

*There is more than 1 version of this model.  
Page down to identify the version you have.*

**DESCRIPTION**

- Metal construction with various finishes identified by suffix
- Hydrolock® quick connect installation
- Pullout spray with 68" braided hose
- Flexible supply lines with 3/8" compression fittings
- 360° rotating spout provides ability to install handle on either side

**OPERATION**

- Lever style handle
- Operates with less than 5 lbs. of force
- Operates in stream or spray mode in the pullout or retracted position
- When filling a vessel outside the sink, the pause feature conveniently stops the flow of water as the wand passes over the counter top

**FLOW**

- Flow is limited to 2.2 gpm (8.3 L/min) at 60 psi

**CARTRIDGE**

- 1255™ Duralast™ cartridge

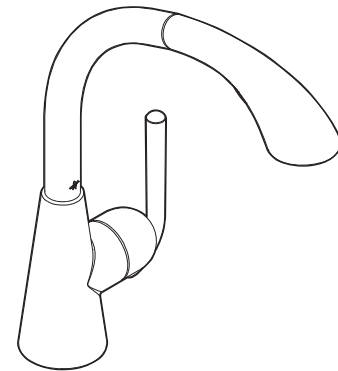
**STANDARDS**

- Third party certified to ASME A112.18.1/CSA B125.1 and all applicable requirements referenced therein including NSF 61/9
- Complies with California Proposition 65 and with the Federal Safe Drinking Water Act
- The backflow protection system in the device consists of two independently operating check valves, a primary and a secondary which prevent backflow

- **ADA**  for lever handle

**WARRANTY**

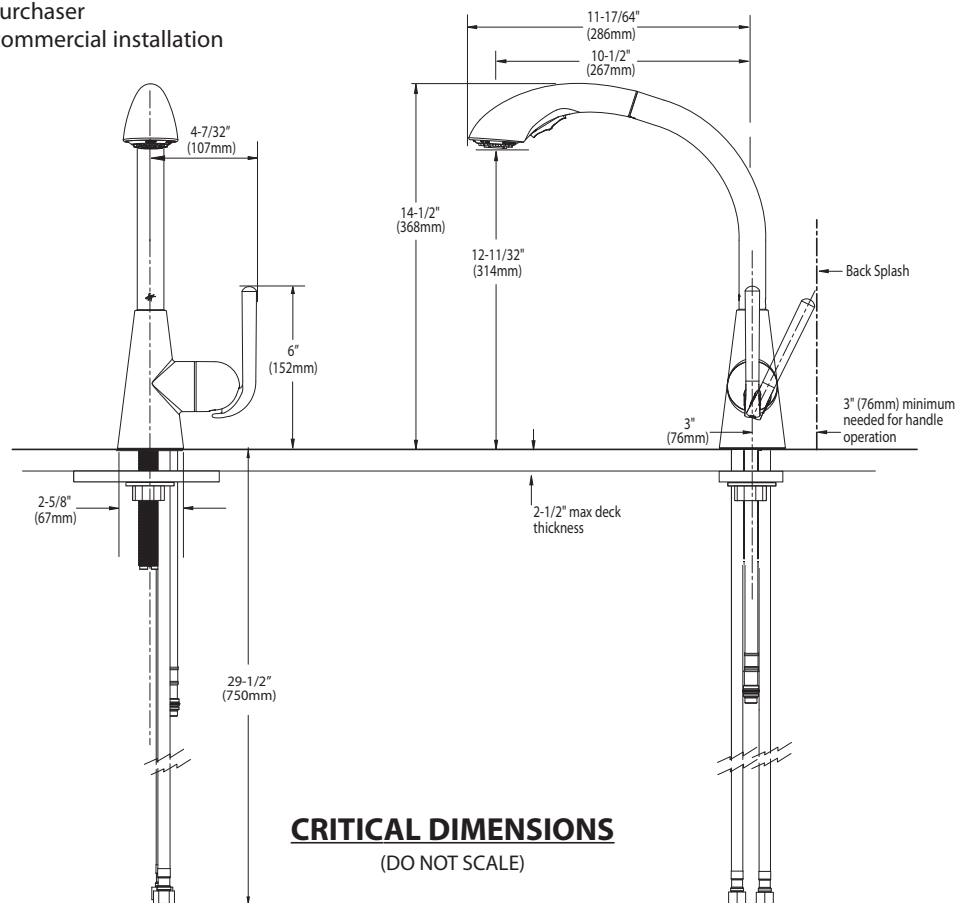
- Lifetime limited warranty against leaks, drips and finish defects to the original consumer purchaser
- 5 year warranty if used in commercial installation



**Ascent™ 90**  
**Single Handle High Arc**  
**Pullout Kitchen Faucet**

**Model:** S71709 series

**NOTE:** THIS FAUCET IS DESIGNED TO BE INSTALLED THRU 1 HOLE, 1-1/2" (38mm) MIN. DIA.



**DESCRIPTION**

- Metal construction with various finishes identified by suffix
- Hydrolock® quick connect installation
- Pullout spray with 68" braided hose
- Flexible supply lines with 3/8" fittings connect directly to supply stop
- 360° rotating spout provides ability to install handle on either side

**OPERATION**

- Lever style handle
- Operates with less than 5 lbs. of force
- Operates in stream or spray mode in the pullout or retracted position
- When filling a vessel outside the sink, the pause feature conveniently stops the flow of water as the wand passes over the counter top

**FLOW**

- Flow is limited to 2.2 gpm (8.3 L/min) at 60 psi

**CARTRIDGE**

- Ceramic disc cartridge
- Non-metallic, non-ferrous and ceramic materials

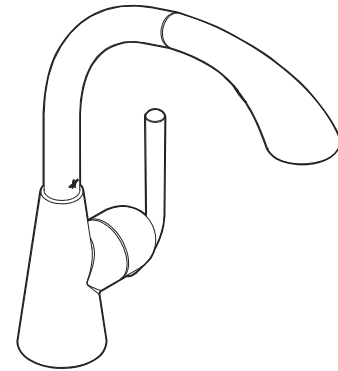
**STANDARDS**

- Third party certified to ASME A112.18.1/CSA B125.1 and all applicable requirements referenced therein including NSF 61/9
- Complies with California Proposition 65 and with the Federal Safe Drinking Water Act
- The backflow protection system in the device consists of two independently operating check valves, a primary and a secondary which prevent backflow

- **ADA**  for lever handle

**WARRANTY**

- Lifetime limited warranty against leaks, drips and finish defects to the original consumer purchaser
- 5 year warranty if used in commercial installation



**Ascent™ 90**  
**Single Handle High Arc**  
**Pullout Kitchen Faucet**

**Model:** S71709 series

**NOTE:** THIS FAUCET IS DESIGNED TO BE INSTALLED THRU 1 HOLE, 1-1/2" (38mm) MIN. DIA.

