

There is more than 1 version of this model.
Page down to identify the version you have.

DESCRIPTION

- Metal construction with various finishes identified by suffix
- Hydrolock® quick connect installation
- Pullout spray with 68" braided hose
- Flexible supply lines with 3/8" compression fittings
- 360° rotating spout provides ability to install handle on either side

OPERATION

- Lever style handle
- Operates with less than 5 lbs. of force
- Operates in stream or spray mode in the pullout or retracted position

FLOW

- Flow is limited to 2.2 gpm (8.3 L/min) at 60 psi

CARTRIDGE

- 1255™ Duralast™ cartridge

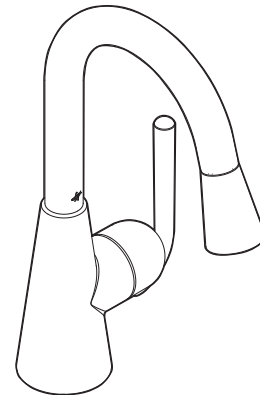
STANDARDS

- Third party certified to ASME A112.18.1/CSA B125.1 and all applicable requirements referenced therein including NSF 61/9
- Complies with California Proposition 65 and with the Federal Safe Drinking Water Act
- The backflow protection system in the device consists of two independently operating check valves, a primary and a secondary which prevent backflow

- **ADA**  for lever handle

WARRANTY

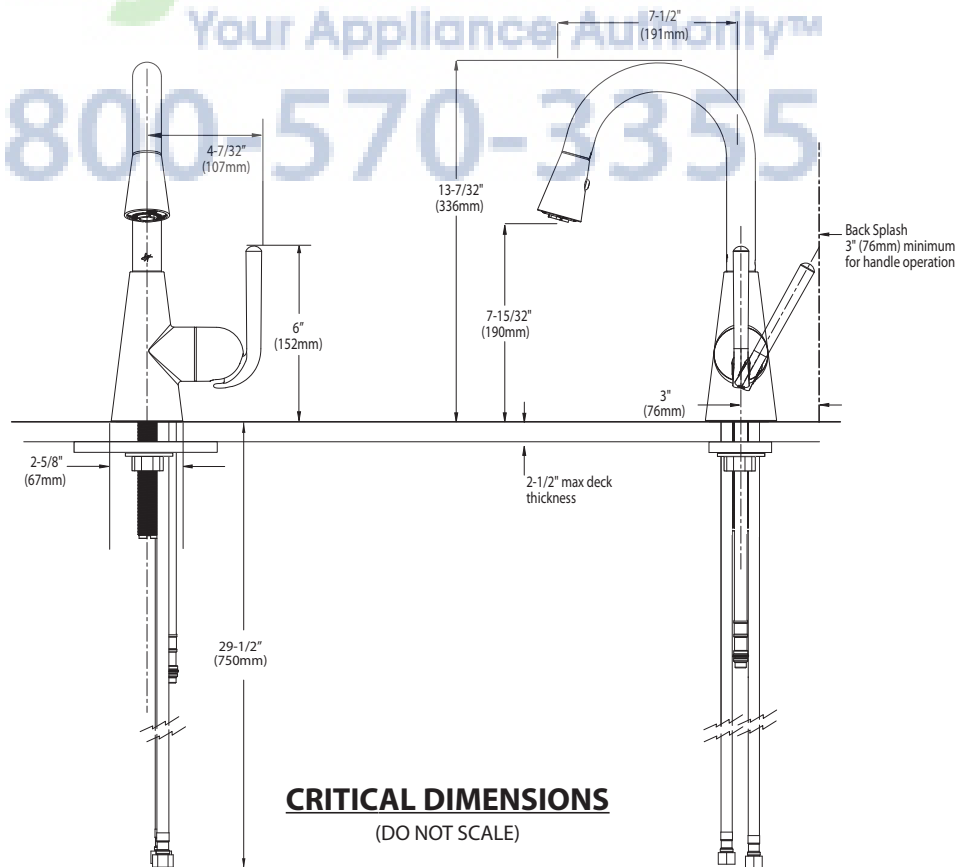
- Lifetime limited warranty against leaks, drips and finish defects to the original consumer purchaser
- 5 year warranty if used in commercial installation



Ascent™
Single Handle High Arc
Pullout Bar/Prep Faucet

Model: S61708 series

NOTE: THIS FAUCET IS DESIGNED TO BE INSTALLED THRU 1 HOLE, 1-1/2" (38mm) MIN. DIA.



DESCRIPTION

- Metal construction with various finishes identified by suffix
- Hydrolock® quick connect installation
- Pullout spray with 68" braided hose
- Flexible supply lines with 3/8" fittings connect directly to supply stop
- 360° rotating spout provides ability to install handle on either side

OPERATION

- Lever style handle
- Operates with less than 5 lbs. of force
- Operates in stream or spray mode in the pullout or retracted position

FLOW

- Flow is limited to 2.2 gpm (8.3 L/min) at 60 psi

CARTRIDGE

- Ceramic disc cartridge
- Non-metallic, non-ferrous and ceramic materials

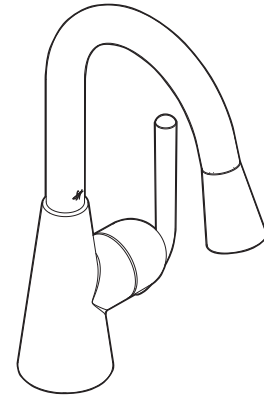
STANDARDS

- Third party certified to ASME A112.18.1/CSA B125.1 and all applicable requirements referenced therein including NSF 61/9
- Complies with California Proposition 65 and with the Federal Safe Drinking Water Act
- The backflow protection system in the device consists of two independently operating check valves, a primary and a secondary which prevent backflow

- **ADA**  for lever handle

WARRANTY

- Lifetime limited warranty against leaks, drips and finish defects to the original consumer purchaser
- 5 year warranty if used in commercial installation



Ascent™
Single Handle High Arc
Pullout Bar/Prep Faucet

Model: S61708 series

NOTE: THIS FAUCET IS DESIGNED TO BE INSTALLED THRU 1 HOLE, 1-1/2" (38mm) MIN. DIA.

