



Buy it for looks. Buy it for life.®

Specifications

SINK DESCRIPTION

- Manufactured of 18 gauge stainless steel
- Dimensions: Larger bowl is 14" x 18" x 8"; Smaller bowl is 14" x 16" x 8"
- Has two 3-1/2" diameter recessed drain openings
- Soundshield undercoating maximizes sound deadening and inhibits condensation
- Made in U.S.A.
- Silicone sealant not provided
- Includes mounting bracket
- Other standard mounting hardware not included

INSTALLATION

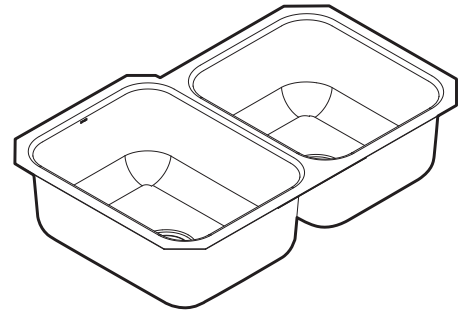
- Template enclosed with sink
- Template ordering number 22542

STANDARDS

- Third party certified to ASME A112.19.3/CSA B45.4 and all applicable specifications referenced therein

WARRANTY

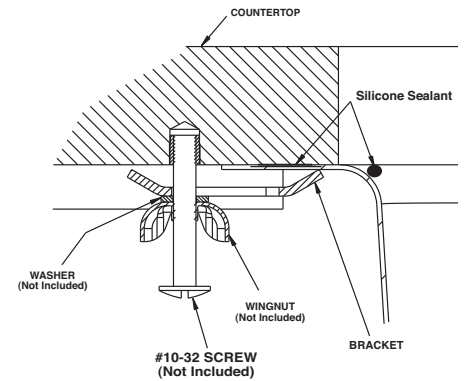
- Lifetime limited warranty against material or manufacturing defects



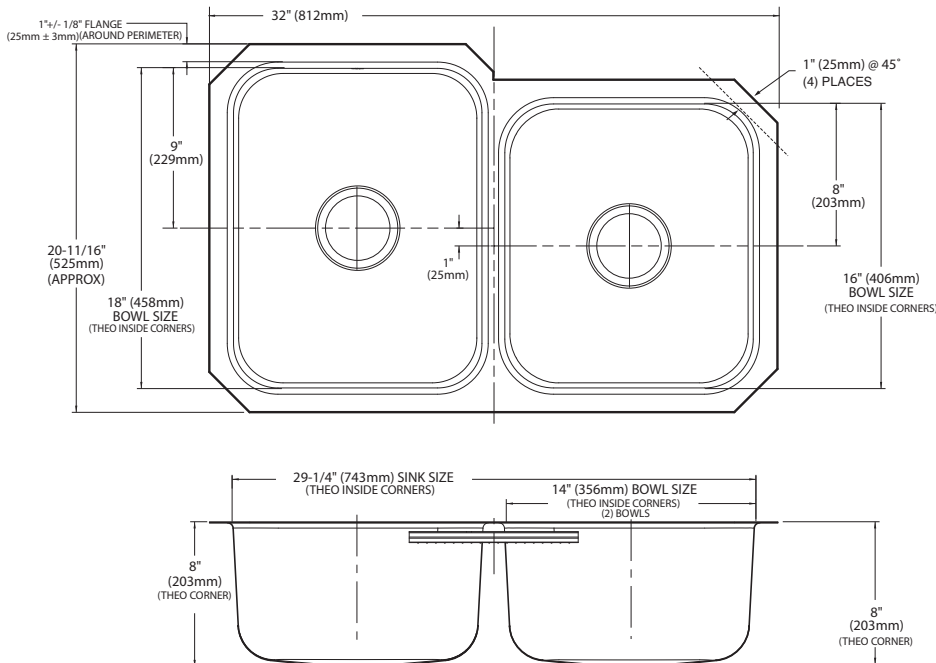
Lancelot® Undermount Double Bowl Sink

Model: S22397

(UMTLSRD-29" x 18" x 8")



Installation Detail



CRITICAL DIMENSIONS

(DO NOT SCALE)

FOR MORE INFORMATION CALL: 1-800-BUY-MOEN

www.moen.com