



Buy it for looks. Buy it for life.®

# Specifications

## SINK DESCRIPTION

- Manufactured of 18 gauge stainless steel
- The two bowls of equal size are 14" x 16" x 8"
- The sink ledge has four fixture mounting holes, 1-1/2" in diameter and 4" on center
- Has one 3-1/2" diameter recessed drain opening in each bowl
- Soundshield undercoating maximizes sound deadening and inhibits condensation
- Made in U.S.A.
- Includes all necessary mounting hardware

## CUT OUT DIMENSIONS

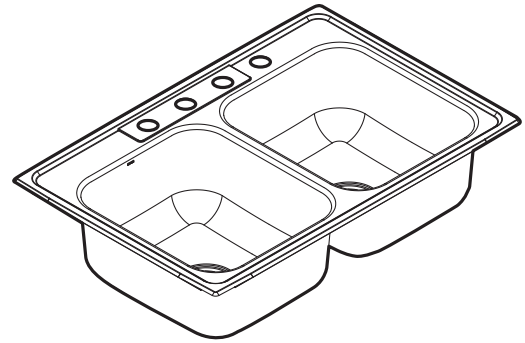
- Cut out dimensions are 32-3/8" x 21-3/8", with a 3/8" corner radius
- A tolerance of plus or minus 1/16" is acceptable

## STANDARDS

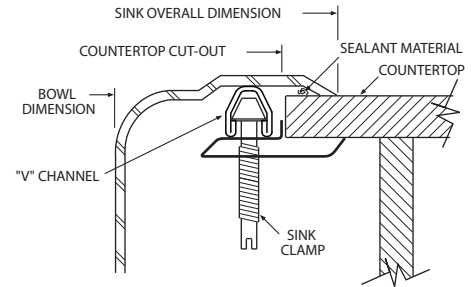
- Third party certified to ASME A112.19.3/CSA B45.4 and all applicable specifications referenced therein

## WARRANTY

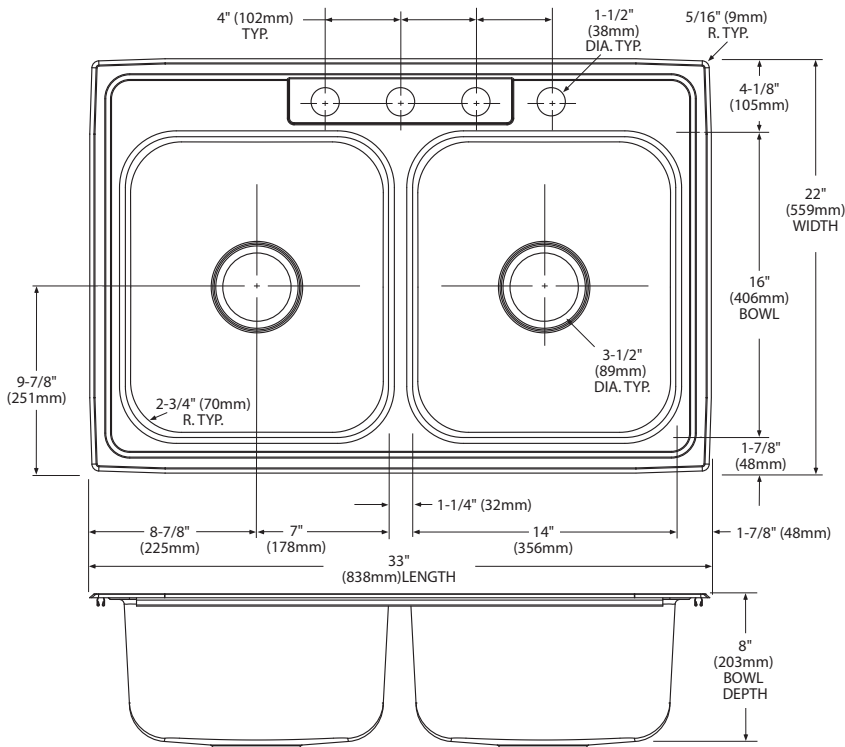
- Lifetime limited warranty against material or manufacturing defects



**Lancelot®**  
**Double Bowl Drop-In Sink**  
**Model: S22395**  
**(LDE- 33" x 22"- 4)**



### Installation Detail



## CRITICAL DIMENSIONS

(DO NOT SCALE)