



Buy it for looks. Buy it for life.®

Specifications

SINK DESCRIPTION

- Manufactured of 16 gauge stainless steel
- The bowl is a minimum of 14" x 18" x 10"
- Has one 3-1/2" diameter recessed drain opening
- SoundShield undercoating maximizes sound deadening and inhibits condensation
- Made in U.S.A.
- Silicone sealant not provided. Includes mounting bracket. Other standard mounting hardware not included

INSTALLATION

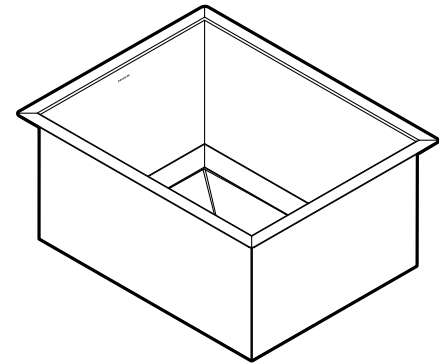
- Template enclosed with sink.
- Template ordering number 22540.

STANDARDS

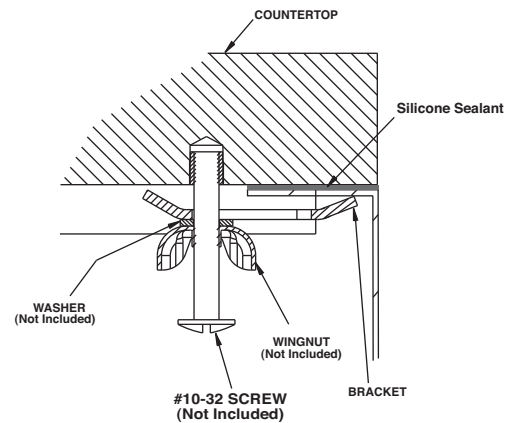
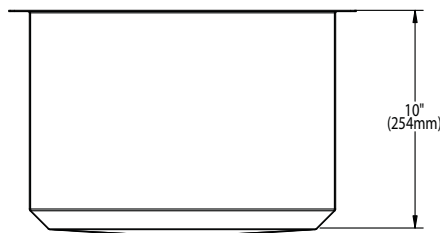
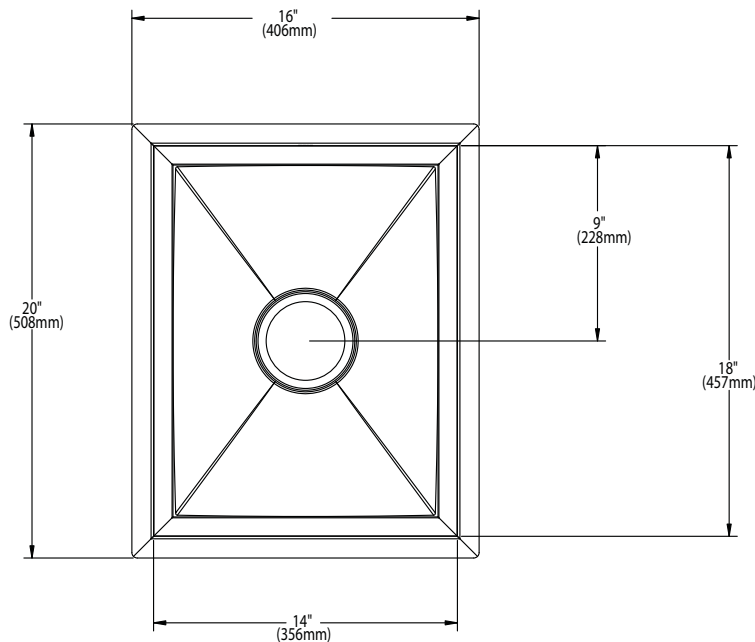
- Third party certified to ASME A112.19.3/CSA B45.4 and all applicable specifications referenced therein

WARRANTY

- Limited lifetime warranty against material or manufacturing defects



Lancelot® Professional Undermount Sink
Model: S22381
(UMTL-1418-10)



Installation Detail

CRITICAL DIMENSIONS

(DO NOT SCALE)

FOR MORE INFORMATION CALL: 1-800-BUY-MOEN

www.moen.com