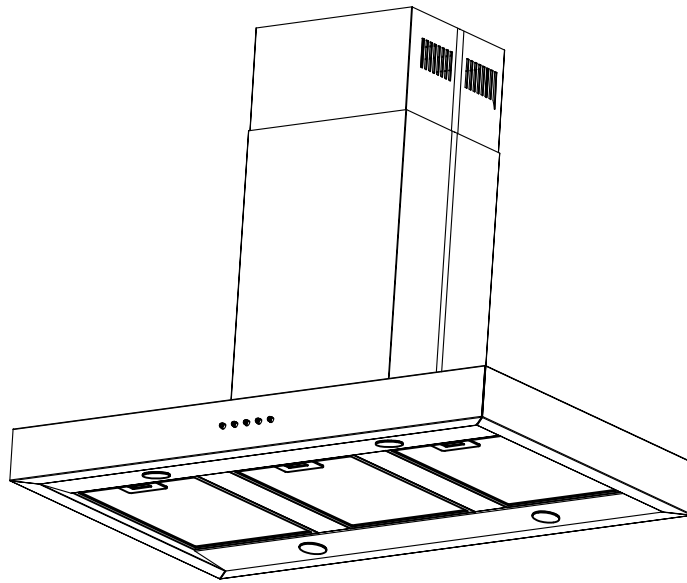


# Use, Care, and Installation Guide

## Roma Island

ZRM-E36AS

ZRM-E42AS



Model number: \_\_\_\_\_

Serial Number: \_\_\_\_\_



**SAFETY NOTICE** ..... 2-3

**LIST OF MATERIALS** ..... 4

**INSTALLATION**

    Ducting Calculation Sheet ..... 5

    Mounting Height & Clearance ..... 6

    Ducting Options ..... 7

    Hood Specifications ..... 8

    Mounting the Range Hood ..... 9

    Mounting the Hood and Duct Cover ..... 10

    Ductless Recirculation ..... 11

**CONTROLS** ..... 12

**MAINTENANCE**

    Cleaning and Installing Filters ..... 13

    Lights ..... 14

**TROUBLESHOOTING** ..... 15

**LIST OF PARTS AND ACCESSORIES** ..... 16

**Important Safety Notice**

**WARNING**

TO REDUCE THE RISK OF FIRE OR ELECTRIC SHOCK, DO NOT USE THIS FAN WITH ANY SOLID-STATE CONTROL DEVICE.

**WARNING**

TO REDUCE THE RISK OF FIRE ELECTRIC SHOCK, OR INJURY TO PERSONS, OBSERVE THE FOLLOWING:

- a. Use this unit only in the manner intended by the manufacturer, if you have questions, contact the manufacturer.
- b. Before servicing or cleaning unit, switch power off at service panel and lock panel to prevent power from being switched on accidentally. When the service disconnecting means cannot be locked, securely fasten a prominent warning device, such as a tag, to the service panel.

**CAUTION**

For general ventilating use only. Do not use to exhaust hazardous or explosive materials and vapors. Take care when using cleaning agents or detergents. Suitable for use in household cooking area.

**WARNING**

TO REDUCE THE RISK OF RANGE TOP GREASE FIRE:

- a. Never leave surface units unattended at high settings. Boilovers cause smoking and greasy spillovers that may ignite. Heat oils slowly on low or medium settings.
- b. Always turn hood ON when cooking at high heat or when flaming food
- c. Clean ventilating fans frequently. Grease should not be allowed to accumulate on fan or filter.
- d. Use proper pan size. Always use cookware appropriate for the size of the surface element.
- e. Keep fan, filters and grease laden surfaces clean.
- f. Use high setting on hood only when necessary.
- g. Don't leave hood unattended when cooking.
- h. Always use cookware and utensils appropriate for the type of and amount of food being prepared.

**WARNING**

TO REDUCE THE RISK OF INJURY TO PERSONS IN THE EVENT OF A RANGE TOP FIRE, OBSERVE THE FOLLOWING:

- a. SMOTHER FLAMES with a close-fitting lid, cookie sheet, or metal tray, then turn off the burner. BE CAREFUL TO PREVENT BURNS. If the flames do not go out immediately, EVACUATE AND CALL THE FIRE DEPARTMENT.
- b. NEVER PICK UP A FLAMING PAN – You may be burned.
- c. DO NOT USE WATER, including wet dishcloths or towels – a violent steam explosion will result.
- d. Use an extinguisher ONLY if:
  - 1. You know you have a Class ABC extinguisher, and you already know how to operate it.
  - 2. The fire is small and contained in the area where it started.
  - 3. The fire department is being called.
  - 4. You can fight the fire with your back to an exit

**WARNING**

TO REDUCE THE RISK OF FIRE, ELECTRIC SHOCK OR INJURY TO PERSONS, OBSERVE THE FOLLOWING:

- a. Installation work and electrical wiring must be done by qualified person(s) in accordance with all applicable codes and standards. Including fire-rated construction.
- b. Sufficient air is needed for power combustion and exhausting of gases through the flue (chimney) of fuel burning equipment to prevent back-drafting. Follow the heating equipment manufacturer's guideline and safety standards such as those published by the National Fire Protection Association (NFPA) and the American Society for Heating, Refrigeration and Air Conditioning Engineers (ASHRAE) and the local code authorities.
- c. When cutting or drilling into wall or ceiling, do not damage electrical wiring and other hidden utilities.
- d. Ducted fans must always vent to the outdoors.
- e. If this unit is to be installed over a tub or shower, it must be marked as appropriate for the application and be connected to a GFI (Ground Fault Interrupter protected branch circuit).
- g. NEVER place a switch where it can be reached from a tub or shower.
- h. Make sure the power is off before installing, wiring or maintenancing.

**WARNING**

TO REDUCE THE RISK OF FIRE, USE ONLY METAL DUCTWORK.

**CAUTION**

To reduce risk of fire and to properly exhaust air outside - Do not vent exhaust air into spaces within walls, ceilings, attics, crawl spaces or garages.

**OPERATION**

Always leave safety grilles and filters in place. Without these components, operating blowers could catch onto hair, fingers and loose clothing.

The manufacturer declines all responsibility in the event of failure to observe the instructions given here for installation, maintenance and suitable use of the product. The manufacturer further declines all responsibility for injury due to negligence and the warranty of the unit automatically expires due to improper maintenance.

**\*NOTE: Please check [www.zephyronline.com](http://www.zephyronline.com) for revisions before doing any custom work.**

**ELECTRICAL REQUIREMENTS**

**Important:**

Observe all governing codes and ordinances.

It is the customer's responsibility:

- To contact a qualified electrical installer.
- To assure that the electrical installation is adequate and in conformance with National Electrical Code, ANSI/NFPA 70 latest edition\* or CSA standards C22.1-94, Canadian Electrical Code, Part 1 and C22.2 No.0-M91 - latest edition\*\* and all local codes and ordinances.

If codes permit and a separate ground wire is used, it is recommended that a qualified electrician determine that the ground path is adequate.

Do not ground to a gas pipe.

Check with a qualified electrician if you are not sure the range hood is properly grounded.

Do not have a fuse in the neutral or ground circuit.

\*National Fire Protection Association Batterymarch Park, Quincy, Massachusetts 02269

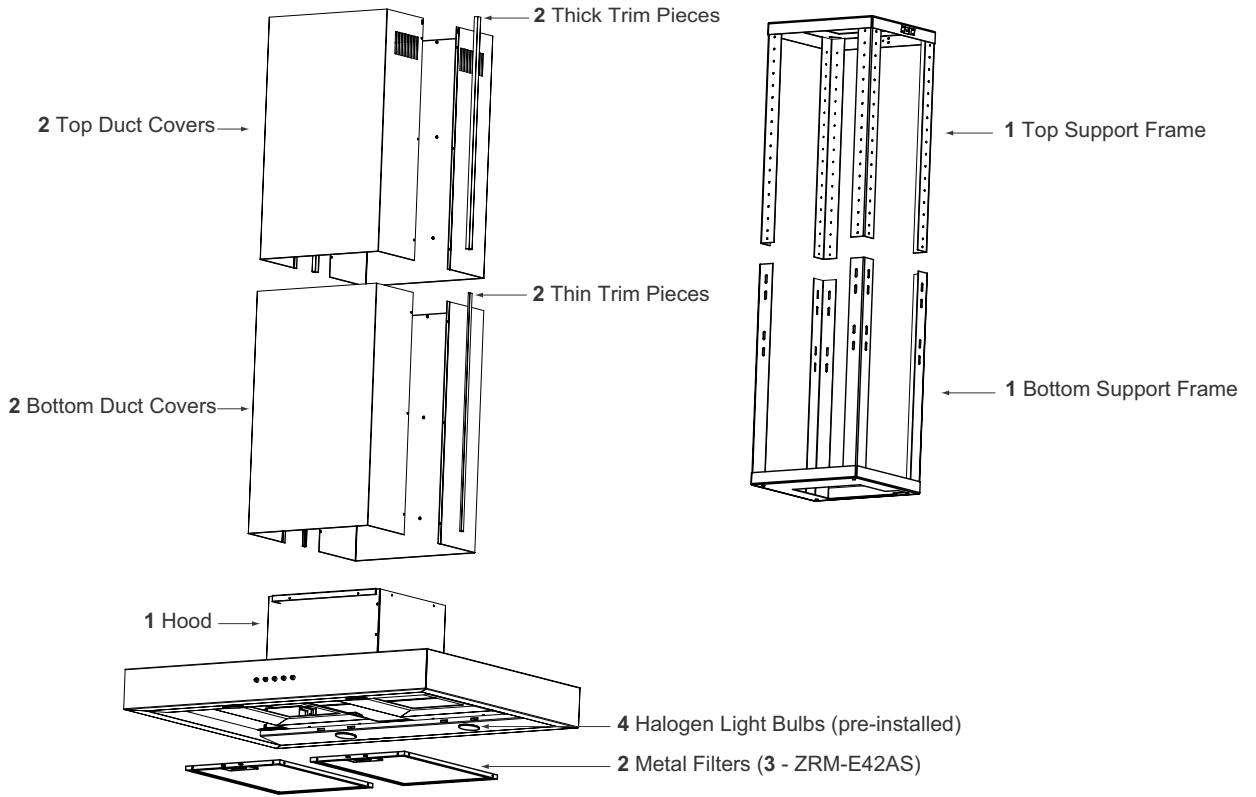
\*\* CSA International 8501 East Pleasant Valley Road, Cleveland, Ohio 44131-5575

This appliance requires a 120V 60Hz electrical supply and connected to an individual properly grounded branch circuit protected by a 15 or 20 ampere circuit breaker or time delay fuse. Wiring must be 2 wire with ground. Please also refer to Electrical Diagram on product.

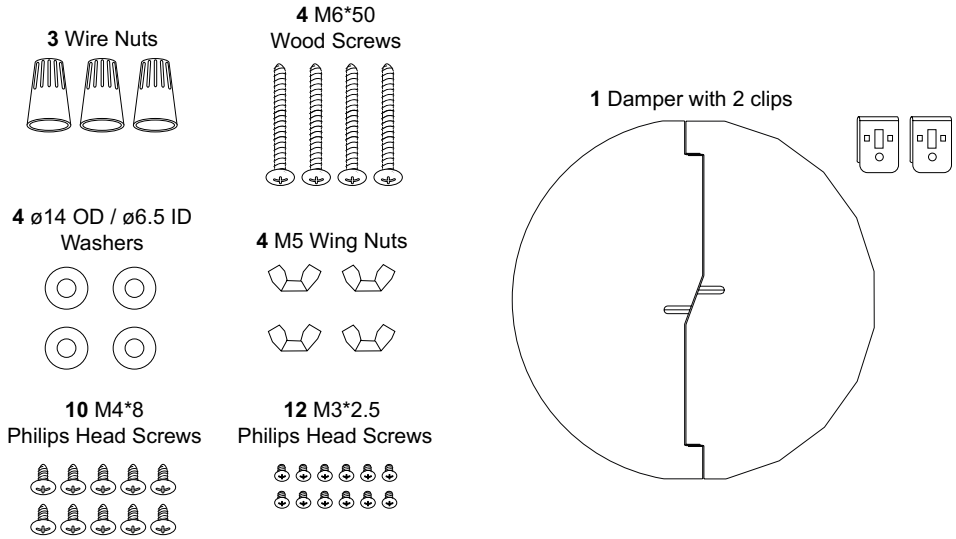
A cable locking connector (not supplied) might also be required by local codes. Check with local requirements, purchase and install appropriate connector if necessary.

List of Materials

MODEL: ZRM-E36AS, ZRM-E42AS



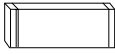
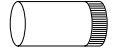

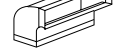


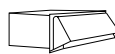




HARDWARE PACKAGE CONTENTS



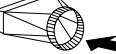




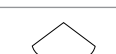




note: hardware is in metric measurements.

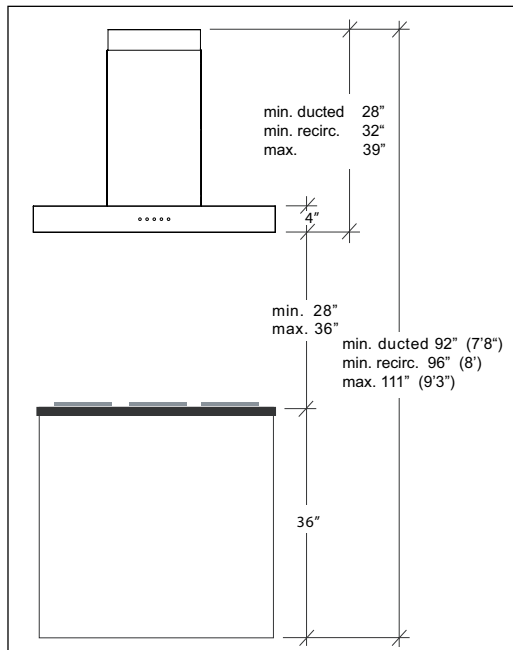
No Ducting or Installation Tools Included.

# Installation – Ducting Calculation Sheet

Duct pieces		Equivalent number length x used =	Total
	3-1/4" x 10" Rect., straight	1 Ft. x ( ) =	Ft.
	7" Round, straight	1 Ft. x ( ) =	Ft.
	8" Round, straight	1 Ft. x ( ) =	Ft.
	3-1/4" x 10" Rect. 90° elbow	15 Ft. x ( ) =	Ft.
	3-1/4" x 10" Rect. 45° elbow	9 Ft. x ( ) =	Ft.
	3-1/4" x 10" Rect. 90° flat elbow	24 Ft. x ( ) =	Ft.
	3-1/4" x 10" Rect. wall cap with damper	30 Ft. x ( ) =	Ft.
	3-1/4" x 10" Rect. to 6" round transition	5 Ft. x ( ) =	Ft.
	3-1/4" x 10" Rect. to 6" round transition 90° elbow	20 Ft. x ( ) =	Ft.
	6" Round, 90° elbow	15 Ft. x ( ) =	Ft.
	6" Round, 45° elbow	9 Ft. x ( ) =	Ft.
Subtotal column 1 =			Ft.

Duct pieces		Equivalent number length x used =	Total
	6" - 8" Round wall cap with damper	30 Ft. x ( ) =	Ft.
	6" - 8" Round, roof cap	30 Ft. x ( ) =	Ft.
	6" round to 3-1/4" x 10" rect. transition	1 Ft. x ( ) =	Ft.
	6" round to 3-1/4" x 10" rect. transition 90° elbow	16 Ft. x ( ) =	Ft.
	7" or 8" Round, 90° elbow	15 Ft. x ( ) =	Ft.
	7" or 8" Round, 45° elbow	9 Ft. x ( ) =	Ft.
	7" or 8" Round wall cap with damper	30 Ft. x ( ) =	Ft.
	7" or 8" Round, roof cap	30 Ft. x ( ) =	Ft.
	7" round to 3 1/4" x 10" rect. transition	8 Ft. x ( ) =	Ft.
	7" round to 3-1/4" x 10" rect. transition 90° elbow	23 Ft. x ( ) =	Ft.
Subtotal column 2 =			Ft.
Subtotal column 1 =			Ft.
Total ductwork =			Ft.

**Maximum Duct Length:** For satisfactory air movement, the total duct length of a 3 1/4" x 10" rectangular 6" or 7" diameter round duct should not exceed 100 equivalent feet.



**Note:** Bottom duct covers may be cut down by 4" to expose top duct cover louver holes. This may be necessary if the customer is recirculating the hood, has an 8' ceiling and wants the hood mounted between 29 - 32 inches above the cooking surface.

## DUCTING

A minimum of 6" round or 3-1/4 x 10" rectangular duct must be used to maintain maximum air flow efficiency.

Always use rigid type metal ducts only. Flexible ducts could restrict air flow by up to 50%.

Use calculation worksheet to compute total duct work.

ALWAYS, when possible, reduce the number of transitions and turns. If a long duct run is required, increase duct size from 6" to 7" or 8".

If turns or transitions are required: Install as far away from opening and as far apart, between 2, as possible.

Minimum mount height between range top to hood bottom should be no less than 28".

Maximum mount height should be no higher than 36".

It is important to install the hood at the proper mounting height. Hoods mounted too low could result in heat damage and fire hazard; while hoods mounted too high will be hard to reach and will lose its performance and efficiency.

If available, also refer to range manufacturer's height clearance requirements and recommended hood mounting height above range. Always check your local codes for any differences.

### Mounting Height (Recirculating)

Minimum Ceiling Height 8'. Hood mounted 28" above cooking surface; 64" from floor.

Maximum Ceiling Height 9'3". Hood mounted 36" above cooking surface; 72" from floor.

### Mounting Height (Ducted)

7'8". Hood mounted 28" above cooking surface; 64" from floor.

Duct cover extension kit available for ceiling heights up to 12 feet. Turn to page 16 for part number and ordering information.

### DAMAGE-SHIPMENT / INSTALLATION:

- Please fully inspect unit for damage before installation.
- If the unit is damaged in shipment, return the unit to the store in which it was bought for repair or replacement.
- If the unit is damaged by the customer, repair or replacement is the responsibility of the customer.
- If the unit is damaged by the installer (if other than the customer), repair or replacement must be made by arrangement between customer and installer.

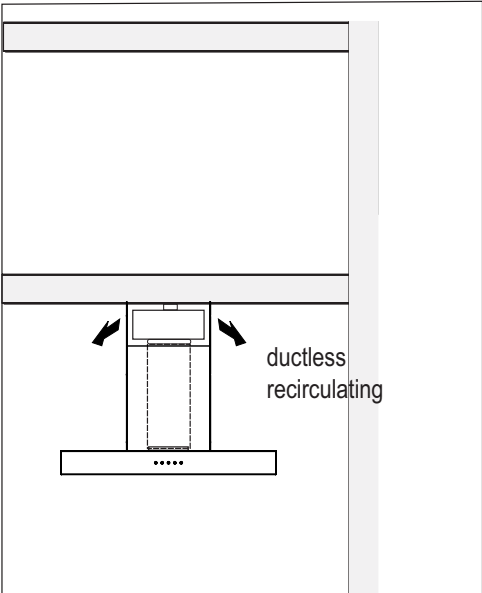
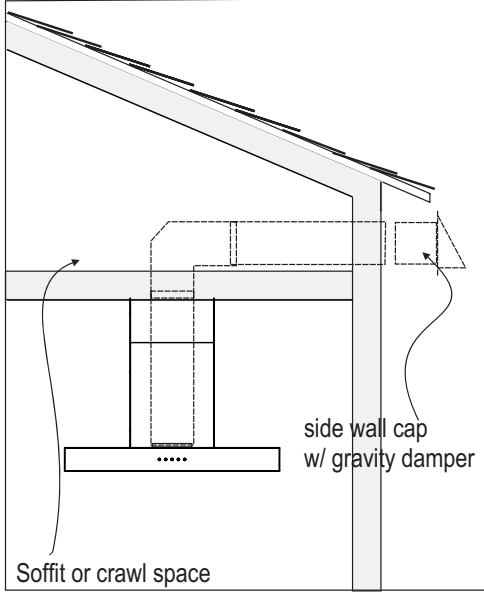
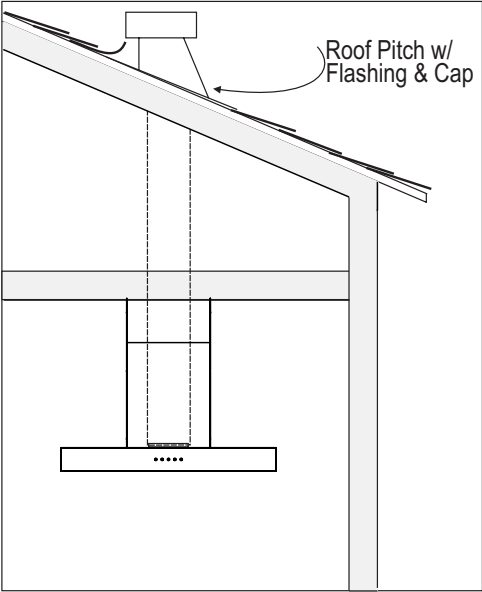
**WARNING FIRE HAZARD**

NEVER exhaust air or terminate duct work into spaces between walls, crawl spaces, ceiling, attics or garages. All exhaust must be ducted to the outside, unless using the recirculating option.

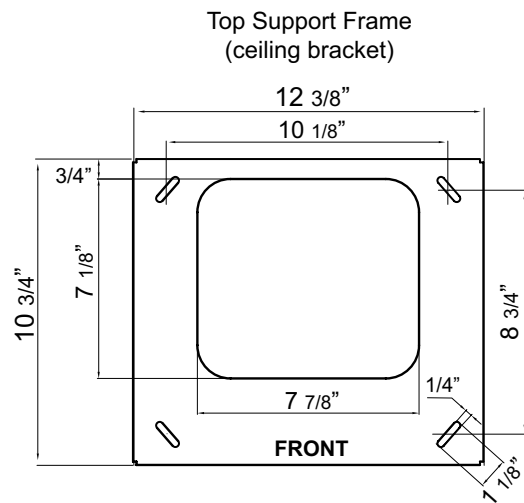
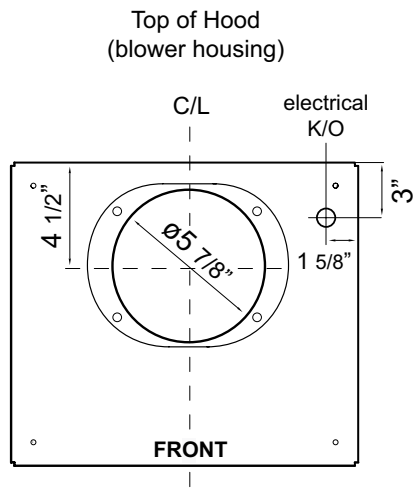
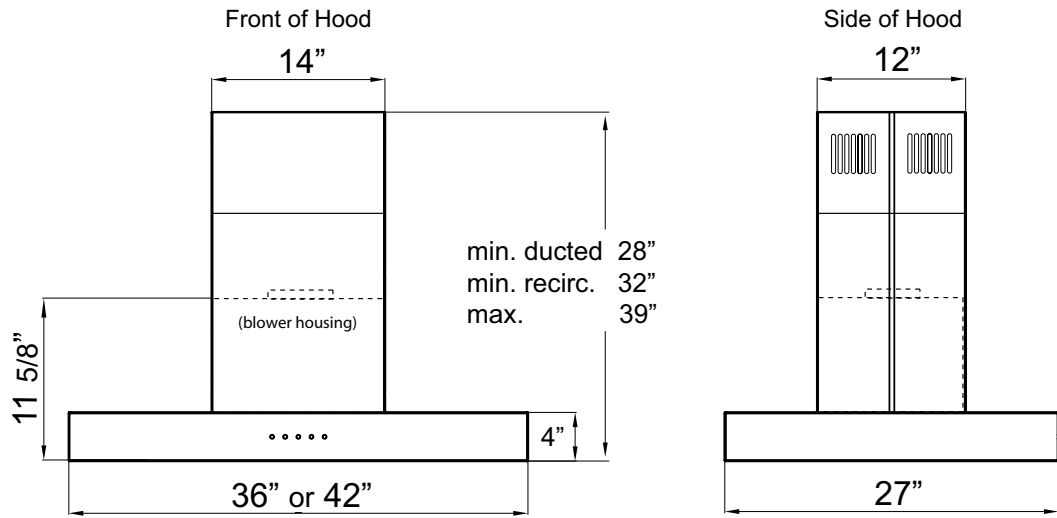
Use single wall rigid Metal ductwork only.

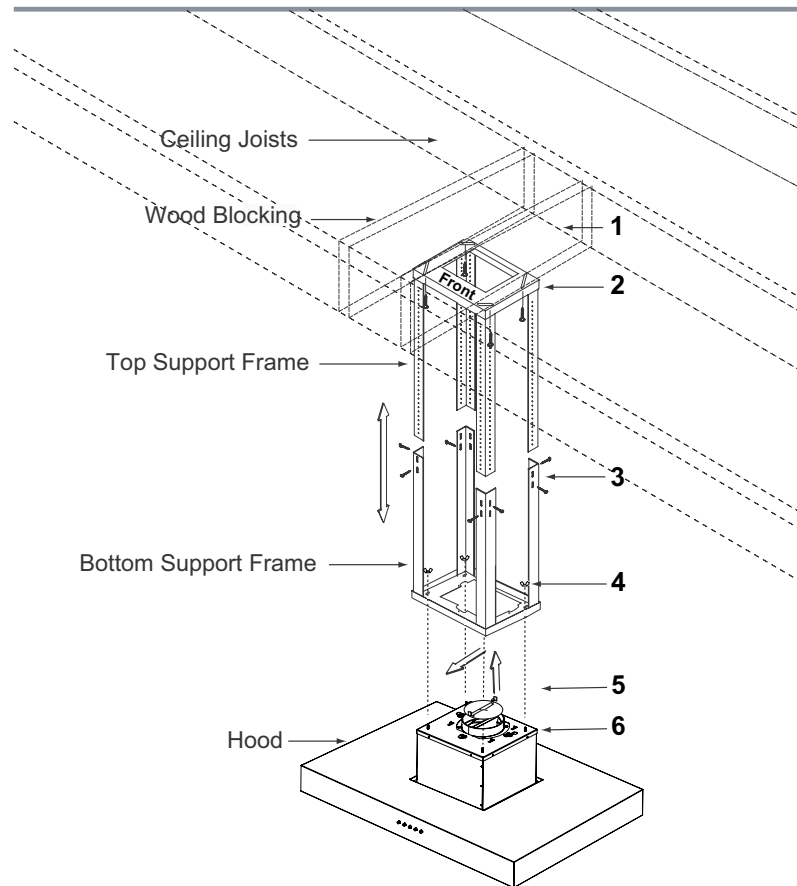
Fasten all connections with sheet metal screws and tape all joints w/ certified Silver Tape or Duct Tape.

**Some Ducting Options**



# Installation – Hood Specifications



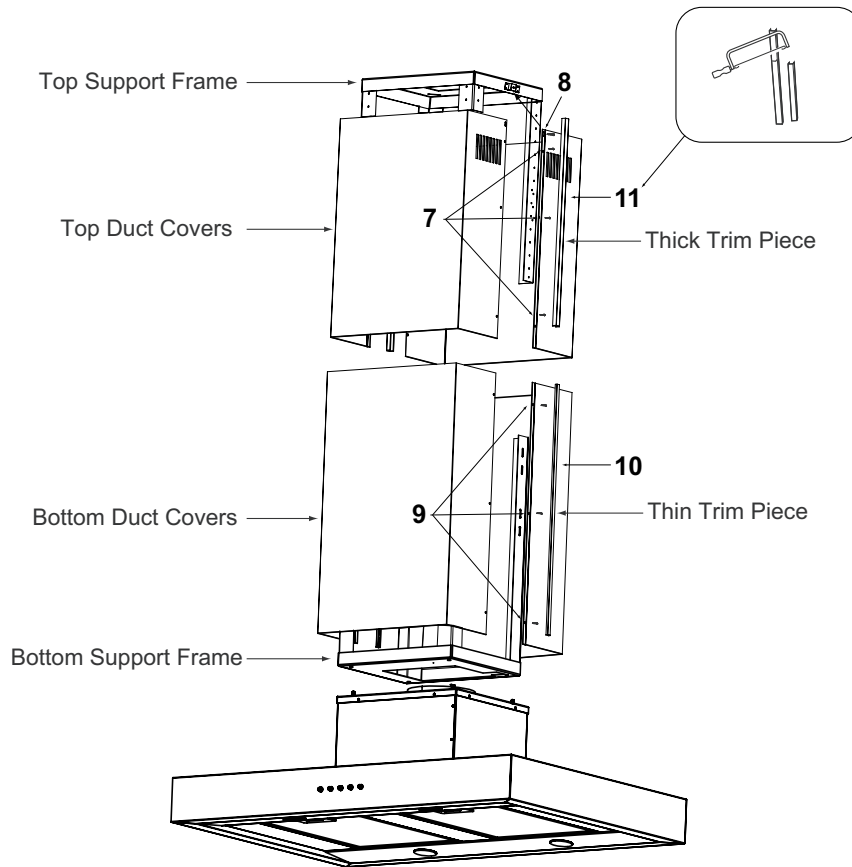


**⚠ CAUTION:** At least two installers are required due to the weight and size of the hood.

1. Add and secure wood blocking (*minimum 2 x 4*) onto ceiling joists.
2. Fasten top support frame to desired location on ceiling using 4 2" wood screws with washers. The wider section of the support bracket faces the front of the hood.
3. Determine height requirement and secure bottom support frame to top support frame by using 8 M4\*7 screws. (2 on each angle bracket).
4. Lift hood and align the locking tabs on top of hood with the 3 tab cut-outs on bottom of support frame. Make sure the 4 threaded posts on top of the hood pass through the holes on bottom support frame. Slide hood forward to lock into place.
5. Secure hood to bottom support frame by fastening 4 wing-nuts over the 4 threaded corner posts on top of hood body.
6. Install damper, duct work and electrical. ***If using hood in recirculating mode you must install the air diverter plate before assembling the duct covers. Turn to page 11 for instructions.***  
 Note: Hood is intended to be mounted to a finished ceiling.

**⚠ WARNING:** Electrical wiring must be done by a qualified person(s) in accordance with all applicable codes and standards. This range hood must be properly grounded. Turn off electrical power at service entrance before wiring.

# Installation – Mounting the Hood and Duct Cover



7. Assemble top duct covers (*With louver holes*) over support frame. Use 6 M3\*2.5 screws (*3 on each side*) to secure duct covers to each other (*Larger screw holes on the duct cover lip should overlap the smaller holes*). Note: If using hood in “ducted mode” the top duct covers may be turned upside-down to hide louvered holes.
8. Secure top duct covers to top of support frame using 2 M4\*7 screws.
9. Assemble bottom duct covers over top duct covers and support frame. Use 6 M3\*2.5 screws (*3 on each side*) to secure duct covers to each other (*Larger screw holes on the duct cover lip should overlap the smaller holes*).
10. Insert the 2 thin trim pieces into left and right seams of bottom duct covers. (*1 on each side*)
11. The top duct covers may be shorter than the bottom duct covers. It may be necessary to measure and cut the 2 thick trim pieces before installing them into left and right seams of top duct covers. (*1 on each side*)

Ductless recirculating is intended for applications where an exhaust duct work is not possible to be installed. When converted, the hood functions as a recirculating hood rather than an exhaust hood. Fumes and exhaust from cooking are drawn and filtered by a set of optional charcoal filters. The air is then purified and re-circulated back within the home.

We recommend to ALWAYS exhaust air outside of the home by employing existing or installing new duct work, if possible. The hood is most effective and efficient as an exhaust hood. Only when the exhaust option is not possible should you recourse to converting the hood into a recirculating hood.

When converted to be a recirculating hood, a set of charcoal filters are required on top of its standard Metal Filter set. Order according to its Part number below. The standard Metal Filters are intended to capture residue from cooking and the optional charcoal filters help to purify fumes exhausted from cooking for re-circulation.

**RECIRCULATING KIT (REQUIRED IF NO DUCTING IS USED)**

Kit includes charcoal filters and air diverter plate.

Hood Model	Part No.	Filters in Pkg.
ZRA-E36AS	ZRC-0150	2
ZRA-E42AS	ZRC-0151	3

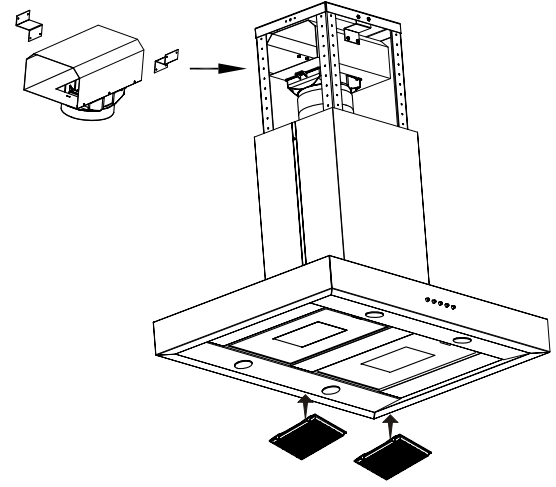
1. Assemble mounting brackets and plastic collar onto air diverter plate as shown in the image to the right. Secure air diverter plate to top support frame using 4 screws. Air diverter openings should face the louver holes of the top duct cover. Run 6" ducting from top of hood to plastic collar on air diverter plate and seal with aluminum duct tape.

Note: Damper is not necessary when using hood in recirculating mode.

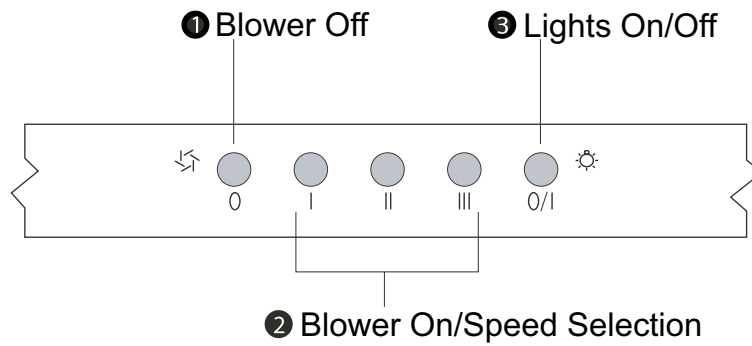
2. Remove metal filters from hood. Clip charcoal filters onto charcoal filter brackets under the hood body.
3. Re-install metal filters.

Charcoal filters should be replaced every 3 - 4 months based off 1 hour of cooking per day, do not wash charcoal filters.

Charcoal Filter Dimensions:  
 9in x 6 3/8in  
 228mm x 162mm



# Controls



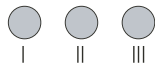
## 1 Blower Off

The blower will be switched off by pressing:



## 2 Blower On/Speed Selection

Switch blower on and select speeds 1 - 3 by pressing:



## 3 Lights On/Off

Switch lights on and off by pressing:



**SURFACE MAINTENANCE:**

Clean periodically with hot soapy water and clean cotton cloth. Do not use corrosive or abrasive detergent , or steel wool/scouring pads which will scratch and damage surface.

For heavier soil use liquid degreaser.

After cleaning it is recommended that you use non-abrasive stainless steel polish/cleaners, to polish and buff out the stainless luster and grain. Always scrub lightly, with clean cotton cloth, and with the grain.

Do not use any product containing chlorine bleach. Do not use “orange” cleaners.

**Metal Filters**

The metal filters installed by the factory are intended to filter out residue and grease from cooking. They need not be replaced on a regular basis but are required to be kept clean.

Filters should be cleaned after every 30 hours of use or once a month.

Remove and clean by hand or in dishwasher on low heat. Spray degreasing detergent and leave to soak if heavily soiled.

Dry filters and re-install before using hood.

**Replacing Metal Filters**

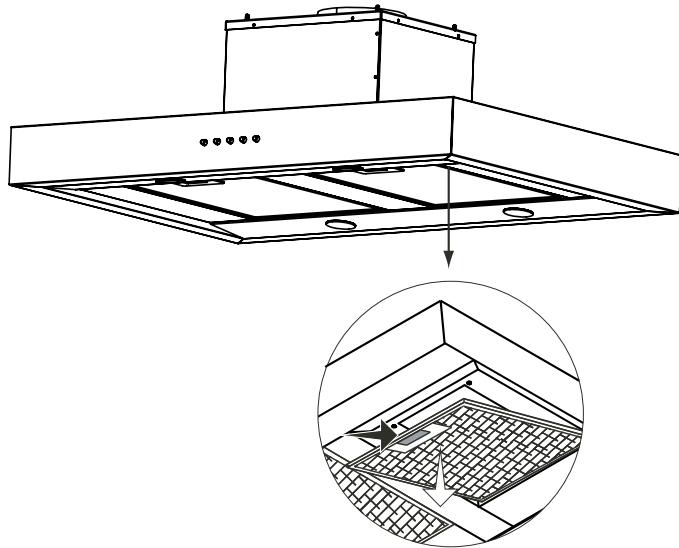
Should filters wear out due to age and prolonged use, replace with following part number:

Hood Model:	Part No.	Qty. to Order.
ZRM-E36AS	50200018	2
ZRM-E42AS	50200018	3

Replace any damaged filter that has punctured or broken mesh or damaged frame.

**Metal Filter Dimensions:**

15 3/4in. x 11in.  
400mm x 279mm



## REPLACING LIGHT BULBS

**CAUTION:** Light bulb becomes extremely hot when turned on.

**DO NOT touch bulb until switched off and cooled. Touching hot bulbs could cause serious burns.**

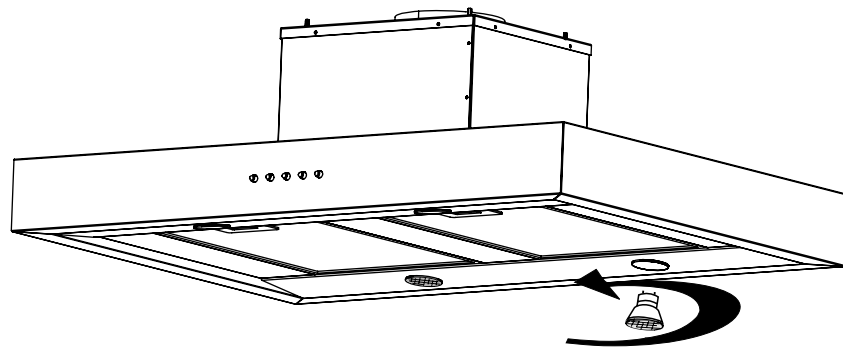
Make sure all power is turned off and bulbs are not hot.

Remove by turning bulb counter clockwise. Note: Bulb does not unscrew; it turns 60 degrees, stops and falls out.

If bulbs are difficult to turn due to prolonged use, firmly attach a glass suction cup approximately the diameter of the bulb or use a rubber/latex glove and turn counter clockwise.

Replacement bulbs are available at specialty lighting stores. Purchase type MR16 (GU-10) 50W halogen.

For Zephyr part numbers please turn to page 16 of the manual.



## TROUBLESHOOTING PROCEDURES FOR ROMA

Issue	Cause	What to do
After installation, the unit doesn't work.	1. The power source is not turned ON.	1. Make sure the circuit breaker and the unit's power is ON.
	2. The power line and the cable locking connector is not connecting properly.	2. Check the power connection with the unit is connected properly.
	3. The switch board and control board wirings are disconnected.	3. Make sure the wirings between the switch board and control board are connected properly.
	4. The switch board or control board is defective.	4. Change the switch board or control board.
Light works, but motor is not turning.	1. The motor is defective, possibly seized.	1. Change the motor.
	2. The thermally protected system detects if the motor is too hot to operate and shuts the motor down.	2. The motor will function properly after the thermally protected system cool down.
	3. Damaged capacitor.	3. Change the capacitor.
	4. The switch board or control board is defective.	4. Change defective part.
The unit is vibrating.	1. The motor is not secure in place.	1. Tighten the motor in place.
	2. Damaged blower wheel.	2. Replace the blower.
	3. The hood is not secured in place.	3. Check the installation of the hood.
	4. The switch board or control board is defective.	4. Change defective part.
The motor is working, but the lights are not.	1. Defective halogen bulb.	1. Change the halogen bulb.
	2. The light bulb is loose.	2. Tighten the light bulb.
The hood is not venting out properly.	1. The hood might be hanging to high from the cook top.	1. Adjust the distance between the cook top and the bottom of the hood within 28" and 36" range.
	2. The wind from the opened windows or opened doors in the surrounding area are affecting the ventilation of the hood.	2. Close all the windows and doors to eliminate the outside wind flow.
	3. Blockage in the duct opening or ductwork.	3. Remove all the blocking from the duct work or duct opening.
	4. The direction of duct opening is against the wind.	4. Adjust the duct opening direction.
	5. Using the wrong size of ducting.	5. Change the ducting to at least 6" or higher for the internal blower and 8" or higher for the external blower.
Metal Filter is vibrating.	1. Metal filter is loose.	1. Change the metal filter.

# List of Parts and Accessories

<b>DESCRIPTION</b>	<b>PART#</b>
<b>Replacement Parts</b>	
Light Bulb MR16 (GU10) 50W (each)	Z0B-0020S
Metal Filter (each)	50200018
<b>Optional Accessories</b>	
Recirculating Kit, ZRM-E36AS	ZRC-0150
Recirculating Kit, ZRM-E42AS	ZRC-0151
Replacement Charcoal Filter (each)	Z0F-C002
Duct Cover Extension Kit	Z1C-00RM

To order parts, visit us online at <http://store.zephyronline.com> or call us at 1.888.880.8368

TO OBTAIN SERVICE UNDER WARRANTY:  
or any Service Related Questions, please call:  
1-888-880-8368

**Staple your receipt here.  
Proof of the original purchase  
date is needed to obtain service  
under the warranty.**

**TO OBTAIN SERVICE UNDER WARRANTY:** You must present proof of original purchase date.  
Please keep a copy of your dated proof of purchase (sales slip) in order to obtain service under warranty.

**One Year Service Repair Warranty:**

For one year from date of original purchase, we will provide free of charge, service labor to repair any failed parts or components due to manufacturing defects.

**Two Years Parts Warranty:**

For two years from date of original purchase, we will provide free of charge, nonconsumable replacement parts or components that failed due to manufacturing defects. Consumable parts not covered by this warranty include: Light Bulbs, Metal and Carbon Filters.

**Who is Covered:**

This warranty is extended to the original purchaser for products purchased for ordinary home use in the 48 mainland states, Hawaii and Washington D.C. In Canada and Alaska, this warranty is Limited. There might be costs associated with shipping the products to our designated service locations or you might need to pay service technician's travel costs, to have the appliance repaired in-home.

**This Warranty will be Voided when:**

Product damaged through negligence, misuse, abuse, accident. Improper installation and failure to follow installation instructions. When product is used commercially or other than its intended purpose. Damaged because of improper connection with equipment of other manufacturers. Repaired or modified by anyone other than Zephyr's Authorized Agents.

**What is Not Covered:**

Consumable parts such as light bulbs, filters, and fuses. Services outside of service area and the labor cost incurred in connection with the removal, shipping and reinstallation cost, nor does it cover any other contingent expenses. The natural wear of finish, and wear due to improper maintenance, use of corrosive and abrasive cleaning products, pads, and oven cleaner products. Chips, dents or cracks due to abuse, misuse, freight damage, or improper installation. Service trips to your home to teach you how to use the product. Damage of product caused by accident, fire, floods or act of God.

This warranty is valid in the United States and Canada. It is non-transferable and applies only to the original purchaser and does not extend to subsequent owners of this product. Any applicable implied warranties, including the warranty of merchantability, are limited in duration to a period of express warranty as provided herein beginning with the date of original purchase at retail and, no warranties, whether express or implied, shall apply to this product thereafter.

Have your product proof of purchase with date ready for warranty issues.  
Or write to:

**Zephyr Corporation  
Service and Warranty Department  
395 Mendell Street  
San Francisco, CA 94124**