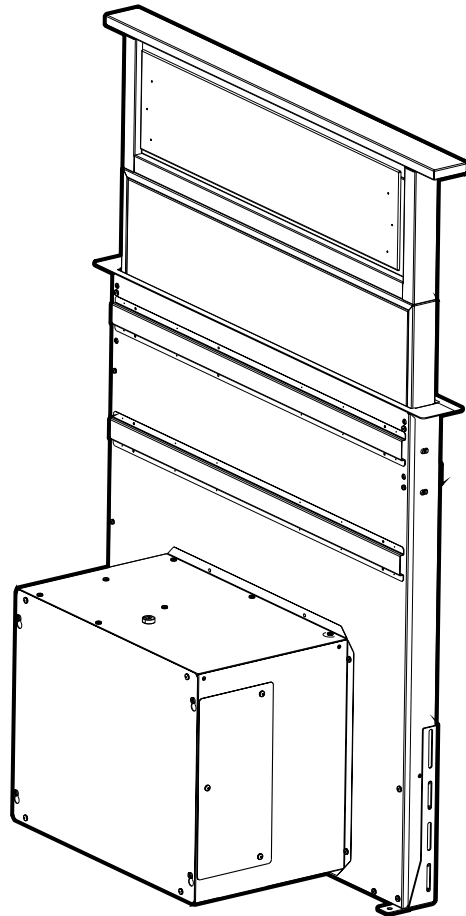


Use, Care, and Installation Guide
Guide d'utilisation, d'entretien et d'installation
Guía de instalación, uso y mantenimiento



READ AND SAVE THESE INSTRUCTIONS
LISEZ CES INSTRUCTIONS ET CONSERVEZ-LES
LEA Y GUARDE ESTAS INSTRUCCIONES

EN	Contents	page	2
FR	Sommaire	page	12
ES	Contenido	página	22

English

Contents

Important safety Notice.....	3
Electrical & Installation requirements	4
List of Materials.....	5
Parts supplied	5
Parts not supplied	5
Product Dimensions.....	5
Location Requirements.....	6
Venting Requirements.....	6
Installation	7
Make electrical connection.....	8
Complete Installation and check operation.....	9
Range hood use.....	9
Range hood care.....	10
Warranty	11

**APPROVED FOR RESIDENTIAL APPLIANCES
FOR RESIDENTIAL USE ONLY
READ AND SAVE THESE INSTRUCTIONS**

**PLEASE READ ENTIRE INSTRUCTIONS BEFORE
PROCEEDING.**

INSTALLATION MUST COMPLY WITH ALL LOCAL CODES.

IMPORTANT: Save these Instructions for the Local
Electrical Inspector's use.

INSTALLER: Please leave these Instructions with this unit
for the owner.

OWNER: Please retain these instructions for future
reference.

Safety Warning: Turn off power circuit at service panel and
lock out panel, before wiring this appliance.

Requirement: 120 V AC, 60 Hz. 15 or 20 A Branch Circuit

READ AND SAVE THESE INSTRUCTIONS

Important Safety Notice

CAUTION

FOR GENERAL VENTILATING USE ONLY. DO NOT USE TO EXHAUST HAZARDOUS OR EXPLOSIVE MATERIALS OR VAPOURS.

WARNING

TO REDUCE THE RISK OF FIRE, ELECTRIC SHOCK, OR INJURY TO PERSONS, OBSERVE THE FOLLOWING:

- A. Use this unit only in the manner intended by the manufacturer. If you have questions, contact the manufacturer.
- B. Before servicing or cleaning the unit, switch power off at service panel and lock service panel disconnecting means to prevent power from being switched on accidentally. When the service disconnecting means cannot be locked, securely fasten a prominent warning device, such as a tag, to the service panel.
- C. Installation work and electrical wiring must be done by qualified person(s) in accordance with all applicable codes & standards, including fire-rated construction.
- D. Sufficient air is needed for proper combustion and exhausting of gases through the flue (Chimney) of fuel burning equipment to prevent back-drafting. Follow the heating equipment manufacturers guideline and safety standards such as those published by the National Fire Protection Association (NFPA), the American Society for Heating, Refrigeration and Air Conditioning Engineers (ASHRAE), and the local code authorities.
- E. When cutting or drilling into wall or ceiling, do not damage electrical wiring and other hidden utilities.
- F. Ducted systems must always be vented to the outdoors.

CAUTION

To reduce risk of fire and to properly exhaust air, be sure to duct air outside - do not vent exhaust air into spaces within walls, ceilings, attics, crawl spaces, or garages.

WARNING

TO REDUCE THE RISK OF FIRE, USE ONLY METAL DUCT WORK.

Install this hood in accordance with all requirements specified.

WARNING

To reduce the risk of fire or electric shock, do not use this hood with any external solid state speed control device.

WARNING

TO REDUCE THE RISK OF A RANGE TOP GREASE FIRE.

- a) Never leave surface units unattended at high settings. Boilovers cause smoking and greasy spillovers that may ignite. Heat oils slowly on low or medium settings.
- b) Always turn hood ON when cooking at high heat or when flambeing food (i.E. Crepes suzette, cherries jubilee, peppercorn beef flambe').
- c) Clean ventilating fans frequently. Grease should not be allowed to accumulate on fan or filter.
- d) Use proper pan size. Always use cookware appropriate for the size of the surface element.

WARNING

TO REDUCE THE RISK OF INJURY TO PERSONS, IN THE EVENT OF A RANGE TOP GREASE FIRE, OBSERVE THE FOLLOWING:^a

- a) SMOTHER FLAMES with a close-fitting lid, cookie sheet, or other metal tray, then turn off the gas burner or the electric element. BE CAREFUL TO PREVENT BURNS. If the flames do not go out immediately, EVACUATE AND CALL THE FIRE DEPARTMENT.
- b) NEVER PICK UP A FLAMING PAN - you may be burned.
- c) DO NOT USE WATER, including wet dishcloths or towels - a violent steam explosion will result.
- d) Use an extinguisher **ONLY** if:
 - 1) You know you have a class ABC extinguisher, and you already know how to operate it.
 - 2) The fire is small and contained in the area where it started.
 - 3) The fire department is being called.
 - 4) You can fight the fire with your back to an exit.

^aBased on "Kitchen Fire Safety Tips" published by NFPA.

OPERATION

a. Always leave safety grills and filters in place. Without these components, operating blowers could catch onto hair, fingers and loose clothing.

The manufacturer declines all responsibility in the event of failure to observe the instructions given here for installation, maintenance and suitable use of the product. The manufacturer further declines all responsibility for injury due to negligence and the warranty of the unit automatically expires due to improper maintenance.

Electrical & Installation requirements

Electrical requirements

IMPORTANT

Observe all governing codes and ordinances.

Ensure that the electrical installation is adequate and in conformance with National Electrical Code, ANSI/NFPA 70 (latest edition), or CSA Standards C22.1-94, Canadian Electrical Code, Part 1 and C22.2 No. 0-M91 (latest edition) and all local codes and ordinances.

If codes permit and a separate ground wire is used, it is recommended that a qualified electrician determine that the ground path is adequate.

A copy of the above code standards can be obtained from:

National Fire Protection Association
One Batterymarch Park
Quincy, MA 02269
CSA International
8501 East Pleasant Valley Road
Cleveland, OH 44131-5575

- A 120 volt, 60 Hz., AC only, 15-amp, fused electrical circuit is required.
- If the house has aluminum wiring, follow the procedure below:
 1. Connect a section of solid copper wire to the pigtail leads.
 2. Connect the aluminum wiring to the added section of copper wire using special connectors and/or tools designed and UL listed for joining copper to aluminum.

Follow the electrical connector manufacturer's recommended procedure. Aluminum/copper connection must conform with local codes and industry accepted wiring practices.

- Wire sizes and connections must conform with the rating of the appliance as specified on the model/serial rating plate. The model serial plate is located on the front of the downdraft vent, above the wiring box cover.
- Wire sizes must conform to the requirements of the National Electrical Code, ANSI/NFPA 70 (latest edition), or CSA Standards C22.1-94, Canadian Electrical Code, Part 1 and C22.2 No. 0-M91 (latest edition) and all local codes and ordinances.

Before installing the hood

NOTE: Downdraft vent is installed directly behind the cooktop.

Install the downdraft vent first, then install the cooktop.

IMPORTANT: Observe all governing codes and ordinances.

- Have a qualified technician install the downdraft vent. It is the installer's responsibility to comply with installation clearances specified on the model/serial rating plate. The model/serial rating plate is located on the front of the downdraft vent above the terminal box cover.
- Downdraft vent location should be away from strong draft areas, such as windows, doors, and strong heating vents or fans.
- Cabinet opening dimensions that are shown must be used. Given dimensions provide minimum clearance.
- Consult the cooktop manufacturer installation instructions before making any cutouts.
- Check that the downdraft vent and cooktop location will clear the cabinet walls, backsplash, and rear wall studs inside the cabinet.
- Check for the minimum distance between the front edge of the countertop and the front edge of the cooktop. The minimum horizontal distance between the overhead cabinets is the same as the width of the installed downdraft vent.
- All openings in ceiling and wall where the downdraft vent will be installed must be sealed.
- Grounded electrical outlet is required. See "Electrical Requirements" section.
- When installing the downdraft vent, the cabinet drawer will need to be removed and the drawer front installed permanently to the cabinet.

Cabinet Construction:

Downdraft vent is designed for use in a cabinet with a depth of 24" (61 cm). Some installations require a countertop deeper than 25" (63.5 cm). See the "Countertop Cutout Dimensions Chart." The maximum depth of the overhead cabinet is 13" (33 cm). Overhead cabinets installed at either side of the downdraft vent must be 18" (45.7 cm) above the cooking surface.

For Mobile Home Installations

The installation of this downdraft vent must conform to the Manufactured Home Construction Safety Standards, Title 24 CFR, Part 328 (formerly the Federal Standard for Mobile Home Construction and Safety, title 24, HUD, Part 280) or when such standard is not applicable, the standard for Manufactured Home Installation 1982 (Manufactured Home Sites, Communities and Setups) ANSI A225.1/NFPA 501A, or latest edition, or with local codes.

List of Materials

Removing the packaging

CAUTION!

Remove carton carefully, wear gloves to protect against sharp edges.

WARNING!

Remove the protective film covering the product before putting into operation.

Parts supplied

- Downdraft assembly with blower already installed
- Metal grease filters
- 2 - Lower support legs
- 2 - End caps
- 6" round air transition
- 3 1/4"x10" rectangular air transition
- Metallic top trim
- Hardware bag with:
 - Use, care and installation guide
 - Control assembly
 - 2 - Installation brackets
 - 4 - Plastic clips for aspiration plate
 - 7 - Adhesive wire clips
 - 3 - 4.5 x 13 mm control mounting screws
 - 16 - 4 x 8 mm mounting screws

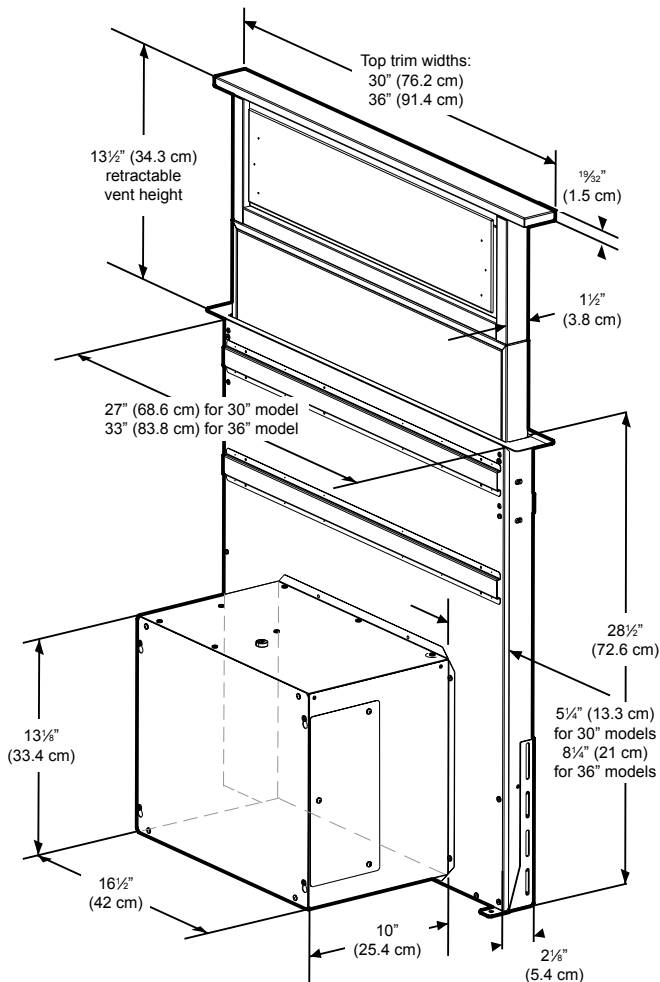
Parts needed

- Home power supply cable
- 1/2" (12.7 mm) UL listed or CSA approved strain relief
- 3 UL listed wire connectors
- 1 wall or roof cap
- 6" round metal vent system or 3 1/4"x10" rectangular vent system

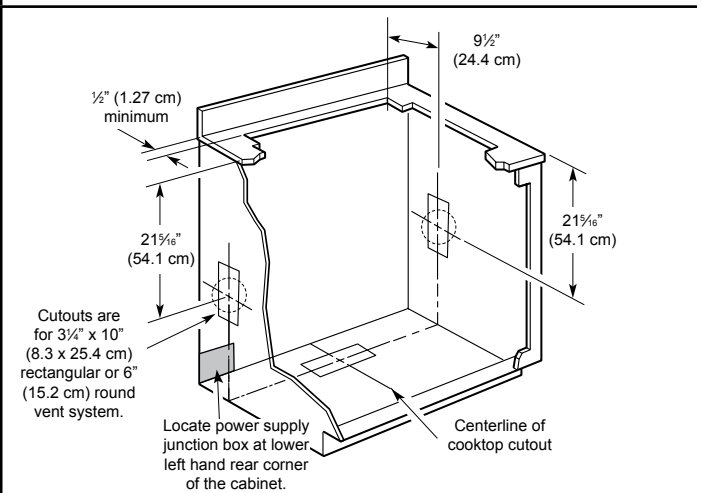
Tools/Materials required

- Level
- Drill with 1 1/4" (3.2 cm), 1/8" (3.2 mm), and 5/16" (7.9 mm) drill bits
- Pencil
- Wire stripper or utility knife
- Tape measure or ruler
- Pliers
- Caulking gun and weatherproof caulking compound
- Vent clamps
- Jigsaw or keyhole saw
- Flat-blade screwdriver
- Metal snips

Product Dimensions



Cabinet Dimensions



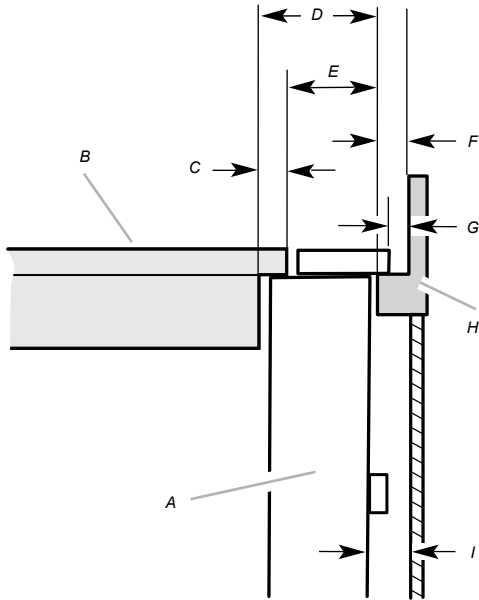
NOTES:

- See cooktop manufacturer's instructions for cooktop cutout depth and width.
- Use dimensions for vent system cutout location that applies to your installation.
- Interior mounted blower systems connect with 3 1/4" x 10" (8.3 x 25.4 cm) rectangular or 6" (15.2 cm) round vent system. The cutout locations for this vent system will depend on your specific installation.

Countertop Cutout Dimensions

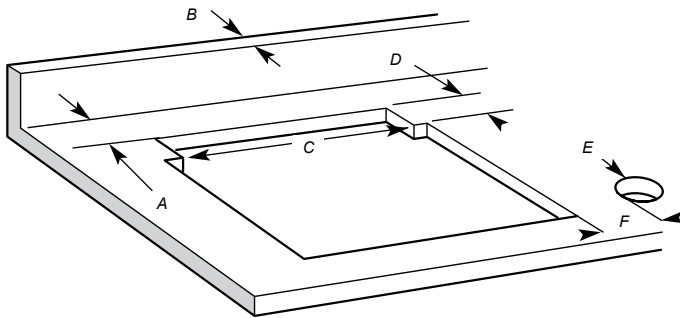
IMPORTANT: Countertops with a bull-nosed front edge are not recommended for these installations. Some models require a countertop deeper than 25" (63.5 cm); see the following "Countertop Cutout Dimensions Chart."

To avoid mistakes, it is recommended that the cooktop and vent cutouts be drawn on the countertop before making any cutouts. See the Installation Instructions that came with your cooktop for complete cutout dimensions, location dimensions and installation details.



- A. Downdraft vent
 B. Cooktop
 C. Measurement of cooktop rear overhang
 D. D = Measurement of cooktop rear overhang (C) + 2 1/2" [61 mm] (E)
 E. 1 1/16" (46.2 mm)
 F. 1/2" (12.7 mm) minimum
 G. 1/4" (6.4 mm) minimum
 H. Countertop and backsplash
 I. 1/2" (12.7 mm) minimum

Countertop Cutout Dimensions Chart



- A. 1/2" (12.7 mm) minimum to backsplash or rear wall
 B. 3/4" (19.1 mm) maximum backsplash depth
 C. 27 1/2" (69.9 cm) on 30" (76.2 cm) models
 33 1/2" (85.9 cm) on 36" (91.4 cm) models
 D. D = Measurement of cooktop rear overhang + 1 1/16" (46.2 mm)
 E. Ø 2 1/16" (6.5 cm). The control can be installed in both left or right sides.
 F. Minimum distance from cooktop 4" (10 cm)
 maximum distance from cooktop 8" (20 cm)

Venting Requirements

IMPORTANT: Make sure there is proper clearance within the wall or floor before making exhaust vent cutouts.

- Use heavy (rigid) metal vent.
- Venting system must terminate to the outside.
- Do not terminate the vent system in an attic or other enclosed area.
- Do not use 4" (10.2 cm) laundry-type wall caps.
- Do not install 2 elbows together.
- Do not use plastic or metal foil vent.
- The length of vent system and number of elbows should be kept to a minimum to provide efficient performance.
- Use no more than three 90° elbows
- Make sure there is a minimum of 24" (61 cm) of straight vent between the elbows if more than one elbow is used.
- Use clamps or duct tape to seal all joints in the vent system.
- Use caulking tape to seal the exterior wall or floor opening around cap.
- Do not cut joist or stud. If vent cutout falls over a joist or stud, a supporting frame must be constructed.
- Flexible metal vent is not recommended. If it is used, calculate each foot of flexible vent as 2 ft (0.6 m) of rigid metal vent. Flexible elbows count twice as much as standard elbows.

Recommended vent system length:

For either interior-mounted or exterior-mounted blower installations, the vent system length should not exceed the maximum lengths listed in the Maximum Length of Vent System chart. See "Calculating Vent System Length" in the "Venting Methods" section in the Installation Instructions.

Cold Weather Installations

An additional back draft damper should be installed to minimize backward cold air flow and a thermal break should be installed to minimize conduction of outside temperatures as part of the vent system. The damper should be on the cold air side of the thermal break.

The break should be as close as possible to where the vent system enters the heated portion of the house.

Makeup Air

Local building codes may require the use of makeup air systems when using ventilation systems greater than specified CFM of air movement. The specified CFM varies from locale to locale. Consult your HVAC professional for specific requirements in your area.

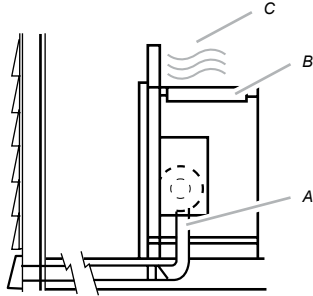
Installation Instructions

Venting Methods

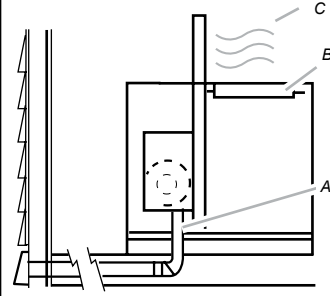
Determine which venting method is best for your application. Vent system can terminate either through the wall or floor.

Island locations

Front (standard) mounted blower motor

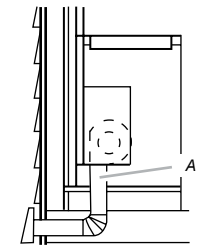


Rear mounted blower motor (Reversible version)

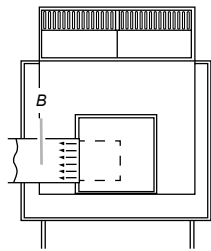


A. Down vent
B. Cooktop
C. Aspiration plate

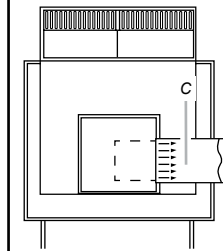
Built-in cabinet locations



A. Down vent



B. Left vent

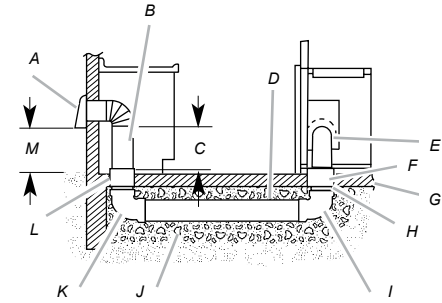


C. Right vent

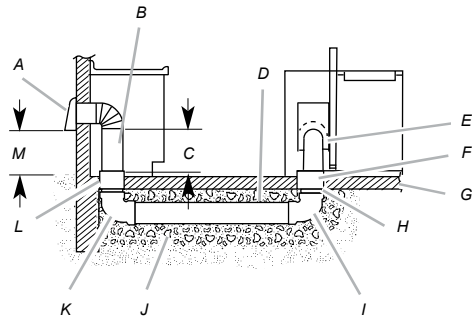
Island locations

Vent systems installed under a concrete slab using PVC sewer pipe.

Front (standard) mounted blower motor



Rear mounted blower motor (reversible aspiration plate)



A. Wall cap
B. 6" (15.2 cm) round metal vent
C. 16" (40.6 cm) maximum
D. 6" (15.2 cm) round PVC sewer pipe
E. 6" (15.2 cm) round metal vent transition with damper (supplied)
F. 6" (15.2 cm) round PVC coupling
G. Concrete slab
H. 6" (15.2 cm) round PVC sewer pipe

I. 6" (15.2 cm) round 90° PVC sewer pipe elbow
J. Tightly pack gravel or sand completely around pipe
K. 6" (15.2 cm) round 90° PVC sewer pipe elbow
L. 6" (15.2 cm) round PVC coupling
M. 12" (30.5 cm) minimum

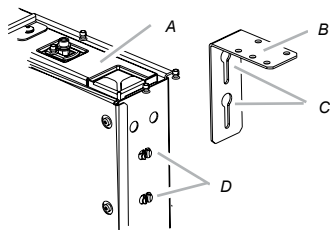
Installing the vent system

WARNING

Excessive Weight Hazard

Use two or more people to move and install downdraft vent. Failure to do so can result in back or other injury.

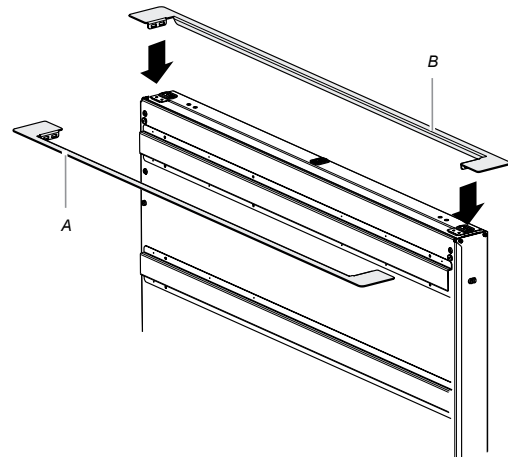
1. Place cardboard or similar material on top of a flat surface where you can easily assemble the downdraft vent system.
2. Remove parts packages, downdraft vent and blower box from the carton.
3. Remove all shipping materials, tape and film from the downdraft vent and blower box.
4. Install the right and left undercounter mounting brackets to the vent box. Slide the keyhole slots over the guide tabs and push the brackets up to set them in place.



A. Vent box
B. Undercounter mounting bracket

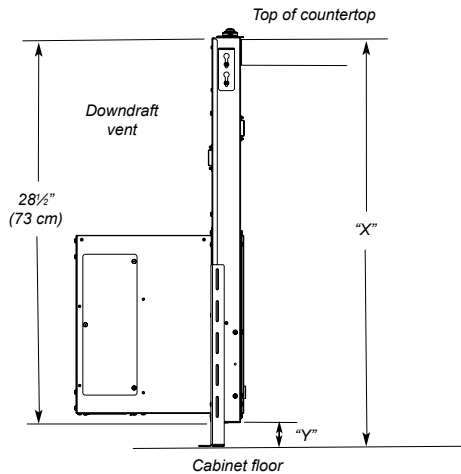
C. Keyhole slots
D. Guide tabs

5. Attach the end cap to the vent box, depending on what vent position you choose (standard-reversible). Place the tabs into the mounting slots at each end of the downdraft vent as shown and push down to lock into place.

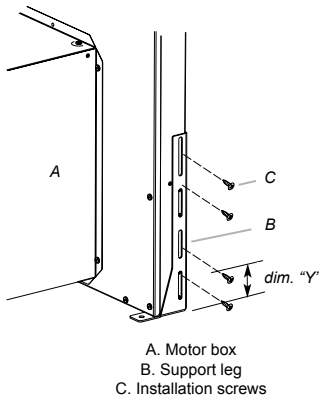


C. Standard installation cap
D. Reversible installation cap

6. Measure distance "X" from the cabinet floor to the top of the countertop. Subtract 28½" from distance "X" to determine dimension "Y" ($X - 28\frac{1}{2} = Y$).

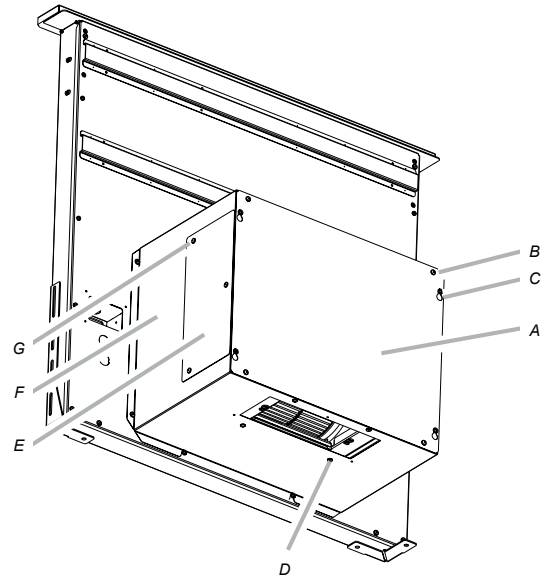


7. Attach the support legs to the side of the vent box with 4 - 4 x 8 mm screws in each support leg. Adjust to dimension "Y" from the bottom of the vent box to the bottom of the support legs. Tighten screws.



Left or right venting:

1. Using two or more people, place the downdraft vent system on its back.
2. Remove the 4 screws from the cover plate mounted to the face of the motor box and set them aside.



- A. Cover plate
- B. Cover plate screws
- C. Cover plate keyhole slot shoulder screws
- D. Motor mounting screws
- E. Vent cover plate
- F. Motor box
- G. Vent cover screws

3. Slide the cover plate up and slip it over the keyhole slot shoulder screws. Set the cover aside.
4. Remove 4 screws from the bottom of the motor box that hold the motor assembly to the motor box.
NOTE: Disconnect the electrical wiring connection from motor if needed.
5. Remove 3 screws and the vent cover plate from the left or right side of the motor box for the venting direction to be used.
6. Rotate the blower motor assembly 90 degrees to the left or right side to the chosen venting direction and secure to the blower box with motor mounting screws previously removed. Do not twist or bind the wires.
7. Install the vent cover plate over the rectangular opening in the bottom of the motor box and secure with vent cover screws.
NOTE: Reinstall the electrical wiring connection to motor if removed.
8. Reinstall the cover plate to the face of the motor box and secure with 4 cover plate screws previously removed.
9. For mounting the blower motor to the back of the vent box, go to the "Rear Mounting - Blower Motor" section. Otherwise, go to the "Complete Installation" section.

Determine which vent direction is best for your installation

When installed in a cabinet, vent system can exhaust through the bottom, right or left of the cabinet.

IMPORTANT: When using the 6" (15.2 cm) vent transition (supplied) for 6" round venting, only left or right venting is recommended.

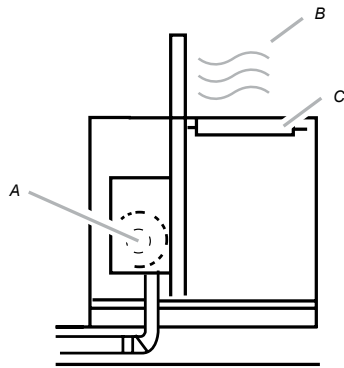
Bottom venting

NOTE: If installing the vent damper in the down position, a wall or roof cap with a damper at the exit end of the vent system is required.

- Downdraft vent is shipped with blower in down venting position so no modification is required.
- If rear mounting of the blower motor is not required, go to the "Complete Installation" section.
- To mount the blower motor to the rear side of the vent box, go to the "Rear Mounting - Blower Motor" section.

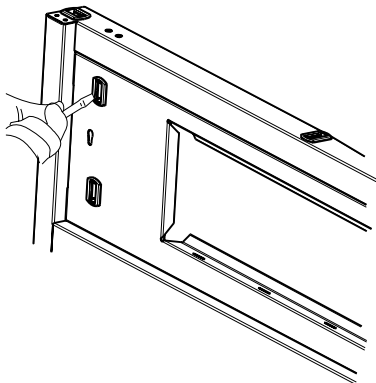
Rear mounting (reversible mode)

Optional blower motor rear mounting position (opposite side) for island cabinet locations. The aspiration assembly (metallic plate, filters), can be moved to the opposite side (rear) of the vent.

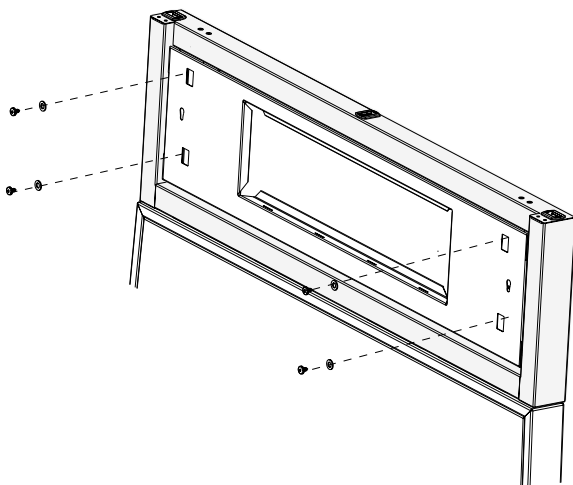


A. Motor box
B. Aspiration orientation
C. Cooktop

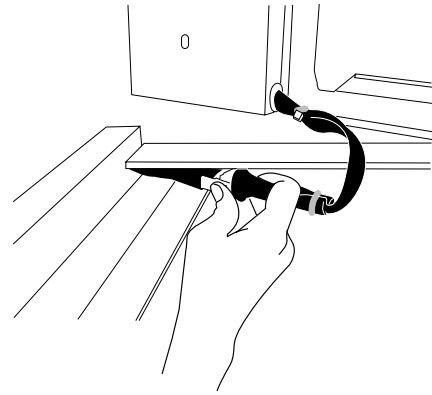
1. Move the aspiration plate and the grease filters and put them aside. (See the Cleaning section).
2. With the help of a flat head screwdriver, gently take off the aspiration plate plastic clips.



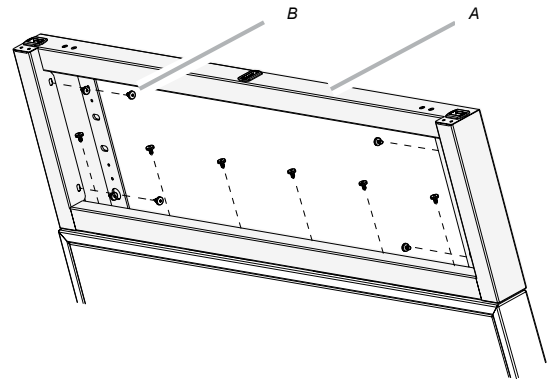
3. Once the clips were removed from the aspiration assembly, retire the screws and washer as shown the image below. Put the screws aside.



4. Unplug the electrical connexion of the aspiration assembly, and remove it from the hood.

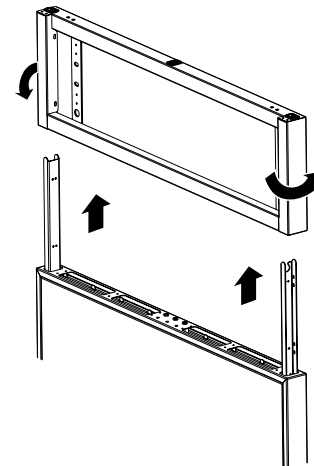


5. Remove the mounting screws from the aspiration structure as shown the image below.



A. Aspiration structure
B. Installation screws

6. Lift the structure and flip it to the opposite side and fix with the same screws previously removed.



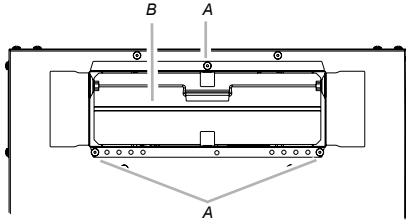
7. Plug the electrical connexion and put it into place.
8. Put back the screws and metal washers to the aspiration assembly. Insert the plastic clips back.
9. Relocate the grease filters and the aspiration plate.

Complete Installation

NOTE: The downdraft vent system is supplied with a 3¼" x 10" (8.3 x 25.4 cm) rectangular vent transition and a 6" (15.2 cm) round vent transition with damper. Refer to "3¼" x 10" (8.3 x 25.4 cm) back draft damper" or "6" (15.2 cm) round vent transition with damper," depending upon the type of venting you are using.

3¼" x 10" (8.3 x 25.4 cm) back draft damper

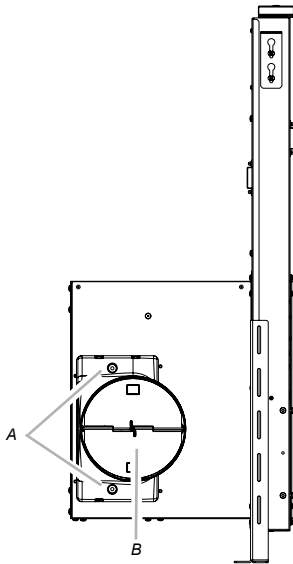
1. Attach the 3¼" x 10" (8.3 x 25.4 cm) back draft damper to the vent opening in the blower motor box, using three 3.5 x 9.5 mm screws.



A. 3.5 x 9.5 mm screws
B. 3¼" x 10" (8.3 x 25.4 cm) back draft damper

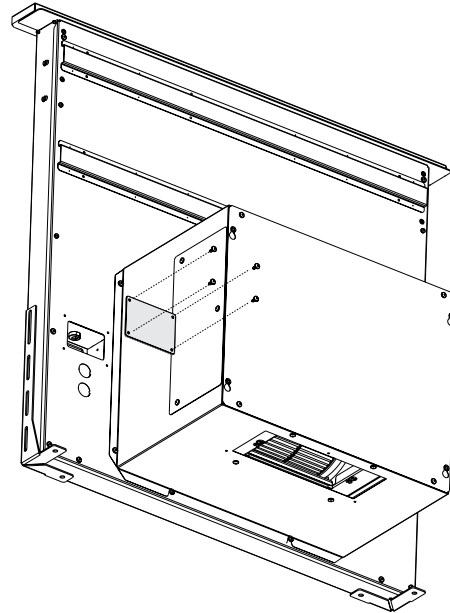
6" (15.2 cm) round vent transition with damper

1. Attach the 6" (15.2 cm) round vent transition to vent opening (left or right side venting only is recommended), using two 3.5 x 9.5 mm screws.

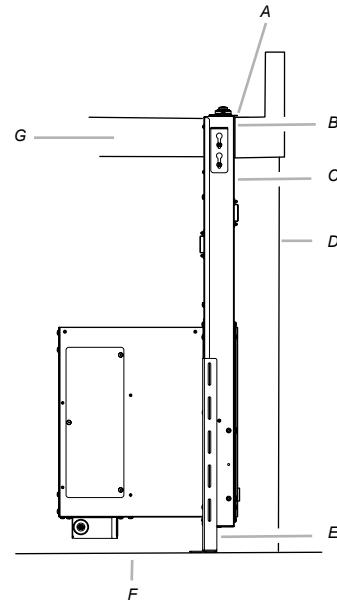


A. 3.5 x 9.5 mm screws
B. 6" (15.2 cm) round vent transition with damper

2. Remove 4 screws attaching the terminal box cover.
3. Determine which direction (front or rear) the home power supply cable will enter the terminal box. Remove the appropriate knockout from the front or rear panel and install a ½" (12.7 mm) UL listed or CSA approved conduit connector.



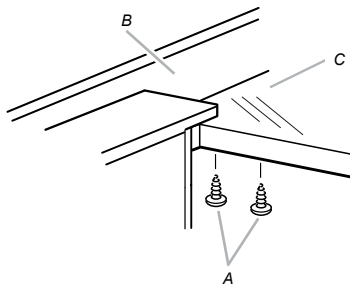
4. Using 2 or more people, insert the downdraft vent into the countertop cutout. Position downdraft vent so it is centered in the cutout with the rear flange over the edge of the cutout and the rear of the vent box against the edge of the cutout.



A. Rear flange of downdraft vent
B. Edge of cutout in countertop
C. Rear of downdraft vent
D. Cabinet back
E. Lower support leg
F. Cabinet floor
G. Countertop

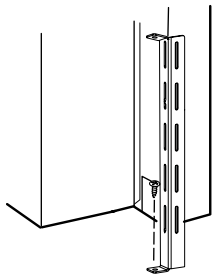
- 5. Drill 2 pilot holes through each of the undercounter mounting brackets into the underside of the countertop. Using 2 screws (not provided) of the appropriate length, mount the brackets to the countertop.

IMPORTANT: Select a screw length that will not allow the screws to go through the countertop when tightened.



A. Screws
B. Backsplash
C. Countertop

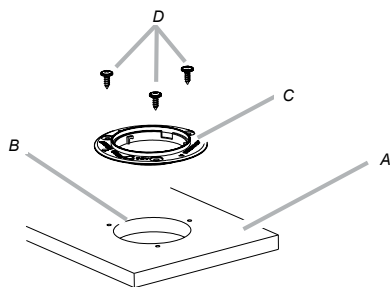
- 6. Check that the downdraft vent is level vertically. Loosen the lower support legs screws and position the legs against the cabinet floor.
- 7. Fasten the lower support legs to the cabinet floor with screws (not provided).



- 8. Tighten the lower support legs screws.

Control Installation

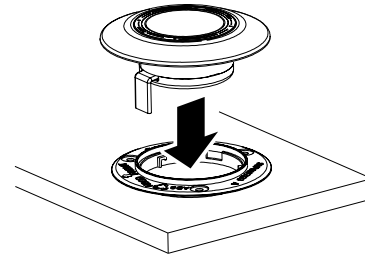
- Before the control installation, make sure you have made the cutouts to proceed (see "Countertop Dimensions Chart").
- Place the control base on location and mark the holes with a pencil. Put the base aside.
- Drive the installation screws on the marked points. Once you have inserted the screws, remove them.
- Place the control base in place and drive the installation screws again.



A. Countertop
B. Control cutout
C. Control base
D. Mounting screws

- Run the control cable through the countertop hole.

- Push down the control assembly against the control base, until you hear the click.



Electrical Connection

WARNING

Electrical Shock Hazard

Disconnect power before servicing.

Replace all parts and panels before operating.

Failure to do so can result in death or electrical shock.

1. Disconnect power.
2. Feed the power supply cable through the conduit connector and into the terminal box.

WARNING

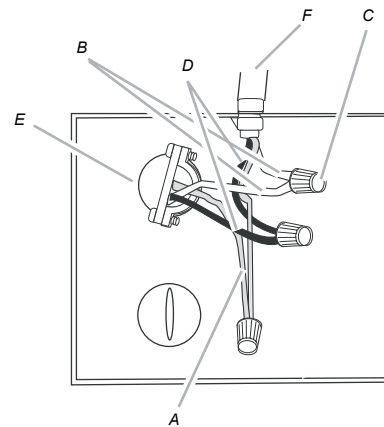
Electrical Shock Hazard

Electrically ground blower.

Connect ground wire to green and yellow ground wire in terminal box.

Failure to do so can result in death or electrical shock.

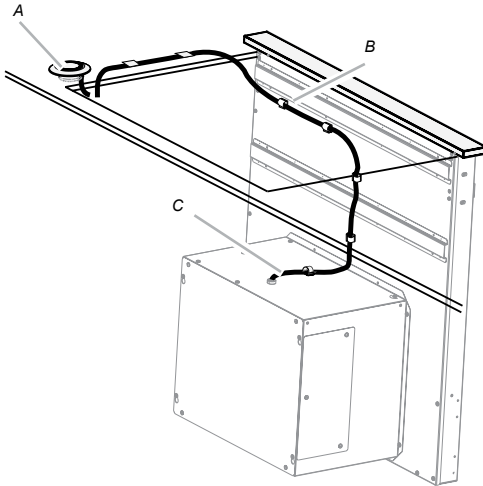
3. Connect the green (or green/yellow) ground wire to the green or yellow/green ground wire using UL listed wire connectors.
4. Tighten the screw on the conduit connector.
5. Connect the 2 white wires together using UL listed wire connectors.



A. Green or green and yellow ground wire
B. White wires
C. UL listed wire connectors
D. Black wires
E. UL listed or CSA approved conduit connector
F. Downdraft vent wiring

Control connection

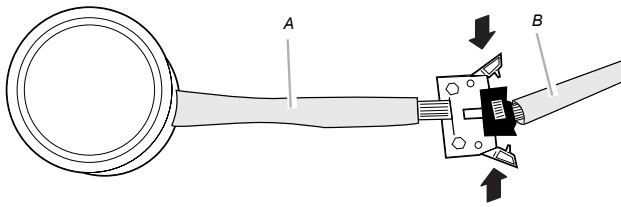
1. Run the control wire from the motor box to the location of the control assembly (see the image below).



A. Control
B. Adhesive wire clips
C. Control connection wire

NOTE: It is recommended to guide the connection wire as close as possible to the motor box, avoiding to get the wire loose. Use the provided adhesive wire clips.

2. Plug both wire connectors.

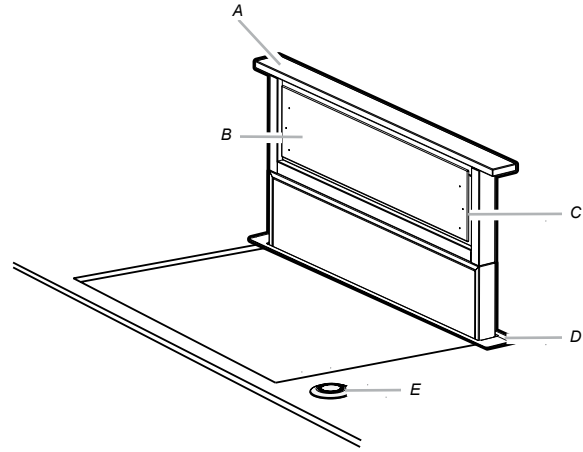


A. Control wire
B. Motor box wire

3. Check the operation.

Check operation

1. Push and hold the control button for a few seconds. The retractable section of the downdraft vent will rise, and the blower will start. Position the top trim over the retractable section and snap trim into place.



A. Top trim
B. Aspiration plate
C. Grease filters
D. End cap
E. Control

2. If the blower does not operate:
 - Check that filter or filters are pressed in as far as they will go.
 - Check that the circuit breaker has not tripped or a household fuse blown.
3. Connect vent system to blower. Vent system must end with a wall or roof cap. Use clamps or duct tape to seal all joints.
4. Install cooktop according to manufacturer's instructions.

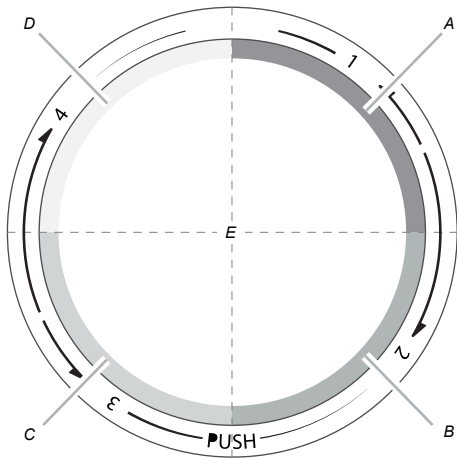
VENT SYSTEM USE

The retractable downdraft vent system is designed to remove smoke, cooking vapors and odors from the cooktop area.

- For best results, the vent should be operating before cooking is started.
- If you use large or tall utensils, place them on the large rear element or burner surface.
- A higher heat setting than normally used may be needed when the downdraft vent is operating.
- For gas cooktops, the downdraft vent system may affect the flame stability and cooking performance. To improve the burner performance, either decrease the downdraft vent blower speed or increase the cooktop burner flame setting.
- For gas cooktops with flame sensing ignitions, the downdraft vent system may disperse the flame away from the spark igniter and may cause it to continually spark while trying to reignite a burner that is already lit. To resolve the issue of the cooktop igniter continuously sparking, either decrease the downdraft vent blower speed or increase the cooktop flame setting for that burner.

Downdraft Use

Use the high suction speed in cases of concentrated kitchen vapours. It is recommended that the cooker hood suction is switched on for 5 minutes prior to cooking and to leave in operation during cooking and for another 15 minutes approximately after terminating cooking. The control panel consists of a backlit rotating disk.



To put on and off the lights:

Press on the disk (E) to put on and off the lights

To select the available suction speeds:

Turn the disk (E) clockwise to turn on and increase the suction speed and counter-clockwise to decrease it, and to turn off the hood.

The crown lights to indicate the selected suction speed:

A lit

speed 1 (minimum).

A + B lit

speed 2 (medium).

A + B + C lit

Speed 3 (maximum).

A + B + C + D lit

Speed 4 (intensive), lasting for 5 minutes, then the hood is placed automatically at speed 2.

A off:

Suction motor off.

A + B + C + D lit in flashing mode

The light crown will flash after 40 hrs. of work. This indicates that the grease filters must be removed and cleaned.

This function must be reset by pressing the button for 5 seconds.

Vent System Care

Surface of Downdraft Vent

To avoid damaging the finish, clean downdraft vent with soap and water. Do not use scouring powder or abrasive solutions.

Exterior Surfaces:

To avoid damage to the exterior surface, do not use steel wool or soap-filled scouring pads.

Always wipe dry to avoid water marks.

Cleaning Method:

- Liquid detergent soap and water, or all-purpose cleanser
- Wipe with damp soft cloth or nonabrasive sponge, then rinse with clean water and wipe dry.

Filters

Frequently remove and clean the filter(s) in the retractable section of the downdraft vent. This will improve the operating efficiency of the downdraft vent system.

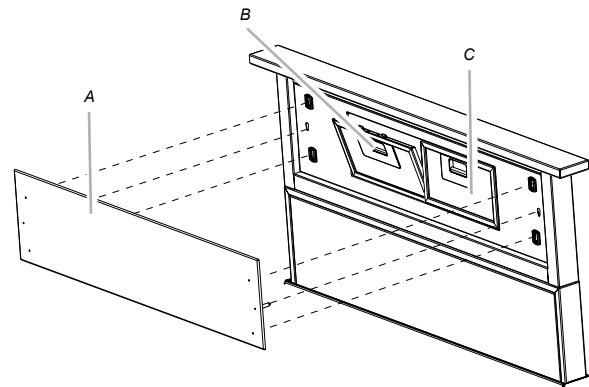
- Remove each filter by pulling the spring release handle and then pulling down the filter.
- Wash metal filters as needed in dishwasher or hot detergent solution.
- Reinstall the filter by making sure the spring release handles are toward the front. Insert metal grease filter into upper track.
- Pull the spring release handle down.
- Push up on metal filter and release handle to latch into place.
- Repeat steps 1-5 for the other filter.

To Clean:

- Remove the aspiration plate and the filter(s) and clean them in a dishwasher or in a hot detergent solution. The downdraft vent will not operate when the filters are not in place.
- Dry the clean filter(s) and reinstall, making sure that they lock into place.

To Replace Filters:

- Place filters into the retractable section of the downdraft vent.
- Place fingertips into the embossment at the top of the filters and push down and back to allow the top tabs to snap in place.



A. Aspiration plate
B. Grease filter handle
C. Grease filters

NOTE: Downdraft vent will not operate if the filters are not in their proper position. If the filters' top tabs are not locked behind the top flange, the vent may retract but not raise back up. If retractable downdraft vent does not operate after clean filters have been installed: Push the filter in as far as it will go. When the filter is removed, the microswitch behind the filter is inactivated. This feature will not allow the vent system to operate until the filter is properly installed.

WARRANTY

ELICA North America

TWO-YEARS LIMITED WARRANTY

TO OBTAIN SERVICE UNDER WARRANTY

Owner must present proof of original purchase date. Please keep a copy of your dated proof of purchase (sales slip) in order to obtain service under warranty.

PARTS AND SERVICE WARRANTY

For the period of two (2) years from the date of the original purchase, Elica will provide free of charge, non consumable parts or components that failed due to manufacturing defects. During these two (2) years limited warranty, Elica will also provide free of charge, all labor and in-home service to replace any defective parts.

WHAT IS NOT COVERED

- Damage or failure to the product caused by accident or act of God, such as, flood, fire or earthquake.
- Damage or failure caused by modification of the product or use of non-genuine parts.
- Damage or failure to the product caused during delivery, handling or installation.
- Damage or failure to the product caused by operator abuse.
- Damage or failure to the product caused by dwelling fuse replacement or resetting of circuit breakers.
- Damage or failure caused by use of product in a commercial application.
- Service trips to dwelling to provide use or installation guidance.
- Light bulbs, metal or carbon filters and any other consumable part.
- Normal wear of finish.
- Wear to finish due to operator abuse, improper maintenance, use of corrosive or abrasive cleaning products/pads and oven cleaner products.

WHO IS COVERED

This warranty is extended to the original purchaser for products purchased for ordinary residential use in North America (Including the United States, Guam, Puerto Rico, US Virgin Islands & Canada).

This warranty is non-transferable and applies only to the original purchaser and does not extend to subsequent owners of the product. This warranty is made expressly in lieu of all other warranties, expressed or implied, including, but not limited to any implied warranty of merchantability or fitness for a particular purpose and all other obligations on the part of Elica North America, provided, however, that if the disclaimer of implied warranties is ineffective under applicable law, the duration of any implied warranty arising by operation of law shall be limited to two (2) years from the date of original purchase at retail or such longer period as may be required by applicable law.

This warranty does not cover any special, incidental and/or consequential damages, nor loss of profits, suffered by the original purchaser, its customers and/or the users of the Products.

WHO TO CONTACT

To obtain Service under Warranty or for any Service Related Question

Please Call:

- Elica North America Authorized Service at (888) 732-8018

Or by Writing To:

- Elica North America, Attention Customer Service
6658 156th Avenue SE,
Bellevue, WA 98006 USA
infoamericas@elica.com