

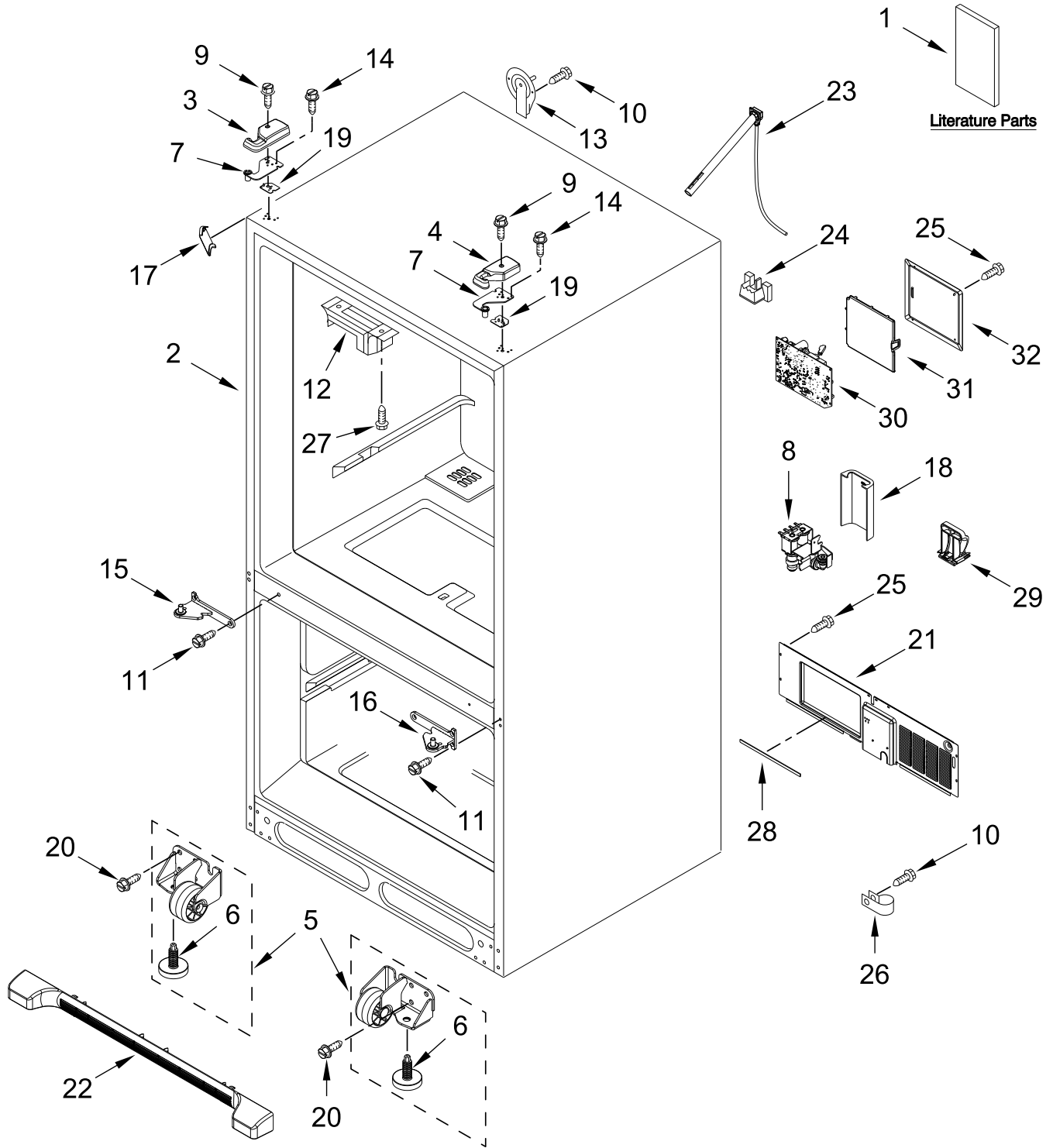


REFRIGERATOR

MODELS:

WRFF3036RW00 (White)

CABINET PARTS



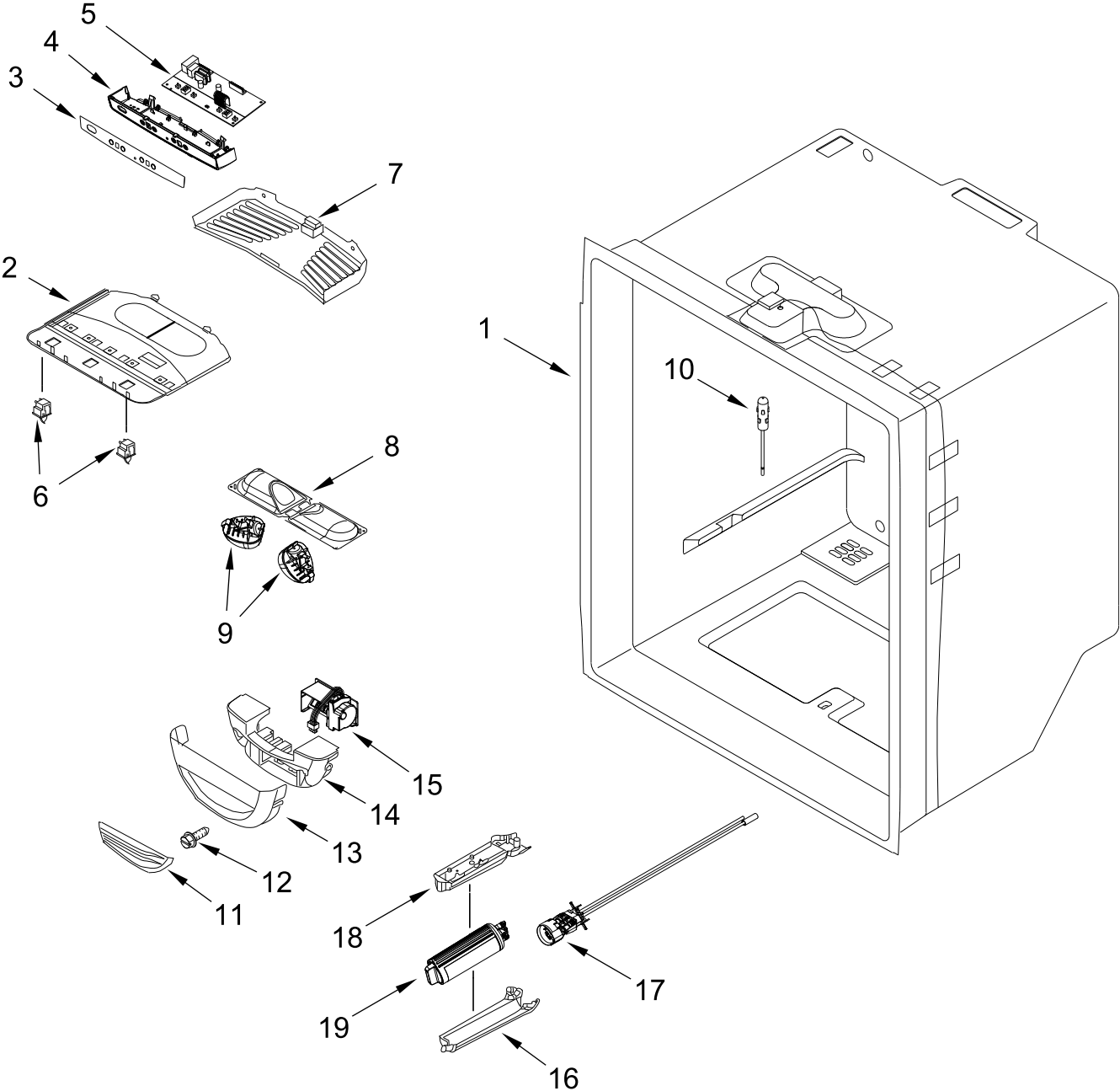
CABINET PARTS

<u>Illus. No.</u>	<u>Part No.</u>	<u>Description</u>
1		Literature Parts
	W11580822	Owners Manual
	W11730571	Energy Guide
	W11623343	Tech Sheet
2		Cabinet (Not a Servicable Part)
3		Cover, Top Hinge (Includes Foil) Left Hand
	W10337634	White
4		Cover, Top Hinge Right Hand
	12962302W	White
5		Assembly, Roller
	W10515763	Left Hand
	W10515762	Right Hand
6	W10141622	Brake, Roller
7		Hinge, Top
	W11456626	Left Hand
	W11456625	Right Hand
8	W11446816	Valve, Water Inlet

<u>Illus. No.</u>	<u>Part No.</u>	<u>Description</u>
9	12992602	Screw
10	12990504	Screw
11	W10673840	Screw (Stainless)
12	12698403	Plate, Pivot
13	12726003	Cover, Water Line
14	12992403	Screw
15		Hinge, Center
	W11610757	Left Hand
16		Hinge, Center
	W11610758	Right Hand
17		Cover, Corner
	12587703W	White
18	W10208593	Guard, Dual Water Valve
19		Shim, Top Hinge
	12999501	Left Hand
	12999502	Right Hand
20	W10709365	Screw
21	W10211855	Cover, Unit

<u>Illus. No.</u>	<u>Part No.</u>	<u>Description</u>
22		Grille, Toe
	W10534154	White
23	W11046934	Assembly, Fill Tube (Includes Tubing, Fill Tube Elbow, Tube Insert and Clamp)
24	W11651067	Block, Fill Tube
25	12990702	Screw
26	M0108107	Clamp, Tube
27	688983	Screw
28	W11534848	Gasket
29	W10528513	Sweep, Dual Tube
30	W10317076	Board, HV Control
31	W10296541	Lid, HV Control Box
32	12961602	Cover, Control Box

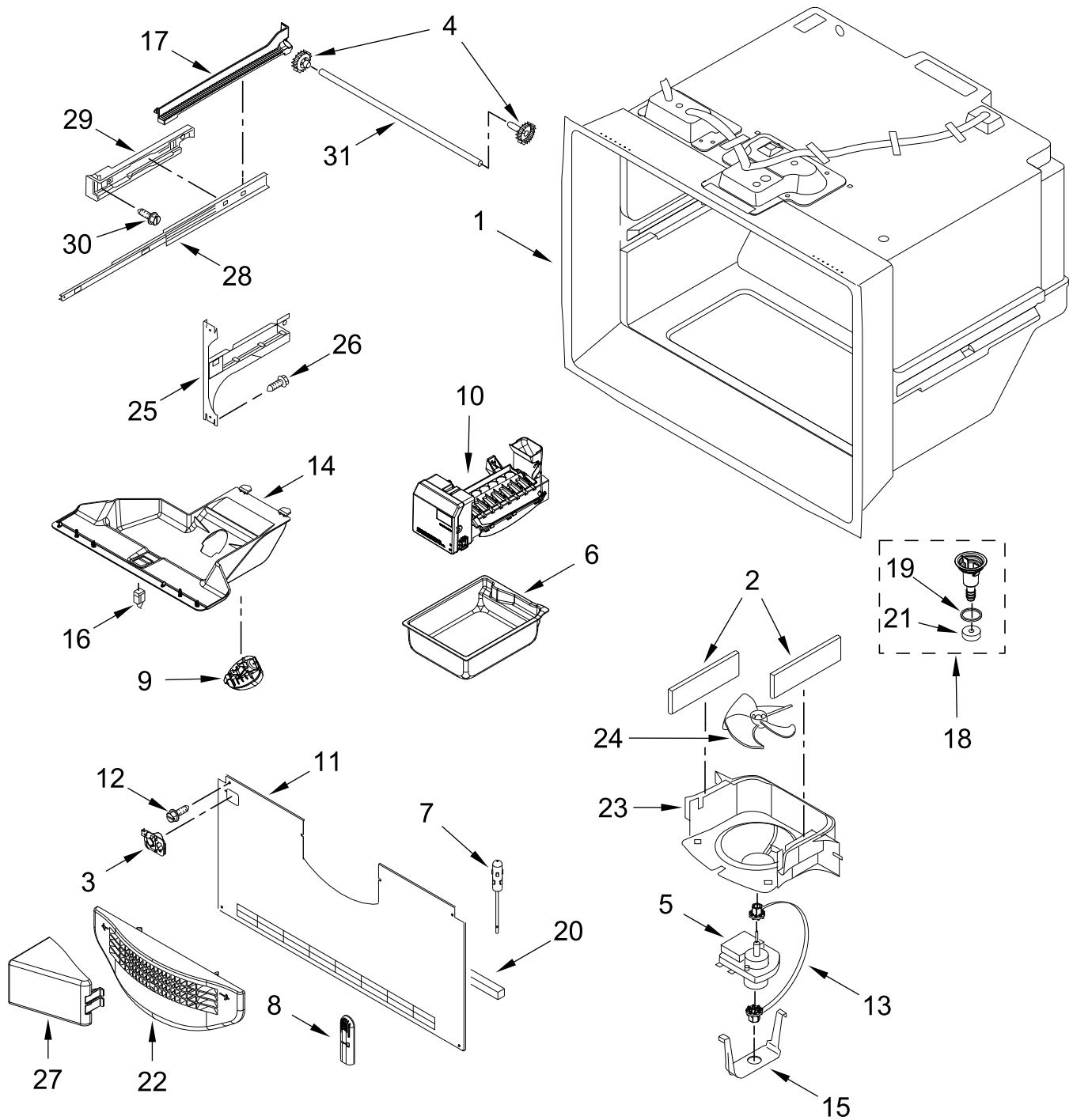
REFRIGERATOR LINER PARTS



REFRIGERATOR LINER PARTS

<u>Illus. No.</u>	<u>Part No.</u>	<u>Description</u>	<u>Illus. No.</u>	<u>Part No.</u>	<u>Description</u>	<u>Illus. No.</u>	<u>Part No.</u>	<u>Description</u>
1		Liner (Not A Serviceable Part)	9	W11468934	Light Module, LED	17	W11519957	Manifold, Water System
2	W10464764	Module, Light	10	12791416	Thermistor	18	W11510654	Cover, Filter
3	W10746278	Overlay	11	12806801	Insert, Damper Cover	19	W11536439	Filter, Water
4	W10464767	Module, Control	12	12990604	Screw			FOLLOWING PARTS NOT ILLUSTRATED
5	W11593757	Board, Control	13	12806701	Cover, Damper			
6	W10847853	Switch, Rocker	14	W11657832	Insulation, Damper		W11609495	Harness, Fresh Food Control (Includes Thermistor)
7	W11132917	Cover, Light	15	W10594329	Control, Damper			
8	W10443023	Housing, Light	16	W11510657	Plate, Filter			

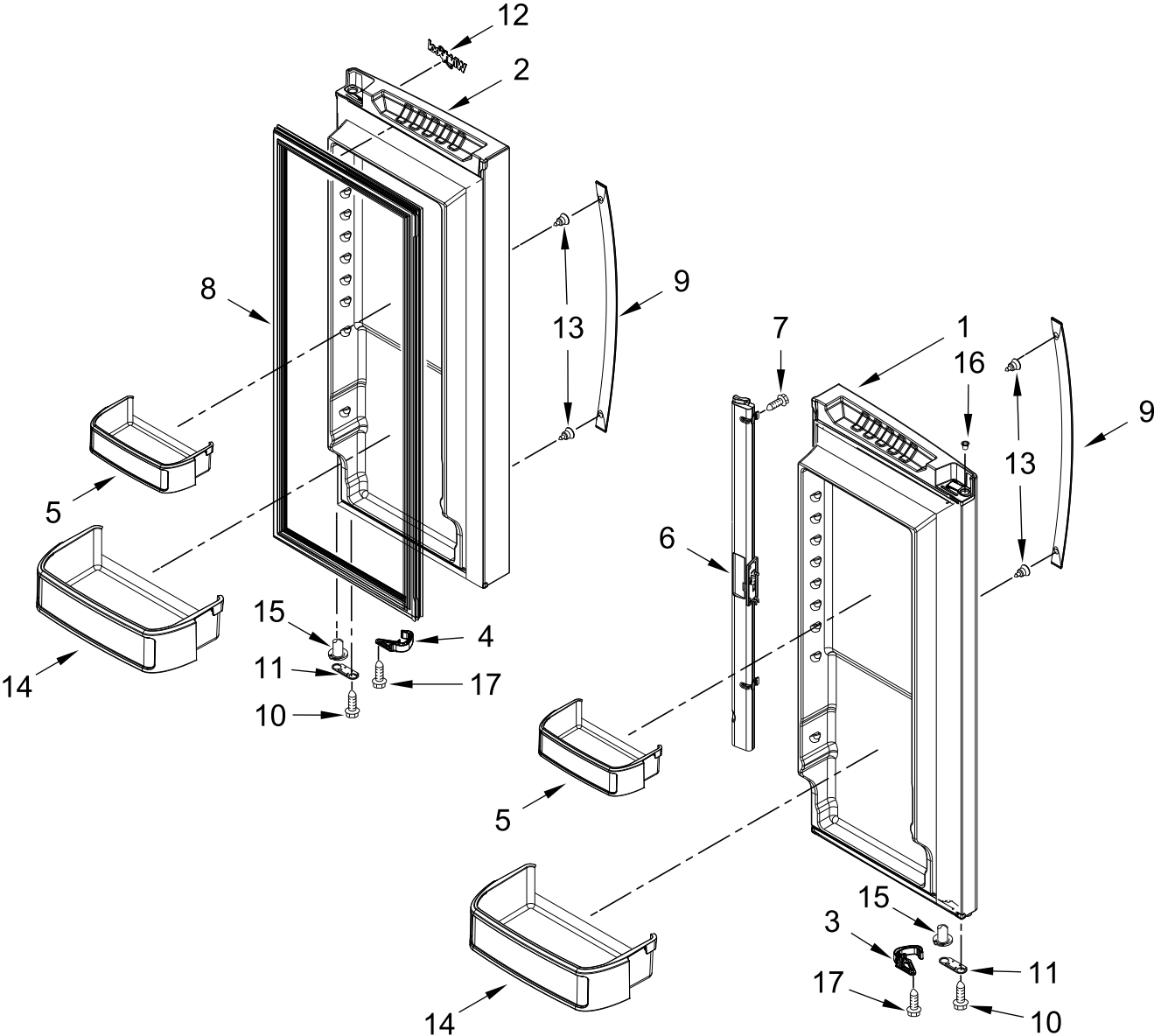
FREEZER LINER AND ICEMAKER PARTS



FREEZER LINER AND ICEMAKER PARTS

<u>Illus.</u> <u>No.</u>	<u>Part No.</u>	<u>Description</u>	<u>Illus.</u> <u>No.</u>	<u>Part No.</u>	<u>Description</u>	<u>Illus.</u> <u>No.</u>	<u>Part No.</u>	<u>Description</u>
1		Liner (Not A Serviceable Part)	13	W10121318	Grommet, Fan Motor	24	2169142	Blade, Fan
2	A3189392	Gasket, Foam	14	W10277025	Module, Light	25		Bracket, Door
3	W11341630	Guide, Fill Tube	15	13058002	Clip, Evaporator Motor		W10330991	Left Hand
4	12002497	Gear	16	W10847849	Switch, Light		W10330993	Right Hand
5	W11507418	Motor, Evaporator	17		Rail, Side	26	12990521	Screw
6	W10171529N	Pan, Ice		W11309374	Left Hand	27	W10157765	Diverter, Air
7	12791419SP	Thermistor		W11309377	Right Hand	28	W11644400	Slide, Door
8	12815301	Cover, Thermistor	18	W10662407	Assembly, Drain Funnel	29		Adapter, Slide
9	W11468934	Light Module, LED	19	M0500703	Seal		W10284684	Left Hand
10	W11525253	Assembly, Complete Icemaker	20	A3189396	Gasket	30	12990501	Screw
11	W10308416	Cover, Evaporator	21	B8381501	Gasket, Drain	31	W10802332	Shaft, Rack
12	12990511	Screw	22	13024803	Grille, Freezer Air			
			23	13057901	Shroud, Evaporator Fan			

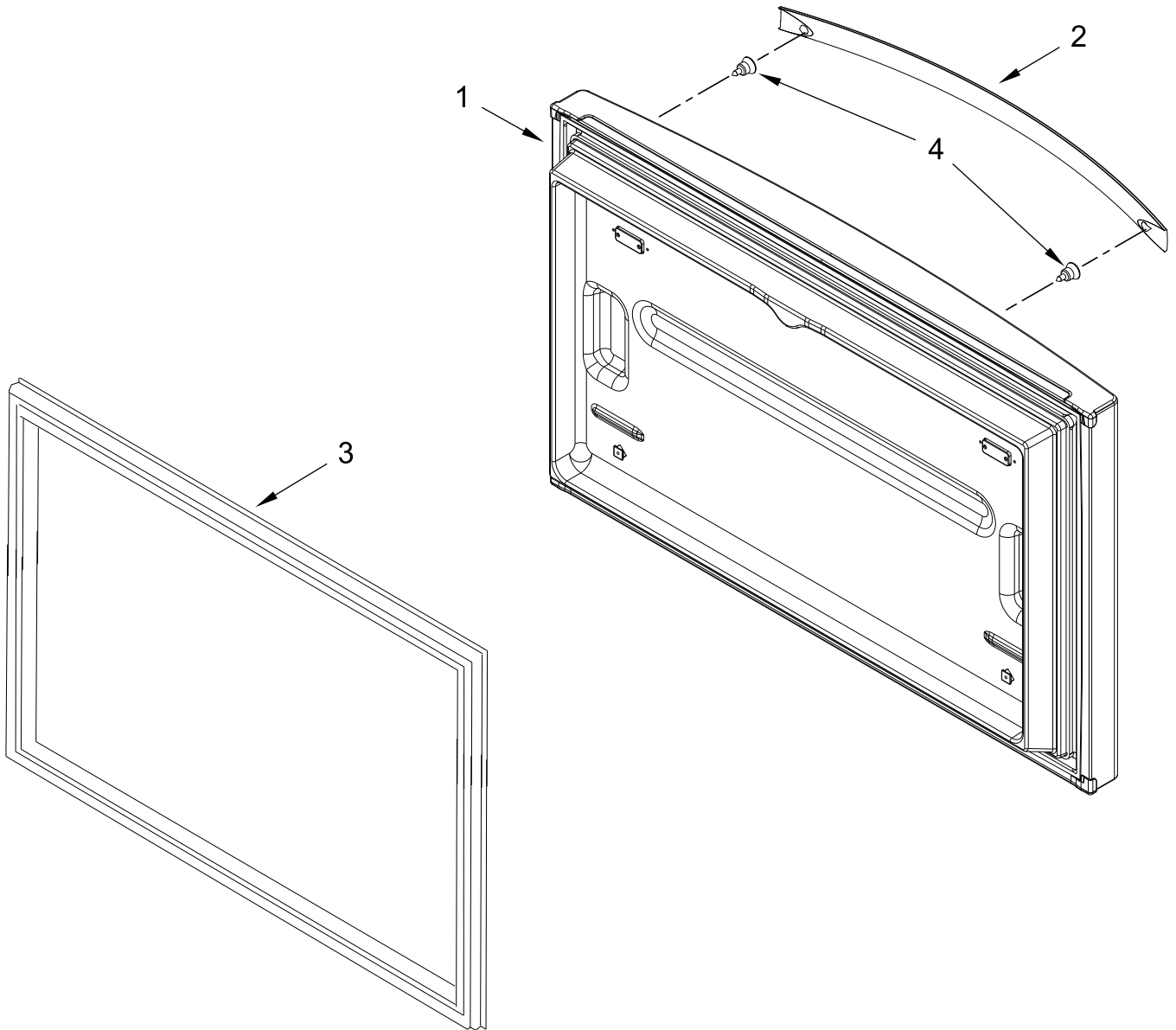
REFRIGERATOR DOOR PARTS



REFRIGERATOR DOOR PARTS

<u>Illus. No.</u>	<u>Part No.</u>	<u>Description</u>	<u>Illus. No.</u>	<u>Part No.</u>	<u>Description</u>	<u>Illus. No.</u>	<u>Part No.</u>	<u>Description</u>
1		Door, Refrigerator	5	W11697423	Bucket, Medium	14	W11698393	Bucket, Gallon
		Left Hand	6		Mullion, Door	15		Closure, Door
	W11622646	White		12722803W	White		12028505W	White
2		Door, Refrigerator	7	12990204	Screw	16	12996601	Clip, Bushing
		Right Hand	8		Gasket, Door	17	12990518	Screw
	13107887W	White		W10830189	White			
3		Latch, Door Closer	9		Handle, Door			
		Left Hand		W11101973	White			
	W10833740	White	10	12990504	Screw			
4		Latch, Door Closer	11		Stop, Door			
		Right Hand		12968202W	White			
	W10833738	White	12	W10884773	Badge			
			13	W11328753	Screw			

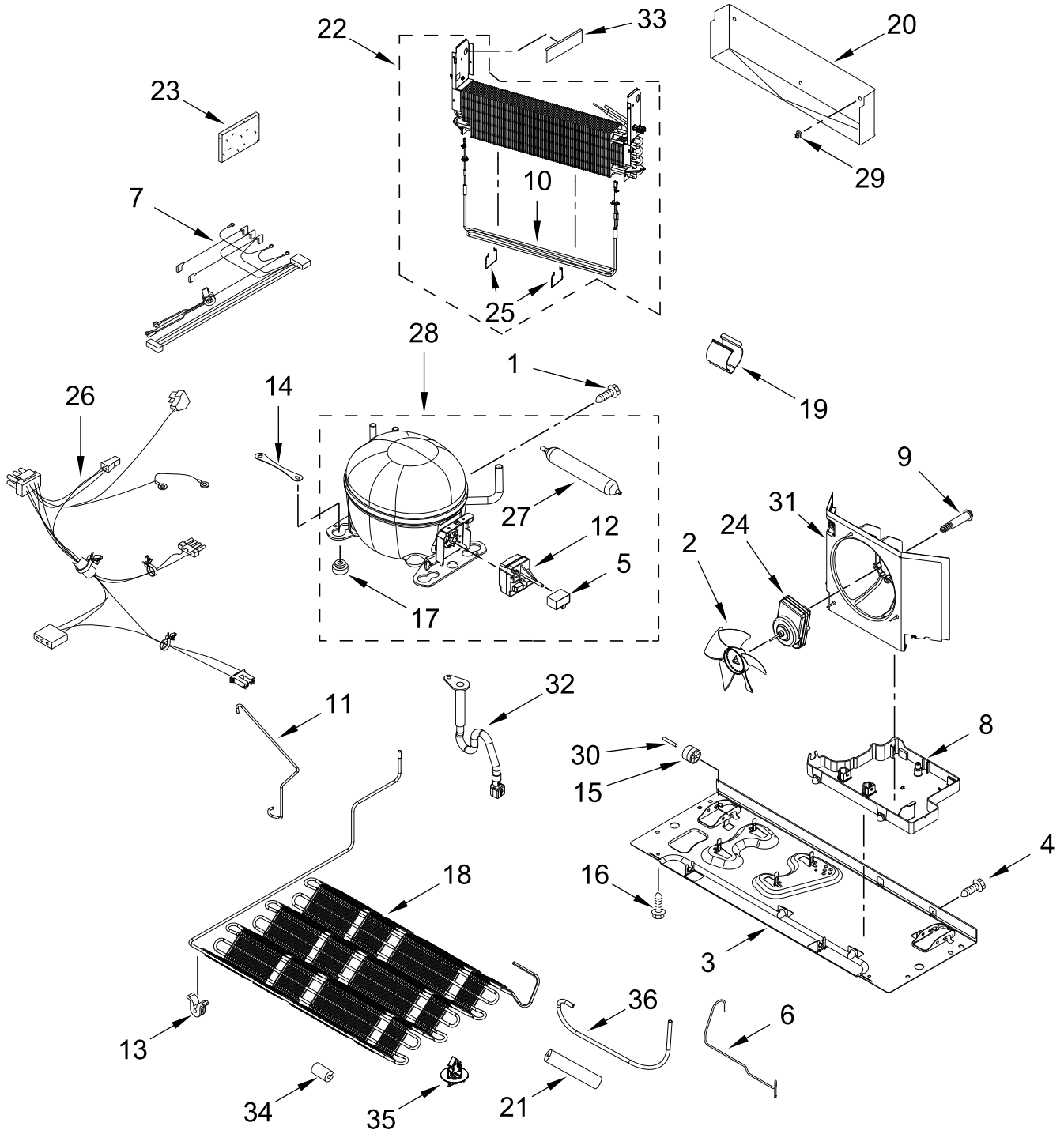
FREEZER DOOR PARTS



FREEZER DOOR PARTS

<u>Illus.</u> <u>No.</u>	<u>Part No.</u>	<u>Description</u>	<u>Illus.</u> <u>No.</u>	<u>Part No.</u>	<u>Description</u>	<u>Illus.</u> <u>No.</u>	<u>Part No.</u>	<u>Description</u>
1	12977879W	Door, Freezer White	2	W11101978	Handle, Door White	3	W10443319	Gasket, Door White
						4	W11328753	Screw

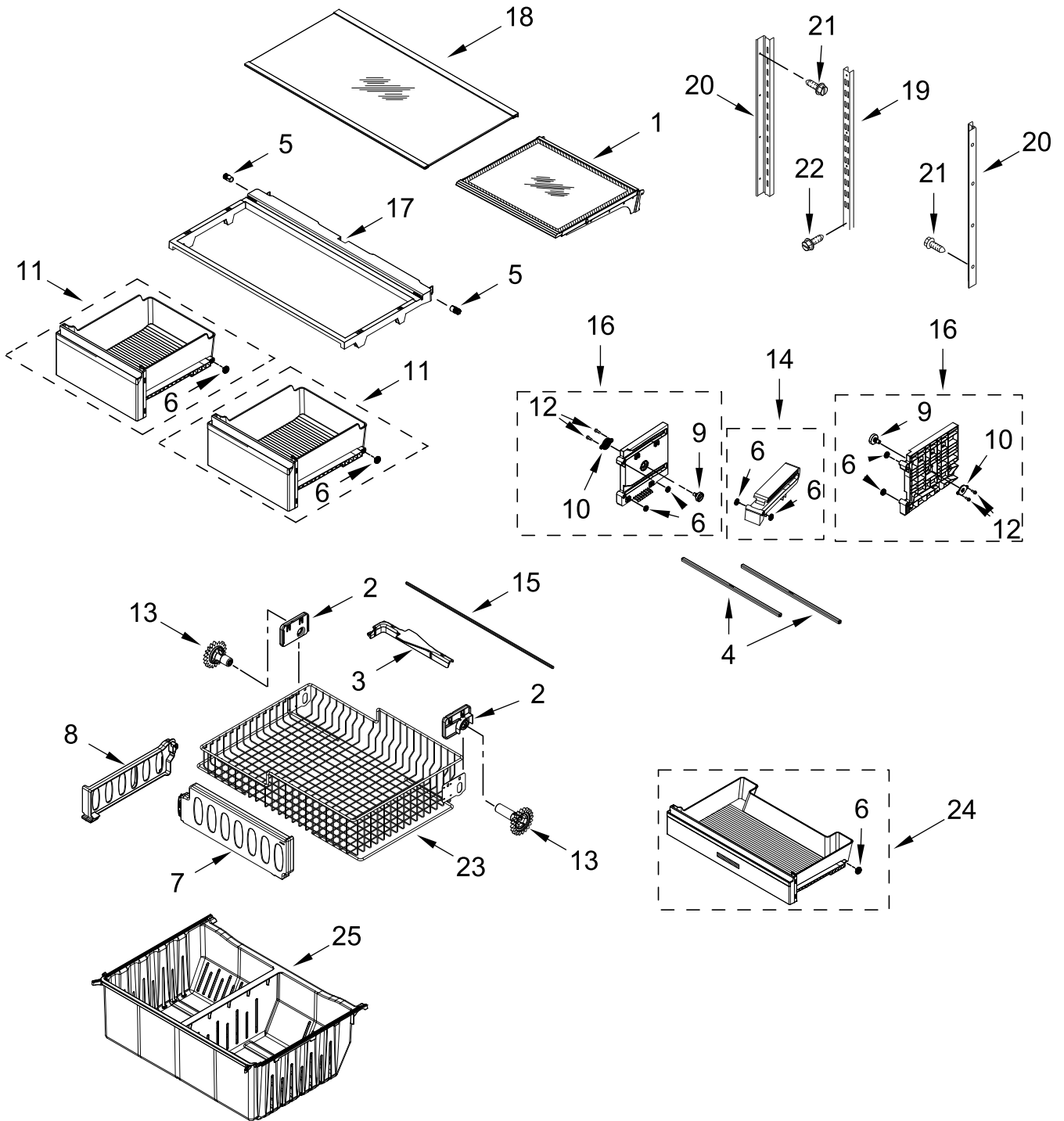
UNIT PARTS



UNIT PARTS

<u>Illus.</u> <u>No.</u>	<u>Part No.</u>	<u>Description</u>	<u>Illus.</u> <u>No.</u>	<u>Part No.</u>	<u>Description</u>	<u>Illus.</u> <u>No.</u>	<u>Part No.</u>	<u>Description</u>
1	12992301	Screw	20	W11337767	Tray, Drip	28	W11332031	Compressor (Also Order the Following Lokring™ Parts)
2	12825803	Blade, Fan	21	W10303521	Sleeve			
3	W11604794	Basepan	22	W11515437	Assembly, Evaporator and Heater			
4	12990511	Screw			(Also Order the Following Lokring™ Parts)		W11504416	8.5/6 NR MS 00 (Suction Tube to Compressor)
5	W10350564	Capacitor		W11504423	8/2 NR AL 00 (Capillary Tube to Evaporator)		W11504431	7/5 NR MS 00 (Discharge Tube to Compressor)
6	W11566589	Tube, Discharge		W11504415	8.5/8 NR MS 00 (Suction Line to Evaporator)		W11506621	6 NK MS 00 (Charging Tube to Compressor)
7	W11305540	Harness, Evaporator Heater	23	2169104	Insulation, Sound Deadening		W11506635	Tube, Charging (1/4 in w/ Schrader Valve)
8	W10655368	Pan, Drain	24	W11505534	Motor, Condenser Fan	29	10623002	Clip, Evaporator
9	W10622701	Screw	25	W11380964	Clip, Heater	30	12477202	Axle, Roller
10	W11287565	Heater, Defrost	26	W11654036	Harness, Unit (Includes Power Cord)	31	W11463236	Shroud, Condenser Fan
11	W11379613	Strap, Bale	27	W11353156	Drier (Also Order the Following Lokring™ Parts)	32	W10622099	Extension, Drain Tube
12	W11359985	Device, Start		W11504445	5/4 NR MS 00 (Heat Loop to Drier)	33	W11244122	Gasket, Foam
13	W10137529	Grommet, Condenser		W11504447	5/1.8 NR MS 00 (Capillary Tube to Drier)	34	2319835	Grommet, Condenser
14	W10236396	Strap, Compressor				35	W10815863	Clip, Condenser
15	12477102	Roller				36	W11566588	Tube, Suction REFRIGERANT CHARGE 54 grams (R600a)
16	12992101	Screw						
17	10835903	Grommet, Compressor						
18	W11353137	Condenser (Also Order the Following Lokring™ Parts)						
	W11506623	5 NK MS 00 (Discharge Tube to Condenser)						
	W11504432	6/5 NR MS 00 (Heat Loop to Condenser)						
19	W10281329	Clip, Drier						

SHELF PARTS



SHELF PARTS

<u>Illus. No.</u>	<u>Part No.</u>	<u>Description</u>	<u>Illus. No.</u>	<u>Part No.</u>	<u>Description</u>	<u>Illus. No.</u>	<u>Part No.</u>	<u>Description</u>
1	W11697422	Shelf, Stationary	9	W10840922	Knob, Side Support	17	W11702691	Frame, Crisper
2		Mount, Gear	10	W10840918	Flange, Side Support	18	W11694315	Glass, Pan Cover
	W10348259	Left Hand	11	W11694348	Pan Assembly, Crisper	19	W10273463	Ladder, Center
	W10348260	Right Hand	12	W10804977	Screw	20	W10569182	Ladder, Side
3	W10149389N	Lift, Bail Arm	13		Gear, Spur	21	12990513	Screw
4	W11700717	Brace, Crisper Support		W10474716	Left Hand	22	W10215666	Screw
5	W11705308	Support, Crisper Frame		W10474715	Right Hand	23	W11115256	Basket, Freezer (Upper)
6	W11606482	Roller Assembly, Crisper	14	W11702378	Assembly, Pan Center Support	24	W11702374	Drawer, Pantry
7	W10171558	Divider, Basket (Upper)	15	W10802333	Shaft, Rack	25	W10293682	Bin, Lower
8	W10241046	Divider, Basket (Upper)	16		Adapter, Side			
				W11702403	Left Hand			
				W11702400	Right Hand			

OPTIONAL PARTS

<u>Illus.</u> <u>No.</u>	<u>Part No.</u>	<u>Description</u>
		TOUCH-UP PAINT
	72017	White
	511873	White Porcelain (2 oz.)
		PAINT, PRESSURIZED SPRAY (12 oz.)
	350930	White
	350942	White Primer
		Important: The spray paint is not to be used where the paint may make contact with the door gaskets.
		PAINT, BULK (1 QT.)
	799344	White (Uncut)
		MISCELLANEOUS
	212643	Sealer, Gum (4 Feet)
	876370	Insulation (2 Pieces, 3" x 24" x 48")
	876305	Insulation Kit (14 Pieces, 3" x 24" x 48")
	978941	Insulation, Fiberglass (63 1/2" x 35 1/2" x 2 5/8")
	505587	Sealer, Mastic (1 Qt)
	503695	Cork, Sealer
	542638	Grease, Silicone (1/2 Oz.)
	833938	Kit, Terminal Connector
	8003RP	Kit, Water Inlet