

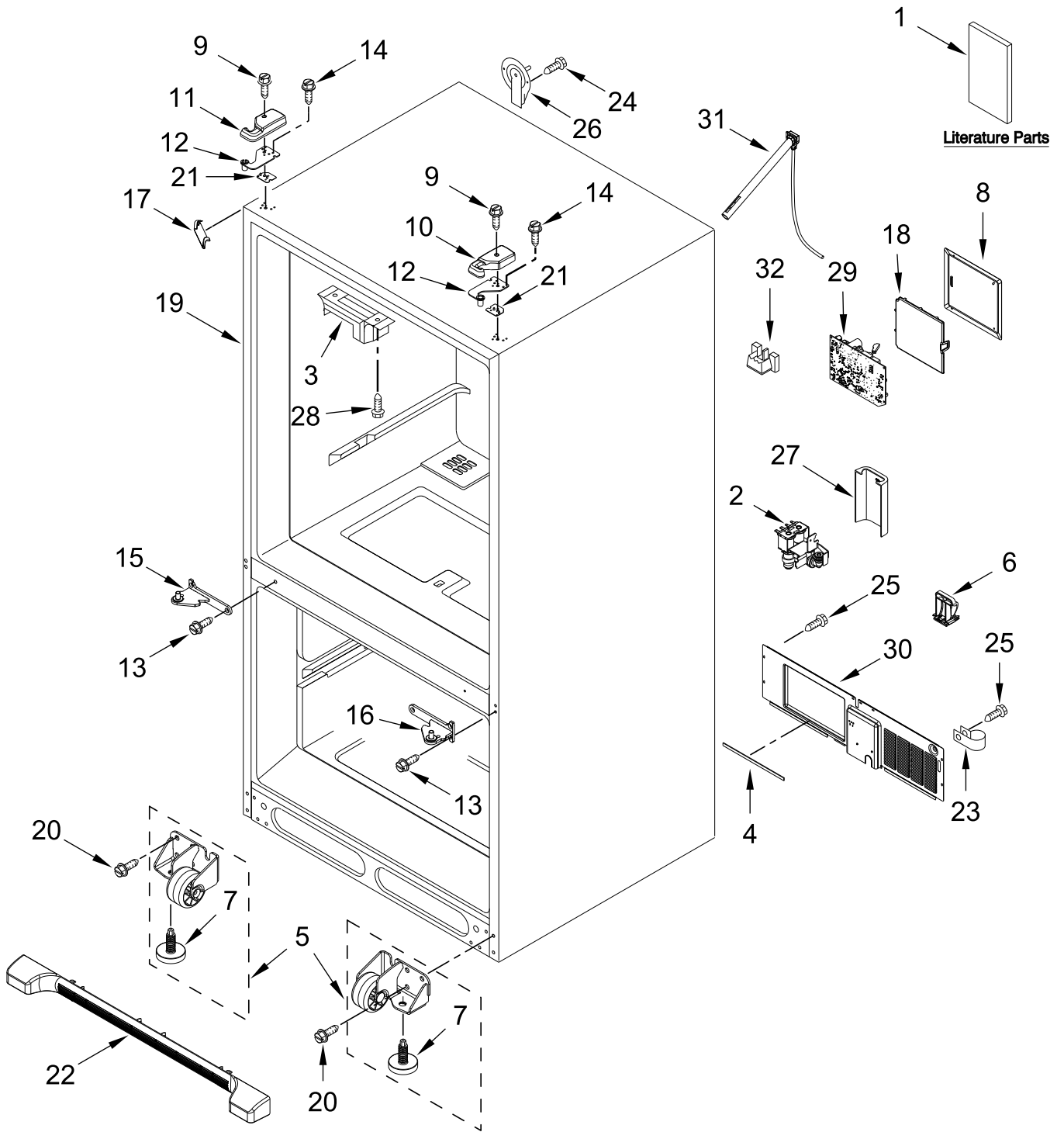


REFRIGERATOR

MODELS:

WRFC2036RW00 (White)

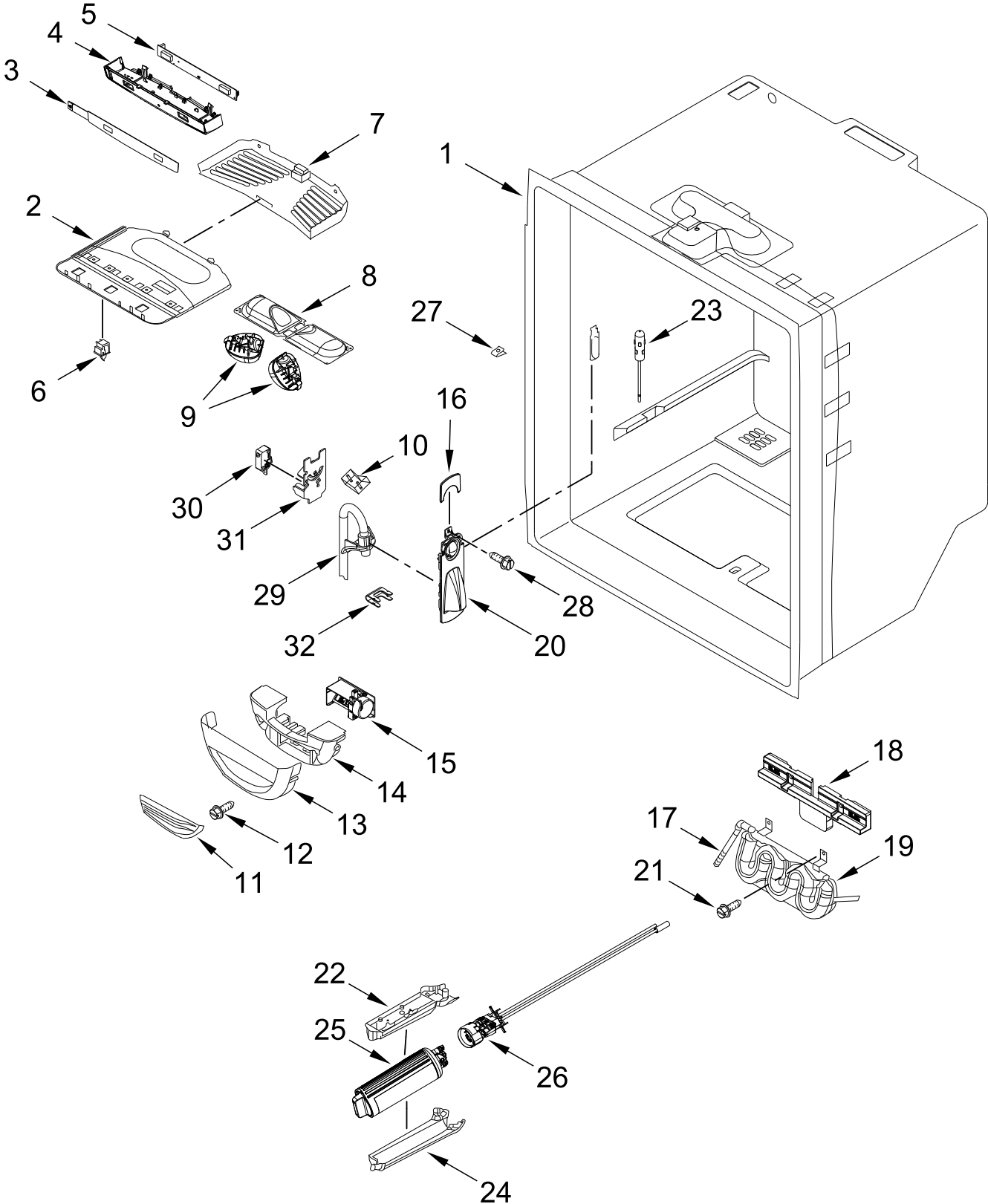
CABINET PARTS



CABINET PARTS

<u>Illus.</u> <u>No.</u>	<u>Part No.</u>	<u>Description</u>	<u>Illus.</u> <u>No.</u>	<u>Part No.</u>	<u>Description</u>	<u>Illus.</u> <u>No.</u>	<u>Part No.</u>	<u>Description</u>
1		Literature Parts	12		Hinge, Top	22		Assembly, Grille (Includes Clips)
	W11580822	Owners Manual		W11456626	Left Hand		W10534154	White
	W11665552	Tech Sheet		W11456625	Right Hand	23	M0108107	Clamp, Tube
	W11730575	Energy Guide	13	W10673840	Screw (Stainless)	24	12990504	Screw
2	W11446816	Valve, Water Inlet	14	12992403	Screw	25	12990702	Screw
3	12698403	Plate, Pivot	15		Hinge, Center	26	12726003	Cover, Water Line
4	W11534848	Gasket		W11610757	Left Hand	27	W10208593	Guard, Dual Water Valve
5		Assembly, Roller	16		Hinge, Center	28	688983	Screw
	W10515763	Left Hand		W11610758	Right Hand	29	W10317076	Board, HV Control
	W10515762	Right Hand	17		Cover, Corner	30	W10211855	Cover, Unit
6	W10528513	Sweep, Dual Tube		12587703W	White	31	W11046934	Assembly, Fill Tube (Includes Tubing, Fill Tube Elbow, Tube Insert and Clamp)
7	W10141622	Brake, Roller	18	12957702	Lid, HV Box	32	W11651067	Block, Fill Tube
8	12961602	Cover, Control Box	19		Cabinet (Not A Serviceable Part)			
9	12992602	Screw	20	W10709365	Screw			
10		Cover, Right Hinge	21		Shim, Top Hinge			
	12962302W	White		12999501	Left Hand			
11		Cover, Left Hinge		12999502	Right Hand			
	W10337634	White						

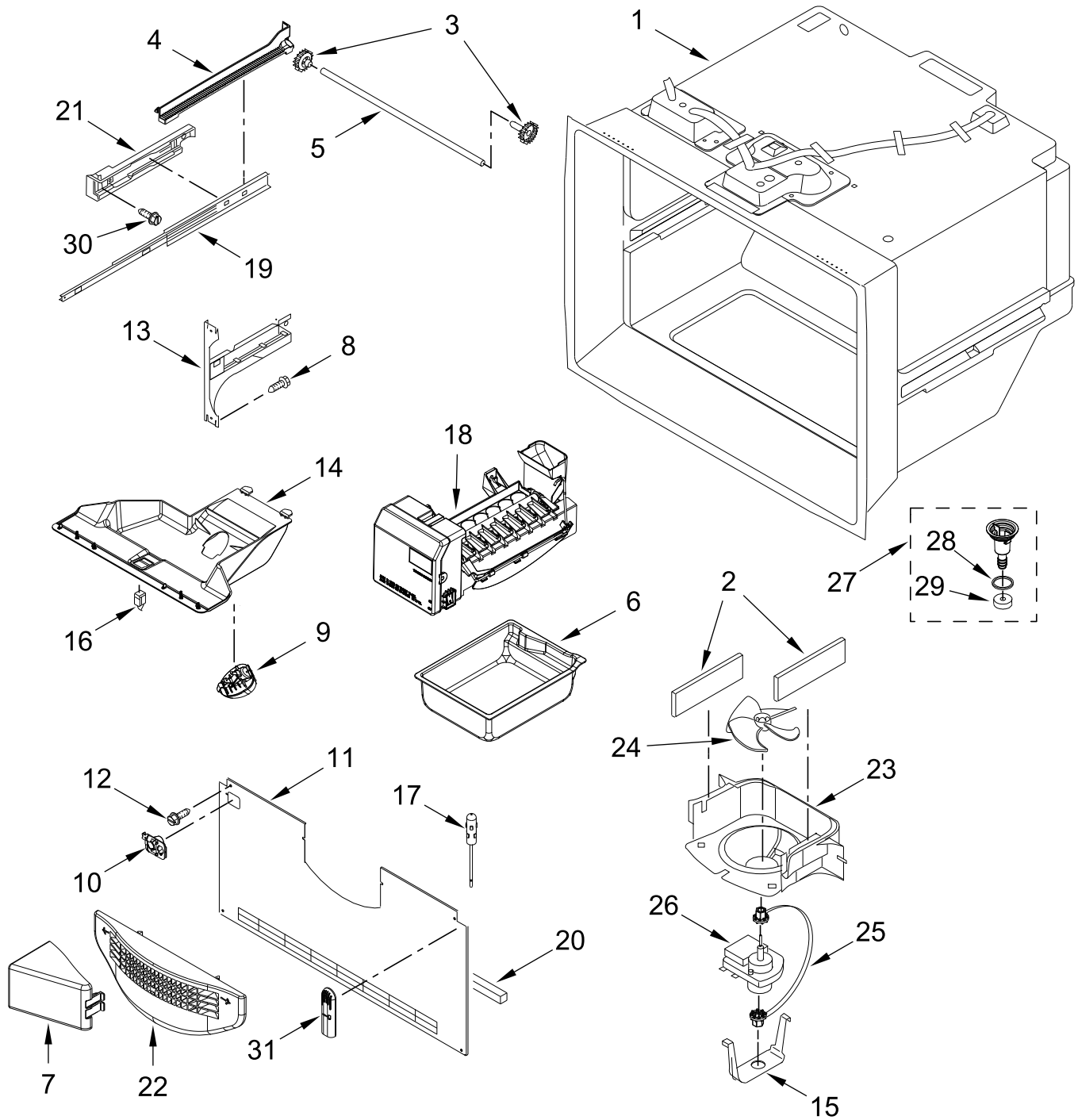
REFRIGERATOR LINER PARTS



REFRIGERATOR LINER PARTS

<u>Illus. No.</u>	<u>Part No.</u>	<u>Description</u>	<u>Illus. No.</u>	<u>Part No.</u>	<u>Description</u>	<u>Illus. No.</u>	<u>Part No.</u>	<u>Description</u>
1		Liner (Not A Serviceable Part)	14	W11657832	Insulation, Damper	27	B8390302	Clip, Facade
2	W10464764	Module, Light	15	W10594329	Control, Damper	28	12990302	Screw
3	W10746278	Overlay	16	W11437003	Facade, Dispenser (Top)	29	W11031909	Guide, Waterline
4	W10464767	Module, Control	17	61006182	Union, Water	30	W11495787	Switch, Limit
5	W11593757	Board, Control	18	W11658768	Insulation, Tank	31	W11437528	Plate, Switch
6	W10847853	Switch, Rocker	19	W11097710	Tank, Water	32	12251001	Clip, Water Tube
7	W11132917	Cover, Light	20	W11551461	Facade, Dispenser			FOLLOWING PARTS NOT ILLUSTRATED
8	W10443023	Housing, Light	21	12990512	Screw	W11609495		Harness, Fresh Food Control (Includes Thermistor)
9	W11468934	Light Module, LED	22	W11510657	Plate, Filter			
10	W11437004	Foam, Plate Switch	23	12791416	Thermistor			
11	12806801	Insert, Damper Cover	24	W11510654	Cover, Filter			
12	12990604	Screw	25	W11536439	Filter, Water			
13	12806701	Cover, Damper	26	W11519957	Manifold, Water System			

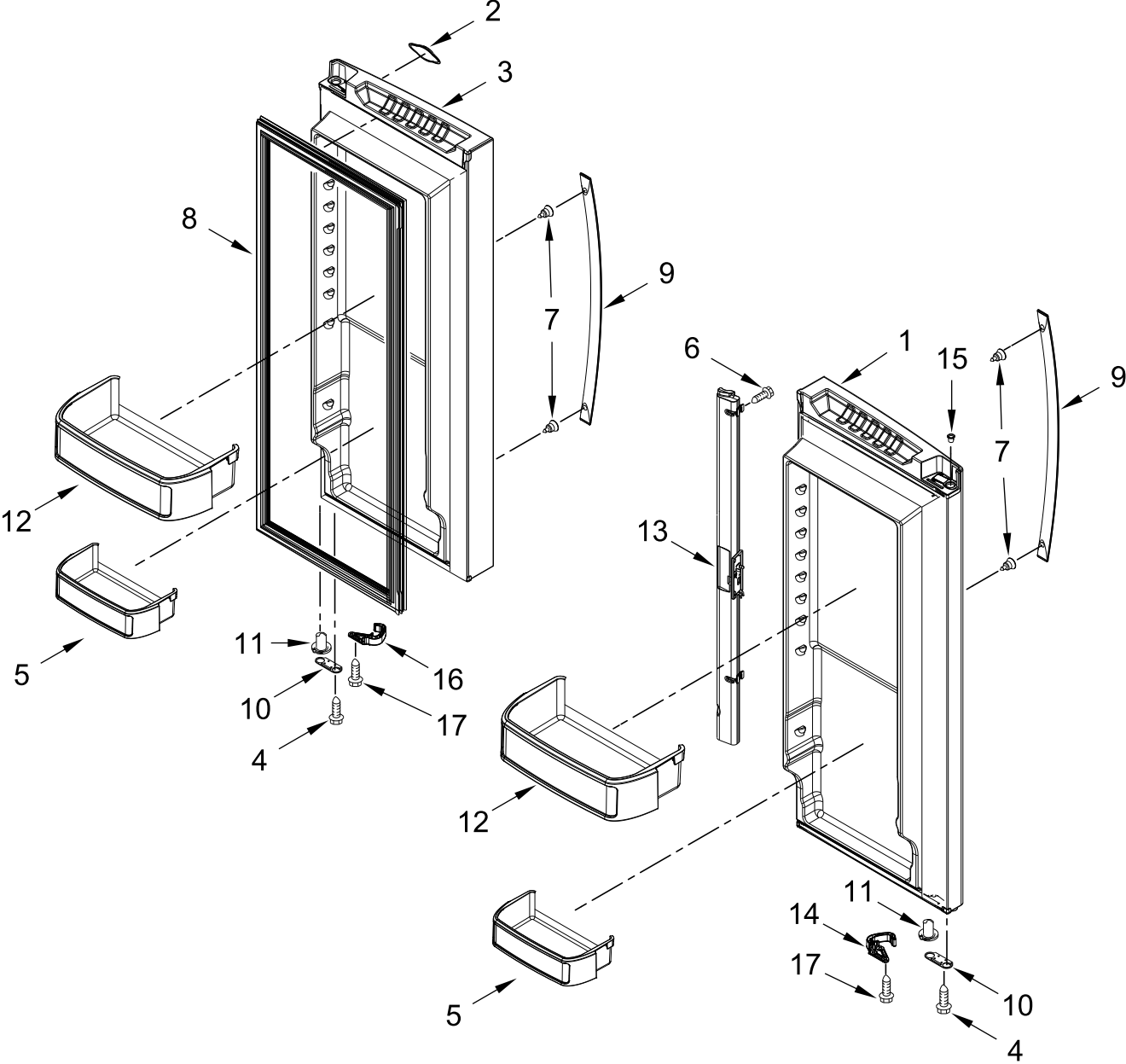
FREEZER LINER AND ICEMAKER PARTS



FREEZER LINER AND ICEMAKER PARTS

<u>Illus.</u> <u>No.</u>	<u>Part No.</u>	<u>Description</u>	<u>Illus.</u> <u>No.</u>	<u>Part No.</u>	<u>Description</u>	<u>Illus.</u> <u>No.</u>	<u>Part No.</u>	<u>Description</u>
1		Liner (Not A Serviceable Part)	13		Bracket, Door	23	13057901	Shroud, Evaporator Fan
2	A3189392	Gasket, Foam		W10330994	Left Hand	24	2169142	Blade, Fan
3	12002497	Gear		W10330995	Right Hand	25	W10150583	Grommet, Fan Motor
4		Rack, Side	14	W10277025	Module, Light	26	13062901	Motor, Evaporator
	W11310677	Left Hand	15	13058002	Clip, Evaporator Motor	27	W10662407	Assembly, Drain Funnel
	W11310678	Right Hand	16	W10847849	Switch, Light	28	M0500703	Seal
5	W10802332	Shaft, Rack	17	12791417SP	Thermistor	29	B8381501	Gasket, Drain
6	W10171529N	Pan, Ice	18	W11525253	Assembly, Complete Icemaker	30	12990501	Screw
7	W10157765	Diverter, Air	19	W11643658	Slide, Door	31	12815301	Cover, Thermistor
8	12990521	Screw	20	A3189396	Gasket			
9	W11468934	Light Module, LED	21		Adapter, Side			
10	W11341630	Guide, Fill Tube		W10284692	Left Hand			
11	W10308416	Cover, Evaporator		W10284693	Right Hand			
12	12990511	Screw	22	13024803	Grille, Freezer Air			

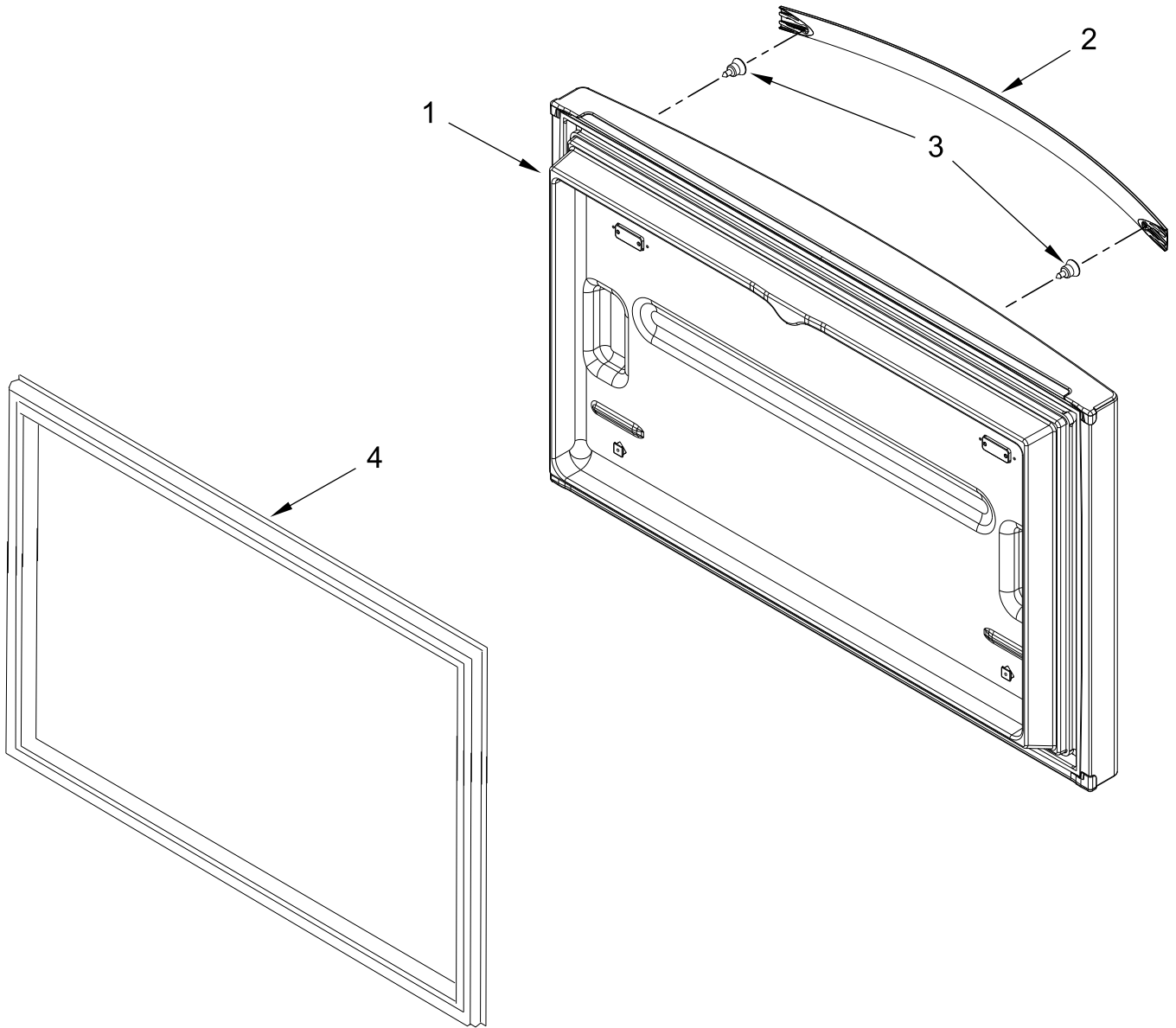
REFRIGERATOR DOOR PARTS



REFRIGERATOR DOOR PARTS

<u>Illus.</u> <u>No.</u>	<u>Part No.</u>	<u>Description</u>	<u>Illus.</u> <u>No.</u>	<u>Part No.</u>	<u>Description</u>	<u>Illus.</u> <u>No.</u>	<u>Part No.</u>	<u>Description</u>
1		Door, Left	9		Handle, Door	14		Latch, Door Closer
	W11622646	White		W11101973	White			Left Hand
2	W10884773	Badge	10		Stop, Door		W10833740	White
3		Door, Right		12968202W	White	15	12996601	Clip, Bushing
	13107887W	White	11		Closure, Door	16		Latch, Door Closer
4	12990504	Screw		12028505W	White			Right Hand
5	W11697423	Bucket, Medium	12	W11698393	Bucket, Gallon		W10833738	White
6	12990204	Screw	13		Mullion, Door	17	12990518	Screw
7	W11328753	Screw		12722803W	White			
8		Gasket, Door						
	W10830189	White						

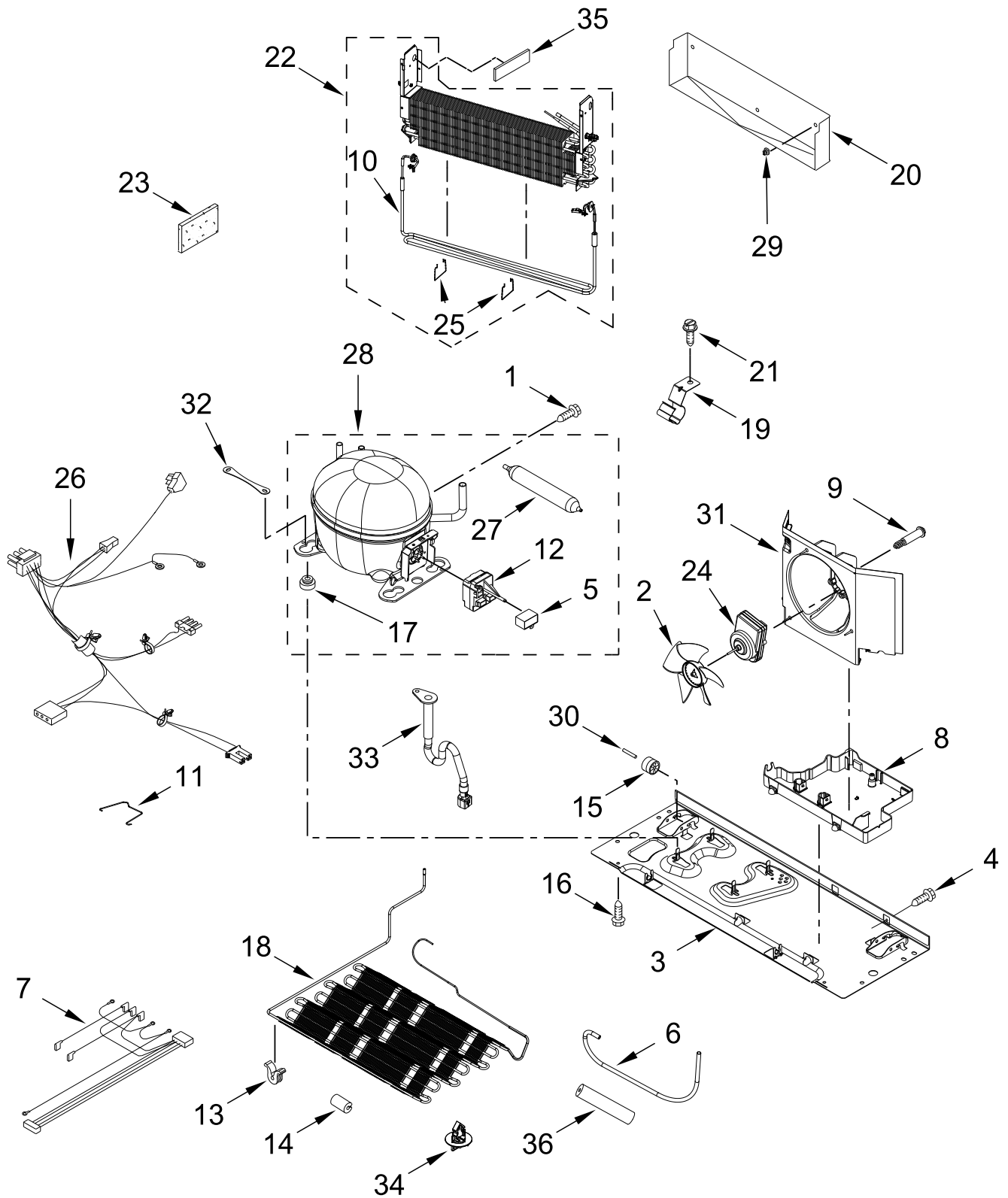
FREEZER DOOR PARTS



FREEZER DOOR PARTS

<u>Illus.</u> <u>No.</u>	<u>Part No.</u>	<u>Description</u>	<u>Illus.</u> <u>No.</u>	<u>Part No.</u>	<u>Description</u>	<u>Illus.</u> <u>No.</u>	<u>Part No.</u>	<u>Description</u>
1	12977879W	Door, Freezer White	2	W11101978	Handle, Door White	4	W10443319	Gasket, Door White
			3	W11328753	Screw			

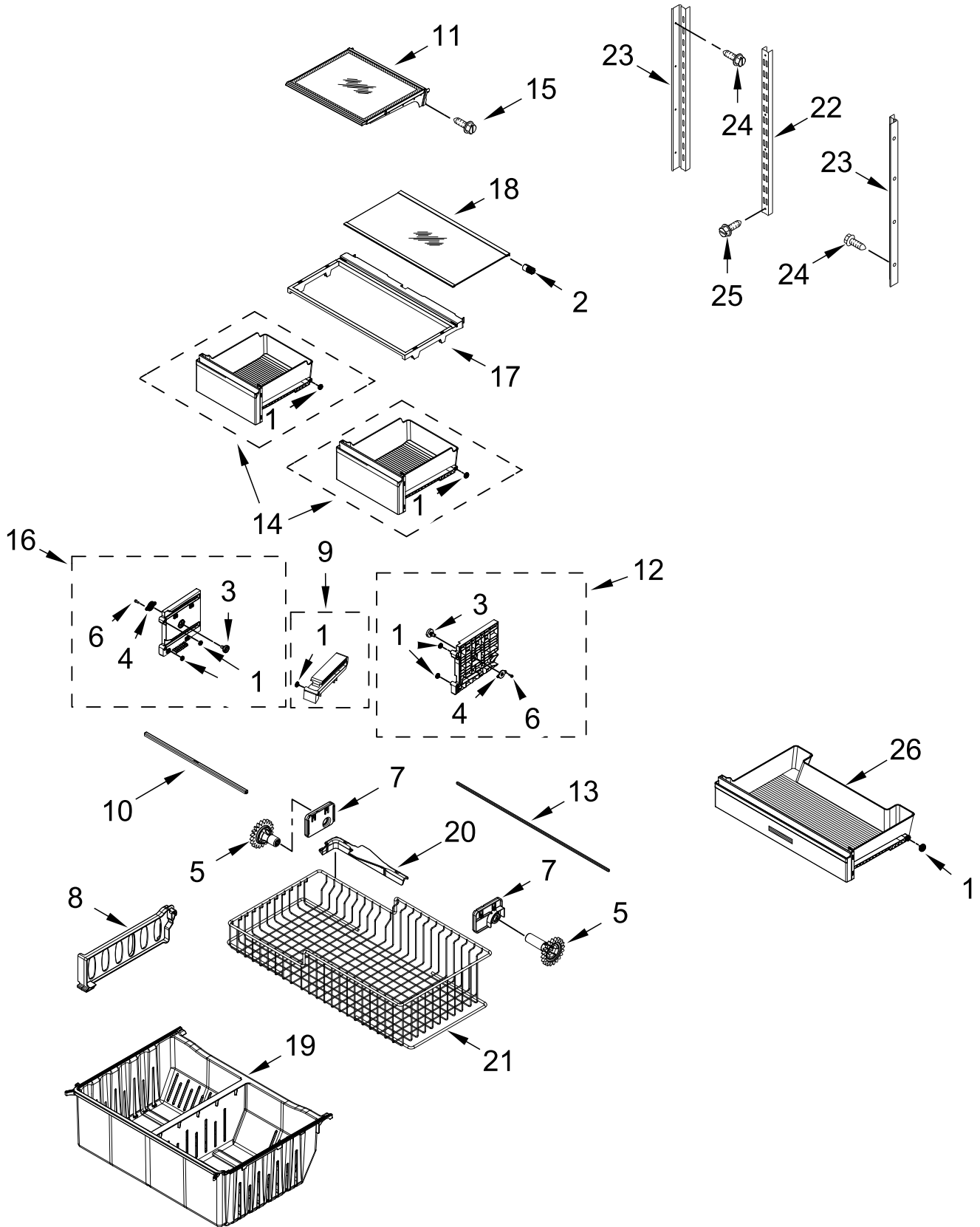
UNIT PARTS



UNIT PARTS

<u>Illus.</u> <u>No.</u>	<u>Part No.</u>	<u>Description</u>	<u>Illus.</u> <u>No.</u>	<u>Part No.</u>	<u>Description</u>	<u>Illus.</u> <u>No.</u>	<u>Part No.</u>	<u>Description</u>	
1	12992301	Screw	21	12990701	Screw	28	W11629397	Compressor (Also Order the Following Lokring™ Parts)	
2	12825803	Blade, Fan	22	W11515437	Assembly, Evaporator and Heater				
3	W11604794	Basepan			(Also Order the Following Lokring™ Parts)				
4	12990511	Screw							
5	W10350564	Capacitor					W11504416	8.5/6 NR MS 00 (Suction Tube to Compressor)	
6	W11623085	Tube, Suction							
7	W11305540	Harness, Evaporator Heater		W11504423	8/2 NR AL 00 (Capillary Tube to Evaporator)			W11504431	7/5 NR MS 00 (Discharge Tube to Compressor)
8	W10655368	Pan, Drain							
9	W10622701	Screw							
10	W11287565	Heater, Defrost							
11	W11629200	Strap, Bale							
12	W11359985	Device, Start	23	2169104	Insulation, Sound Deadening			W11506621	6 NK MS 00 (Charging Tube to Compressor)
13	W10137529	Grommet, Condenser							
14	2319835	Grommet, Condenser	24	W11505534	Motor, Condenser Fan			W11506635	Tube, Charging (1/4 in w/ Schrader Valve)
15	12477102	Roller	25	W11380964	Clip, Heater	29	10623002	Clip, Evaporator	
16	12992101	Screw	26	W11654036	Harness, Unit (Includes Power Cord)	30	12477202	Axle, Roller	
17	W11631702	Grommet	27	W10805035	Drier (Service Drier Without Dye)	31	W11463236	Shroud, Condenser Fan	
18	W11597885	Condenser (Also Order the Following Lokring™ Parts)			(Also Order the Following Lokring™ Parts)	32	W10236396	Strap, Compressor	
	W11506623	5 NK MS 00 (Discharge Tube to Condenser)				33	W10622099	Extension, Drain Tube	
	W11504432	6/5 NR MS 00 (Heat Loop to Condenser)		W11504445	5/4 NR MS 00 (Heat Loop to Drier)	34	W10815863	Clip, Condenser	
						35	W11244122	Gasket, Foam	
				W11504447	5/1.8 NR MS 00 (Capillary Tube to Drier)	36	W10303521	Sleeve REFRIGERANT CHARGE 51 grams (R600a)	
19	W10281329	Clip, Drier							
20	W11337767	Tray, Drip							

SHELF PARTS



SHELF PARTS

<u>Illus. No.</u>	<u>Part No.</u>	<u>Description</u>	<u>Illus. No.</u>	<u>Part No.</u>	<u>Description</u>	<u>Illus. No.</u>	<u>Part No.</u>	<u>Description</u>
1	W11606482	Assembly, Crisper Roller	8	W10241046	Divider, Basket (Upper)	17	W11700893	Frame, Crisper
2	W11705308	Support, Crisper Frame	9	W11694397	Assembly, Pan Center Support	18	W11694323	Cover, Glass Pan
3	W10840922	Knob, Side Support	10	W11700717	Brace, Crisper Support	19	W11028646	Bin, Lower
4	W10840918	Flange, Side Support	11	W11579004	Assembly, Shelf	20	W10149389N	Lift, Bail Arm
5		Gear	12		Endcap, Pantry	21	W11115548	Basket, Freezer (Upper)
	W10474716	Left Hand		W11694396	Right Hand	22	W10273463	Ladder, Center
	W10474715	Right Hand	13	W10802333	Shaft, Rack	23	W10569182	Ladder, Side
6	W10804977	Screw	14	W11700091	Assembly, Crisper Pan	24	12990513	Screw
7		Mount, Gear	15	12990504	Screw	25	W10215666	Screw
	W10348259	Left Hand	16		Endcap, Pantry	26	W11700092	Drawer, Pantry
	W10348260	Right Hand		W11694395	Left Hand			

OPTIONAL PARTS

<u>Illus.</u> <u>No.</u>	<u>Part No.</u>	<u>Description</u>
		TOUCH-UP PAINT
W10134625		Apollo Grey
W10917540		Midnight Grey
		MISCELLANEOUS
212643		Sealer, Gum (4 Feet)
479502		Tape, Vinyl (3/4 x 108")
876370		Insulation (2 Pieces, 3" x 24" x 48")
876305		Insulation Kit (14 Pieces, 3" x 24" x 48")
978941		Insulation, Fiberglass (63 1/2" x 35 1/2" x 2 5/8")
876029		Kit, Foam Slab (30" x 32 1/2" x 1 1/2")
505587		Sealer, Mastic (1 Qt)
503695		Cork, Sealer
542638		Grease, Silicone (1/2 Oz.)
542639		Cement, Alumilastic (1 1/4 Oz.)
833938		Kit, Terminal Connector
8003RP		Kit, Water Inlet
		TORX SCREW WRENCH
1117510		Torx Key