

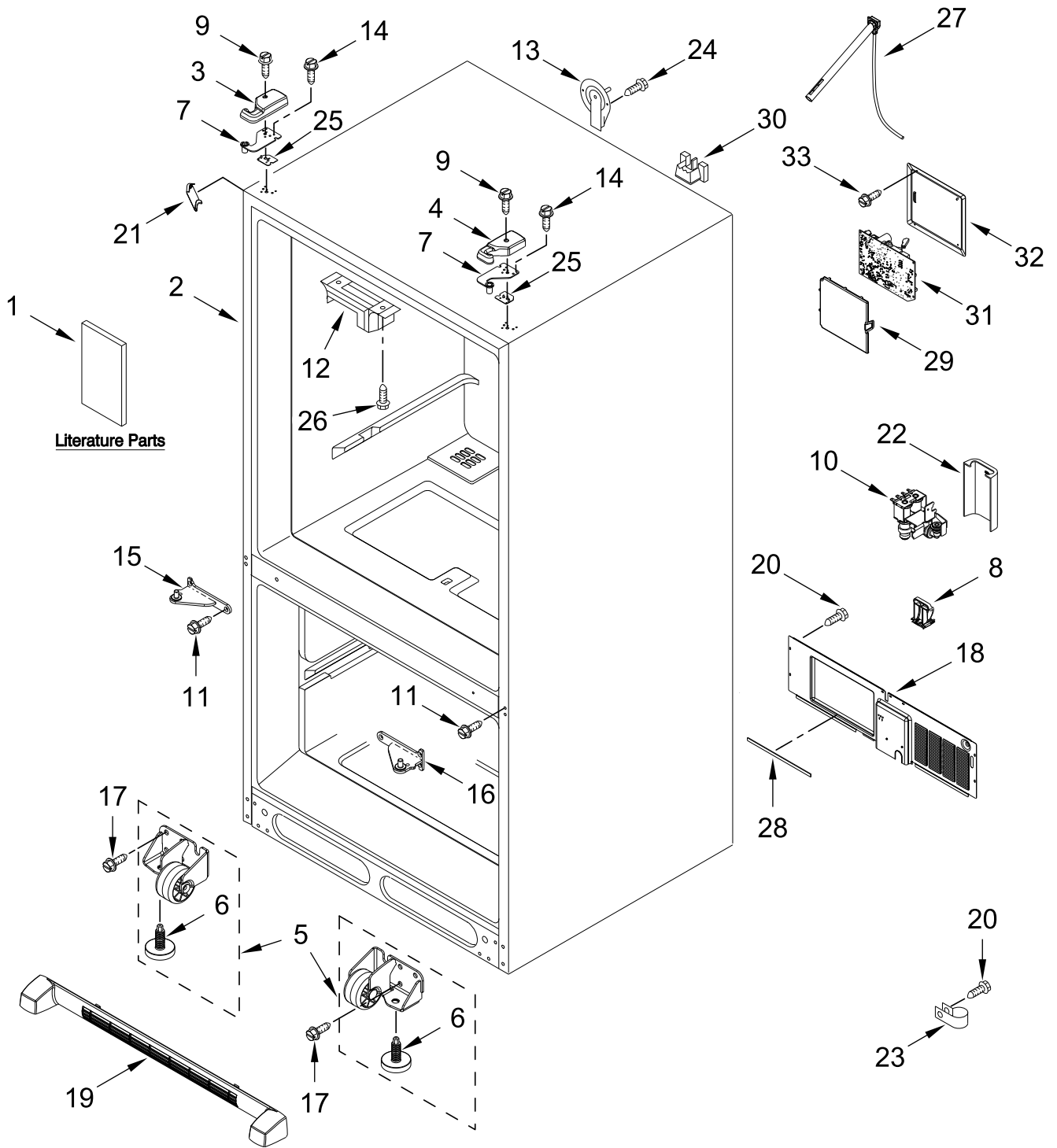


REFRIGERATOR

MODELS:

MRFF4136RZ00 (Stainless Steel)

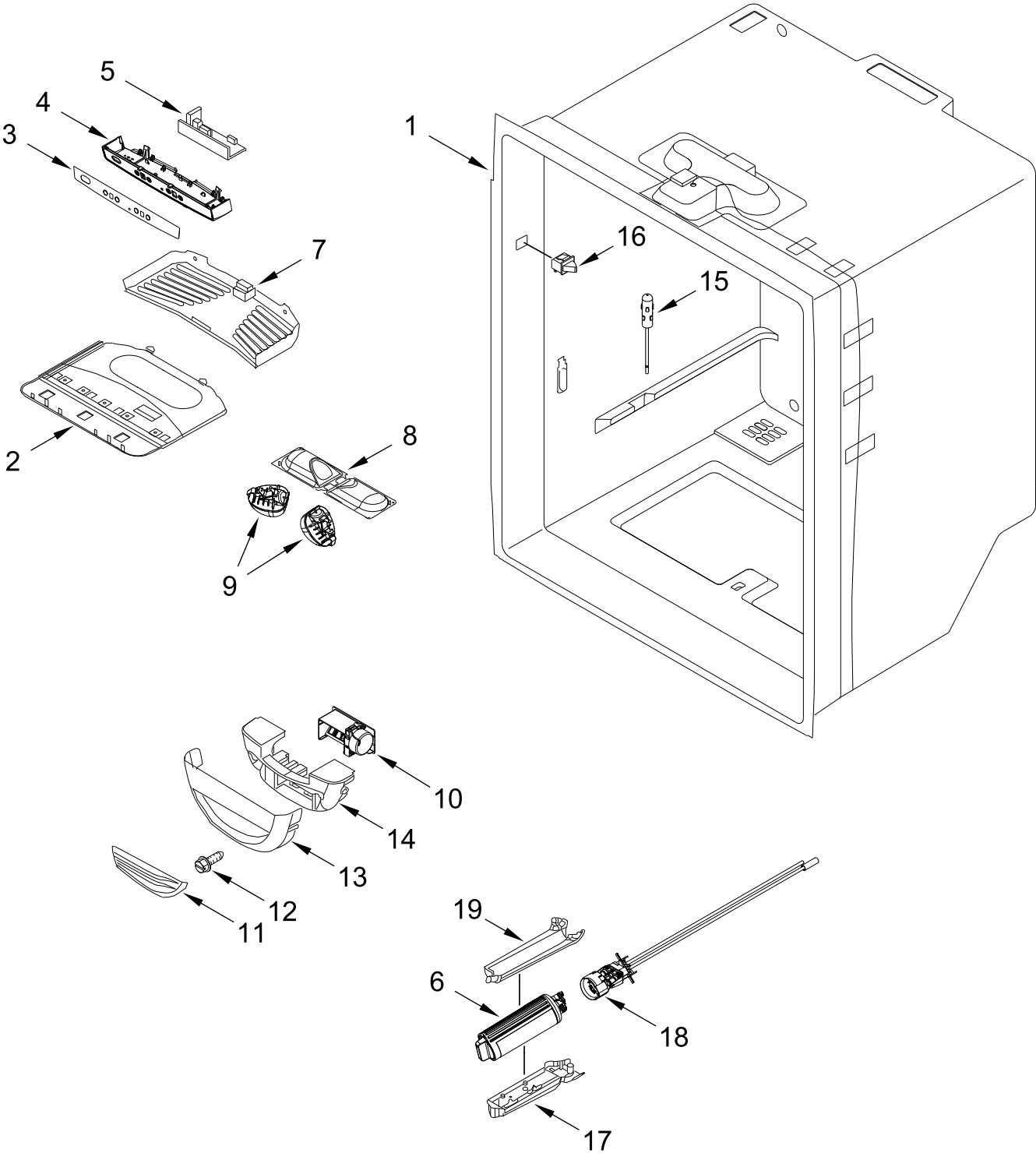
CABINET PARTS



CABINET PARTS

<u>Illus. No.</u>	<u>Part No.</u>	<u>Description</u>	<u>Illus. No.</u>	<u>Part No.</u>	<u>Description</u>	<u>Illus. No.</u>	<u>Part No.</u>	<u>Description</u>
1		Literature Parts	11	12990101	Screw	24	12991604	Screw
	W11580822	Owners Manual	12	12698403	Plate, Pivot	25		Shim, Top Hinge
	W11647521	Energy Guide	13	12726003	Cover, Water Line		12999501	Left Hand
	W11623343	Tech Sheet	14	12992403	Screw		12999502	Right Hand
2		Cabinet (Not a Servicable Part)	15		Hinge, Center Left Hand	26	688983	Screw
3		Cover, Left Hinge		W10740150	Grey	27	W11046934	Assembly, Fill Tube (Includes Tubing, Fill Tube Elbow, Tube Insert and Clamp)
	W10337648	Grey	16		Hinge, Center Right Hand	28	W11534848	Gasket
4		Cover, Right Hinge		W10740146	Grey	29	W10296541	Lid, HV Control Box
	12962302AP	Grey	17	W10709365	Screw	30	W11651067	Block, Fill Tube
5		Assembly, Roller	18	W10211855	Cover, Unit	31	W10317076	Board, HV Control
	W10515763	Left Hand	19		Grille, Toe	32	12961602	Cover, Control Box
	W10515762	Right Hand		W10534155	Grey	33	12990702	Screw
6	W10141622	Brake, Roller	20	W10141645	Screw			
7		Hinge, Top	21		Cover, Corner			
	W11456626	Left Hand		12587703AP	Grey			
	W11456625	Right Hand	22	W10208593	Guard, Dual Water Valve			
8	W10528513	Sweep, Dual Tube	23	M0108107	Clamp, Tube			
9	12992602	Screw						
10	W11446816	Valve, Water Inlet						

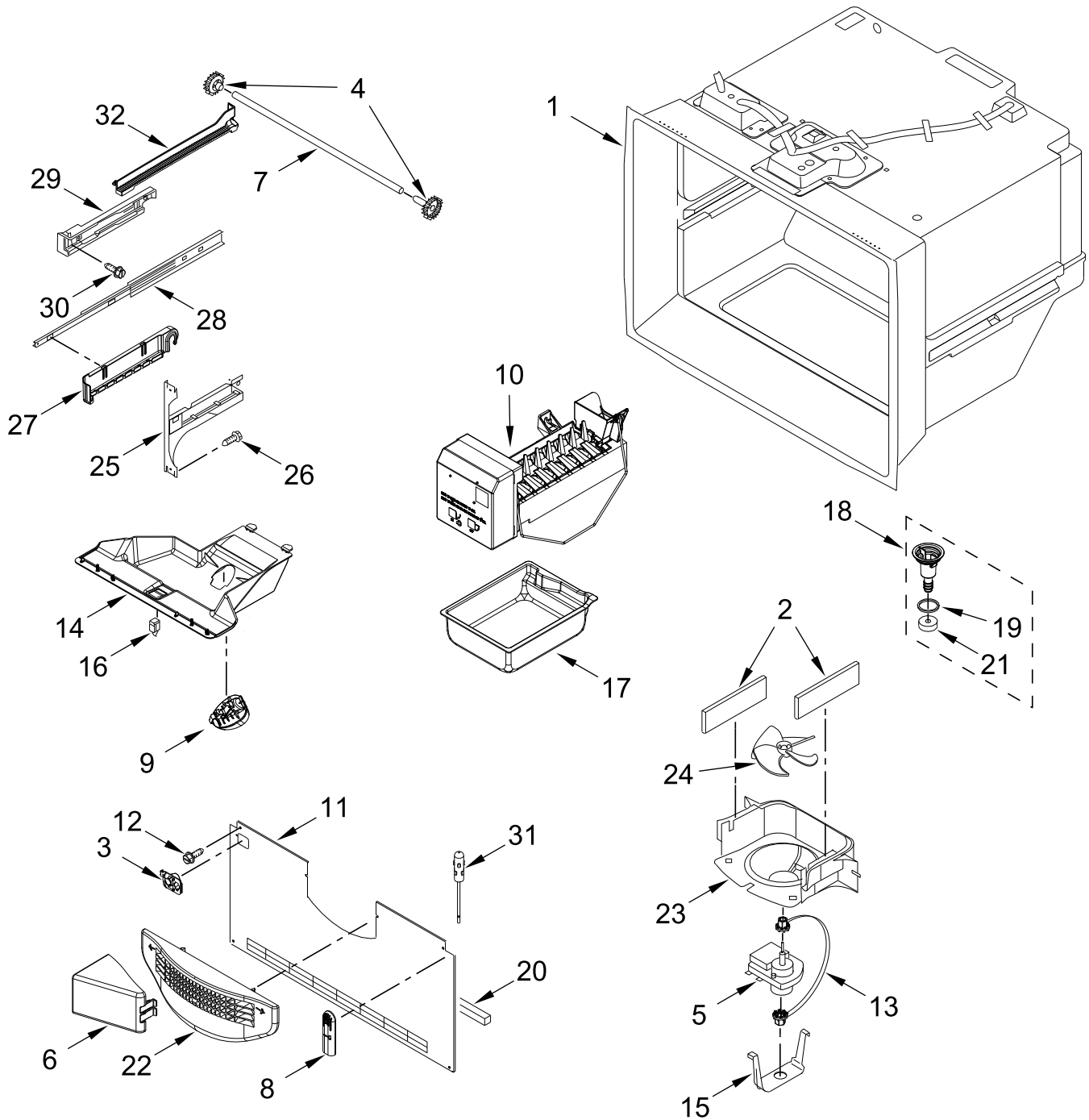
REFRIGERATOR LINER PARTS



REFRIGERATOR LINER PARTS

<u>Illus.</u> <u>No.</u>	<u>Part No.</u>	<u>Description</u>	<u>Illus.</u> <u>No.</u>	<u>Part No.</u>	<u>Description</u>	<u>Illus.</u> <u>No.</u>	<u>Part No.</u>	<u>Description</u>
1		Liner (Not A Serviceable Part)	9	W11468934	Light Module, LED	17	W11510657	Plate, Filter
2	W10464764	Module, Light	10	W10594329	Control, Damper	18	W11519957	Manifold, Water System
3	W10746278	Overlay	11	12806801	Insert, Damper Cover	19	W11510654	Cover, Filter
4	W10464767	Module, Control	12	12990604	Screw			FOLLOWING PARTS NOT ILLUSTRATED
5	W11593757	Board, Control	13	12806701	Cover, Damper			
6	W11536439	Filter, Water	14	W11657832	Insulation, Damper		W11609495	Harness, Fresh Food Control (Includes Thermistor)
7	W11132917	Cover, Light	15	12791417SP	Thermistor			
8	W10443023	Housing, Light	16	W10847853	Switch, Rocker			

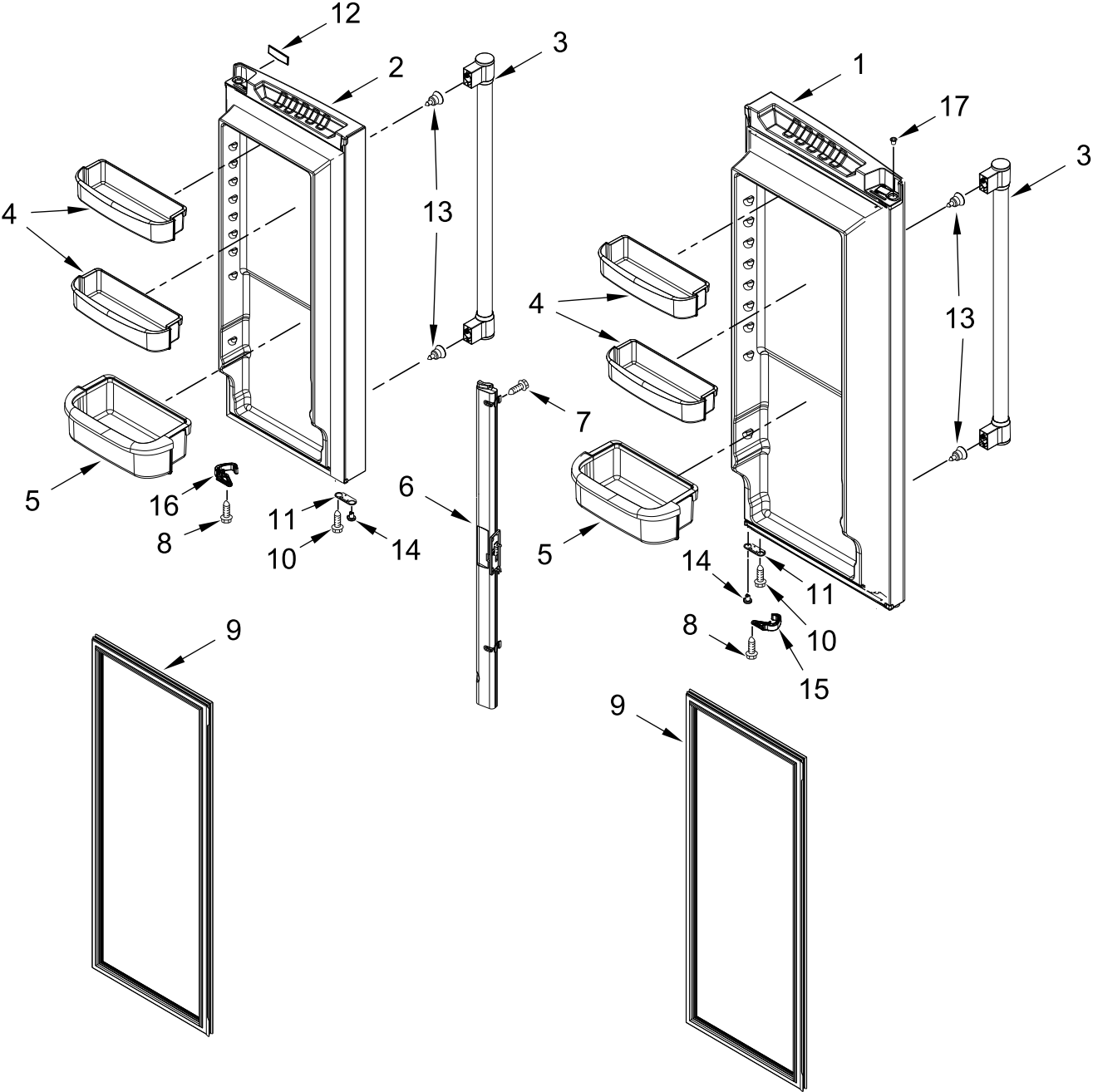
FREEZER LINER AND ICEMAKER PARTS



FREEZER LINER AND ICEMAKER PARTS

<u>Illus.</u> <u>No.</u>	<u>Part No.</u>	<u>Description</u>	<u>Illus.</u> <u>No.</u>	<u>Part No.</u>	<u>Description</u>	<u>Illus.</u> <u>No.</u>	<u>Part No.</u>	<u>Description</u>
1		Liner (Not A Serviceable Part)	15	13058002	Clip, Evaporator Motor	27		Cradle, Basket
2	A3189392	Gasket, Foam	16	W10847849	Switch, Light		W10280608	Left Hand
3	W11341630	Guide, Fill Tube	17	W10171529N	Pan, Ice		W10280613	Right Hand
4	12002497	Gear	18	W10662407	Assembly, Drain Funnel	28	W11644400	Slide, Door
5	13062901	Motor, Evaporator	19	M0500703	Seal	29		Adapter, Slide
6	W10157765	Diverter, Air	20	A3189396	Gasket		W10284684	Left Hand
7	W10802332	Shaft, Rack	21	B8381501	Gasket, Drain		W10284685	Right Hand
8	12815301	Cover, Thermistor	22	13024803	Grille, Freezer Air	30	12990501	Screw
9	W11468934	Light Module, LED	23	13057901	Shroud, Evaporator Fan	31	12791419SP	Thermistor
10	W11456887	Assembly, Icemaker (Complete)	24	2169142	Blade, Fan	32		Rail, Side
11	W10308416	Cover, Evaporator	25		Bracket, Door		W11309374	Left Hand
12	12990511	Screw		W10330991	Left Hand		W11309377	Right Hand
13	W10150583	Grommet, Fan Motor		W10330993	Right Hand			
14	W10277025	Module, Light	26	12990521	Screw			

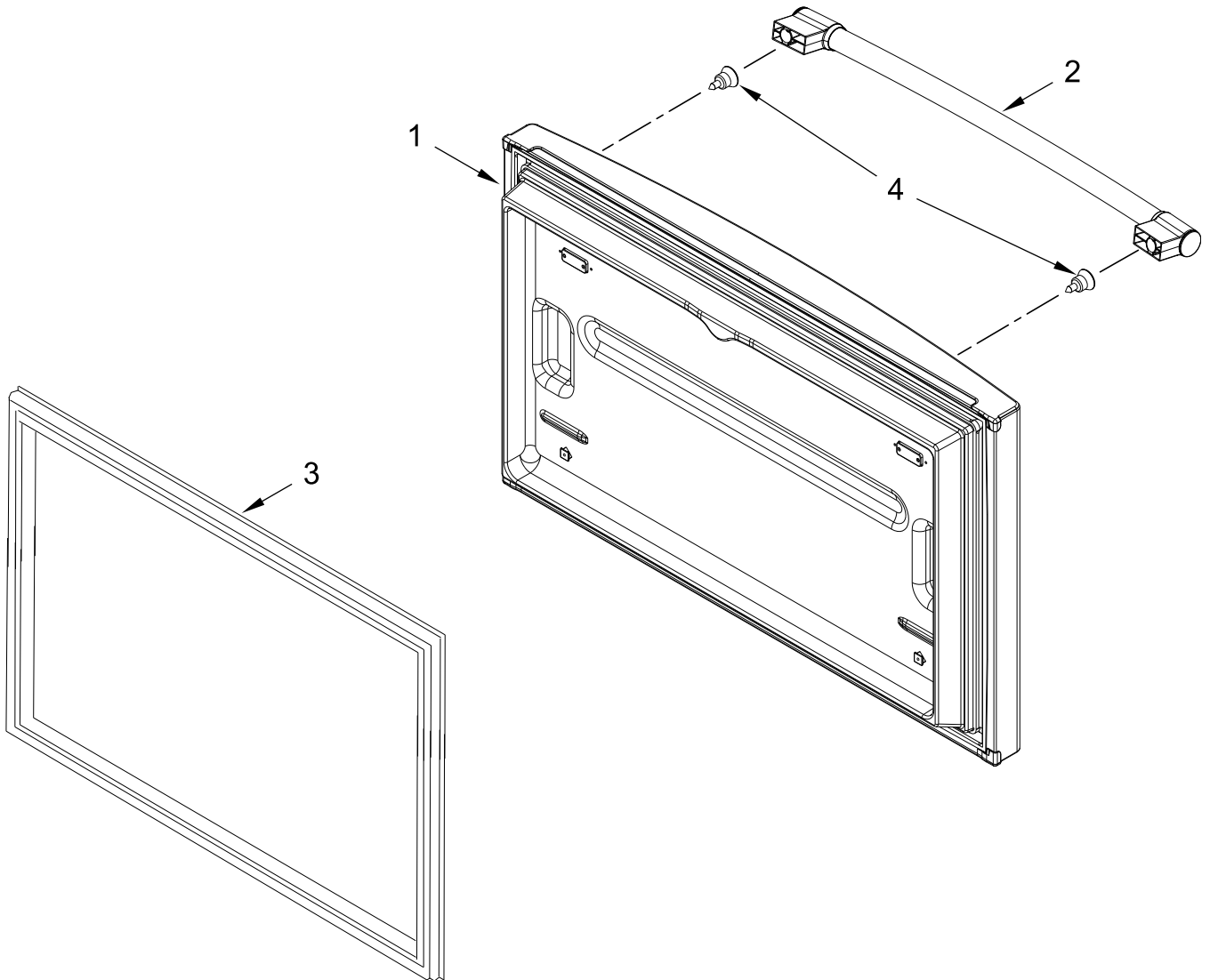
REFRIGERATOR DOOR PARTS



REFRIGERATOR DOOR PARTS

<u>Illus. No.</u>	<u>Part No.</u>	<u>Description</u>	<u>Illus. No.</u>	<u>Part No.</u>	<u>Description</u>	<u>Illus. No.</u>	<u>Part No.</u>	<u>Description</u>
1		Door, Left	7	12990204	Screw	15		Latch, Door Closer
	W11622647	Stainless	8	12990518	Screw			Left Hand
2		Door, Right	9		Gasket, Door		W10833741	Grey
	W11377201	Stainless		W10830162	Grey	16		Latch, Door Closer
3		Handle, Door	10	12990504	Screw			Right Hand
	W11657843	Stainless	11		Stop, Door		W10833739	Grey
4	W10324005	Bin, Shelf (Medium)		12968202AP	Grey	17	12996601	Clip, Bushing
5	W10289494	Bin, Shelf (Gallon)	12	W11628148	Badge			
6		Mullion, Door	13	W11328753	Screw			
	12722803APN	Grey	14		Closure, Door			
				12028505AP	Grey			

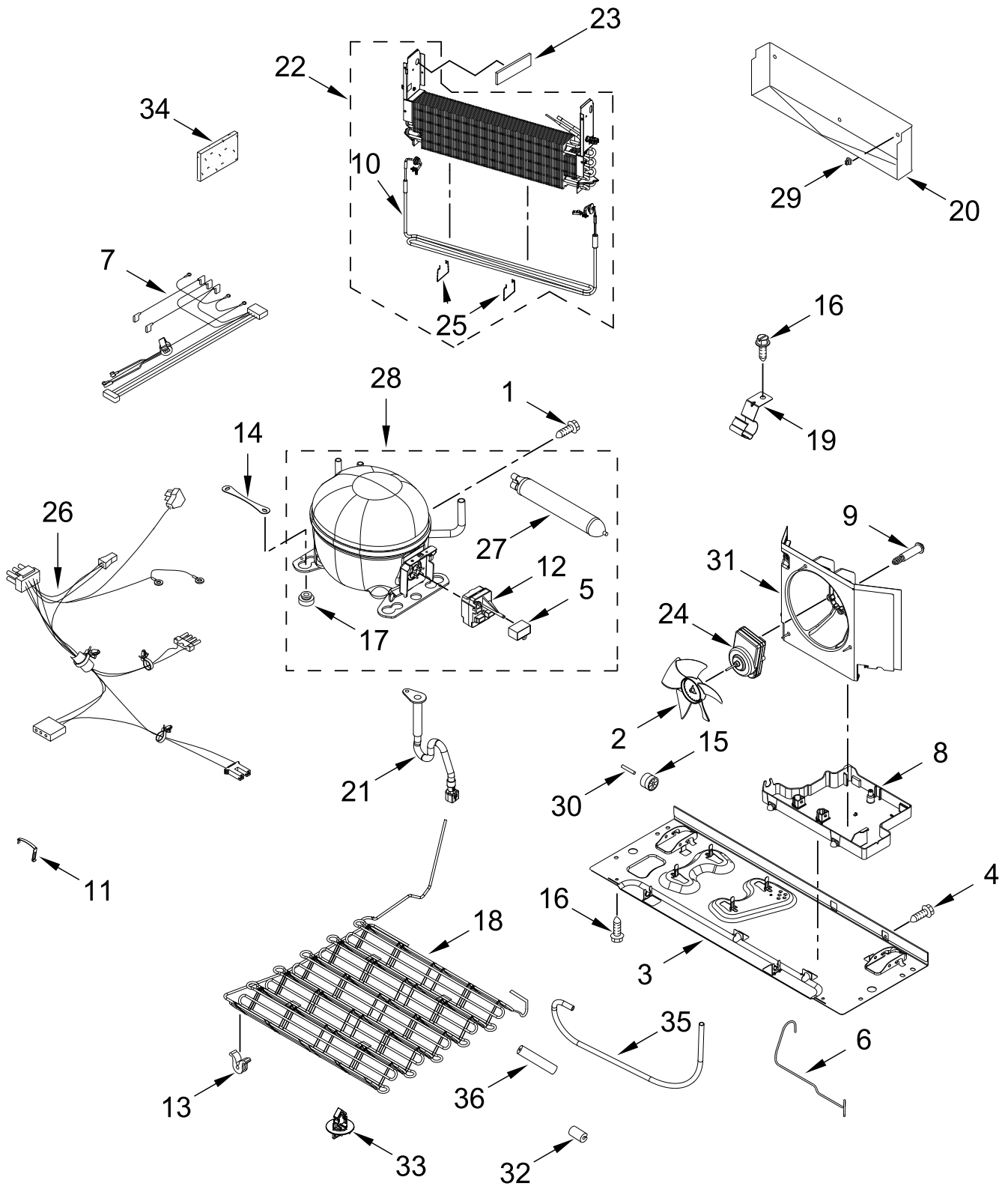
FREEZER DOOR PARTS



FREEZER DOOR PARTS

<u>Illus.</u> <u>No.</u>	<u>Part No.</u>	<u>Description</u>	<u>Illus.</u> <u>No.</u>	<u>Part No.</u>	<u>Description</u>	<u>Illus.</u> <u>No.</u>	<u>Part No.</u>	<u>Description</u>
1	W11377193	Door, Freezer Stainless	2	W11699486	Handle, Door Stainless	3	W10443320	Gasket, Door Grey
						4	W11328753	Screw

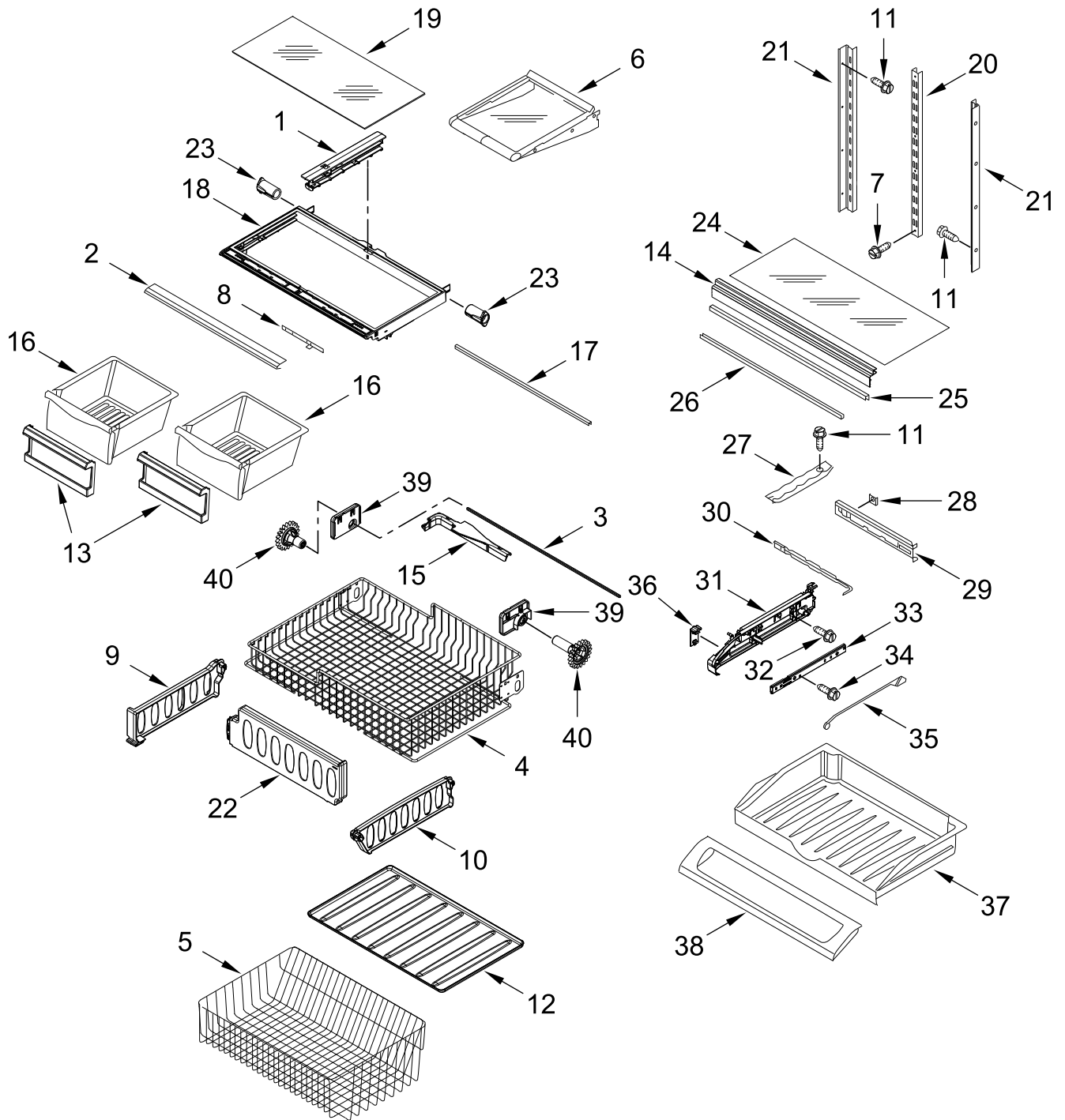
UNIT PARTS



UNIT PARTS

<u>Illus.</u> <u>No.</u>	<u>Part No.</u>	<u>Description</u>	<u>Illus.</u> <u>No.</u>	<u>Part No.</u>	<u>Description</u>	<u>Illus.</u> <u>No.</u>	<u>Part No.</u>	<u>Description</u>
1	12992301	Screw	19	W10281329	Clip, Drier	28	W11332031	Compressor (Also Order the Following Lokring Parts)
2	12825803	Blade, Fan	20	W11337767	Tray, Drip			
3	W10480111	Basepan	21	W10622099	Extension, Drain Tube			
4	12990511	Screw	22	W11515437	Assembly, Evaporator and Heater	W11504416	8.5/6 NR MS 00 (Suction Tube to Compressor)	
5	W10350564	Capacitor				W11504431	7/5 NR MS 00 (Discharge Tube to Compressor)	
6	W11566589	Tube, Discharge						
7	W11305540	Harness, Evaporator Heater						
8	W10655368	Pan, Drain	W11504423	8/2 NR AL 00 (Capillary Tube to Evaporator)		W11506621	6 NK MS 00 (Charging Tube to Compressor)	
9	W10622701	Screw						
10	W11287565	Heater, Defrost	W11504415	8.5/8 NR MS 00 (Suction Line to Evaporator)		W11506635	Tube, Charging (1/4 in w/ Schrader Valve)	
11	W11379613	Strap, Bale						
12	W11359985	Device, Start						
13	W10137529	Grommet, Condenser	23	W11244122	Gasket, Foam	29	10623002	Clip, Evaporator
14	W10236396	Strap, Compressor	24	W11505534	Motor, Condenser Fan	30	12477202	Axle, Roller
15	12477102	Roller	25	W11380964	Clip, Heater	31	W11463236	Shroud, Condenser Fan
16	12992101	Screw	26	W11654036	Harness, Unit (Includes Power Cord)	32	2319835	Grommet, Condenser
17	10835903	Grommet	27	W11353156	Drier (Also Order the Following Lokring Parts)	33	W10815863	Clip, Condenser
18	W11353137	Condenser (Also Order the Following Lokring Parts)				34	2169104	Insulation, Sound Deadening
	W11506623	5 NK MS 00 (Discharge Tube to Condenser)		W11504445	5/4 NR MS 00 (Heat Loop to Drier)	35	W11566588	Tube, Suction
	W11504432	6/5 NR MS 00 (Heat Loop to Condenser)		W11504447	5/1.8 NR MS 00 (Capillary Tube to Drier)	36	W10303521	Sleeve REFRIGERANT CHARGE 54 grams (R600a)

SHELF PARTS



SHELF PARTS

<u>Illus.</u> <u>No.</u>	<u>Part No.</u>	<u>Description</u>	<u>Illus.</u> <u>No.</u>	<u>Part No.</u>	<u>Description</u>	<u>Illus.</u> <u>No.</u>	<u>Part No.</u>	<u>Description</u>
1	W10326469N	Rail, Center Crisper	15	W10149389N	Lift, Bail Arm	31		Endcap, Pantry
2	W10231345N	Trim, Crisper	16	12804601SP	Pan, Crisper		W10845509	Left Hand
3	W10802333	Shaft, Rack	17	12642303WD	Brace, Crisper Cover		W10845508	Right Hand
4	W11115256	Basket, Freezer (Upper)	18	W10329866	Frame, Crisper	32	12990504	Screw
5	W11115781	Basket, Freezer (Lower)	19	12204824N	Glass, Shelf	33	W10235370	Glide, Pantry
6	W11363286	Assembly, Shelf	20	W10273463	Ladder, Center	34	12990512	Screw
7	W10215666	Screw	21	W10569182	Ladder, Side	35	12655304	Bar, Control
8	12530805SP	Slide, Humidity Control	22	W10171558	Divider, Basket (Upper)	36	12655204	Knob, Temperature Control
9	W10241046	Divider, Basket (Upper)	23	13062602	Support, Crisper Frame	37	12731302	Drawer, Pantry
10	W10146440	Divider, Basket (Lower)	24	W10893772	Glass, Shelf	38	12656813	Lid, Pantry
11	12990513	Screw	25	W10528935	Support, Glass	39		Mount, Gear
12	13025201	Tray, Lower Basket	26	12227305WH	Brace, Pantry		W10348259	Left Hand
13	12802602SP	Front, Crisper Pan	27	12531901	Track, Deli Drawer		W10348260	Right Hand
14	W10528933	Support, Glass (Includes Pantry Brace)	28	12656901	Gasket, Pantry	40		Gear, Spur
			29	12656202	Housing, Control		W10474716	Left Hand
			30	12655402	Slide, Temperature Control		W10474715	Right Hand

OPTIONAL PARTS

<u>Illus.</u> <u>No.</u>	<u>Part No.</u>	<u>Description</u>
		TOUCH-UP PAINT
W10134625		Apollo Grey
W10917540		Midnight Grey
		MISCELLANEOUS
212643		Sealer, Gum (4 Feet)
479502		Tape, Vinyl (3/4 x 108")
876370		Insulation (2 Pieces, 3" x 24" x 48")
876305		Insulation Kit (14 Pieces, 3" x 24" x 48")
978941		Insulation, Fiberglass (63 1/2" x 35 1/2" x 2 5/8")
876029		Kit, Foam Slab (30" x 32 1/2" x 1 1/2")
505587		Sealer, Mastic (1 Qt)
503695		Cork, Sealer
542638		Grease, Silicone (1/2 Oz.)
542639		Cement, Alumilastic (1 1/4 Oz.)
833938		Kit, Terminal Connector
8003RP		Kit, Water Inlet
		TORX SCREW WRENCH
1117510		Torx Key