

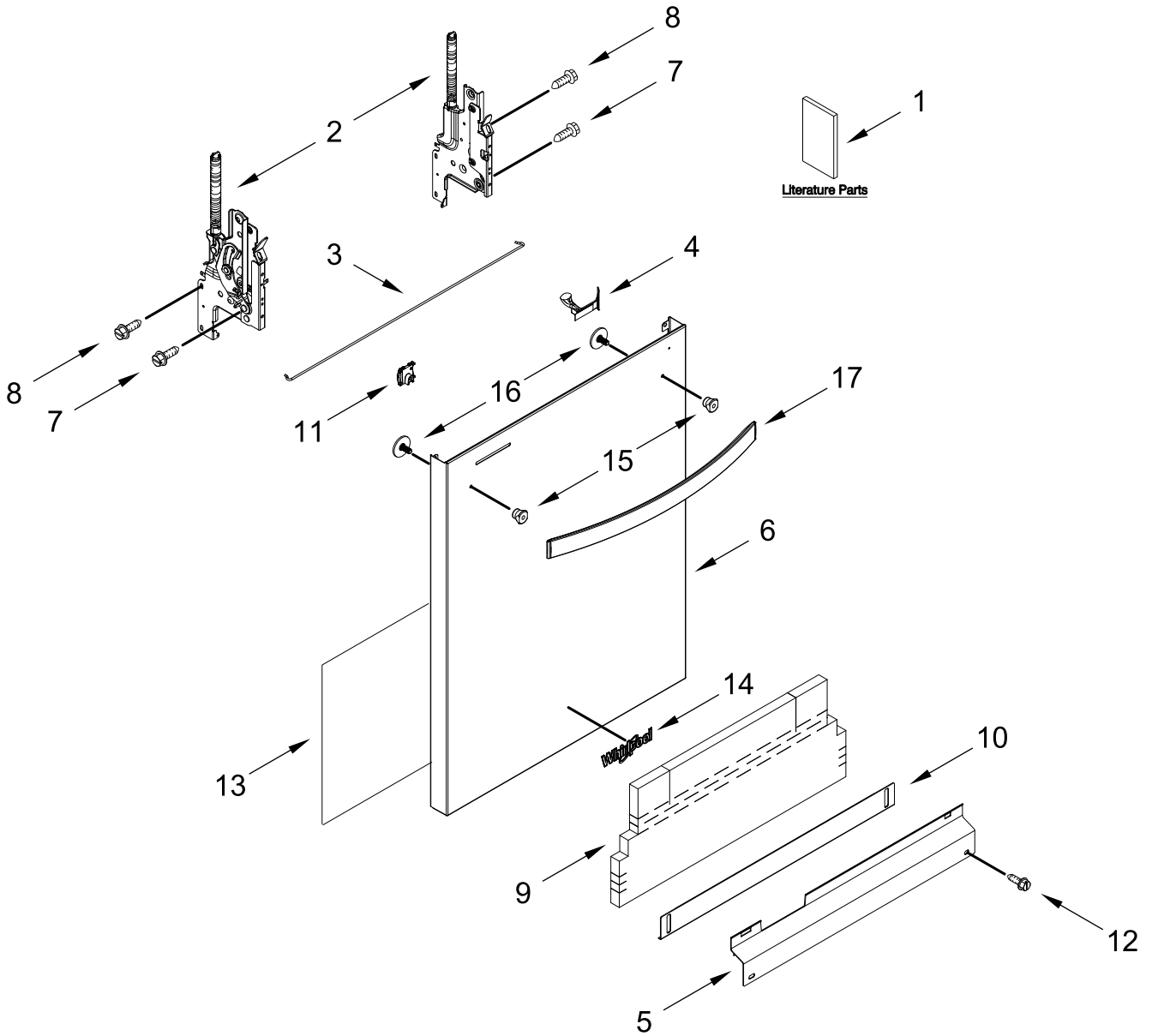


Dishwasher

MODELS:

WDT740SALB2 (Black)
WDT740SALW2 (White)
WDT740SALZ2 (Stainless)

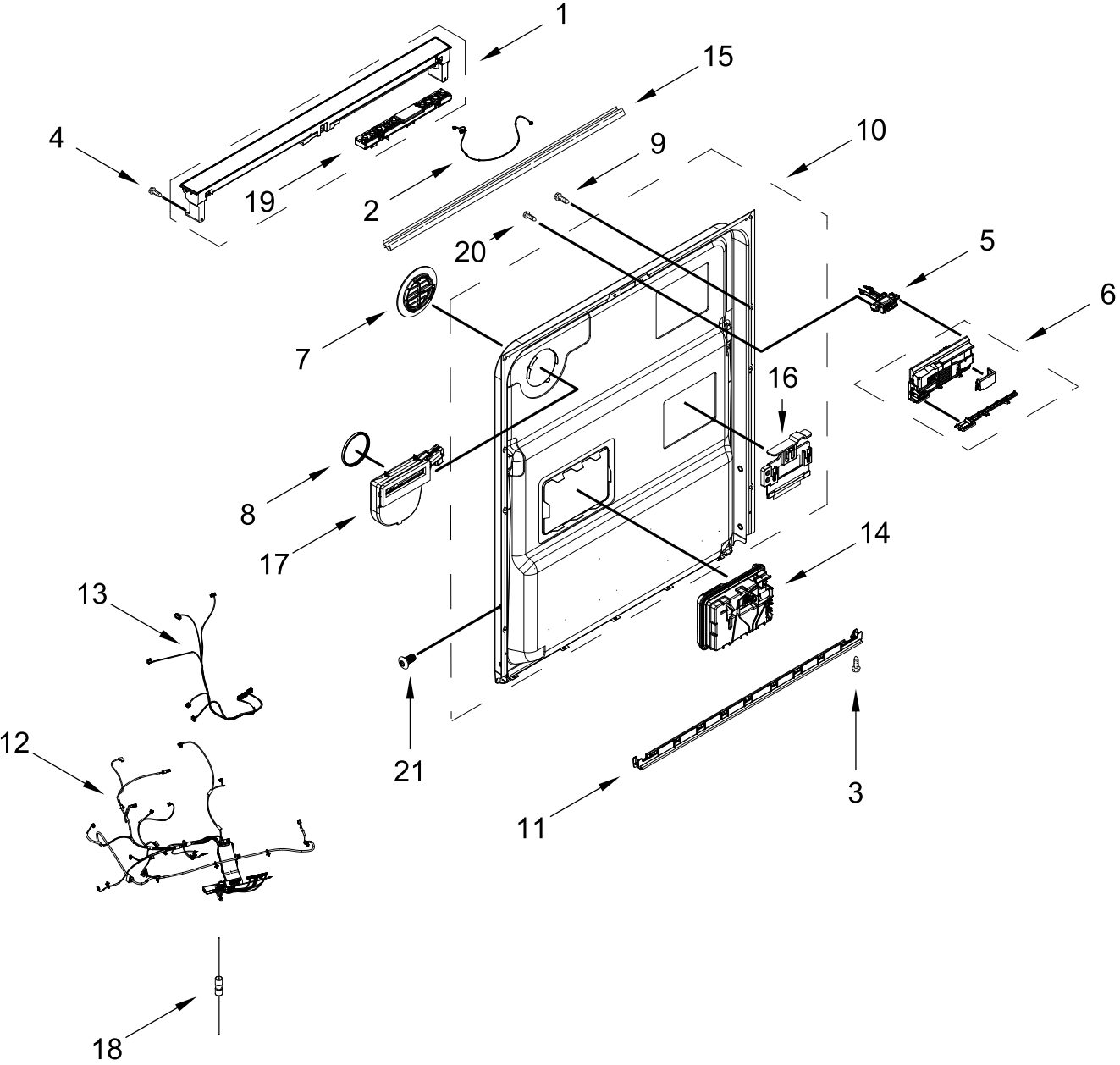
DOOR AND PANEL PARTS



DOOR AND PANEL PARTS

| <u>Illus. No.</u> | <u>Part No.</u> | <u>Description</u> | <u>Illus. No.</u> | <u>Part No.</u> | <u>Description</u> | <u>Illus. No.</u> | <u>Part No.</u> | <u>Description</u> |
|-------------------|-----------------|--------------------|-------------------|-----------------|------------------------------------|-------------------|-----------------|-------------------------|
| 1 | | Literature Parts | 6 | | Panel, Front (Includes 4, 11 & 14) | 12 | W11438978 | Screw, Black |
| | W11323304 | Owners Manual | | W11340869 | Black | | W11438977 | Screw, White |
| | W11650524 | Energy Guide | | W11340870 | White | 13 | W10919861 | Insulation, Front Panel |
| | W11366143 | Tech Sheet | | W11340871 | Stainless | 14 | W10884775 | Badge |
| 2 | | Arm, Hinge | 7 | 3400000 | Screw | 15 | W11049903 | Stud, Mounting |
| | W10920232 | Left Hand | 8 | W11364953 | Screw | 16 | W10316572 | Screw |
| | W10920230 | Right Hand | 9 | W11038694 | Insulation, Single Layer | 17 | | Handle |
| 3 | W11377160 | Cross Brace, Door | | | | | W11439701 | Black |
| 4 | W11102920 | Light Pipe | 10 | | Toe Panel | | W11439697 | White |
| 5 | | Access Panel | | W11467733 | Black | | W11554913 | Stainless |
| | W11108979 | Black | | W11467726 | White | | | |
| | W11110746 | White | 11 | W10692757 | Barrel Nut, Front Panel | | | |

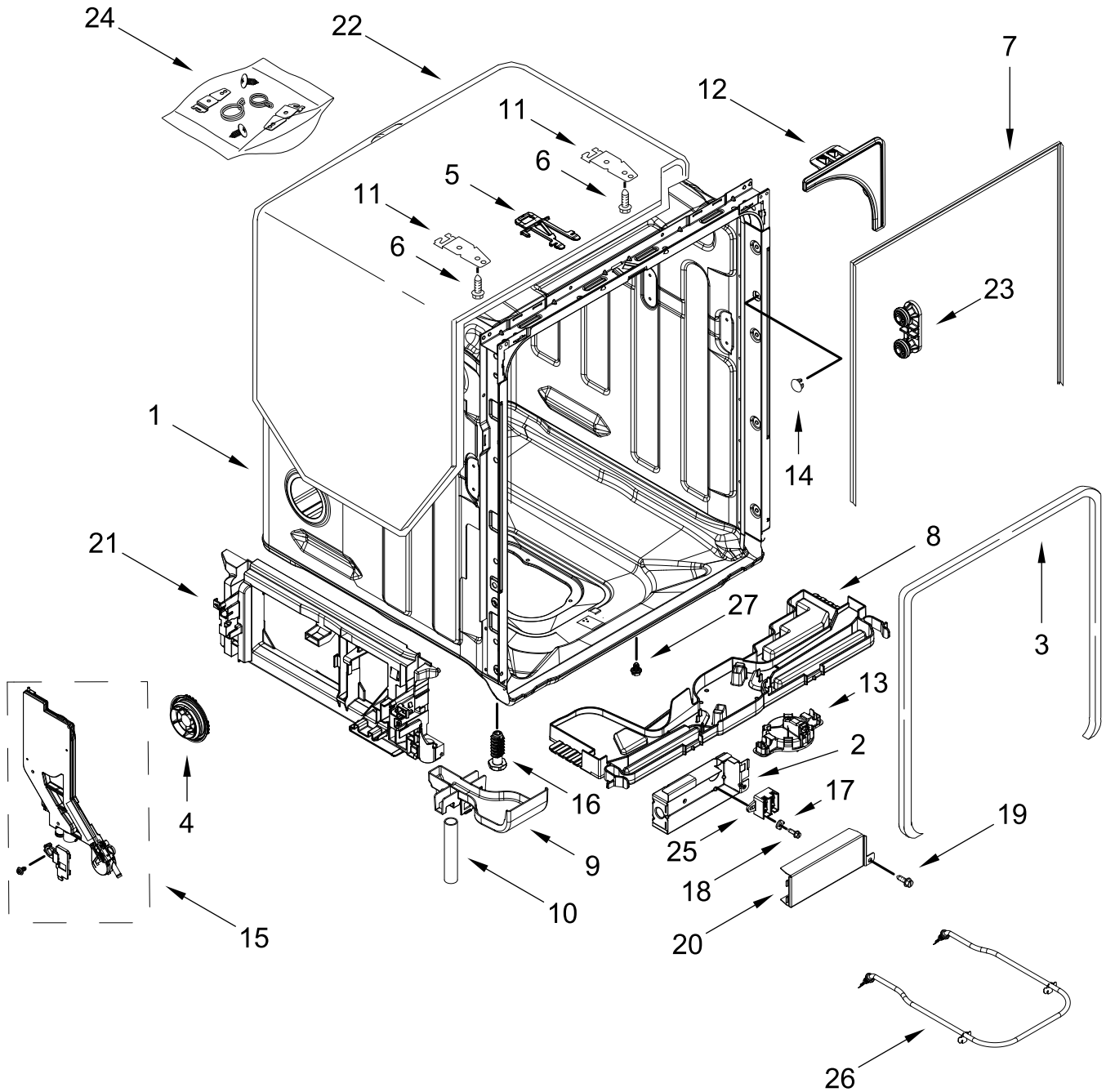
CONTROL PANEL AND INNER DOOR PARTS



CONTROL PANEL AND INNER DOOR PARTS

| <u>Illus.</u> <u>No.</u> | <u>Part No.</u> | <u>Description</u> | <u>Illus.</u> <u>No.</u> | <u>Part No.</u> | <u>Description</u> | <u>Illus.</u> <u>No.</u> | <u>Part No.</u> | <u>Description</u> |
|-----------------------------|-----------------|-------------------------------------|-----------------------------|-----------------|---|-----------------------------|-----------------|--------------------|
| 1 | | Console Cap | 9 | W10348409 | Screw | 18 | W11397505 | Fuse, In-line |
| | W11491730 | Black | 10 | W11098822 | Inner Door Assembly | 19 | W11131369 | Housing, UI |
| | W11491731 | White | 11 | W11563231 | Seal, Door Bottom | 20 | W10348408 | Screw |
| 2 | W11084865 | Jumper, Door | 12 | W11216817 | Wiring Harness, Main (Includes Thermostat & Fuse) | 21 | 3400071 | Screw |
| 3 | W11258418 | Screw | 13 | W11084845 | Wiring Harness, Inner Door | | | |
| 4 | W10711884 | Screw (Long) | 14 | W11092649 | Dispenser Assembly | | | |
| 5 | W11091934 | Latch Assembly (Includes Switch) | 15 | W11265187 | Seal, Console/Door | | | |
| 6 | W11563997 | Control, Electronic | 16 | W11088985 | Hanger, Control | | | |
| 7 | W11025634 | Bezel, Vent (Also Order Gasket) | 17 | W11527847 | Vent Assembly (Also Order Gasket) | | | |
| 8 | W11184028 | Gasket, Vent | | | | | | |

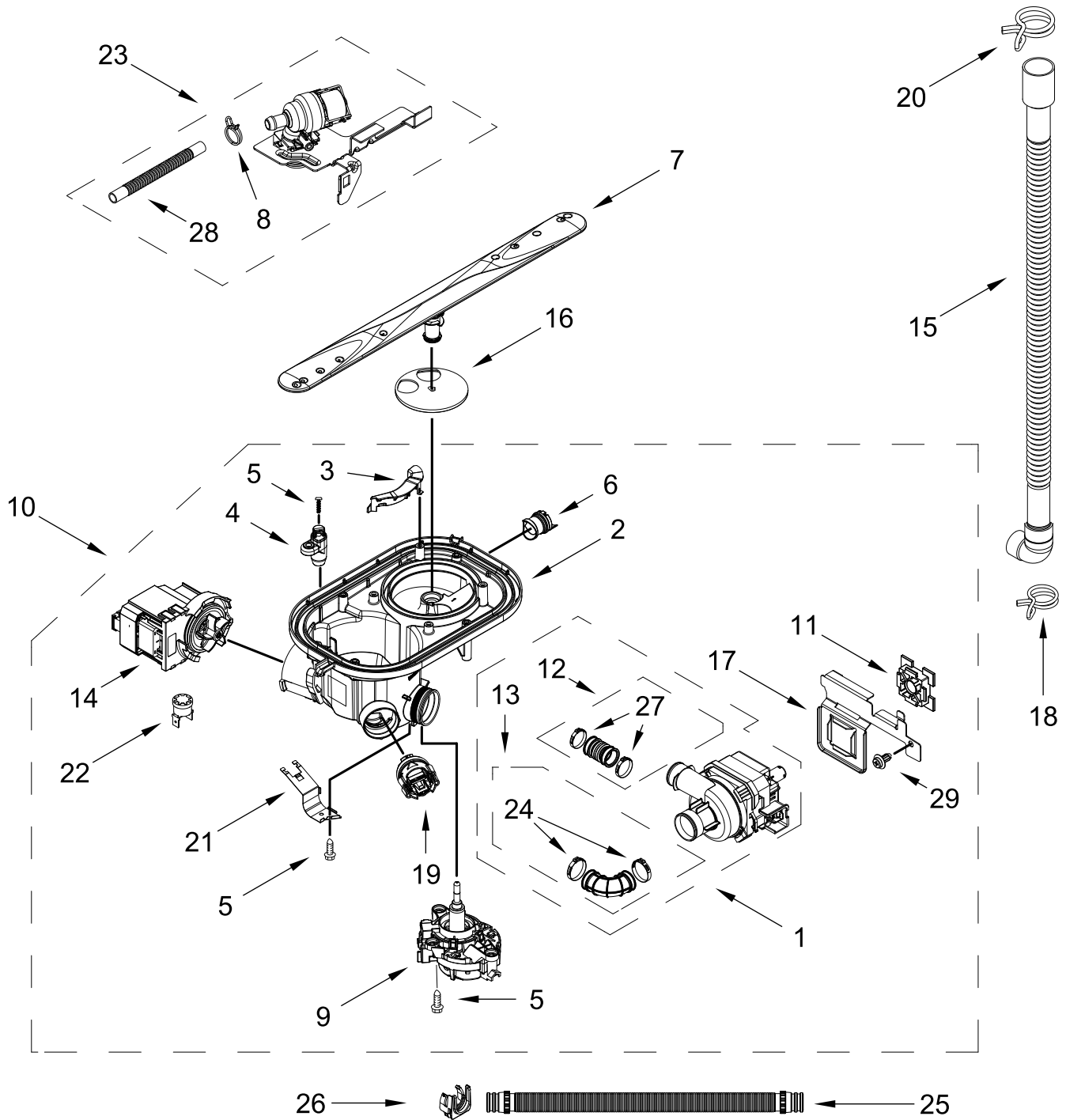
TUB AND FRAME PARTS



TUB AND FRAME PARTS

| <u>Illus. No.</u> | <u>Part No.</u> | <u>Description</u> | <u>Illus. No.</u> | <u>Part No.</u> | <u>Description</u> | <u>Illus. No.</u> | <u>Part No.</u> | <u>Description</u> |
|-------------------|-----------------|-----------------------------------|-------------------|-----------------|----------------------|-------------------|-----------------|---|
| 1 | W10920228 | Tub Assembly (Includes Gasket) | 13 | W11255994 | Float Switch | 23 | W11048217 | Tub Mount, Upper Rack |
| 2 | W11226744 | Base, Terminal Box | 14 | W11184083 | Plug, Tub | 24 | W11362500 | Miscellaneous Parts Bag (Contains 2 Screws, 2 Clamps, & 2 Brackets) |
| 3 | W11035860 | Gasket, Tub | 15 | W11429970 | Water Inlet Assembly | | | |
| 4 | W11429974 | Nut, Water Inlet | 16 | W11455395 | Leg, Leveling | | | |
| 5 | W11090487 | Strike, Latch | 17 | 3378128 | Washer, Pronged Cup | | | |
| 6 | W11296374 | Screw | 18 | 3400014 | Screw, Grounding | 25 | W11132441 | Terminal Block |
| 7 | W11165091 | Seal, Cabinet | 19 | W10277003 | Screw | 26 | W11536143 | Heater Element Assembly |
| 8 | W11025993 | Drip Tray | 20 | W11226746 | Cover, Terminal Box | 27 | 3400892 | Screw |
| 9 | W11025986 | Funnel, Overfill Protection | 21 | | Side Support, Tub | | | |
| 10 | W11025988 | Funnel Extension | | W10920122 | Left Hand | | | |
| 11 | 8269145 | Bracket, Undercounter | | W10920120 | Right Hand | | | |
| 12 | W11165093 | Cover, Tub Corner | 22 | W11163985 | Shield, Tub Sound | | | |

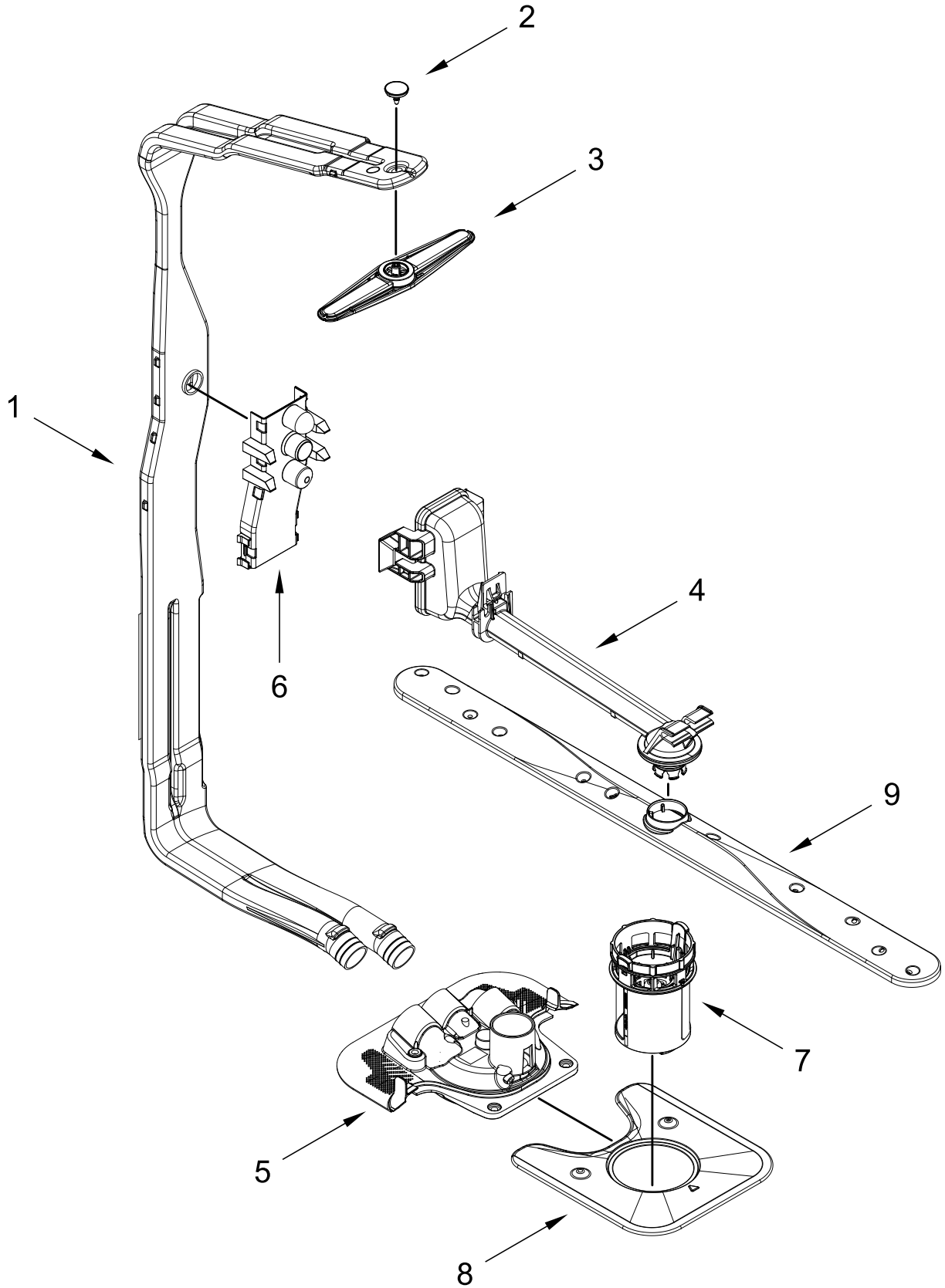
PUMP, WASHARM AND MOTOR PARTS



PUMP, WASHARM AND MOTOR PARTS

| <u>Illus. No.</u> | <u>Part No.</u> | <u>Description</u> | <u>Illus. No.</u> | <u>Part No.</u> | <u>Description</u> | <u>Illus. No.</u> | <u>Part No.</u> | <u>Description</u> |
|-------------------|-----------------|---|-------------------|-----------------|-------------------------|-------------------|-----------------|--|
| 1 | W11035712 | Pump Assembly | 10 | W11299377 | Motor & Sump Assembly | 20 | 370445 | Clamp, Hose |
| 2 | W11034554 | Sump with Seal (Includes 3, 4, 5, 6 & 9) | 11 | W11450247 | Isolator, Rear Motor | 21 | W11163419 | Bracket, Thermostat |
| 3 | W10891543 | Diffuser, Inlet | 12 | W11250985 | Hose, Pressure | 22 | W11193089 | Thermostat (Included with Main Wiring Harness) |
| 4 | W11050773 | Drain Vent Assembly | 13 | W10900389 | Hose, Suction | 23 | W11025970 | Fill Valve Assembly |
| 5 | 9741232 | Screw | 14 | W11035709 | Motor, Drain | 24 | W11122851 | Clamp, Hose |
| 6 | W10891547 | Check Valve, Drain | 15 | W11131184 | Hose, Drain | 25 | W11036159 | Hose |
| 7 | W11164607 | Wash Arm Assembly | 16 | W11175571 | Disc, Diverter | 26 | W11036143 | Clip, Hose |
| 8 | 371505 | Clamp, Hose | 17 | W11497568 | Bracket, Rear Motor | 27 | W10466656 | Clamp, Hose |
| 9 | | Diverter Valve Motor (Not Serviced) | 18 | W11236576 | Clamp, Hose | 28 | W11036287 | Hose, Inlet |
| | | | 19 | W11126174 | Indicator, Optical Wash | 29 | W11418271 | Fastener |

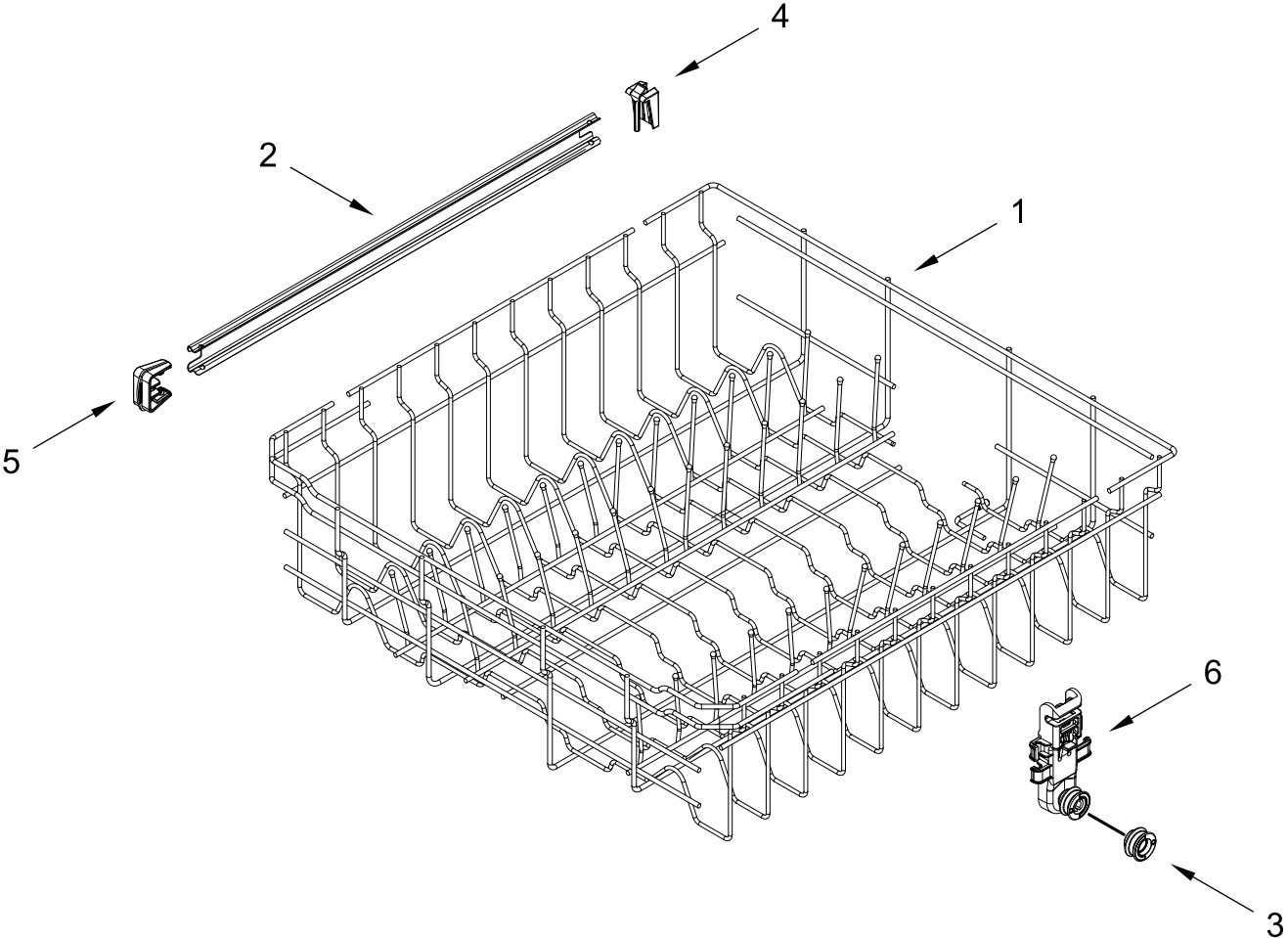
UPPER WASH AND RINSE PARTS



UPPER WASH AND RINSE PARTS

| <u>Illus.</u> <u>No.</u> | <u>Part No.</u> | <u>Description</u> | <u>Illus.</u> <u>No.</u> | <u>Part No.</u> | <u>Description</u> | <u>Illus.</u> <u>No.</u> | <u>Part No.</u> | <u>Description</u> |
|-----------------------------|-----------------|-----------------------|-----------------------------|-----------------|----------------------------------|-----------------------------|-----------------|--------------------|
| 1 | W10903503 | Feed Tube Assembly | 5 | W11128231 | Cover, Diverter | 8 | W10891539 | Screen |
| 2 | W11039888 | Retainer | 6 | W10892836 | Retainer, Docking (2nd Level) | 9 | W11043437 | Sprayarm, Upper |
| 3 | W11039869 | Sprayarm, Third Level | 7 | W10891533 | Filter | | | |
| 4 | W11043452 | Manifold | | | | | | |

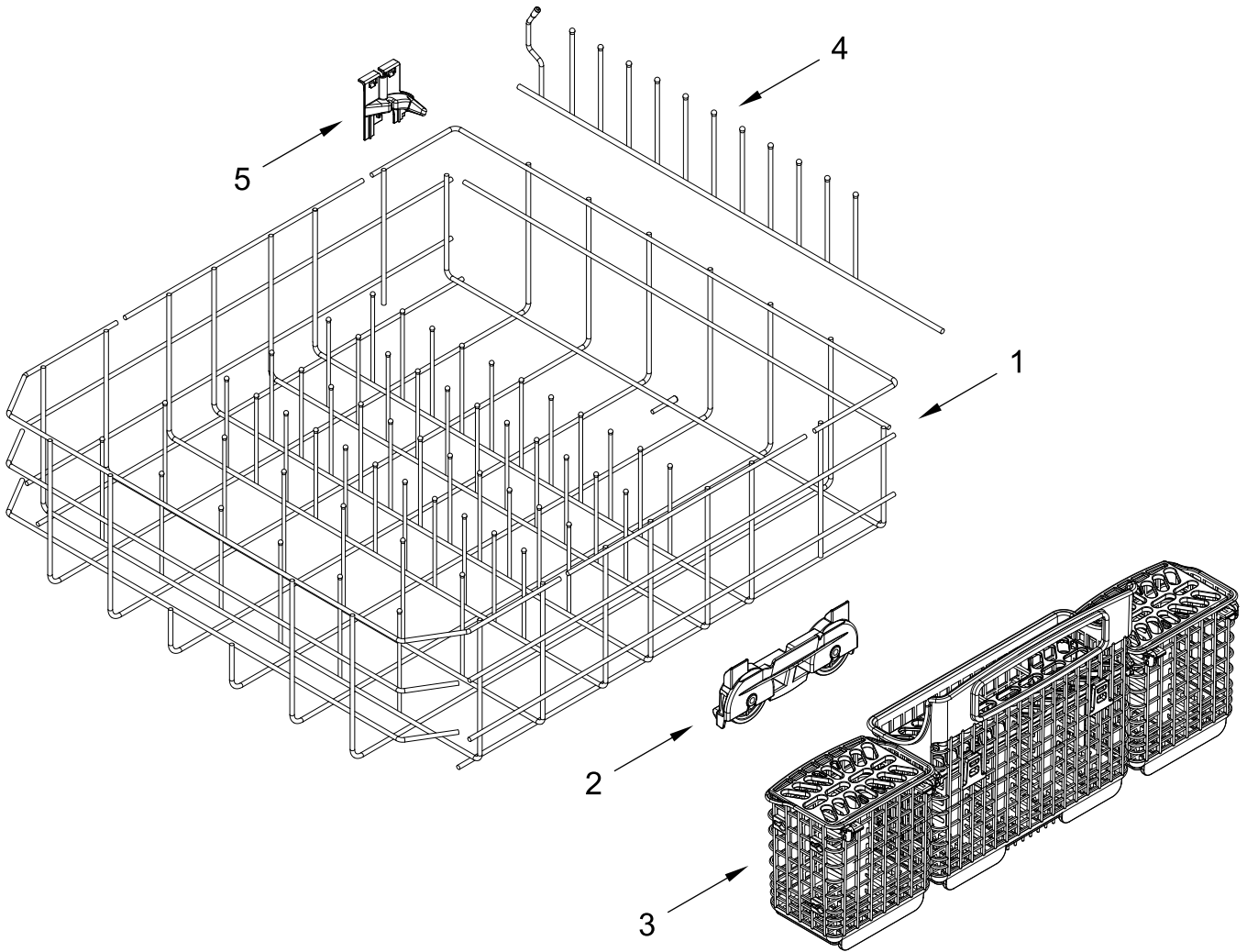
UPPER RACK AND TRACK PARTS



UPPER RACK AND TRACK PARTS

| <u>Illus.</u> <u>No.</u> | <u>Part No.</u> | <u>Description</u> | <u>Illus.</u> <u>No.</u> | <u>Part No.</u> | <u>Description</u> | <u>Illus.</u> <u>No.</u> | <u>Part No.</u> | <u>Description</u> |
|-----------------------------|-----------------|--------------------|-----------------------------|-----------------|--------------------|-----------------------------|-----------------|--------------------|
| 1 | W10847875 | Dishrack, Upper | 3 | W11048219 | Wheel | 5 | W11084874 | Track Stop, Front |
| 2 | W11441109 | Track, Dishrack | 4 | W11084872 | Track Stop, Rear | 6 | W11133748 | Mount Assembly |

LOWER RACK PARTS



LOWER RACK PARTS

| <u>Illus.</u> <u>No.</u> | <u>Part No.</u> | <u>Description</u> | <u>Illus.</u> <u>No.</u> | <u>Part No.</u> | <u>Description</u> | <u>Illus.</u> <u>No.</u> | <u>Part No.</u> | <u>Description</u> |
|-----------------------------|-----------------|-------------------------------|-----------------------------|-----------------|--------------------|-----------------------------|-----------------|---------------------|
| 1 | W10525646 | Dishrack, Lower | 3 | W11221877 | Silverware Basket | 4 | W10056272 | Tine Row, Fold Down |
| 2 | W11133747 | Wheel & Transport Assembly | | | | 5 | W11268658 | Retainer, Flex Row |

OPTIONAL PARTS (NOT INCLUDED)

| <u>Illus.</u> <u>No.</u> | <u>Part No.</u> | <u>Description</u> |
|-----------------------------|-----------------|---|
| | 4396277 | Barrier Kit |
| | W11381654 | External Drain Hose, 12 FT |
| | W11365011 | Power Cord Kit (Straight) |
| | W11365014 | Power Cord Kit (Right Angle) |
| | 4396672 | Strain Relief, Power Cord (Metallic) |
| | W10685193 | Compression Hose Fitting, Water Line |
| | W10278635RP | Fill Hose Kit |