

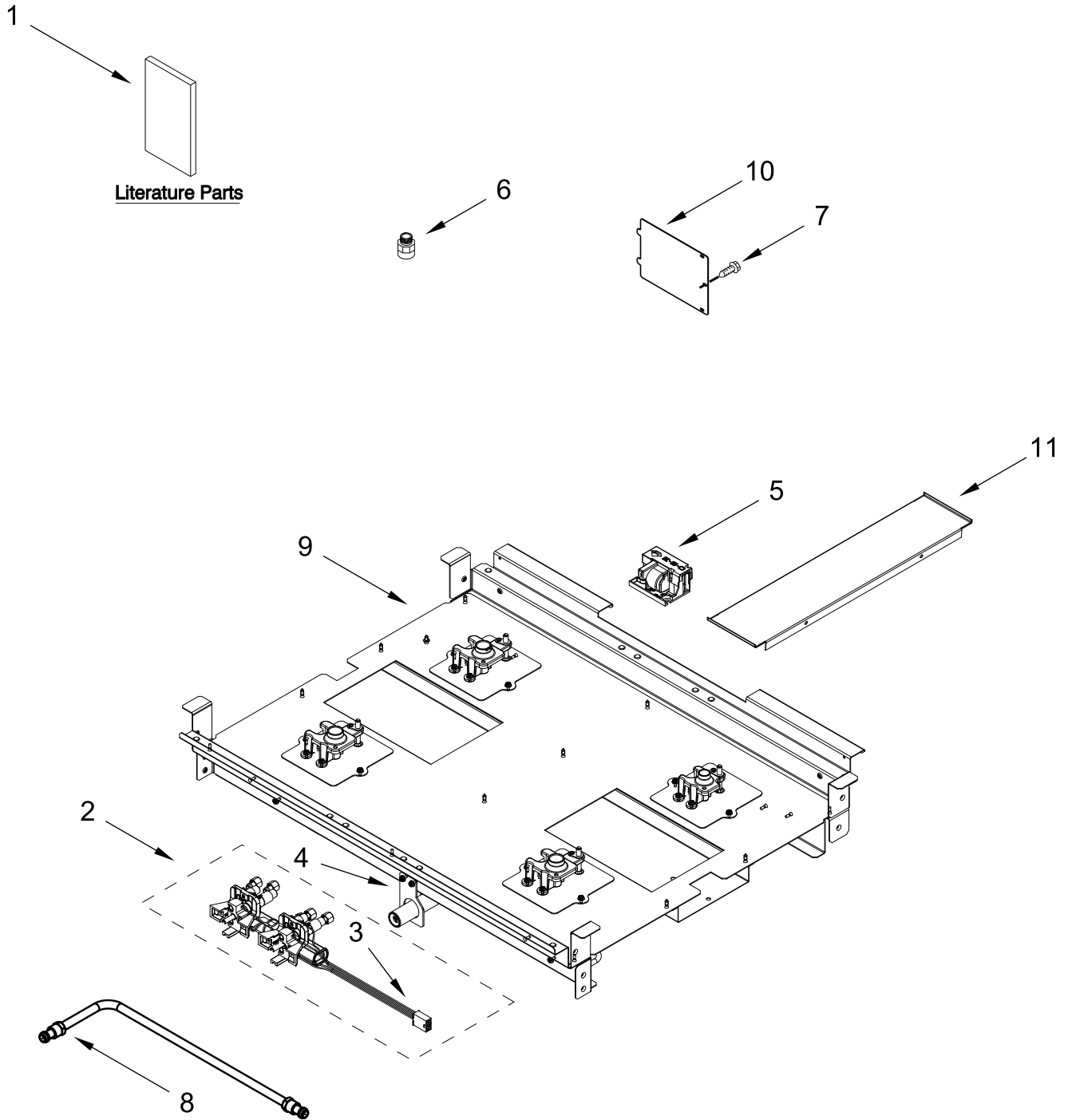
KitchenAid®

30" DUAL-FUEL FREESTANDING RANGE

MODELS:

KFDC500JBK01 (Imperial Black)

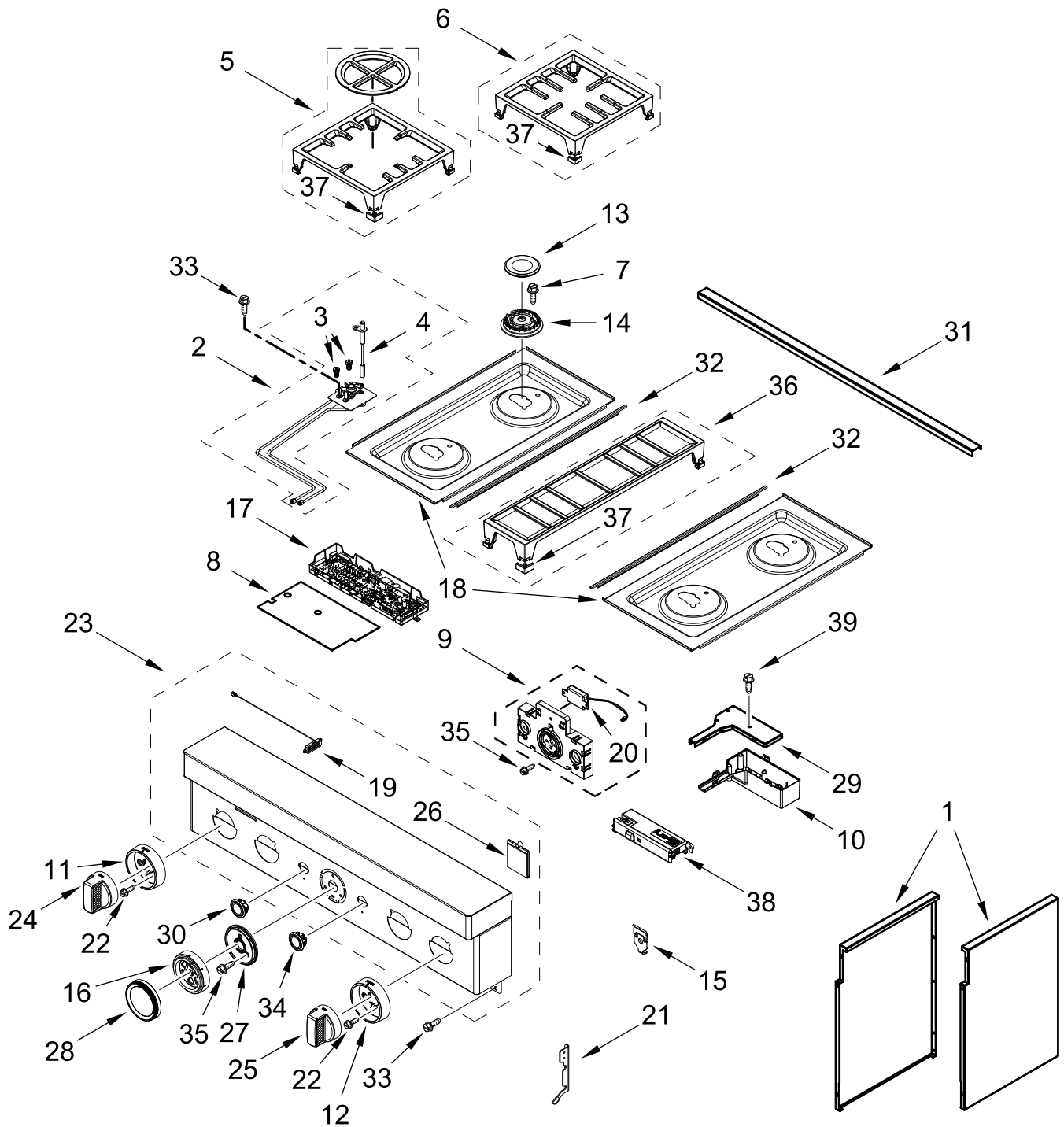
BURNER BOX PARTS



BURNER BOX PARTS

| <u>Illus. No.</u> | <u>Part No.</u> | <u>Description</u> | <u>Illus. No.</u> | <u>Part No.</u> | <u>Description</u> | <u>Illus. No.</u> | <u>Part No.</u> | <u>Description</u> |
|-------------------|-----------------|------------------------------|-------------------|-----------------|-------------------------------|-------------------|-----------------|---------------------------------|
| 1 | | Literature Parts | 2 | W10892994 | Assembly, Valve Manifold | 10 | W10115843 | Cover, Ignition |
| | W11114331 | Guide, Use And Care | | | (Left Front, Left Rear) | 11 | W11121361 | Filler, Cooktop |
| | W11114334 | Instructions, Installation | | W10892997 | Assembly, Valve Manifold | | | FOLLOWING PARTS NOT ILLUSTRATED |
| | W11184759 | Guide, Internet Connectivity | | | (Right Front, Right Rear) | | W11200301 | Harness, Main (30") |
| | W11202391 | Diagram, Wiring (Cooktop) | | | | | W11200328 | Harness, Cooktop |
| | W11202385 | Diagram, Wiring (Oven) | 3 | W10903728 | Switch, Harness | | W10780278 | Harness, Door Lock |
| | W11202289 | Sheet, Tech | 4 | W11121194 | Bracket, Manifold | | W11200325 | Harness, Communication |
| | W11114332 | Guide, Quick Start | 5 | W11121317 | Module, Spark | | W11242785 | Harness, WIFI |
| | | | 6 | 4453116 | Adapter, Male | | W11212216 | Cord, Power |
| | | | 7 | 7101P426-60 | Screw | | 9759877 | Retainer, Strain Relief |
| | | | 8 | W10892281 | Tube, Manifold Supply (Left) | | W10253333 | Bracket, Anti-Tip |
| | | | | W10892292 | Tube, Manifold Supply (Right) | | 7101P485-60 | Screw, Anti-Tip Kit |
| | | | 9 | | Box, Burner (Not Serviced) | | W11238042 | Kit, LP Conversion |

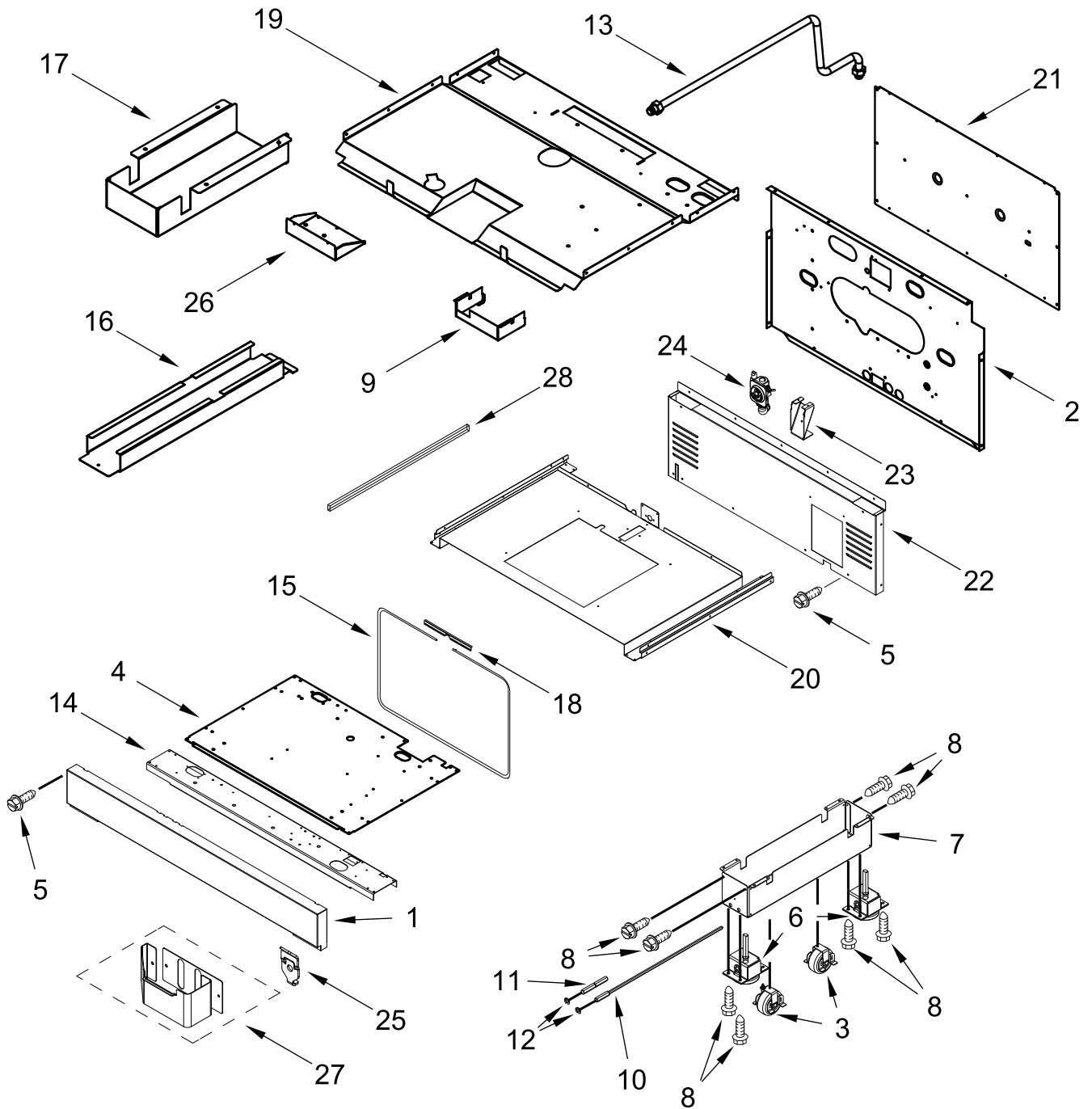
COOKTOP, BURNER AND GRATE PARTS



COOKTOP, BURNER AND GRATE PARTS

| <u>Illus. No.</u> | <u>Part No.</u> | <u>Description</u> | <u>Illus. No.</u> | <u>Part No.</u> | <u>Description</u> | <u>Illus. No.</u> | <u>Part No.</u> | <u>Description</u> |
|-------------------|-----------------|--------------------------------------------------|-------------------|-----------------|--------------------------------------------------|-------------------|-----------------|----------------------------------|
| 1 | W11106881 | Panel, Cabinet Side (Left) | 5 | W11291183 | Burner, Grate (With Wok Ring) | 19 | W11130078 | Antenna, WIFI |
| | W11106880 | Panel, Cabinet Side (Right) | 6 | W11291179 | Burner, Grate | 20 | W10568405 | Assembly, Speaker |
| 2 | W10892774 | Assembly, Orifice Holder (Left Front) | 7 | W11323261 | Screw (8-18 X 1") | 21 | W10130760 | Bracket, Moving Console (Left) |
| | W10892484 | Assembly, Orifice Holder (Left Rear) | | W11323309 | Screw (8-18 X 1/2") | | W10130759 | Bracket, Moving Console (Right) |
| | W10892479 | Assembly, Orifice Holder (Right Front) | 8 | W11281269 | Barrier, Appliance Manager | 22 | W11328357 | Screw |
| | W10892735 | Assembly, Orifice Holder (Right Rear) | 9 | W11436334 | Interface, User | 23 | W10877949 | Panel, Console |
| 3 | W10892422 | Orifice, Main (17.4K) (Left Front, Right Front) | 10 | W11205795 | Cover, WIFI Outer | 24 | | Knob, Single |
| | W10892419 | Orifice, Main (15K) (Left Rear) | 11 | W10883433 | Bezel (Rear Burners) | | W10912166 | Stainless Knob, Dual |
| | W10892435 | Orifice, Simmer (2.6K) (Left Front, Right Front) | 12 | W10881642 | Bezel (Front Burners) | 25 | W10883172 | Stainless |
| | W10892438 | Orifice, Simmer (5K) (Right Rear) | 13 | | Cap, Burner | 26 | W10896366 | Assembly, Light Pipe |
| 4 | W11238757 | Igniter (Left Front, Right Front) | | W11121389 | Black (Set Of 4) | 27 | | Bezel, Oven |
| | W10892340 | Igniter (Left Rear) | 14 | W10891746 | Spreader, Flame (High) (Left Front, Right Front) | | W10913810 | Stainless Knob, Oven Temperature |
| | W11114379 | Igniter (Right Rear) | | W10891974 | Spreader, Flame (Low) (Left Rear) | 28 | | Knob, Oven Temperature |
| | | | | W10891978 | Spreader, Flame (AUX) (Right Rear) | | W11429269 | Stainless |
| | | | 15 | W11036559 | Spring Clip, Range | 29 | W11205794 | Cover, WIFI Inner |
| | | | 16 | | Knob, Oven Mode | 30 | W11241511 | Button Assembly, Oven Light |
| | | | | W11249667 | Stainless | 31 | W11156414 | Trim, Island |
| | | | 17 | W11100279 | Manager, Appliance (Powermax) | 32 | | Trim, T-Strip |
| | | | 18 | | Panel, Cooktop | | W10271524 | Black |
| | | | | W11038235 | Black (Left) | 33 | 7101P426-60 | Screw |
| | | | | W11038245 | Black (Right) | 34 | W11241510 | Button Assembly, Oven Start |
| | | | | | | 35 | 3400814 | Screw |
| | | | | | | 36 | W11291178 | Kit, Grate Filler |
| | | | | | | 37 | W11042504 | Bumper, Grate |
| | | | | | | 38 | W11110768 | Assembly, WIFI Module |
| | | | | | | 39 | 7101P624-60 | Screw |

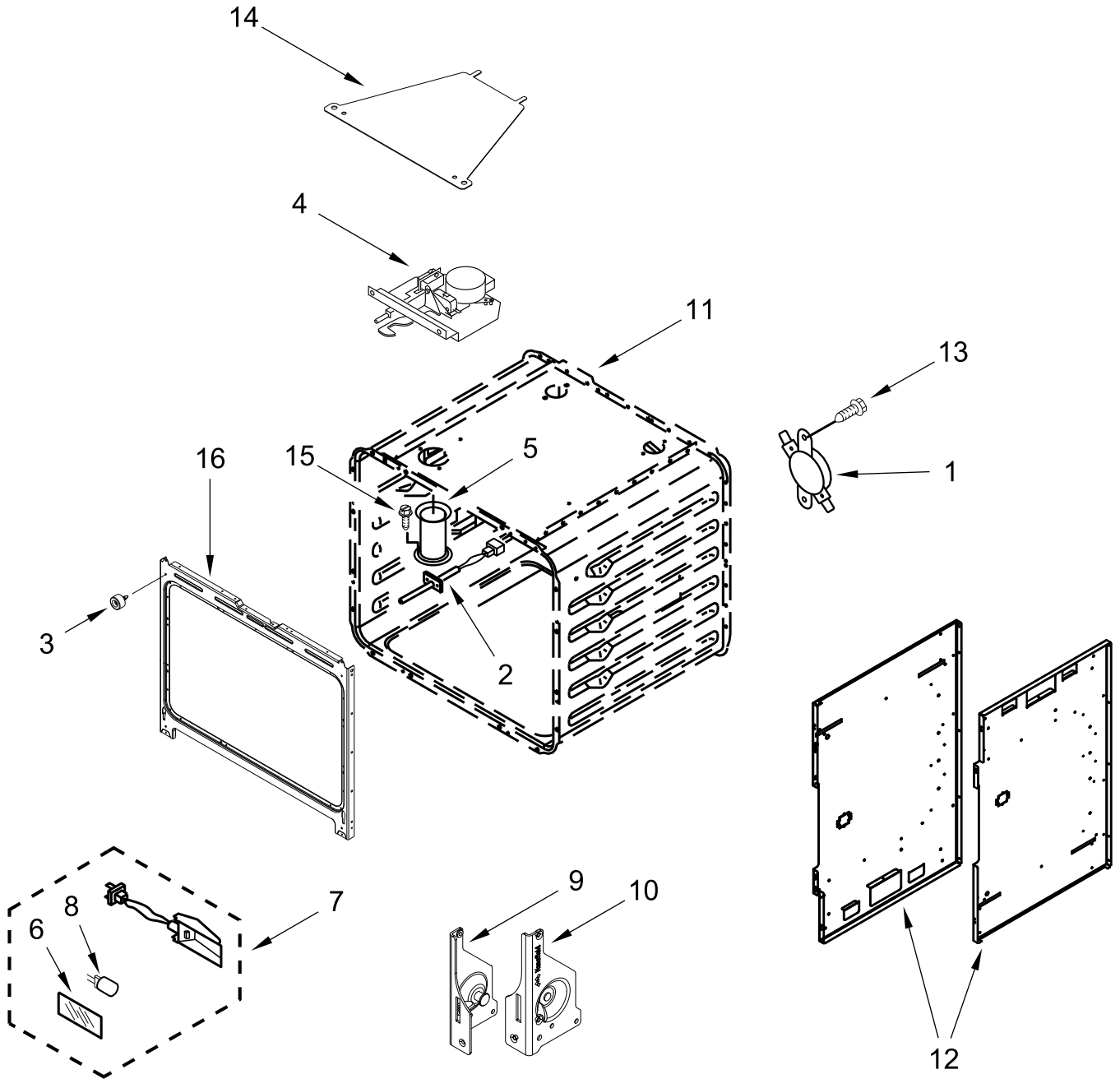
CHASSIS PARTS



CHASSIS PARTS

| <u>Illus.</u> <u>No.</u> | <u>Part No.</u> | <u>Description</u> | <u>Illus.</u> <u>No.</u> | <u>Part No.</u> | <u>Description</u> | <u>Illus.</u> <u>No.</u> | <u>Part No.</u> | <u>Description</u> |
|-----------------------------|-----------------|----------------------------|-----------------------------|-----------------|----------------------------|-----------------------------|-----------------|-----------------------------|
| 1 | W11394775 | Kickplate | 11 | W10115793 | Shaft, Short | 21 | W11103334 | Panel, Back Top |
| 2 | W11324989 | Back, Chassis | 12 | 489504 | E-Ring | 22 | W11034134 | Panel, Back Bottom |
| 3 | W10138054 | Assembly, Roller | 13 | W11106963 | Tube, Pressure Regulator | 23 | W11096823 | Bracket, Pressure Regulator |
| 4 | W11109583 | Duct, Bottom (30") | 14 | W11087491 | Support, Channel | 24 | W10449140 | Regulator, Pressure |
| 5 | 7101P426-60 | Screw | 15 | W11115328 | Gasket, Oven (30") | 25 | W11036559 | Spring Clip, Range |
| 6 | 9760860 | Leveler | 16 | W11050145 | Duct-Chassis, Rear | 26 | W11106341 | Drawer, Appliance Manager |
| 7 | W10908710 | Base, Leveling Leg | 17 | W11368831 | Channel, Wire | 27 | W11199181 | Cover, Foot (Left) |
| 8 | 4449743 | Screw | 18 | W11362015 | Retainer, Gasket (9" Long) | | W11199178 | Cover, Foot (Right) |
| 9 | W11369237 | Cabinet, Appliance Manager | 19 | W11324986 | Top, Chassis | 28 | W10919715 | Gasket |
| 10 | W10115869 | Shaft, Long | 20 | W11040802 | Chassis, Bottom | | | |

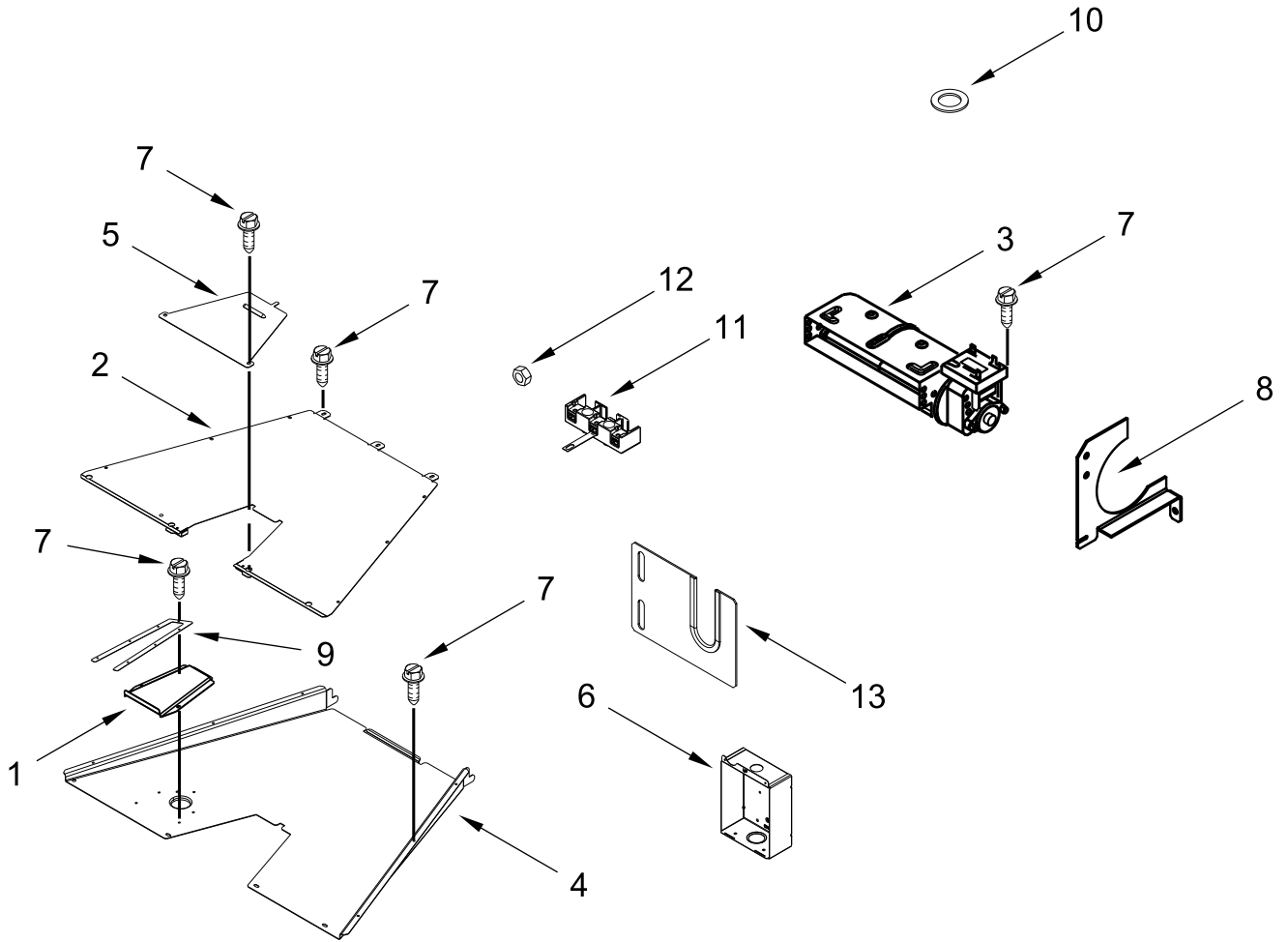
OVEN PARTS



OVEN PARTS

| <u>Illus.</u> <u>No.</u> | <u>Part No.</u> | <u>Description</u> | <u>Illus.</u> <u>No.</u> | <u>Part No.</u> | <u>Description</u> | <u>Illus.</u> <u>No.</u> | <u>Part No.</u> | <u>Description</u> |
|-----------------------------|-----------------|------------------------|-----------------------------|-----------------|----------------------------|-----------------------------|-----------------|---------------------------------|
| 1 | 4449751 | Thermostat (TOD) | 10 | W11096293 | Receiver, Hinge (Right) | 15 | 3196176 | Screw |
| 2 | W10622170 | Probe, Sensor | | | | 16 | W11192755 | Frame, Front |
| 3 | W10351278 | Bumper & Screw | 11 | | Liner, Oven (Not Serviced) | | | FOLLOWING PARTS NOT ILLUSTRATED |
| 4 | W10830016 | Latch, Motorized | 12 | W11102297 | Chassis, Side (Left) | W10282810 | | Insulation, Wrap, 30" |
| 5 | W11290663 | Tube, Vent | | W11102296 | Chassis, Side (Right) | W10282818 | | Insulation, Back, 30" |
| 6 | W10169756 | Lens, Light | 13 | 7101P426-60 | Screw | 3400968 | | Nut |
| 7 | W11223932 | Assembly, Oven Light | 14 | W10160858 | Cover, Latch | | | |
| 8 | W10169757 | Bulb, Light | | | | | | |
| 9 | W11096294 | Receiver, Hinge (Left) | | | | | | |

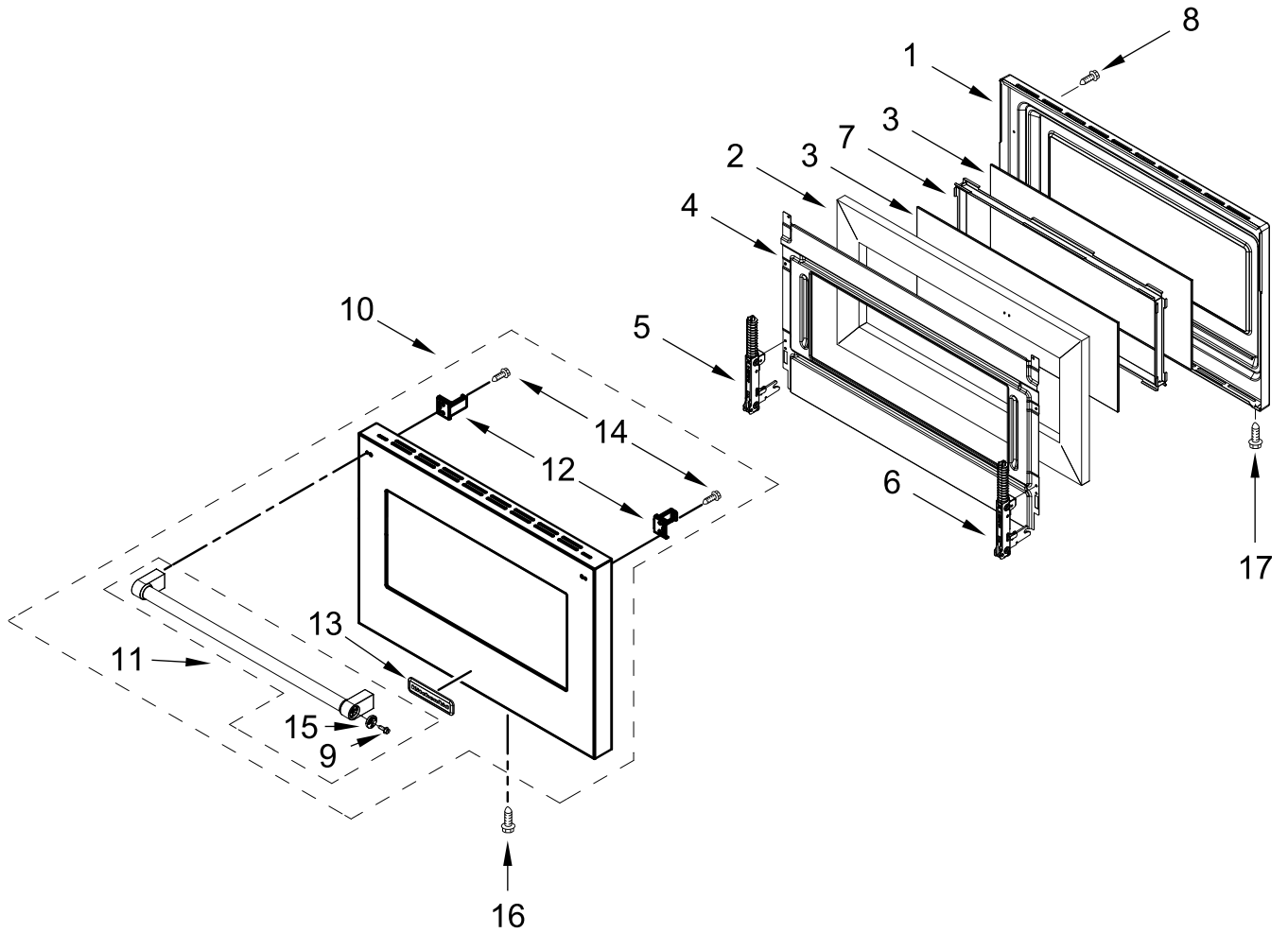
VENTING PARTS



VENTING PARTS

| <u>Illus.</u> <u>No.</u> | <u>Part No.</u> | <u>Description</u> | <u>Illus.</u> <u>No.</u> | <u>Part No.</u> | <u>Description</u> | <u>Illus.</u> <u>No.</u> | <u>Part No.</u> | <u>Description</u> |
|-----------------------------|-----------------|----------------------------|-----------------------------|-----------------|------------------------|-----------------------------|-----------------|--------------------|
| 1 | W10818234 | Slope, Exhaust Vent (30") | 5 | W11109518 | Plate, Cooling Latch | 10 | W10270396 | Seal, Chimney |
| 2 | W11105223 | Vent, Cooling Top (30") | 6 | W11353392 | Box, Terminal | 11 | 9761958 | Block, Terminal |
| 3 | W11200129 | Blower | 7 | 7101P426-60 | Screw | 12 | 112432 | Nut, Hex |
| 4 | W11105222 | Vent, Cooling Bottom (30") | 8 | W11047754 | Bracket, Blower Mount | 13 | W11106956 | Cover, Channel |
| | | | 9 | W10270397 | Seal, Vent Slope (30") | | | |

OVEN DOOR PARTS



OVEN DOOR PARTS

| <u>Illus.</u> <u>No.</u> | <u>Part No.</u> | <u>Description</u> | <u>Illus.</u> <u>No.</u> | <u>Part No.</u> | <u>Description</u> | <u>Illus.</u> <u>No.</u> | <u>Part No.</u> | <u>Description</u> |
|-----------------------------|-----------------|------------------------|-----------------------------|-----------------|-------------------------------------------|-----------------------------|-----------------|--------------------|
| 1 | W11036771 | Liner, Door | 7 | W10272594 | Frame, Glass | 12 | W11197830 | Bracket, Handle |
| 2 | W11413190 | Insulation, Door (30") | 8 | W10898280 | Screw | 13 | W10518672 | Badge |
| 3 | W11184409 | Glass, Inner | 9 | W10656499 | Screw | 14 | W10276043 | Screw |
| 4 | W11194821 | Retainer, Glass | 10 | W11389282 | Assembly, Outer Door (Includes Handle) | 15 | W11361074 | Medallion, Handle |
| 5 | W11390105 | Hinge, Door (Left) | 11 | W11362706 | Handle Assembly | 16 | W10162096 | Screw |
| 6 | W11390124 | Hinge, Dual (Right) | | | | 17 | W10607120 | Screw |

INTERNAL OVEN PARTS

| <u>Illus.</u> <u>No.</u> | <u>Part No.</u> | <u>Description</u> | <u>Illus.</u> <u>No.</u> | <u>Part No.</u> | <u>Description</u> | <u>Illus.</u> <u>No.</u> | <u>Part No.</u> | <u>Description</u> |
|-----------------------------|-----------------|------------------------------|-----------------------------|-----------------|---------------------------|-----------------------------|-----------------|----------------------|
| 1 | W10115994 | Element, Broil | 9 | W10261523 | Plate, Fan | 17 | W10739592 | Screw |
| 2 | W10282821 | Insulation, Convection Cover | 10 | W10631504 | Nut, Acorn (LH) | 18 | W10115995 | Element, Hidden Bake |
| 3 | W10570887 | Rack, Oven | 11 | 9762242 | Element, Convection Steam | 19 | W10720084 | Screw |
| 4 | W111108461 | Rack, Oven (Sliding) | 12 | W11109421 | Tray, Hidden Bake | | | |
| 5 | W10160856 | Shield, Element Broil | 13 | 9755542 | Probe, Temperature | | | |
| 6 | W11212180 | Baffle, Convection | 14 | 4449154 | Screw | | | |
| 7 | W10722667 | Fan, Convection | 15 | 9755543 | Jack, Meat Probe | | | |
| 8 | W10631503 | Blade, Fan | 16 | W11033111 | Nut, Locking | | | |

OPTIONAL PARTS (NOT INCLUDED)

| <u>Illus.</u> <u>No.</u> | <u>Part No.</u> | <u>Description</u> |
|-----------------------------|-----------------|---------------------------------------------|
| | | ACCESSORY PARTS |
| | 4396920 | Stainless Steel Cleaner & Polish |
| | W10160195 | Cover, Grill/Griddle |
| | W10216179 | Ring, Wok Backsplash |
| | W10285449 | 48" With Shelves |
| | 31464 | Cleaner, Cooktop |
| | W10123240 | Rack, Broiler Pan & Roasting |
| | 8284755 | Backsplash (Adjustable) |
| | JXA9001CDP | Stainless Steel Wallsplash |
| | W11238043 | Kit, High Altitude Medallion, Handle |
| | W11368841SI | Silver |
| | W11368841BO | Black ANO |
| | W11368841RE | Red ANO |
| | W11368841MP | Marscapone (Cream) |
| | W11368841NE | New Gold |
| | W11368841CF | Copper |
| | W11368841BN | Bronze |
| | W11368841DD | Dark Blue |