

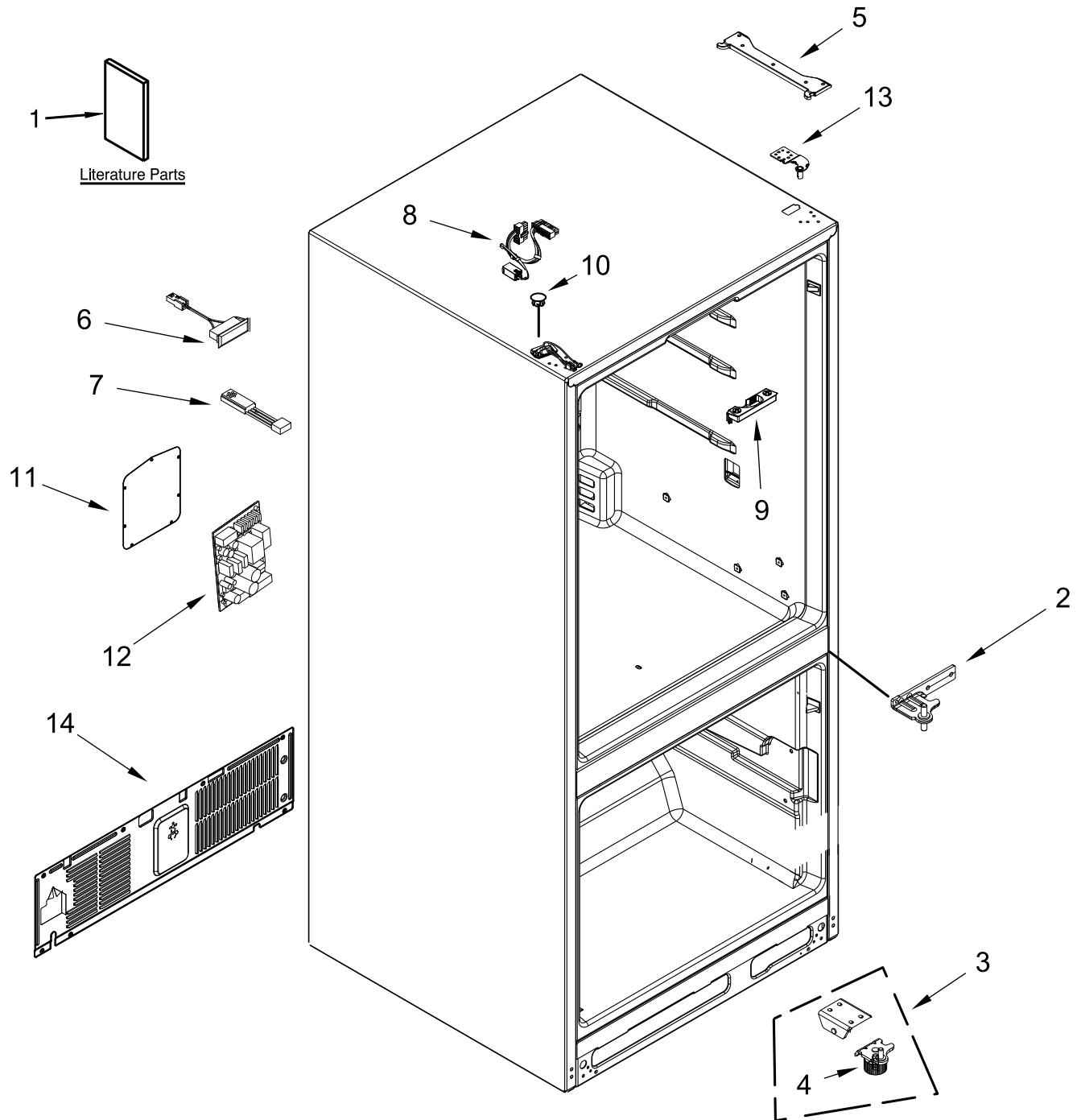


REFRIGERATOR

MODELS:

WRQA59CNKZ (Stainless)

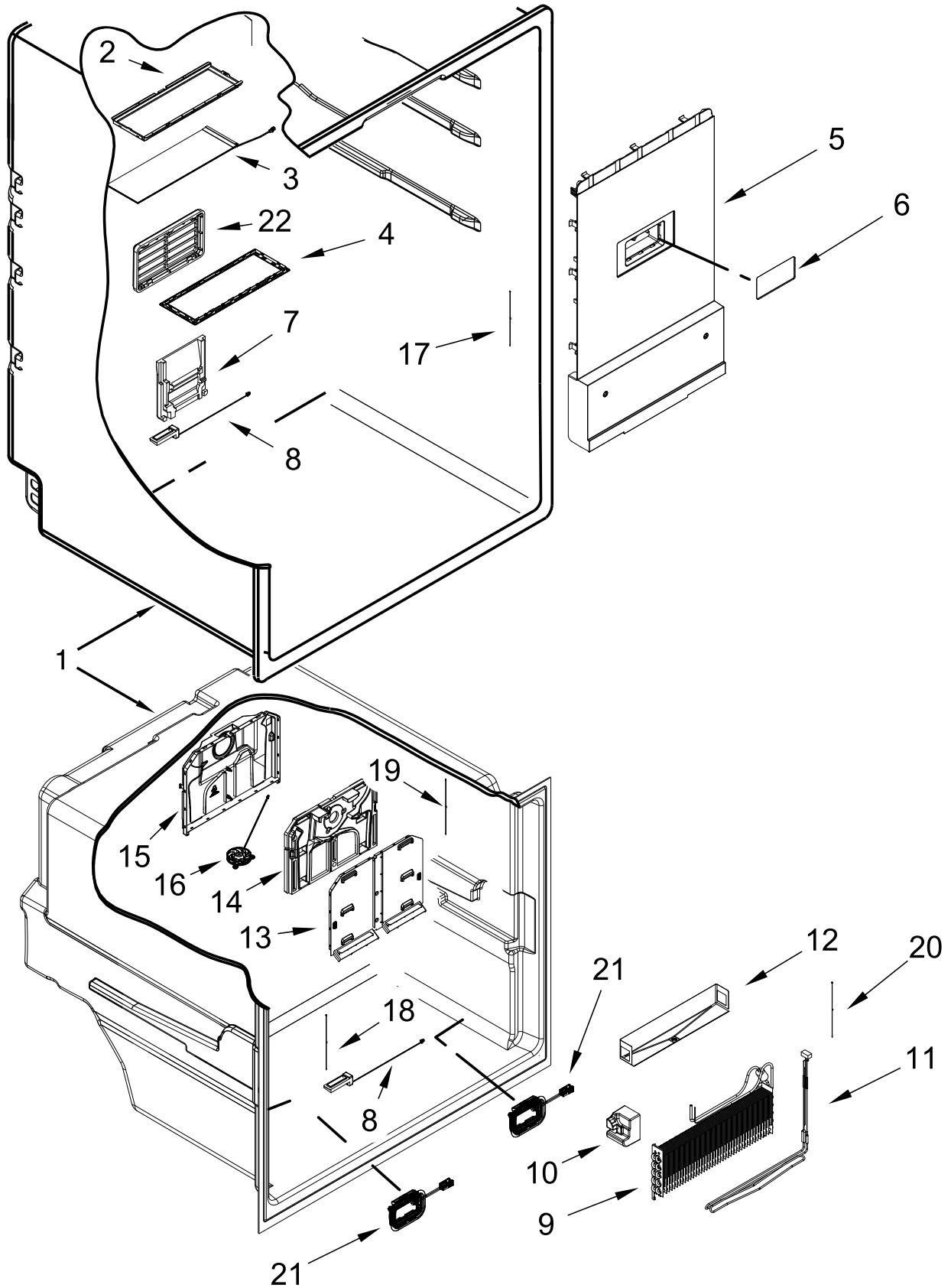
CABINET PARTS



CABINET PARTS

<u>Illus. No.</u>	<u>Part No.</u>	<u>Description</u>	<u>Illus. No.</u>	<u>Part No.</u>	<u>Description</u>	<u>Illus. No.</u>	<u>Part No.</u>	<u>Description</u>
1		Literature Parts	3		Bottom Hinge Assembly	9	W11306512	Mullion, Pivot Block
	W11446054	Tech Sheet (Located in Machine Compartment)		W11024900	Left Hand	10	W11083859	Cover, Screw
	W11209377	Use & Care Guide		W11022521	Right Hand	11	W11029002	Lid, Main PCB
	W11438985	Energy Guide	4		Roller (Not Serviced)	12	W11442897	Assembly, Main Control Board
2		Middle Hinge Assembly	5	W11029028	Cover, Top Hinge	13		Top Hinge
	W11022529	Left Hand	6	W11115055	Switch, Reed		W11024899	Left Hand
	W11022519	Right Hand	7	W11040893	Sensor, Humidity / Temperature		W11028889	Right Hand
			8	W10916542	Harness, Top Hinge	14	W11039081	Cover, Machine

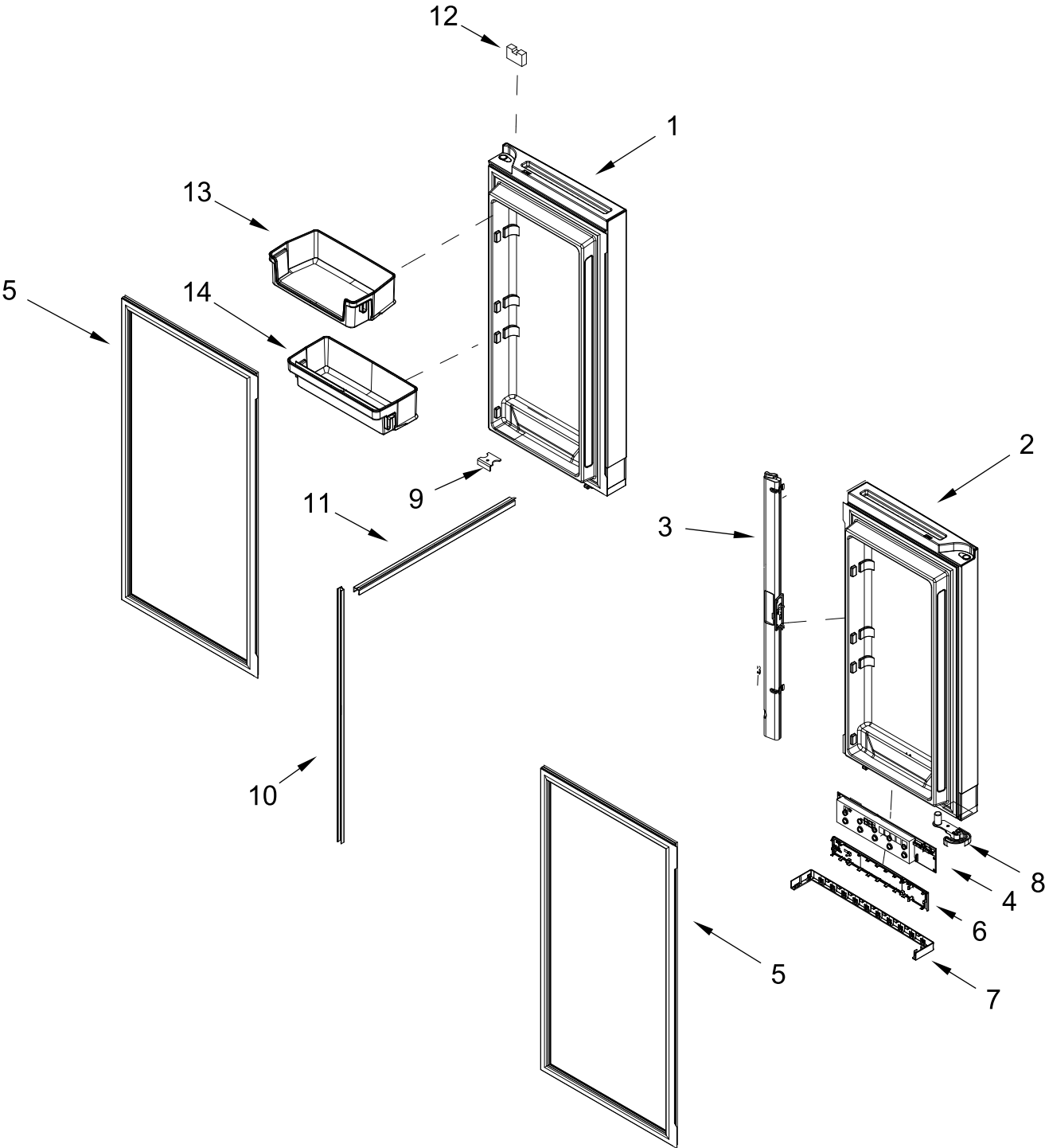
LINER PARTS



LINER PARTS

<u>Illus. No.</u>	<u>Part No.</u>	<u>Description</u>	<u>Illus. No.</u>	<u>Part No.</u>	<u>Description</u>	<u>Illus. No.</u>	<u>Part No.</u>	<u>Description</u>
1		Cabinet Assembly (Not Serviceable)	9	W11097849	Evaporator, Freezer (Also Order the Following Lokring Parts)	14	W11032663	EPS, Evaporator Cover
2	W11048980	Assembly, Lamp				15	W11028946	Cover, Rear Evaporator
3	W11032353	Cover, Light				16	W11101594	Assembly, Fan Motor
4	W11032355	Trim, Light		W11481106	3/1.8-NR-MS-00 (Suction Line to Evaporator)	17	W11135456	Thermistor, Refrigerator
5	W11369510	Cover, Air Tower				18	W11135458	Thermistor, Freezer
6	W11176100	Cover, Fresh Lighting		W10896689	5/4-NR-MS-00 (Capillary Tube to Evaporator)	19	W11135455	Thermistor, Defrost
7	W11369813	Cover, Damper				20	W11135457	Thermistor, CC
8	W11050016	Air Damper	10		EPS Block	21	W11438525	LED, Single Point
				W11396540	Left Hand	22	W11039286	Grille, Air Return Duct
				W11028106	Right Hand			
			11	W11318188	Heater, Defrost			
			12	W11028971	Assembly, Heat Shield			
			13	W11028948	Evaporator Cover, Front			

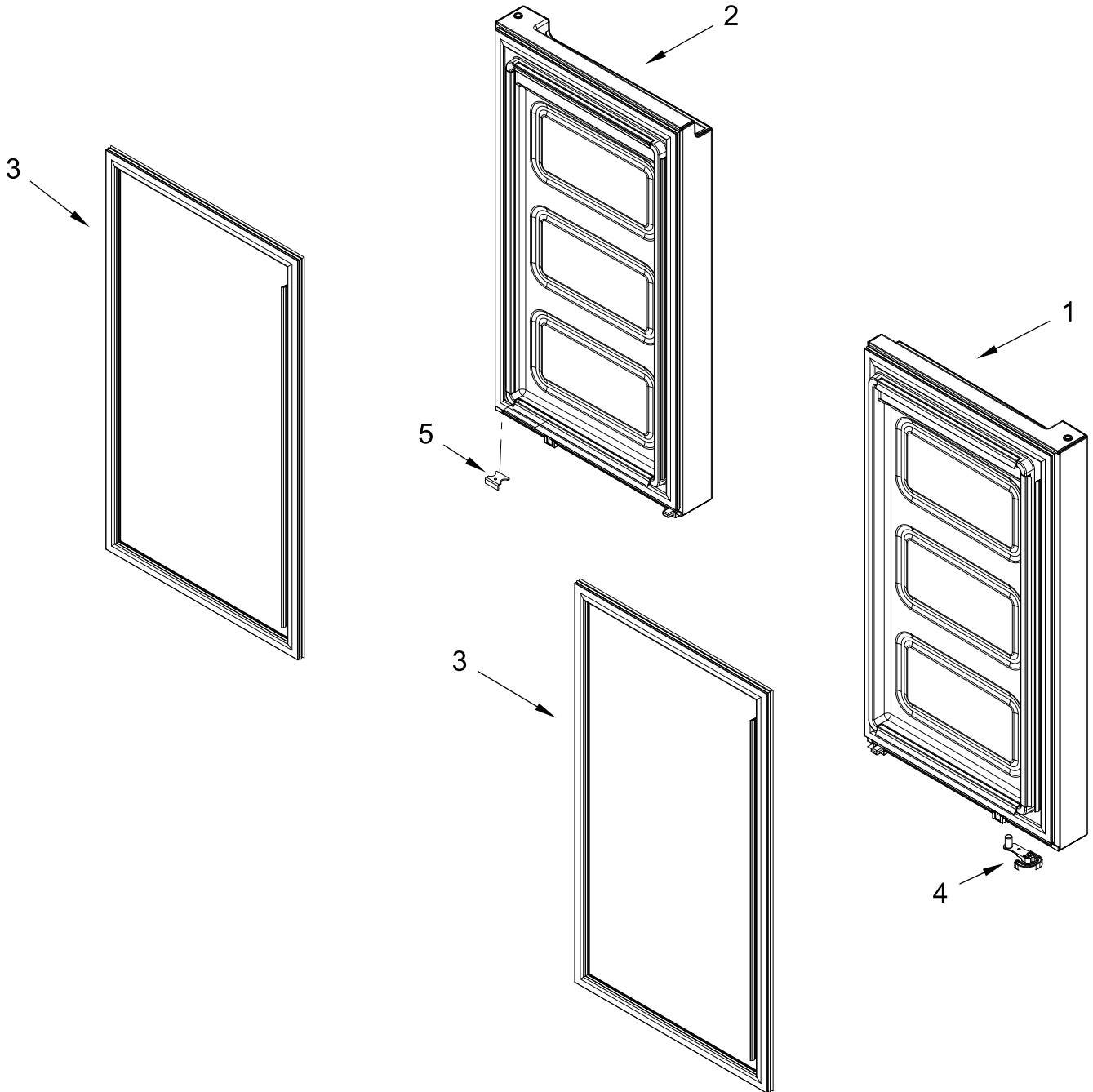
REFRIGERATOR DOOR PARTS



REFRIGERATOR DOOR PARTS

<u>Illus.</u> <u>No.</u>	<u>Part No.</u>	<u>Description</u>	<u>Illus.</u> <u>No.</u>	<u>Part No.</u>	<u>Description</u>	<u>Illus.</u> <u>No.</u>	<u>Part No.</u>	<u>Description</u>
1		Refrigerator Door	6	W11394709	Assembly, Fascia	11	W11306510	Seal, Horizontal
	W11253286	Right Hand	7	W11095783	Endcap Trim, Door	12	W11024885	Magnet, Switch
2		Refrigerator Door	8		Door Self Lock	13	W11370316	Bin, Gallon
	W11253284	Left Hand		W11110855	Left Hand	14	W11165334	Bin, Stadium
				W11110854	Right Hand			
3	W11205537	Mullion, Door	9	W11110857	Stopper, Door			
4	W11430637	Control, Hera	10	W11306508	Seal, Vertical			
5	W11376604	Gasket, Door						

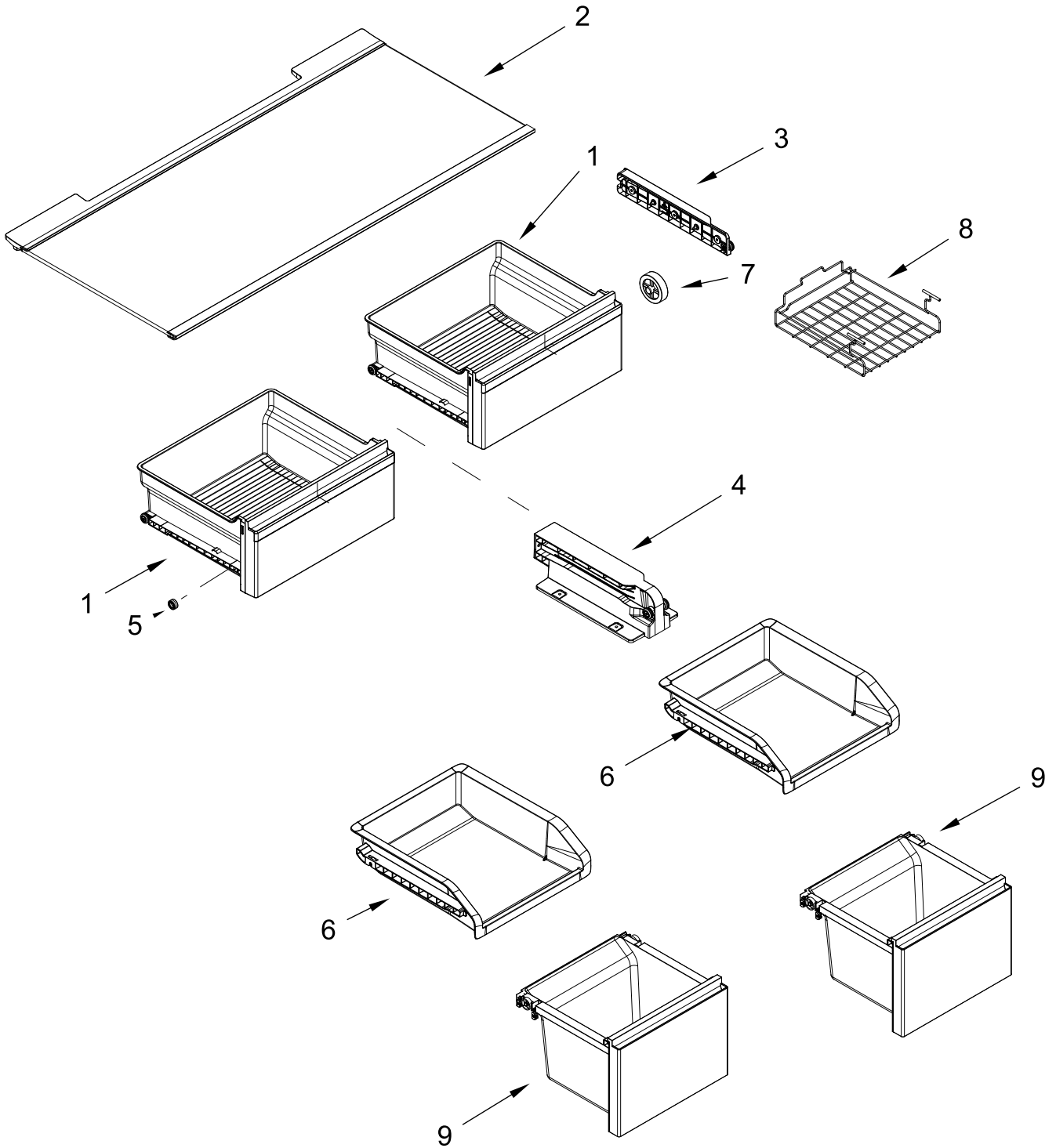
FREEZER DOOR PARTS



FREEZER DOOR PARTS

<u>Illus.</u> <u>No.</u>	<u>Part No.</u>	<u>Description</u>	<u>Illus.</u> <u>No.</u>	<u>Part No.</u>	<u>Description</u>	<u>Illus.</u> <u>No.</u>	<u>Part No.</u>	<u>Description</u>
1		Freezer Door	3	W11306327	Gasket, Freezer Door	4		Door Self Lock
	W11467842	Left Hand					W11110855	Left Hand
2		Freezer Door					W11110854	Right Hand
	W11467844	Right Hand				5	W11110857	Stopper, Door

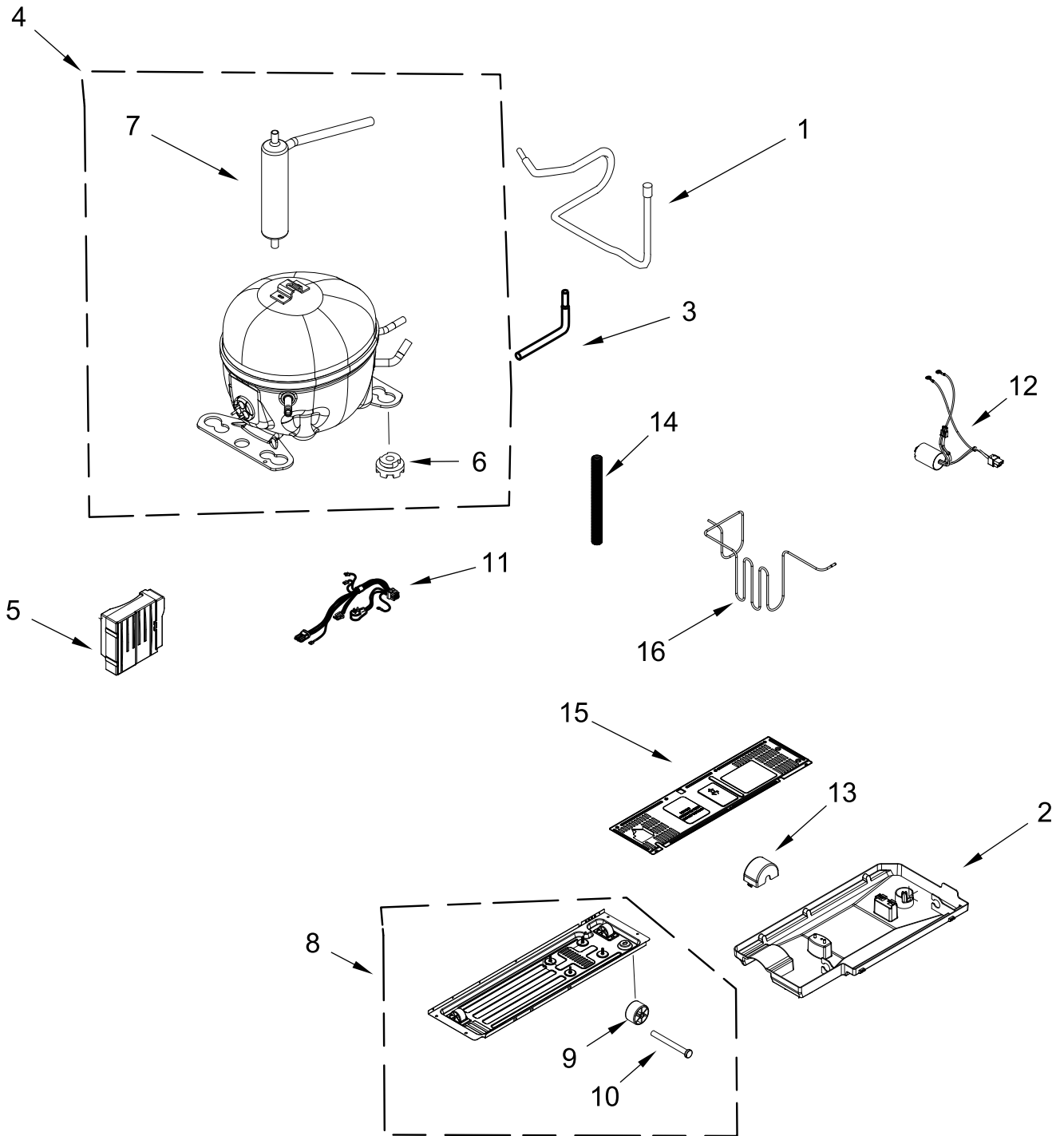
REFRIGERATOR & FREEZER SHELF PARTS



REFRIGERATOR & FREEZER SHELF PARTS

<u>Illus.</u> <u>No.</u>	<u>Part No.</u>	<u>Description</u>	<u>Illus.</u> <u>No.</u>	<u>Part No.</u>	<u>Description</u>	<u>Illus.</u> <u>No.</u>	<u>Part No.</u>	<u>Description</u>
1	W11126642	Assembly, Crisper Pan	4	W11124486	Support, Center Crisper	8	W11394971	Assembly, Pizza Rack
2	W11370296	Assembly, Glass Shelf	5	W11102601	Assembly, Roller Pan	9	W11024037	Drawer, Bottom
3		Crisper Pan Support	6	W11370298	Assembly, Tray			
	W11124470	Left Hand	7	W11047171	Assembly, Track Roller			
	W11124473	Right Hand						

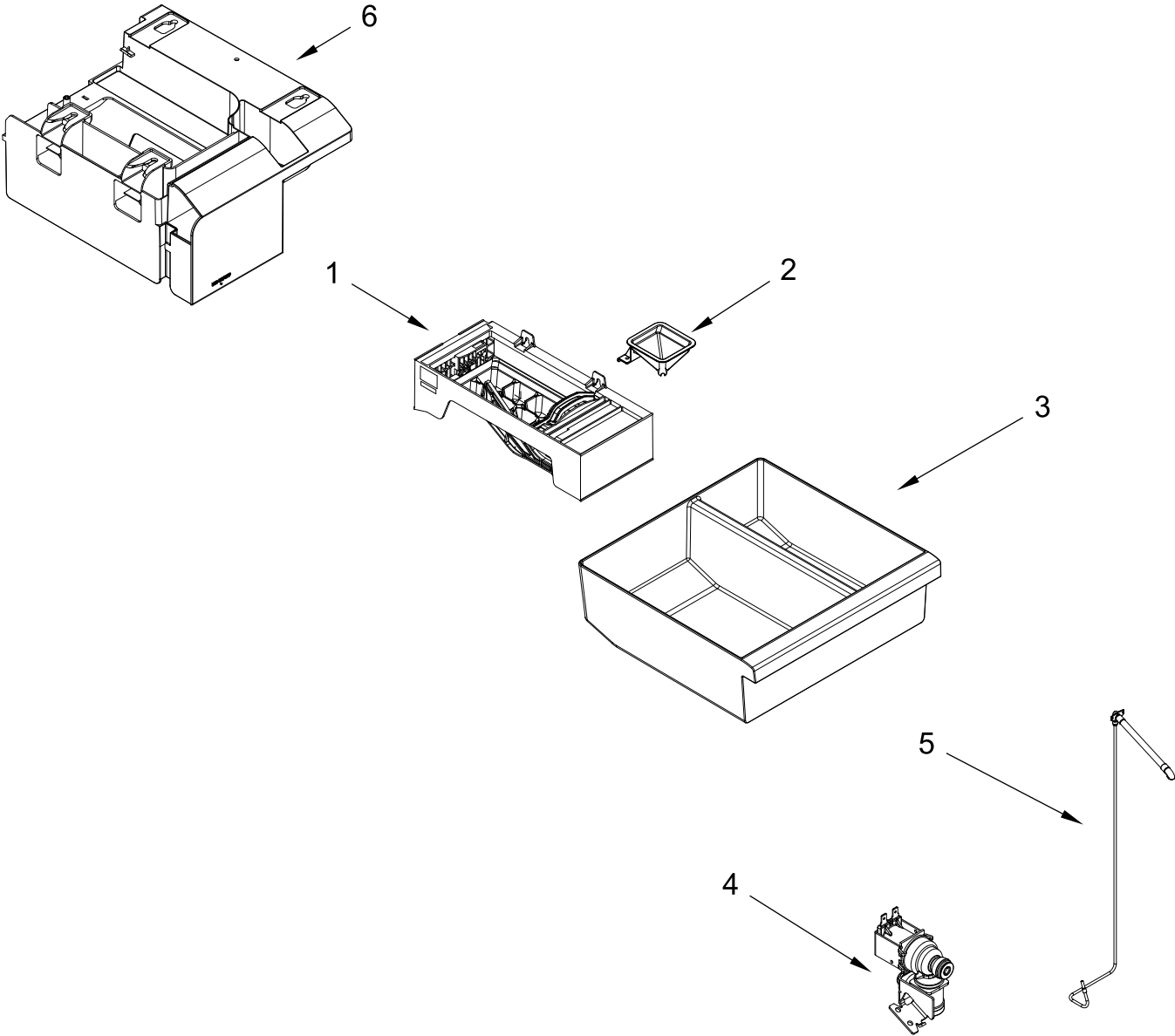
UNIT PARTS



UNIT PARTS

<u>Illus.</u> <u>No.</u>	<u>Part No.</u>	<u>Description</u>	<u>Illus.</u> <u>No.</u>	<u>Part No.</u>	<u>Description</u>	<u>Illus.</u> <u>No.</u>	<u>Part No.</u>	<u>Description</u>
1	W11200488	Tube, Suction	5	W11320585	Inverter	9		Roller (Not Serviced)
2	W11029011	Tray, Evaporator	6	4387558	Grommet	10		Bolt (Not Serviced)
3	W11047160	Tube, Process	7	W11024453	Assembly, Drier	11	W11368461	Cord, Power
4	W11208327	Compressor (Also Order the Following Lokring Parts)			(Also Order the Following Lokring Parts)	12	W11117895	Assembly, Filter Harness
	W10895723	8/6-NR-MS-00 (Suction Tube to Compressor)		W10896689	5/4-NR-MS-00 (Heat Loop to Drier)	13	W11083695	Cover, Compressor Roller
	W10913906	6-NF-MS-SV-NG (Discharge Tube to Compressor)		W11313694	5/1.8-NR-MS-00 (Capillary Tube to Drier)	14	W11029075	Assembly, Drain Tube
	W10895750	7/5-NR-MS-00 (High Pressure Side to Compressor)		W10891060	4-NK-MS-00 (Heat Loop to Drier)	15	W11027538	Unit, Cover
			8	W11027541	Plate, Compressor Base	16	W11102577	Tube, Discharge REFRIGERANT CHARGE 77.0 grams (R600a)

ICEMAKER PARTS



ICEMAKER PARTS

<u>Illus.</u> <u>No.</u>	<u>Part No.</u>	<u>Description</u>	<u>Illus.</u> <u>No.</u>	<u>Part No.</u>	<u>Description</u>	<u>Illus.</u> <u>No.</u>	<u>Part No.</u>	<u>Description</u>
1	W11397137	Assembly, Icemaker	3	W11394756	Tray, Ice	5	W11395429	Tube, Fill
2	W11366275	Water, Funnel	4	W11383473	Assembly, Water Valve	6	W11366298	Frame, Icemaker