

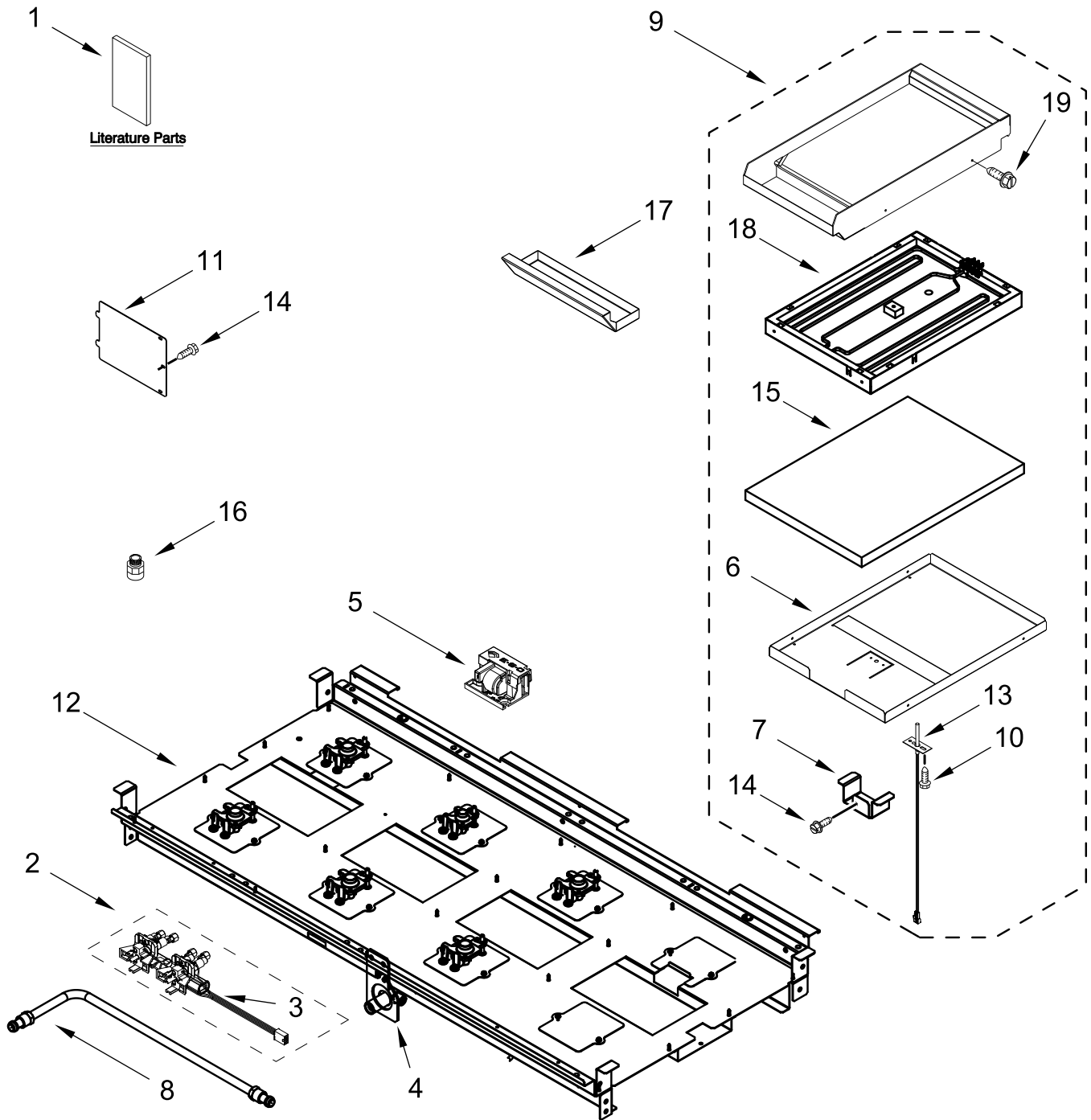
KitchenAid®

**48" SMART COMMERCIAL-STYLE DUAL FUEL RANGE
Includes Griddle**

MODELS:

KFDC558JMH00 (Matte Milkshake)

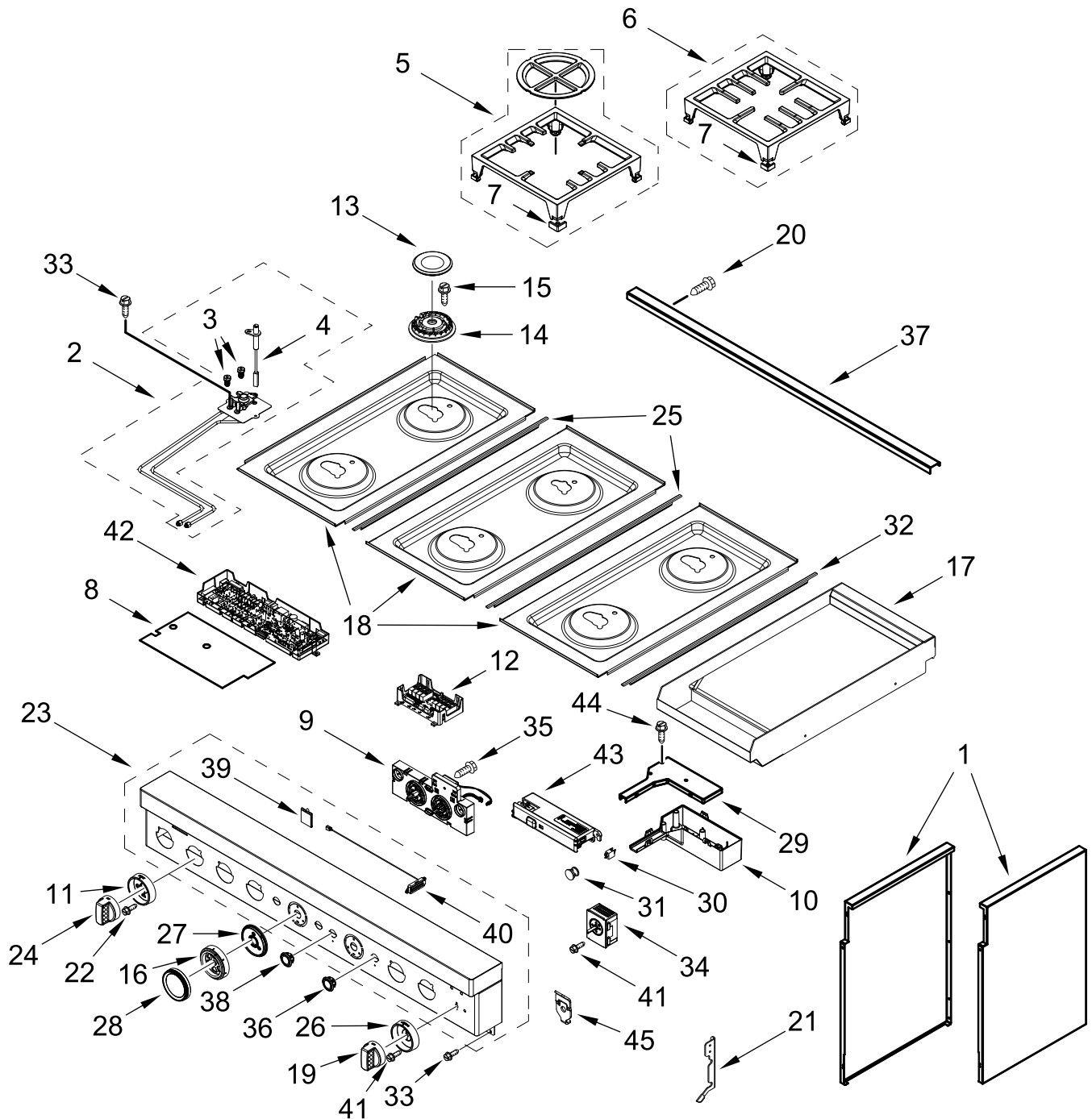
BURNER BOX AND GRIDDLE PARTS



BURNER BOX AND GRIDDLE PARTS

| <u>Illus.</u> <u>No.</u> | <u>Part No.</u> | <u>Description</u> | <u>Illus.</u> <u>No.</u> | <u>Part No.</u> | <u>Description</u> | <u>Illus.</u> <u>No.</u> | <u>Part No.</u> | <u>Description</u> |
|-----------------------------|-----------------|---|-----------------------------|-----------------|--------------------------------------|-----------------------------|-----------------|---------------------------------|
| 1 | | Literature Parts | 3 | W10903728 | Switch, Harness | 17 | W10276497 | Tray, Griddle Drip |
| | W11114331 | Guide, Use And Care | 4 | W11121194 | Bracket, Manifold | 18 | W10891698 | Element, Griddle |
| | W11114334 | Instructions, Installation | 5 | W11121317 | Module, Spark | 19 | 3196176 | Screw |
| | W11184759 | Guide, Internet Connectivity | 6 | W11330430 | Tray, Griddle Insulation | | | FOLLOWING PARTS NOT ILLUSTRATED |
| | W11114332 | Guide, Quick Start | 7 | W11121384 | Bracket, Griddle-RTD | W11200302 | | Harness, Main (30") |
| | W11202393 | Diagram, Wiring | 8 | W10892809 | Tube, Manifold Supply (Left) | W11200311 | | Harness, Main (18") |
| | W11202387 | Diagram, Wiring (Oven) | | W10892804 | Tube, Manifold Supply (Left Center) | W10903727 | | Harness, Griddle |
| | W11202289 | Sheet, Tech | | W10892805 | Tube, Manifold Supply (Right Center) | W11200329 | | Harness, Cooktop |
| 2 | W11183720 | Assembly, Valve Manifold (Left Front And Left Rear) | 9 | W10891745 | Assembly, Griddle Module | W10780278 | | Harness, Door Lock |
| | W11036612 | Assembly, Valve Manifold (Left Center Front And Left Center Rear) | 10 | 3196160 | Screw | W11200318 | | Harness, Communication |
| | W10892994 | Assembly, Valve Manifold (Right Center Front And Right Center Rear) | 11 | W10115843 | Cover, Ignition | W11242785 | | Harness, WIFI |
| | | | 12 | | Box, Burner (Not Serviced) | W11212216 | | Cord, Power |
| | | | 13 | W10891584 | Sensor, Griddle | 9759877 | | Retainer, Strain Relief |
| | | | 14 | 7101P426-60 | Screw | 4450800 | | Screw, Grounding |
| | | | 15 | W11121383 | Insulation, Griddle | W10253333 | | Bracket, Anti-Tip |
| | | | 16 | 4453116 | Adapter, Male | 7101P485-60 | | Screw, Anti-Tip Kit |
| | | | | | | W11238042 | | Kit, LP Conversion |

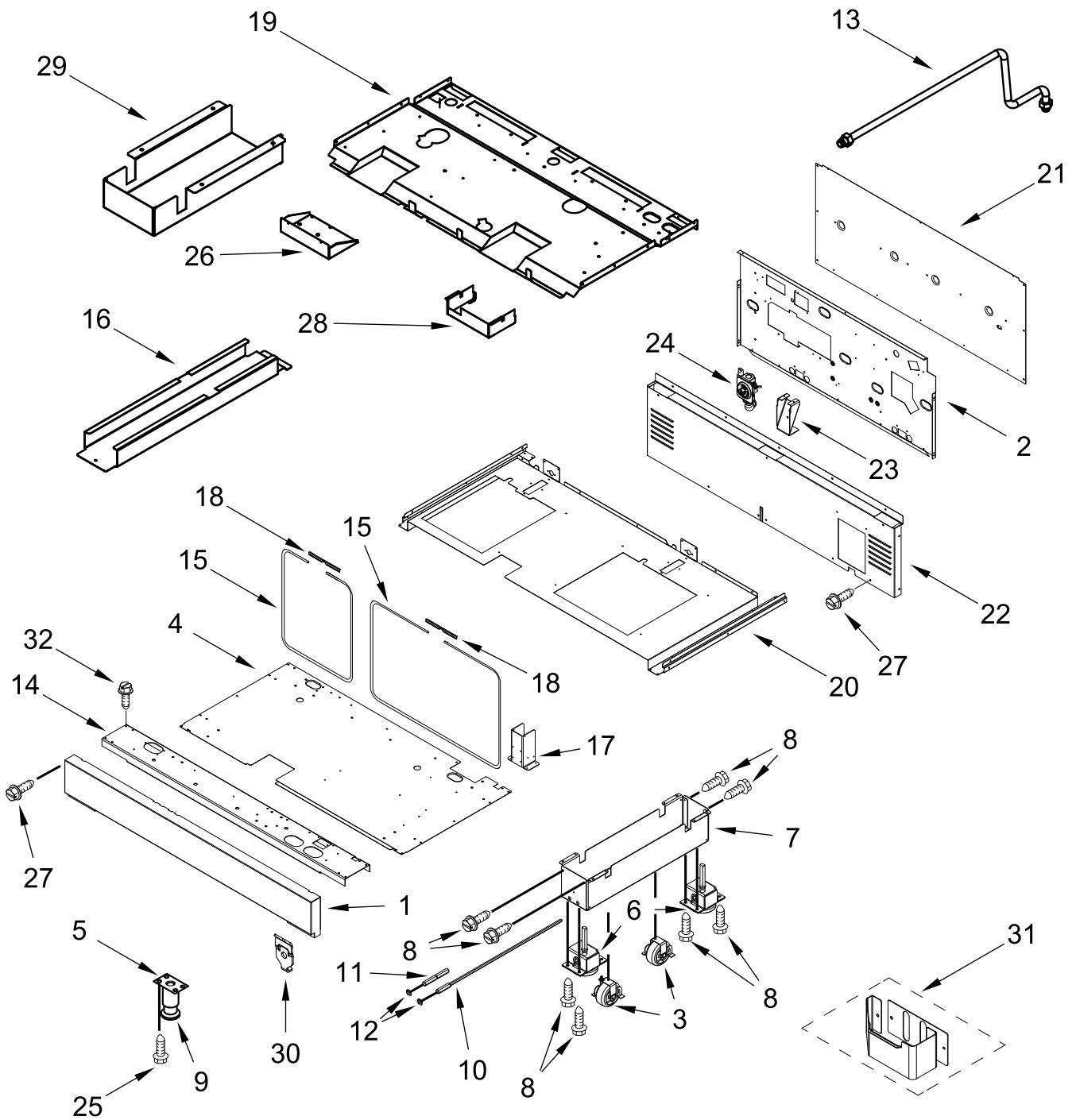
COOKTOP, BURNER AND GRATE PARTS



COOKTOP, BURNER AND GRATE PARTS

| <u>Illus. No.</u> | <u>Part No.</u> | <u>Description</u> | <u>Illus. No.</u> | <u>Part No.</u> | <u>Description</u> | <u>Illus. No.</u> | <u>Part No.</u> | <u>Description</u> |
|-------------------|-----------------|---|-------------------|-----------------|---|-------------------|-----------------|--|
| 1 | W11111429 | Panel, Cabinet Side (Left) | 7 | W11042504 | Bumper, Grate | 23 | W10877951 | Panel, Control |
| | W11111428 | Panel, Cabinet Side (Right) | 8 | W11281269 | Barrier, Appliance Manager | 24 | | Knob, Burner |
| 2 | W10892793 | Assembly, Orifice Holder (Left Front) | 9 | W11219193 | Interface, User | W10912166 | | Stainless (Left Rear, Left Center Front, Right Center Rear) |
| | W10892492 | Assembly, Orifice Holder (Left Rear) | 10 | W11205795 | Cover, WIFI Outer | W10883172 | | Stainless (Left Front, Left Center Rear, Right Center Front) |
| | W11159461 | Assembly, Orifice Holder (Left Center Front) | 11 | W10881642 | Bezel (Front Burners) | 25 | | Trim, T-Strip |
| | W10892808 | Assembly, Orifice Holder (Left Center Rear) | 12 | W10883433 | Bezel (Rear Burners) | W10271524 | | Black |
| | W10892505 | Assembly, Orifice Holder (Right Center Front) | 13 | W11121390 | Cap, Burner Black (Includes 6) | 26 | W10886700 | Bezel, Griddle |
| | W10892446 | Assembly, Orifice Holder (Right Center Rear) | 14 | W10891746 | Spreader, Flame (High) (Left Front, Right Center Front) | 27 | | Bezel, Oven |
| | | | | W10891974 | Spreader, Flame (Low) (Left Rear, Left Center Front, Right Center Rear) | W10913810 | | Stainless |
| | | | | W10891978 | Spreader, Flame (AUX) (Left Center Rear) | 28 | | Knob, Oven Temperature |
| 3 | W10892422 | Orifice, Main (17.4K) (Left Front, Right Center Front) | 15 | W11323261 | Screw (8-18 X 1") | 31 | W10294500 | Lens, Indicator Light |
| | W10892419 | Orifice, Main (15K) (Left Rear, Left Center Front, Right Center Rear) | 16 | W11323309 | Screw (8-18 X 1/2") | 32 | W10291193 | Trim, L-Strip |
| | W10892435 | Orifice, Simmer (2.6K) (Left Front, Right Center Front) | 17 | W11249667 | Knob, Oven Mode Stainless | 33 | 7101P426-60 | Screw |
| | W10892438 | Orifice, Simmer (5K) (Left Center Rear) | 18 | W11038235 | Assembly, Griddle Module (Part Number Shown On Burner Box and Griddle Parts Page) | 34 | W11033497 | Control, Griddle |
| 4 | W11238757 | Igniter (Left Front, Right Center Front) | 19 | W11038257 | Black (Left Center) | 35 | 3400814 | Screw |
| | W11114379 | Igniter (Left Rear) | 20 | W11038243 | Black (Right Center) | 36 | W11241510 | Button Assembly, Oven Start |
| | W10892340 | Igniter (Left Center Front, Left Center Rear, Right Center Rear) | 21 | W10912167 | Knob, Griddle Stainless | 37 | W11156418 | Trim, Island |
| 5 | W11291183 | Burner, Grate (With Wok Ring) | 22 | 7101P338-60 | Screw | 38 | W11241511 | Button Assembly, Oven Light |
| 6 | W11291179 | Burner, Grate | | W10130760 | Bracket, Moving Console (Left) | 39 | W10896366 | Assembly, Light Pipe |
| | | | | W10130759 | Bracket, Moving Console (Right) | 40 | W11130078 | Antenna, WIFI |
| | | | | W10919387 | Screw | 41 | W10674068 | Screw |
| | | | | | | 42 | W11100281 | Manager, Appliance (Powermax) |
| | | | | | | 43 | W11110768 | Assembly, WIFI Module |
| | | | | | | 44 | 7101P624-60 | Screw |
| | | | | | | 45 | W11036559 | Spring Clip, Range |

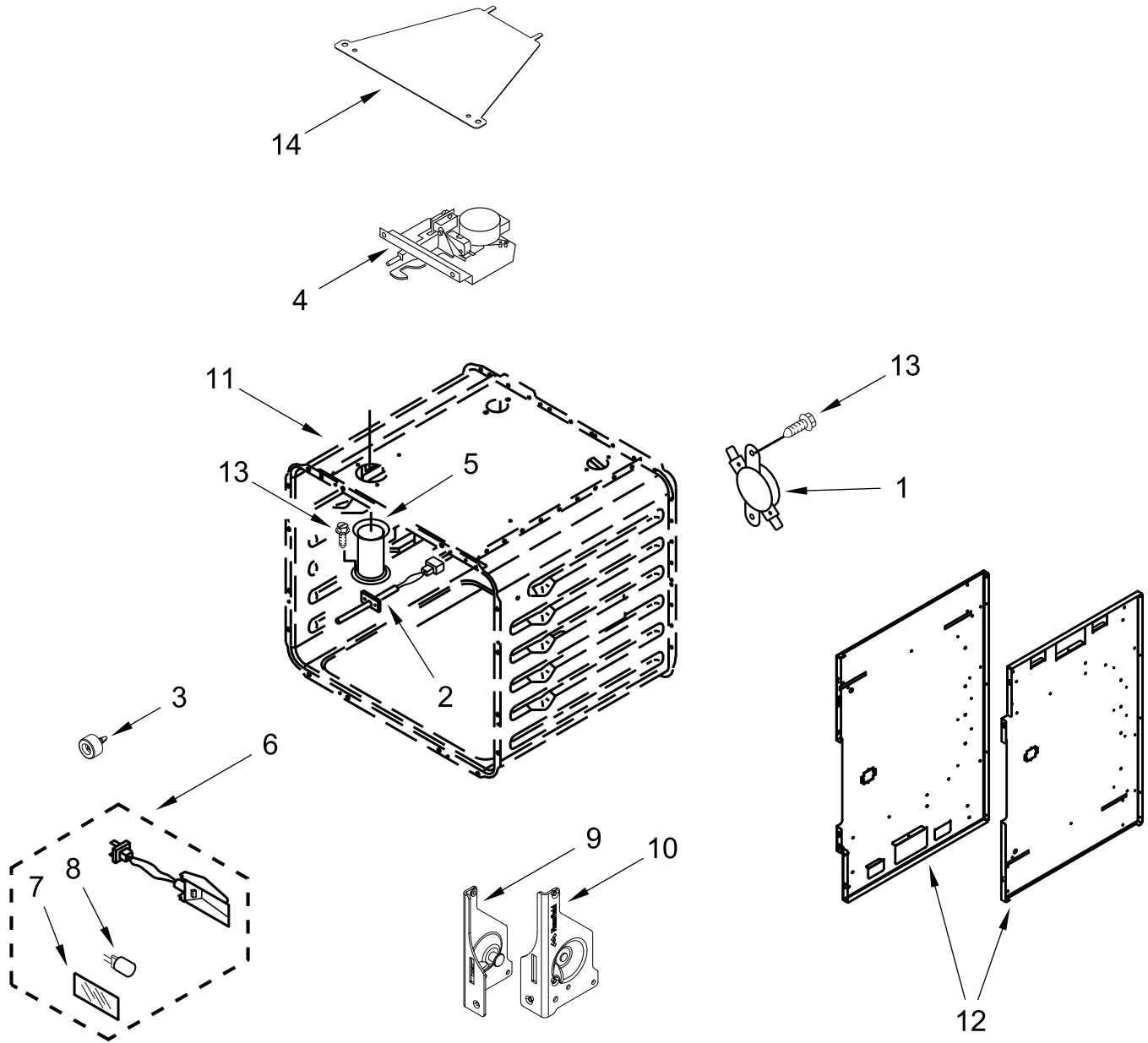
48" CHASSIS PARTS



48" CHASSIS PARTS

| <u>Illus. No.</u> | <u>Part No.</u> | <u>Description</u> | <u>Illus. No.</u> | <u>Part No.</u> | <u>Description</u> | <u>Illus. No.</u> | <u>Part No.</u> | <u>Description</u> |
|-------------------|-----------------|--------------------------|-------------------|-----------------|-----------------------------|-------------------|-----------------|----------------------------|
| 1 | W11394807 | Kickplate | 14 | W11369238 | Support, Channel | 24 | W10449140 | Regulator, Pressure |
| 2 | W11324987 | Back, Chassis | 15 | W11115328 | Gasket, Oven (30") | 25 | 3400518 | Screw |
| 3 | W10138054 | Assembly, Roller | | W11115326 | Gasket, Oven (18") | 26 | W11106341 | Drawer, Appliance Manager |
| 4 | W11110260 | Duct, Bottom (48") | 16 | W11050145 | Duct-Chassis, Rear | 27 | 7101P426-60 | Screw |
| 5 | 9759118 | Plate, Mounting | 17 | W10115819 | Column, Central | 28 | W11369237 | Cabinet, Appliance Manager |
| 6 | 9760860 | Leveler | 18 | W11362015 | Retainer, Gasket (9" Long) | 29 | W11368831 | Channel, Wire |
| 7 | W10908710 | Base, Leveling Leg | 19 | W11324984 | Top, Chassis | 30 | W11036559 | Spring Clip, Range |
| 8 | 4449743 | Screw | 20 | W11040800 | Chassis, Bottom | 31 | W11199181 | Cover, Foot (Left) |
| 9 | 9759117 | Foot, Dual Fuel | 21 | W11103335 | Panel, Back Top | | W11199178 | Cover, Foot (Right) |
| 10 | W10115869 | Shaft, Long | 22 | W11034123 | Panel, Back Bottom | 32 | 3196560 | Screw |
| 11 | W10115793 | Shaft, Short | 23 | W11096823 | Bracket, Pressure Regulator | | | |
| 12 | 489504 | E-Ring | | | | | | |
| 13 | W11106963 | Tube, Pressure Regulator | | | | | | |

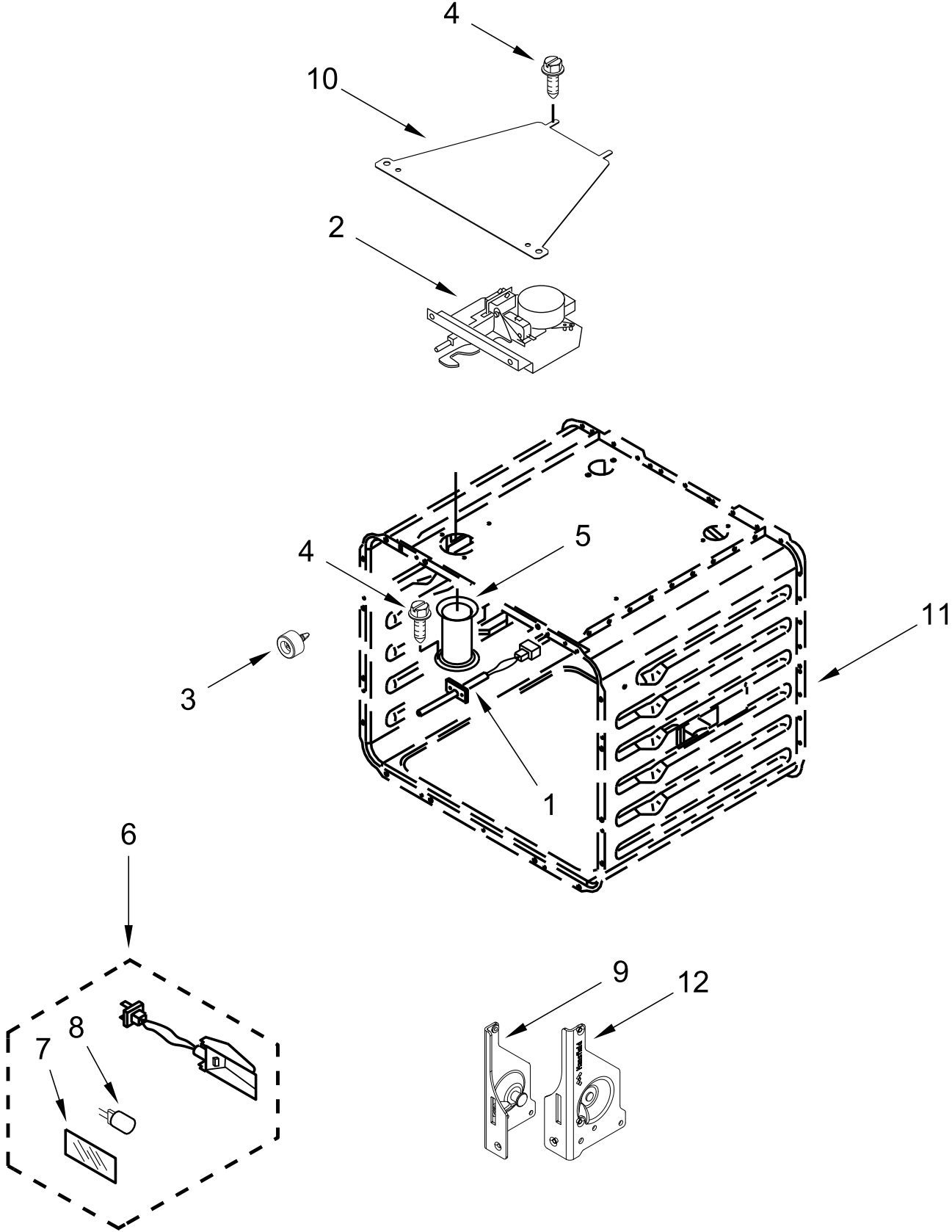
30" OVEN PARTS



30" OVEN PARTS

| <u>Illus.</u> <u>No.</u> | <u>Part No.</u> | <u>Description</u> | <u>Illus.</u> <u>No.</u> | <u>Part No.</u> | <u>Description</u> | <u>Illus.</u> <u>No.</u> | <u>Part No.</u> | <u>Description</u> |
|-----------------------------|-----------------|------------------------|-----------------------------|-----------------|----------------------------|-----------------------------|-----------------|------------------------------------|
| 1 | 4449751 | Thermostat (TOD) | 10 | W11096293 | Receiver, Hinge (Right) | 14 | W10160858 | Cover, Latch |
| 2 | W10622170 | Probe, Sensor | | | | | | FOLLOWING PARTS NOT ILLUSTRATED |
| 3 | W10351278 | Bumper & Screw | 11 | | Liner, Oven (Not Serviced) | | W10282810 | Insulation, Wrap, 30" |
| 4 | W10830016 | Latch, Motorized | 12 | W11102297 | Chassis, Side (Left) | | W10282818 | Insulation, Back, 30" |
| 5 | W11290663 | Tube, Vent | | W11102296 | Chassis, Side (Right) | | 3400968 | Nut |
| 6 | W11223932 | Assembly, Oven Light | 13 | 7101P426-60 | Screw | | | |
| 7 | W10169756 | Lens, Light | | | | | | |
| 8 | W10169757 | Bulb, Light | | | | | | |
| 9 | W11096294 | Receiver, Hinge (Left) | | | | | | |

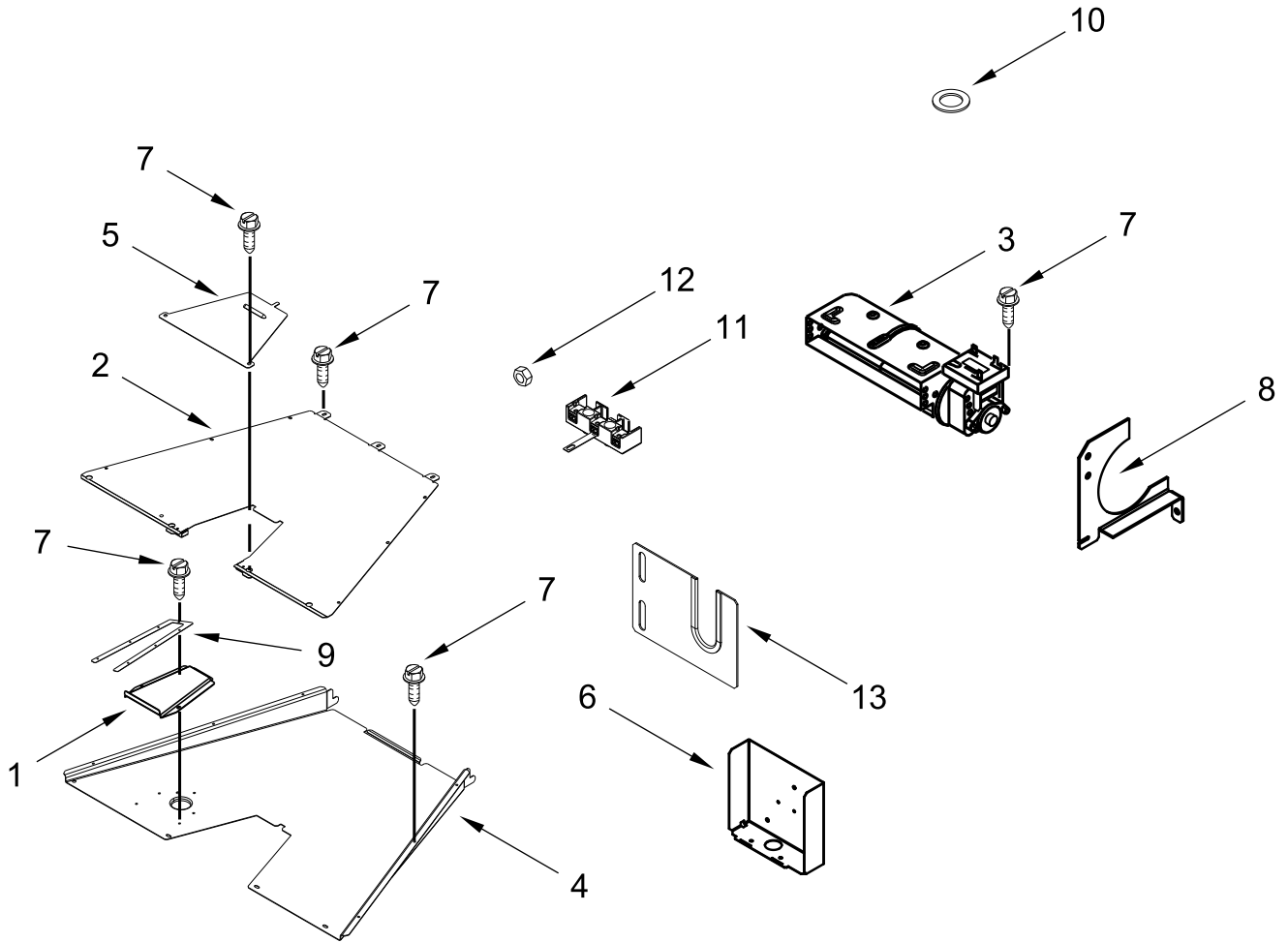
18" OVEN PARTS



18" OVEN PARTS

| <u>Illus.</u> <u>No.</u> | <u>Part No.</u> | <u>Description</u> | <u>Illus.</u> <u>No.</u> | <u>Part No.</u> | <u>Description</u> | <u>Illus.</u> <u>No.</u> | <u>Part No.</u> | <u>Description</u> |
|-----------------------------|-----------------|----------------------|-----------------------------|-----------------|----------------------------|-----------------------------|-----------------|------------------------------------|
| 1 | W10622170 | Probe, Sensor | 8 | W10169757 | Bulb, Light | 12 | W11096293 | Receiver, Hinge (Right) |
| 2 | W10830016 | Latch, Motorized | 9 | W11096294 | Receiver, Hinge (Left) | | | |
| 3 | W10351278 | Bumper & Screw | 10 | W10160858 | Cover, Latch | | | FOLLOWING PARTS NOT ILLUSTRATED |
| 4 | 7101P426-60 | Screw | 11 | | Liner, Oven (Not Serviced) | | W10282820 | Insulation, Wrap, 18" |
| 5 | W10288078 | Tube, Vent | | | | | W10282812 | Insulation, Back, 18" |
| 6 | W11223932 | Assembly, Oven Light | | | | | 3400968 | Nut |
| 7 | W10169756 | Lens, Light | | | | | | |

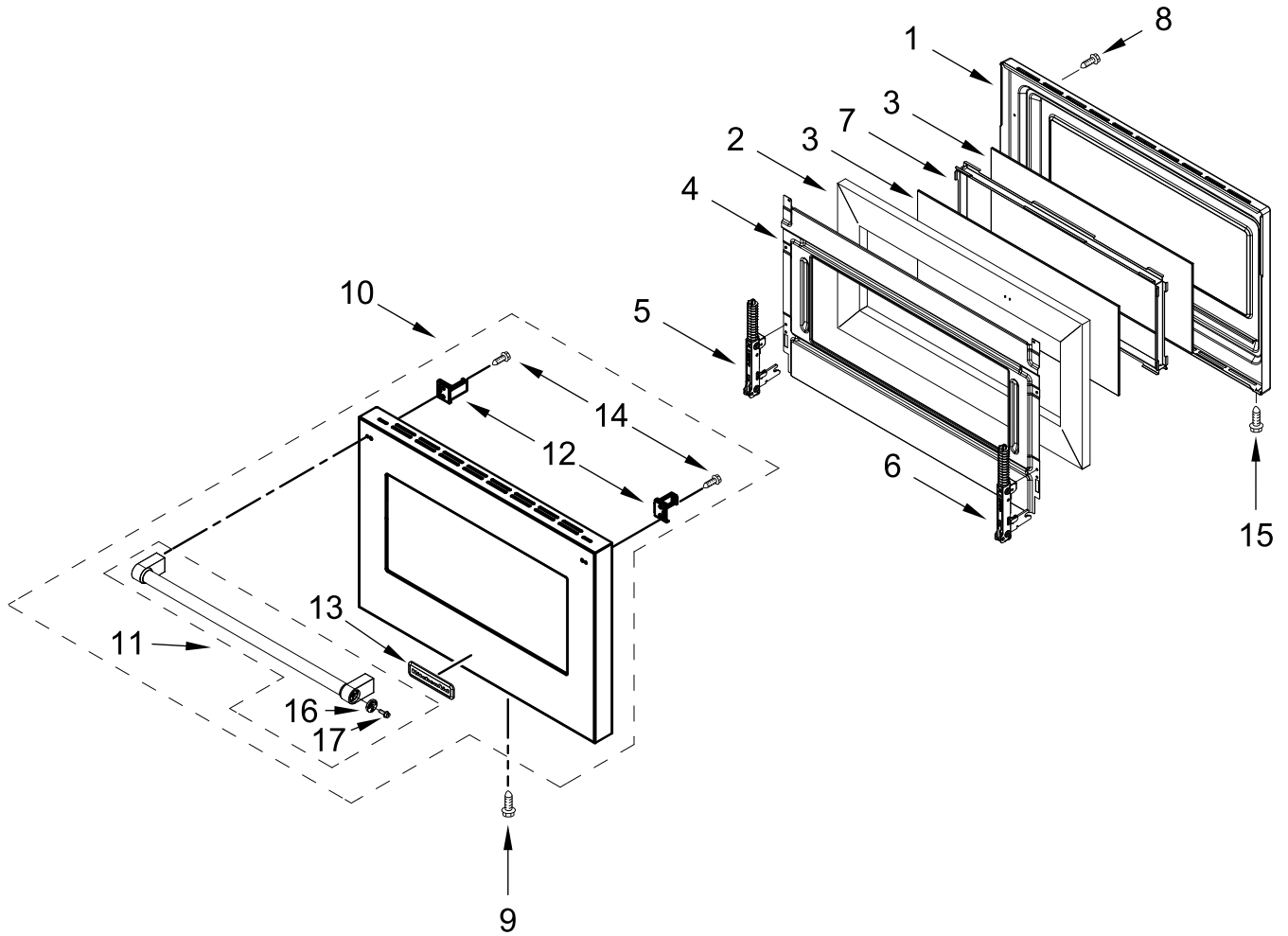
VENTING PARTS



VENTING PARTS

| <u>Illus. No.</u> | <u>Part No.</u> | <u>Description</u> | <u>Illus. No.</u> | <u>Part No.</u> | <u>Description</u> | <u>Illus. No.</u> | <u>Part No.</u> | <u>Description</u> |
|-------------------|-----------------|---------------------------|-------------------|-----------------|----------------------------|-------------------|-----------------|------------------------|
| 1 | W10818234 | Slope, Exhaust Vent (30") | 4 | W11105222 | Vent, Cooling Bottom (30") | 9 | W10270397 | Seal, Vent Slope (30") |
| | W10818235 | Slope, Exhaust Vent (18") | | W11113378 | Vent, Cooling Bottom (18") | | W10270402 | Seal, Vent Slope (18") |
| 2 | W11105223 | Vent, Cooling Top (30") | 5 | W11109518 | Plate, Cooling Latch | 10 | W10270396 | Seal, Chimney |
| | W11113380 | Vent, Cooling Top (18") | 6 | W11353392 | Box, Terminal | 11 | 9761958 | Block, Terminal |
| 3 | W11200129 | Blower | 7 | 7101P426-60 | Screw | 12 | 112432 | Nut, Hex |
| | | | 8 | W11047754 | Bracket, Blower Mount | 13 | W11106956 | Cover, Channel |

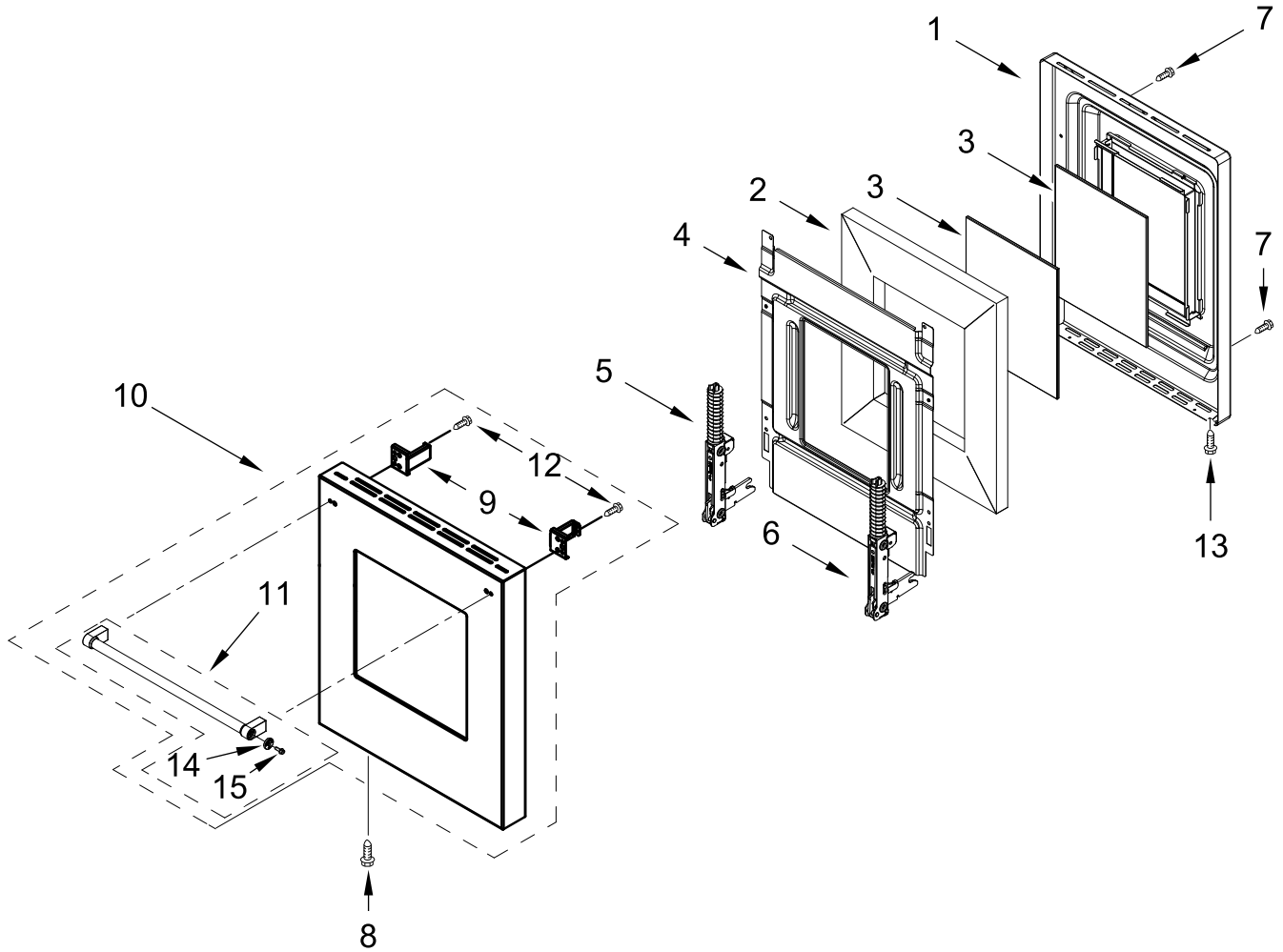
30" OVEN DOOR PARTS



30" OVEN DOOR PARTS

| <u>Illus.</u> <u>No.</u> | <u>Part No.</u> | <u>Description</u> | <u>Illus.</u> <u>No.</u> | <u>Part No.</u> | <u>Description</u> | <u>Illus.</u> <u>No.</u> | <u>Part No.</u> | <u>Description</u> |
|-----------------------------|-----------------|---------------------|-----------------------------|-----------------|---|-----------------------------|-----------------|--------------------|
| 1 | W11036771 | Liner, Door | 8 | W10898280 | Screw | 14 | W10276043 | Screw |
| 2 | W10321285 | Insulation, Door | 9 | W10162096 | Screw | 15 | W10607120 | Screw |
| 3 | W11184409 | Glass, Inner | 10 | W11389297 | Assembly, Outer Door (Includes Handle) | 16 | W11221410 | Medallion, Handle |
| 4 | W11194821 | Retainer, Glass | 11 | W11221412 | Assembly, Door Handle | 17 | W10656499 | Screw |
| 5 | W11390105 | Hinge, Door (Left) | 12 | W11197830 | Bracket, Handle | | | |
| 6 | W11390124 | Hinge, Dual (Right) | 13 | W10518672 | Badge | | | |
| 7 | W10272594 | Frame, Glass | | | | | | |

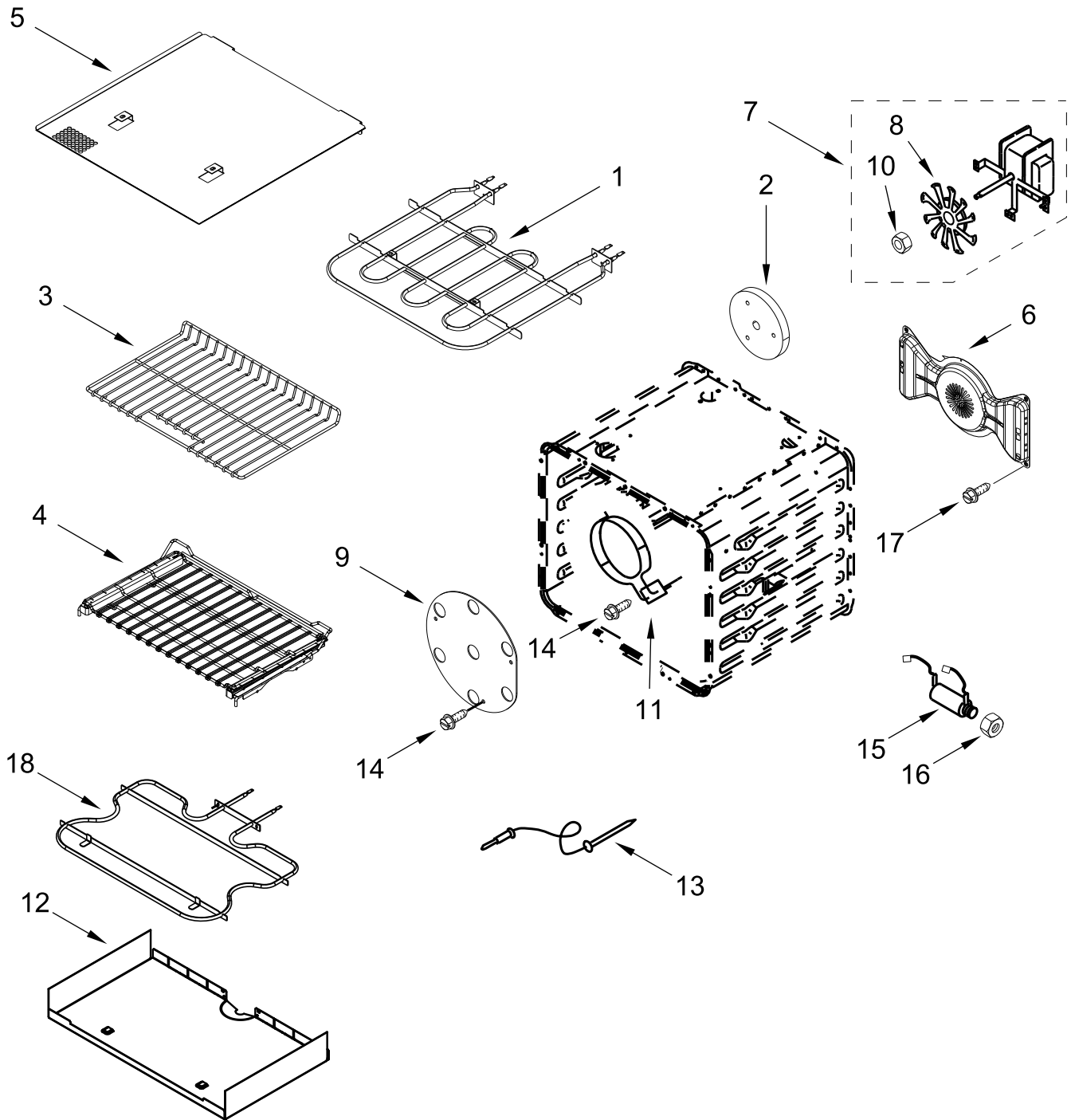
18" OVEN DOOR PARTS



18" OVEN DOOR PARTS

| <u>Illus.</u> <u>No.</u> | <u>Part No.</u> | <u>Description</u> | <u>Illus.</u> <u>No.</u> | <u>Part No.</u> | <u>Description</u> | <u>Illus.</u> <u>No.</u> | <u>Part No.</u> | <u>Description</u> |
|-----------------------------|-----------------|---------------------|-----------------------------|-----------------|---|-----------------------------|-----------------|--------------------|
| 1 | W11036770 | Liner, Door | 7 | W10898280 | Screw | 12 | W10276043 | Screw |
| 2 | W10884821 | Insulation, Door | 8 | W10162096 | Screw | 13 | W10607120 | Screw |
| 3 | W11036789 | Glass, Inner | 9 | W11197830 | Bracket, Handle | 14 | W11221410 | Medallion, Handle |
| 4 | W11194818 | Retainer, Glass | 10 | W11389272 | Assembly, Outer Door (Includes Handle) | 15 | W10656499 | Screw |
| 5 | W11390106 | Hinge, Door (Left) | | | | | | |
| 6 | W11390125 | Hinge, Door (Right) | 11 | W11221413 | Handle, Door | | | |

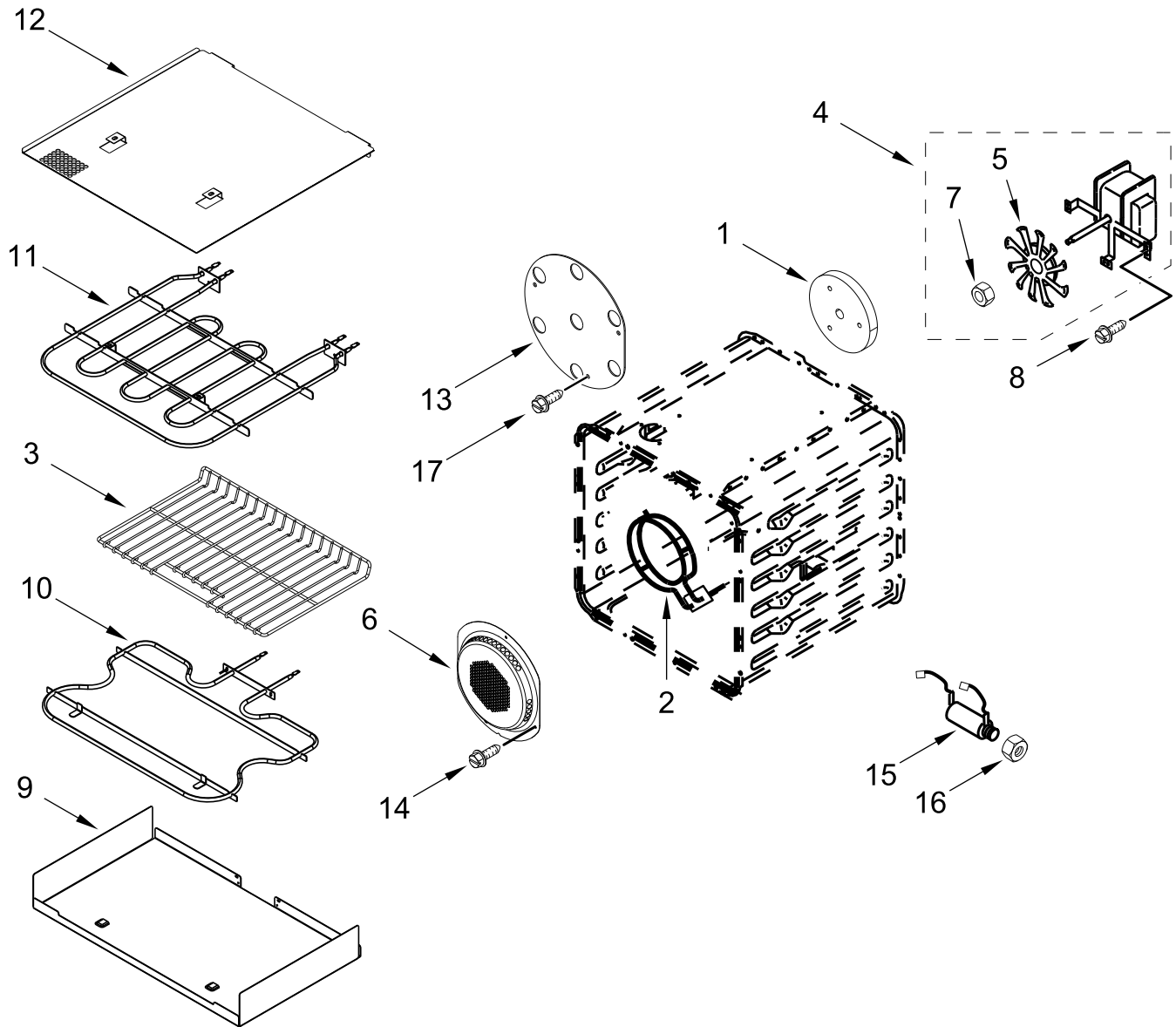
30" INTERNAL OVEN PARTS



30" INTERNAL OVEN PARTS

| <u>Illus.</u> <u>No.</u> | <u>Part No.</u> | <u>Description</u> | <u>Illus.</u> <u>No.</u> | <u>Part No.</u> | <u>Description</u> | <u>Illus.</u> <u>No.</u> | <u>Part No.</u> | <u>Description</u> |
|-----------------------------|-----------------|---------------------------------|-----------------------------|-----------------|------------------------------|-----------------------------|-----------------|----------------------|
| 1 | W10115994 | Element, Broil | 8 | W10631503 | Blade, Fan | 15 | 9755543 | Jack, Meat Probe |
| 2 | W10282821 | Insulation, Convection Cover | 9 | W10261523 | Plate, Fan | 16 | W11033111 | Nut, Locking |
| 3 | W10570887 | Rack, Oven | 10 | W10631504 | Nut, Acorn (LH) | 17 | W10739592 | Screw |
| 4 | W11108461 | Rack, Oven (Sliding) | 11 | 9762242 | Element, Convection Steam | 18 | W10115995 | Element, Hidden Bake |
| 5 | W10160856 | Shield, Element Broil | 12 | W11109421 | Tray, Hidden Bake | | | |
| 6 | W11212180 | Baffle, Convection | 13 | 9755542 | Probe, Temperature | | | |
| 7 | W10722667 | Fan, Convection | 14 | 4449154 | Screw | | | |

18" INTERNAL OVEN PARTS



18" INTERNAL OVEN PARTS

| <u>Illus.</u> <u>No.</u> | <u>Part No.</u> | <u>Description</u> | <u>Illus.</u> <u>No.</u> | <u>Part No.</u> | <u>Description</u> | <u>Illus.</u> <u>No.</u> | <u>Part No.</u> | <u>Description</u> |
|-----------------------------|-----------------|------------------------------|-----------------------------|-----------------|-----------------------|-----------------------------|-----------------|--------------------|
| 1 | W10282821 | Insulation, Convection Cover | 7 | W10631504 | Nut, Acorn (LH) | 14 | W10739592 | Screw |
| | | | 8 | 4449154 | Screw | 15 | 9755543 | Jack, Meat Probe |
| 2 | 9762242 | Element, Convection Steam | 9 | W11110223 | Tray, Hidden Bake | 16 | W11033111 | Nut, Locking |
| | | | 10 | W11045324 | Element, Hidden Bake | 17 | W10720084 | Screw |
| 3 | W10570879 | Rack, Oven (18") | 11 | W10116010 | Element, Broil | | | |
| 4 | W10722667 | Fan, Convection | 12 | W10160855 | Shield, Element Broil | | | |
| 5 | W10631503 | Blade, Fan | 13 | W10261523 | Plate, Fan | | | |
| 6 | W11211948 | Cover, Fan | | | | | | |

OPTIONAL PARTS (NOT INCLUDED)

| <u>Illus.</u> <u>No.</u> | <u>Part No.</u> | <u>Description</u> |
|-----------------------------|-----------------|---|
| | | ACCESSORY PARTS |
| | 4396920 | Stainless Steel Cleaner & Polish |
| | W10160195 | Cover, Grill/Griddle |
| | W10216179 | Ring, Wok Backsplash |
| | W10285449 | 48" With Shelves |
| | 31464 | Cleaner, Cooktop |
| | W10123240 | Rack, Broiler Pan & Roasting |
| | 8284755 | Backsplash (Adjustable) |
| | JXA9001CDP | Stainless Steel Wallsplash |
| | W11238043 | Kit, High Altitude Medallion, Handle |
| | W11368841SI | Silver |
| | W11368841BO | Black ANO |
| | W11368841RE | Red ANO |
| | W11368841MP | Marscapone (Cream) |
| | W11368841NE | New Gold |
| | W11368841BN | Bronze |
| | W11368841DD | Dark Blue |