

JGBP25DEM

GE® 30" Free-Standing Gas Range

Dimensions and Installation Information (in inches)

Optional Gas Range Accessory Drip Pans for Sealed and Standard Burner Models:

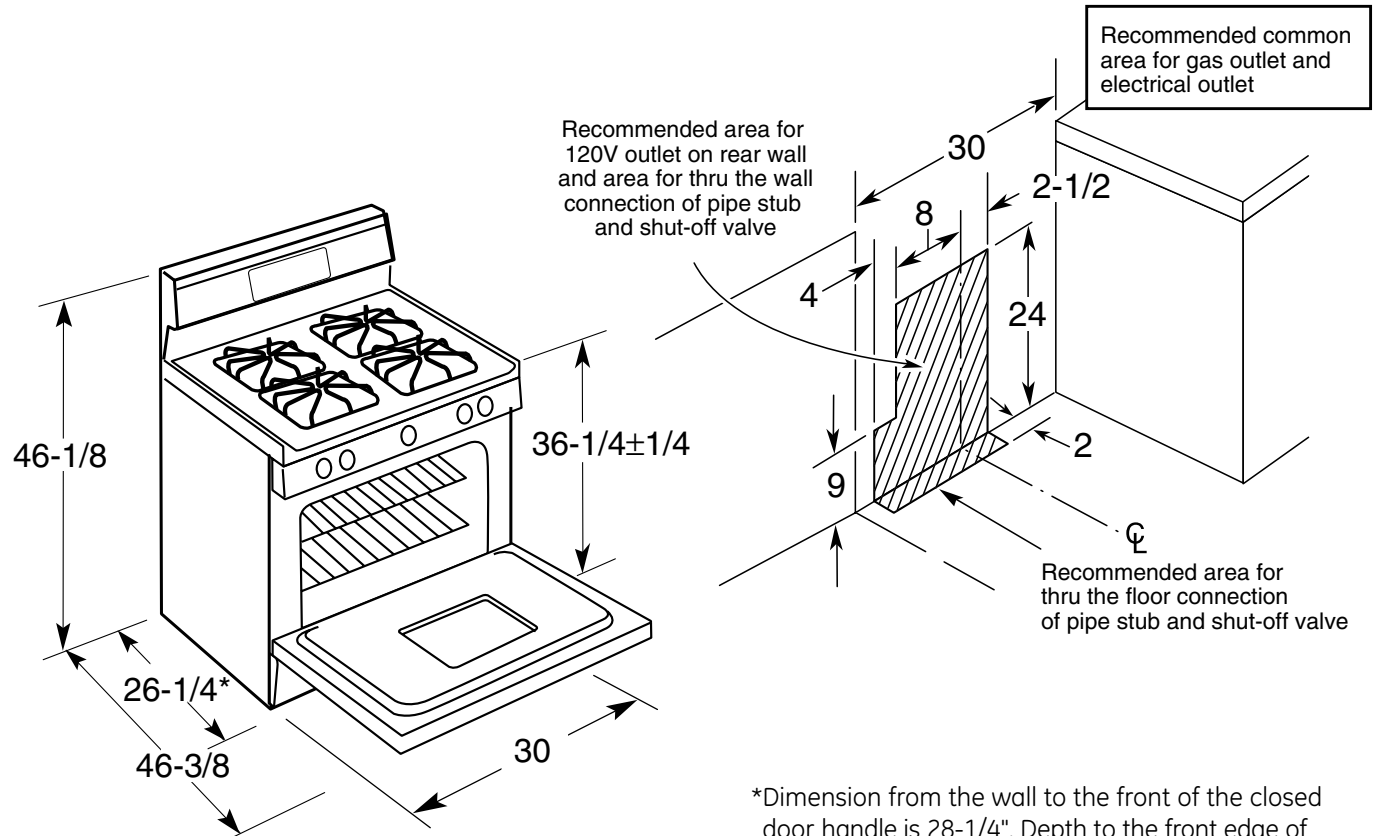
(Available at additional cost)

To order these accessory drip pans, call toll-free 800-626-2002.

Gas Self-Clean Range Anti-Tip Bracket (Part No. 205C1714P001)

Electrical Rating: 120V, 60Hz, 15A

Installation Information: Before installing, consult installation instructions packed with product for current dimensional data.



*Dimension from the wall to the front of the closed door handle is 28-1/4". Depth to the front edge of cooktop 25-1/4".

For answers to your Monogram®, GE Profile™ or GE® appliance questions, visit our website at ge.com or call GE Answer Center® service, 800.626.2000.



All GE ranges are equipped with an Anti-Tip device. The installation of this device is an important, required step in the installation of the range.



JGBP25DEM

GE® 30" Free-Standing Gas Range

Features and Benefits

- Self-Clean Oven - Conveniently cleans the oven cavity without the need for scrubbing
- Extra-Large Oven Capacity - Provides a large oven interior ideal for cooking more items at once
- QuickSet III Oven Controls - Feature an easy to use design that lets you set precise cooking temperatures
- All Purpose Burners - Deliver a wide range of heat output ideal for most cooking requirements
- Sealed Cooktop Burners - Eliminate the space between the burners and the cooktop to help contain spills and boil over liquids, ensuring easy cleanup
- Standard Grates - Provide a sturdy and convenient cookware surface for everyday cooking
- Frameless Glass Oven Door - Offers an easy-to-clean and stylish design that blends seamlessly into existing cabinetry
- Two Oven Racks - Feature a durable construction to help accommodate any size or type of cookware
- Interior Oven Light - Supplies light to make viewing the progress of cooking easy and convenient
- Six Rack Positions - Provides flexibility and allows consumers to make the most of available oven capacity
- Certified Sabbath Mode - Allows you to keep cooked foods warm on the Jewish Sabbath and Jewish holidays
- Model JGBP25DEMWW - White
- Model JGBP25DEMBB - Black

