

JB650DN

GE® 30" Free-Standing Electric Range

Dimensions and Installation Information (in inches)

KW Rating	
240V	10.5
208V	7.9
Breaker Size	
40 Amps†	

†**Note:** Check local codes for required breaker size.

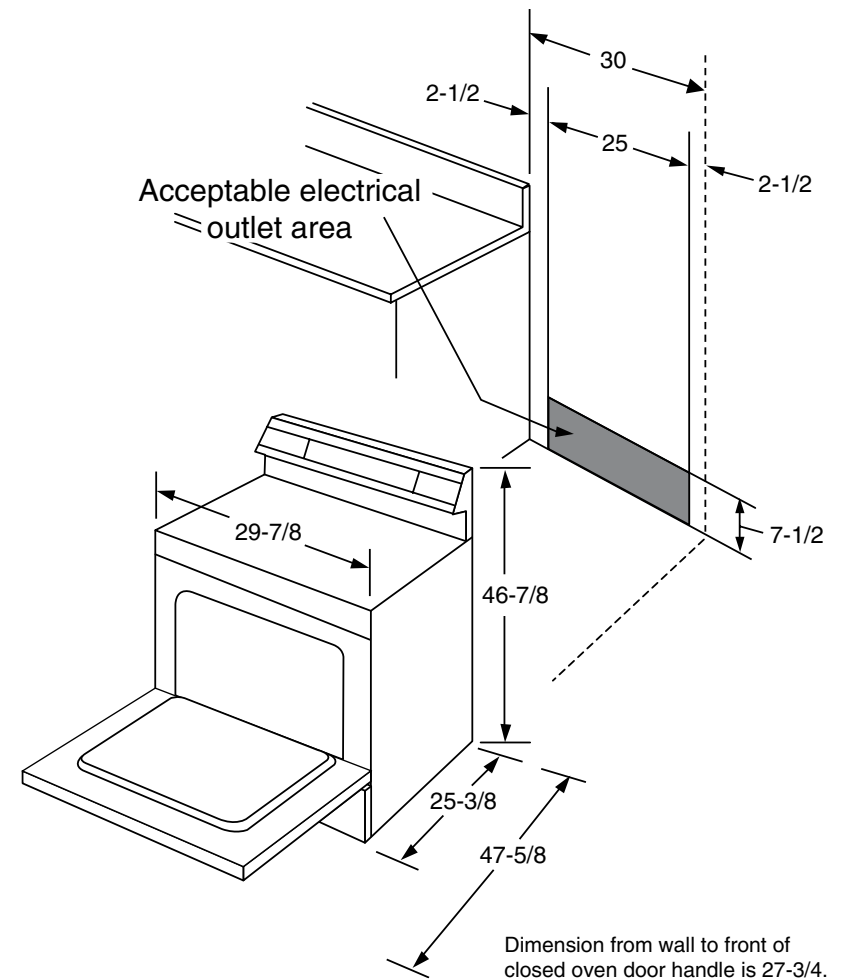
Effective January 1, 1996, the National Electrical Code requires that new construction (not existing) utilize a 4-conductor connection to an electric range.

Receptacle Locations: Locally approved flexible service cord or conduit must be used because terminals are not accessible after range installation. See shaded area in drawing for location of electrical outlet box. Recommended outlet locations allow range to be installed directly against wall.

Note: 30" ranges conform to U.L. requirements for 0" spacing from adjacent walls below countertops. To reduce possibility of scorching walls, engineering recommends a minimum of 1-1/2" spacing to allow for possible extended, high-heat, no-load heating element operation.

Installation information: Before installing, consult installation instructions packed with product for current dimensional data.

For answers to your Monogram®, GE Profile™ or GE® appliance questions, visit our website at ge.com or call GE Answer Center® service, 800.626.2000.



All GE ranges are equipped with an Anti-Tip device. The installation of this device is an important, required step in the installation of the range.



Listed by Underwriters Laboratories

JB650DN

GE® 30" Free-Standing Electric Range

Features and Benefits

- Self-Clean Oven - Conveniently cleans the oven cavity without need of scrubbing
- Super-Large 5.3 Cu. Ft. Oven Capacity - Provides an impressively large oven interior to cook more dishes and large meals at once
- TrueTemp™ System - Delivers even heat distribution and maximum oven control
- Dual Size Ribbon Element - Offers a convenient choice of using a 5" or 8" heating element depending on the size of the pan
- Warming Zone - Provides low heat capability for foods, making meal coordination simple
- Big Hearth Window - Features an enhanced shape to add an elegant appearance and make viewing trouble-free
- QuickSet IV Oven Controls - Feature an easy to use design which allows you to set precise cooking temperatures
- Model JB650DNBB - Black on black
- Model JB650DNWW - White on white



imagination at work