

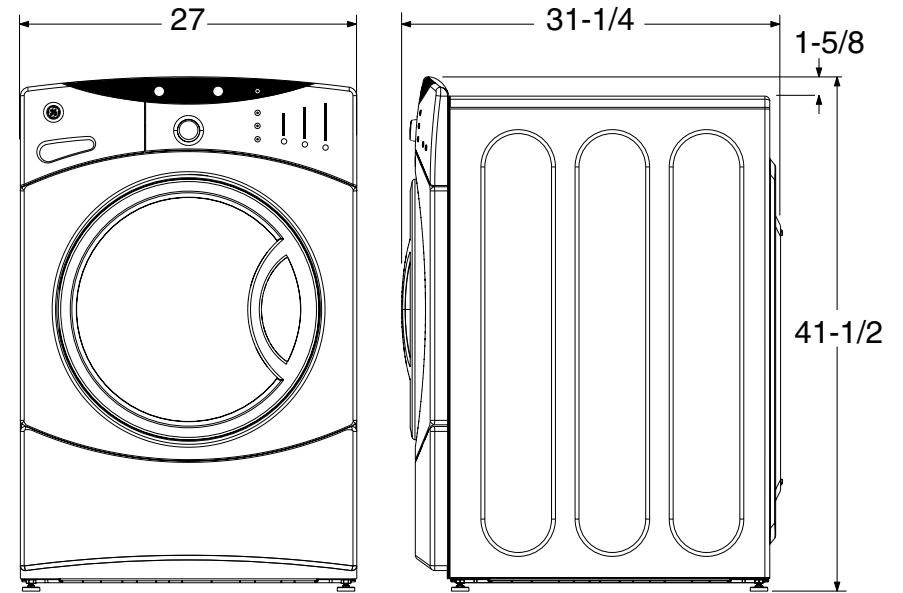
WCVH6800J

GE® ENERGY STAR® 4.0 IEC Cu. Ft. King-Size Capacity Frontload Washer with Stainless Steel Basket

Dimensions and Installation Information (in inches)

Electric Dryer Rating	
120V	12.0A, 60Hz

Installation Information: For complete information, see installation instructions packed with your washer.



For answers to your Monogram®, GE Profile™ or GE® appliance questions, visit our website at ge.com or call GE Answer Center® service, 800.626.2000.



WCVH6800J

GE® ENERGY STAR® 4.0 IEC Cu. Ft. King-Size Capacity Frontload Washer with Stainless Steel Basket

Alcove or Closet Installation:

- If your dryer is approved for installation in an alcove or closet, it will be stated on a label on the dryer back.
- The dryer MUST be exhausted to the outside.
- Minimum clearances between dryer cabinet and adjacent walls or other surfaces are: 0" either side, 3" front and rear
- Minimum vertical space from floor to overhead cabinets, ceilings, etc. is 52".
- Closet doors must be louvered or otherwise ventilated and must contain a minimum of 60 sq. in. of open area equally distributed. If this closet contains both a washer and a dryer, doors must contain a minimum of 120 sq. in. of open area equally distributed.
- No other fuel-burning appliance shall be installed in the same closet with a gas dryer.

Bathroom or Bedroom Installation:

- The dryer MUST be exhausted to the outdoors.
- The installation must conform with the local codes, or in the absence of local codes, with the National Fuel Gas Code, ANSI Z223.

Minimum Clearance other than Alcove or Closet Installations:

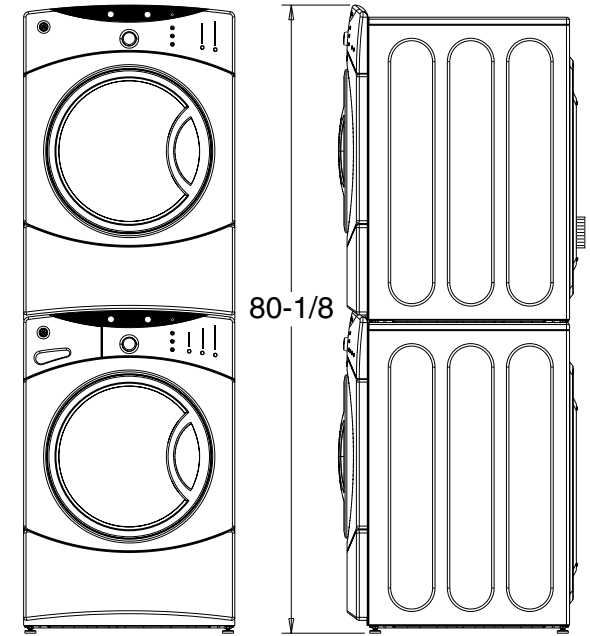
- Minimum clearances to combustible surfaces 0" both sides, 3" rear.

For more information on venting kits and accessories, please call 1-800-GE-CARES.

For answers to your Monogram®, GE Profile™ or GE® appliance questions, visit our website at ge.com or call GE Answer Center® service, 800.626.2000.



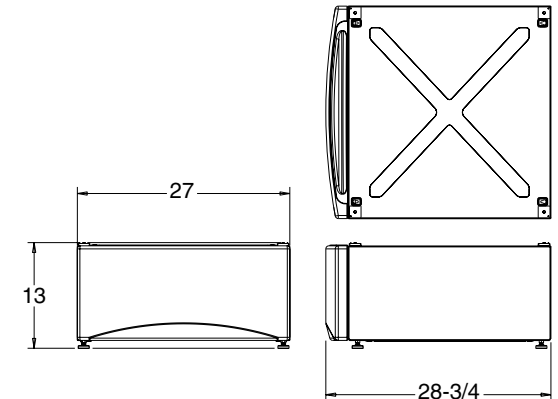
Stacked Dimensions (in inches)



Pedestal Dimensions (in inches)

- SBSD137HBB - black
- SBSD137HGG - granite grey
- SBSD137HMS - metallic silver
- SBSD137HMR - metallic red
- SBSD137HWW - white

This optional 13" pedestal raises the door opening and height of the washer or dryer. Feet on 13" pedestal allow it to adjust to 13-3/8" height.



WCVH6800J

GE® ENERGY STAR® 4.0 IEC Cu. Ft. King-Size Capacity Frontload Washer with Stainless Steel Basket

Features and Benefits

- ENERGY STAR® Qualification - Means less energy waste and lower utility bills
- 4.0 IEC Cu. Ft. King Size - Makes room for more items, like a king-size comforter
- Rotary Electronic Controls with LED and Adaptive Logic - Makes it simple to select and monitor wash cycles
- HydroHeater™ - Increases wash temperature to reduce bacteria and provide better cleaning for the really tough stains
- HydroMotion™ Wash Action - Reversing wash action offers great cleaning performance with gentle wash motion
- PerfectTemp - Regulates wash water temperatures for proper fabric care
- 5 Wash/Rinse Temperatures with Sanitize - Offer a greater degree of control over fabric cleaning and care, with a Sanitize wash temperature option for the toughest stains
- 1100-RPM Spin Speed - Removes more water during spin cycle to minimize drying time
- 26 Wash Cycles - Deliver excellent cleaning results
- Custom Cycles - Saves your favorite wash settings for one-touch recall
- Delay Start (up to 18 hours)
- Deluxe Quiet - Provides near-silent performance with a quiet-engineered motor and components, plus an extra layer of insulation
- Model WCVH6800JBB – Black
- Model WCVH6800JMR – Metallic red
- Model WCVH6800JMS – Metallic silver
- Model WCVH6800JWW – White



imagination at work