

JBS55SM

GE® 30" Free-Standing Electric Range

Dimensions and Installation Information (in inches)

KW Rating	
240V	10.5
208V	7.9
Breaker Size	
40 Amps*	

*Note: Check local codes for required breaker size.

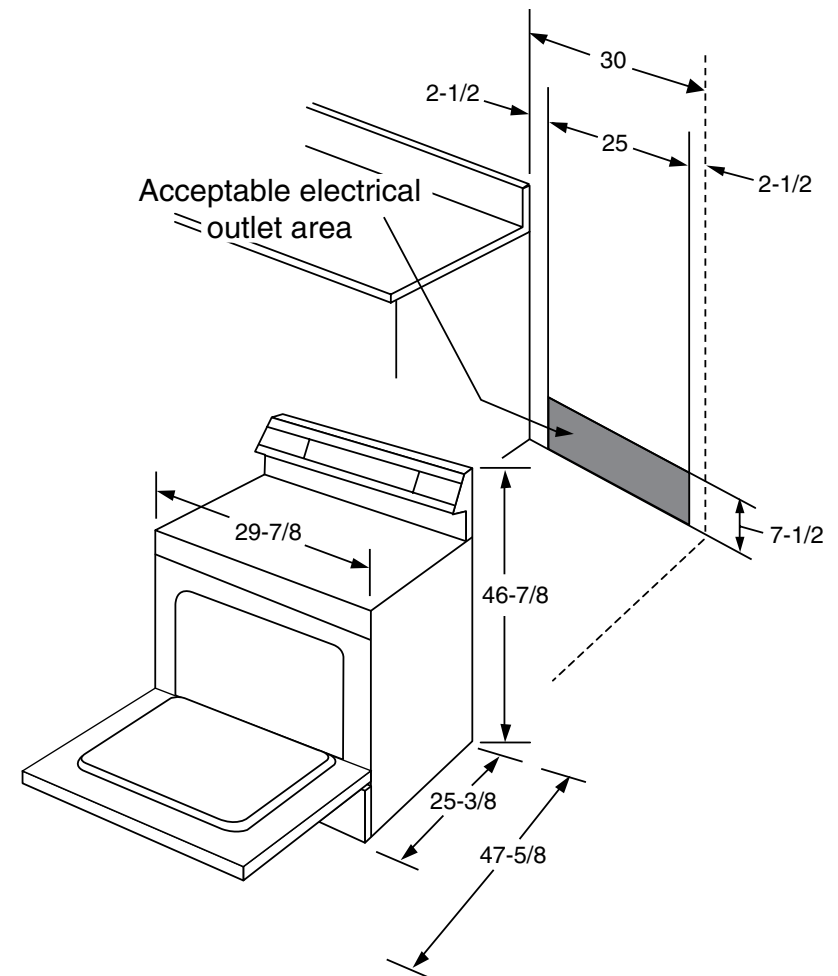
Effective January 1, 1996, the National Electrical Code requires that new construction (not existing) utilize a 4-conductor connection to an electric range.

Receptacle Locations: Locally approved flexible service cord or conduit must be used because terminals are not accessible after range installation. See shaded area in drawing for location of electrical outlet box. Recommended outlet locations allow range to be installed directly against wall.

Note: 30" ranges conform to U.L. requirements for 0" spacing from adjacent walls below countertops. To reduce possibility of scorching walls, engineering recommends a minimum of 1-1/2" spacing to allow for possible extended, high-heat, no-load heating element operation.

Installation information: Before installing, consult installation instructions packed with product for current dimensional data.

For answers to your Monogram®, GE Profile™ or GE® appliance questions, visit our website at ge.com or call GE Answer Center® service, 800.626.2000.



Dimension from wall to front of closed door handle is 27-3/4".



All GE ranges are equipped with an Anti-Tip device. The installation of this device is an important, required step in the installation of the range.



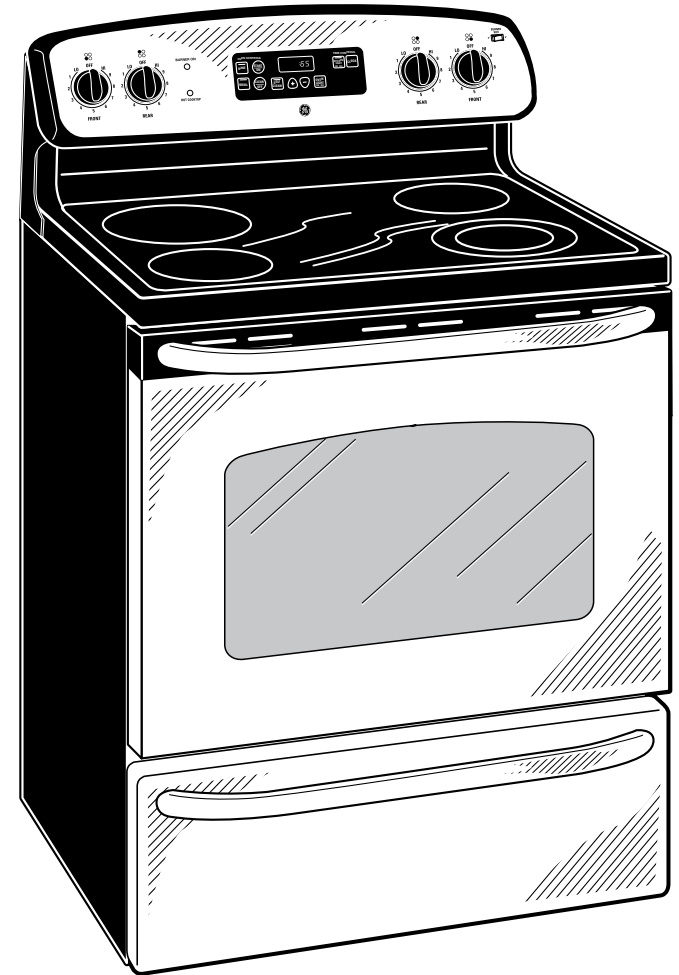
Listed by Underwriters Laboratories

JBS55SM

GE® 30" Free-Standing Electric Range

Features and Benefits

- Standard Clean Oven - Offers a traditional oven design that requires hand cleaning
- Super-Large Oven Capacity - Provides an impressively large oven interior for cooking more dishes and large meals at one time
- QuickSet III Oven Controls - Feature an easy to use design that lets you set precise cooking temperatures
- Ceramic Glass Cooktop - A smooth cooktop surface makes cleaning quick and easy
- Big Hearth Window - Features an enhanced shape to add an elegant appearance and make viewing trouble-free
- Dual Element Bake - Alternates the upper broiling element and the lower baking element for even heating and optimal baking results
- Model JBS55SMSS - Stainless steel



imagination at work