

JBP66DM

GE® 30" Free-Standing QuickClean™ Electric Range

Dimensions and Installation Information (in inches)

KW Rating	
240V	11.9
208V	8.9
Breaker Size	
40 Amps†	

†**Note:** Check local codes for required breaker size.

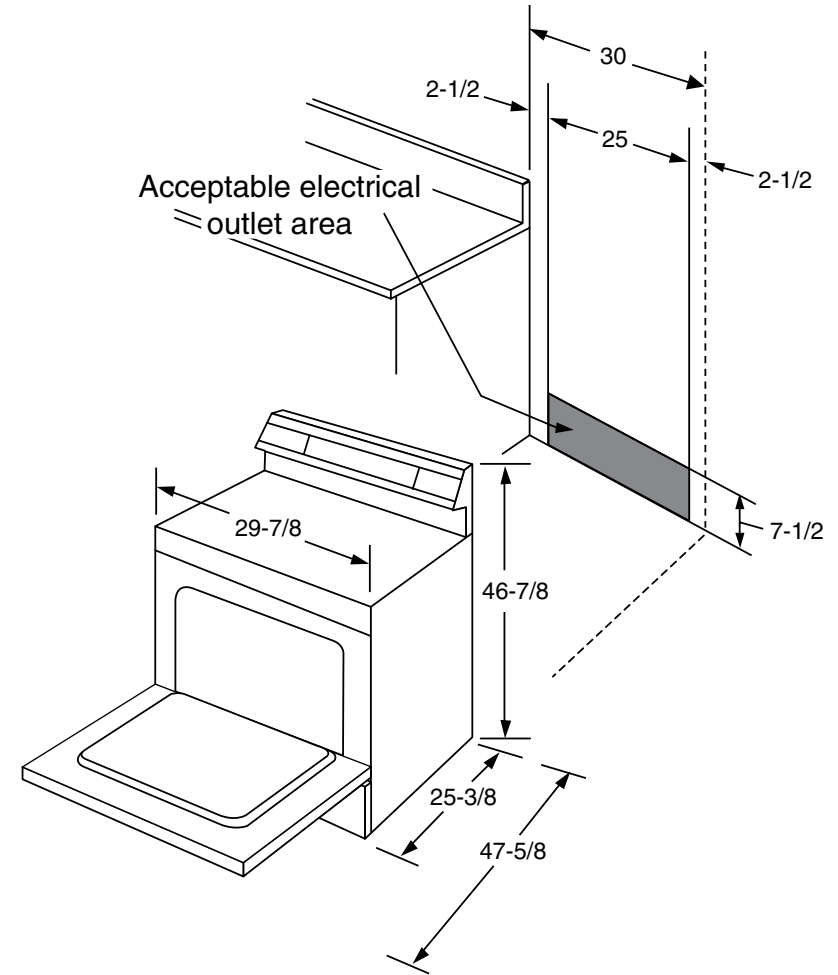
Effective January 1, 1996, the National Electrical Code requires that new construction (not existing) utilize a 4-conductor connection to an electric range.

Receptacle Locations: Locally approved flexible service cord or conduit must be used because terminals are not accessible after range installation. See shaded area in drawing for location of electrical outlet box. Recommended outlet locations allow range to be installed directly against wall.

Note: 30" ranges conform to U.L. requirements for 0" spacing from adjacent walls below countertops. To reduce possibility of scorching walls, engineering recommends a minimum of 1-1/2" spacing to allow for possible extended, high-heat, no-load heating element operation.

Installation information: Before installing, consult installation instructions packed with product for current dimensional data.

For answers to your Monogram®, GE Profile™ or GE® appliance questions, visit our website at ge.com or call GE Answer Center® service, 800.626.2000.



Dimension from wall to front of closed door handle is 27-3/4".



imagination at work



All GE ranges are equipped with an Anti-Tip device. The installation of this device is an important, required step in the installation of the range.



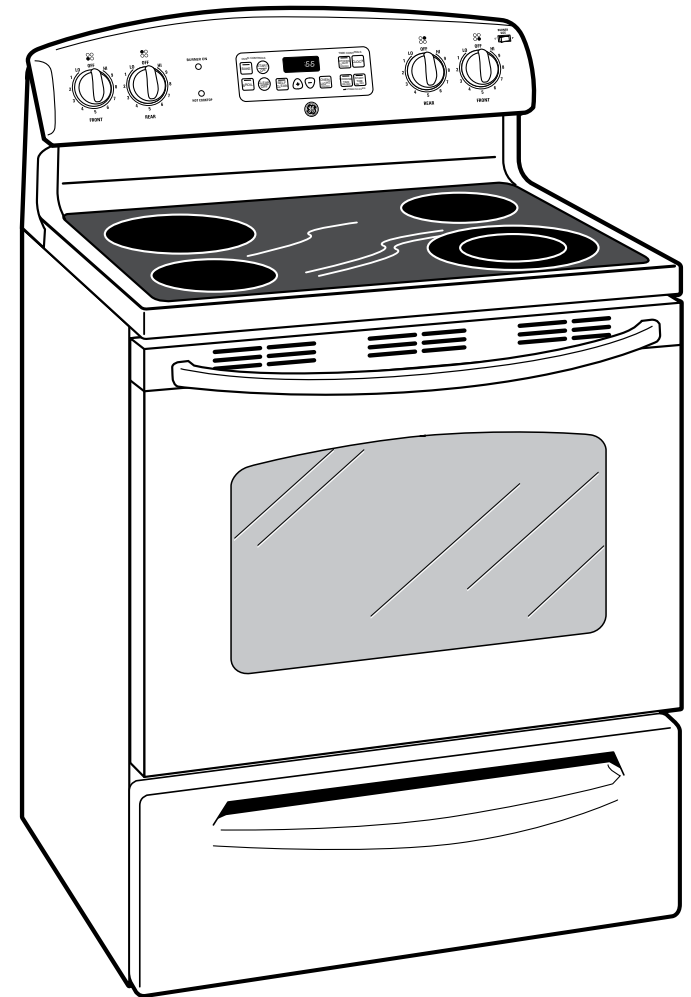
Listed by Underwriters Laboratories

JBP66DM

GE® 30" Free-Standing QuickClean™ Electric Range

Features and Benefits

- Self-Clean Oven - Conveniently cleans the oven cavity without the need for scrubbing
- Super-Large 5.3 Cu. Ft. Oven Capacity - Provides an impressively large oven interior to cook more dishes and large meals at once
- TrueTemp™ System - Delivers even heat distribution and maximum oven control
- 9"/12" Element - Accommodates various-size pots or pans and 3,000 watts of power
- Ceramic Glass Cooktop - A smooth cooktop surface makes cleaning quick and easy
- QuickSet IV Oven Controls - Feature an easy to use design which allows you to set precise cooking temperatures
- Big Hearth Window - Features an enhanced shape to add an elegant appearance and make viewing trouble-free
- Six-Pass Bake Element - The powerful, continuous heating element loops throughout the oven, delivering evenly cooked foods
- Model JBP66DMWW – White on white (white door and white patterned cooktop)
- Model JBP66DMCC – Bisque on bisque (bisque door and bisque patterned cooktop)
- Model JBP66DMBB – Black on black (black door and black patterned cooktop)



imagination at work