

# PP980SM

## GE Profile™ 36" Built-In CleanDesign Electric Cooktop

### Dimensions and Installation Information (in inches)

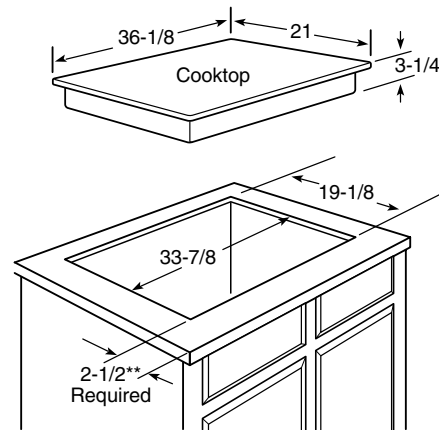
KW Rating	
240V	8.6
208V	6.5
Breaker Size	
240V	40 Amps†
208V	40 Amps†

†**Note:** Check local codes for required breaker size

**Important:** Requires a 5" free area between the bottom of the cooktop to any combustible material, i.e., shelving. Free area not required when installing wall oven underneath cooktop. Refer to installation instructions. Requires a 15" minimum from cooktop to adjacent overhead cabinets. Units are furnished with a 48" flexible armored cable.

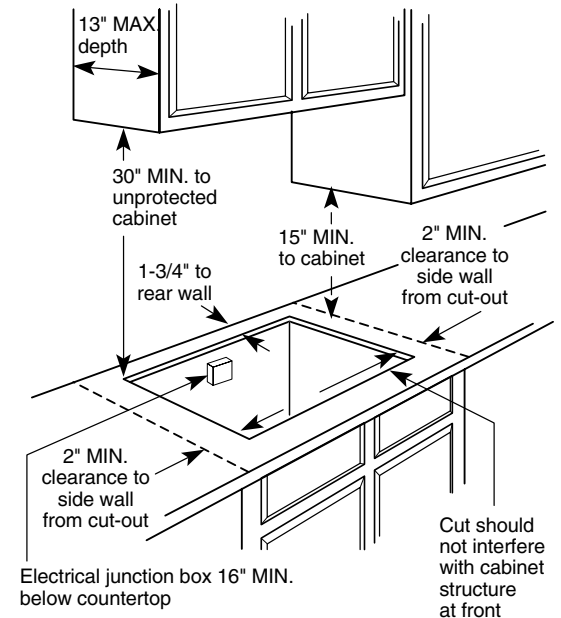
**Note:** 36" Ribbon cooktops are approved for use over GE 30" Single Wall Ovens and Warming Drawers only. Refer to cooktop and wall oven/warming drawer installation instructions packed with product for current dimensional data. If installed with a GE Profile™ Telescopic Downdraft System, consult both the cooktop and downdraft installation instructions packed with product before installing. Cooktop gas/electric supply may need to be re-routed to install downdraft. The countertop must be at least 26" deep with a flat surface area of 23-1/2" or more, front to back. In addition, other clearances to the front edge of the countertop must be considered, especially on raised bullnose countertops. Consult cabinet and countertop manufacturer's specs for flush mount installation prior to install.

**Installation Information:** Before installing, consult installation instructions packed with product for current dimensional data.



\*Depth of unit at conduit connection location (rear) is 6-1/2" on models PP980/950 and 4-5/8" on models PP975/972/962/945/942/932/912, JP655/356/346.

\*\*Raised bull nose countertops may require up to 3/8" additional clearance to prevent interference with curved front.



For answers to your Monogram,® GE Profile™ or GE® appliance questions, visit our website at [ge.com](http://ge.com) or call GE Answer Center® service, 800.626.2000.

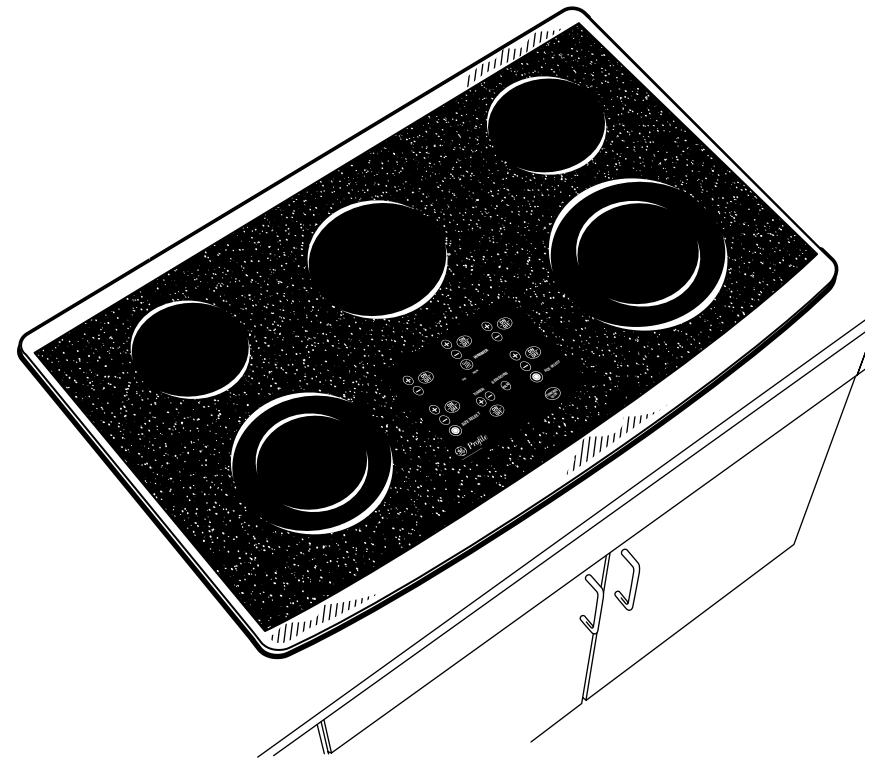


# PP980SM

## GE Profile™ 36" Built-In CleanDesign Electric Cooktop

### Features and Benefits

- Electronic Touch Controls - Offer easy, point-and-cook convenience
- Precise Digital Control System™ - Delivers accurate control on the cooktop, ensuring even heating and less temperature variation
- Pan Presence Sensor - Detects when a burner element is left "on" and automatically shuts it off when not in use
- Pan Size Sensor - Automatically adjusts the heating element to the size of the pan
- Dual Size Ribbon Element - Offers a convenient choice of using a 6" or 9" heating element, depending on the size of the pan
- Warming Zone - Provides low heat capability for foods, making meal coordination simple
- Control Lock Capability - Provides the ability to lock controls, helping protect from unintentional activation
- Electronic Kitchen Timer - Provides convenient notification to help coordinate meal preparation and cooking times
- Model PP980SMSS - Stainless steel



imagination at work