

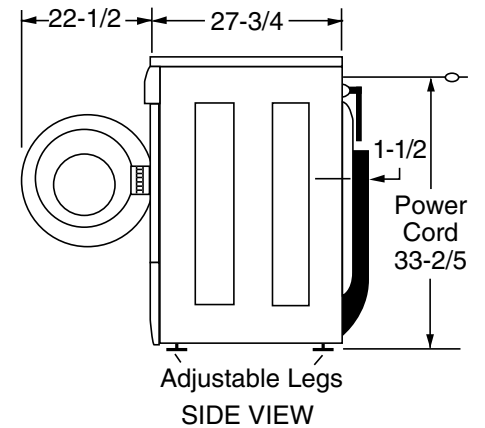
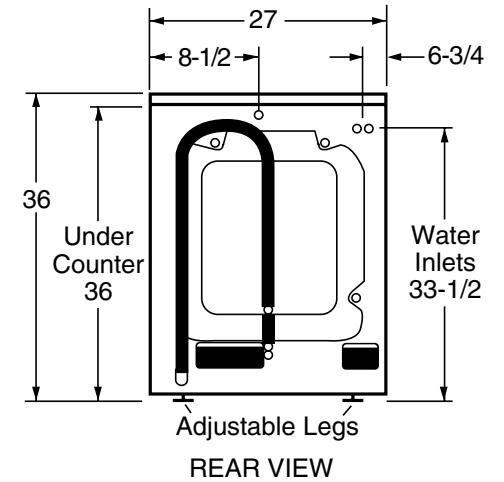
WSSH300G

GE® ENERGYSTAR® 3.5 Cu. Ft. King-Size Capacity Frontload Washer with Stainless Steel Basket

Dimensions and Installation Information (in inches)

Electric Dryer Rating	
120V	12.0A, 60Hz

Installation Information: For complete information, see installation instructions packed with your washer.



For answers to your Monogram®, GE Profile™ or GE® appliance questions, visit our website at ge.com or call GE Answer Center® service, 800.626.2000.



Listed by
Underwriters
Laboratories

WSSH300G

GE® ENERGYSTAR® 3.5 Cu. Ft. King-Size Capacity Frontload Washer with Stainless Steel Basket

Special Installation Requirements:

Stacked Installation:

- Brackets for stacking dryer are included as part of the dryer, DSXH43EF/GF. See dryer Use & Care for details.
- Bracket for stacking dryer, DSXH47EG/GG, order Pub. No. 14-A026 or STACKIT1WW at additional cost.

Undercounter installation:

- The WSSH300G and DSXH47EG/GG require a custom-sized countertop (36 inches to the underside of the countertop). No special washer or dryer top is required.

Alcove or Closet Installation:

- If your dryer is approved for installation in an alcove or closet, it will be stated on a label on the dryer back.
- The dryer MUST be exhausted to the outside.
- Minimum clearances between dryer cabinet and adjacent walls or other surfaces are: 0" either side, 3" front and rear
- Minimum vertical space from floor to overhead cabinets, ceilings, etc. is 52".
- Closet doors must be louvered or otherwise ventilated and must contain a minimum of 60 sq. in. of open area equally distributed. If this closet contains both a washer and a dryer, doors must contain a minimum of 120 sq. in. of open area equally distributed.
- No other fuel-burning appliance shall be installed in the same closet with a gas dryer.

Bathroom or Bedroom Installation:

- The dryer MUST be exhausted to the outdoors.
- The installation must conform with the local codes, or in the absence of local codes, with the National Fuel Gas Code, ANSI Z223.

Minimum Clearance other than Alcove or Closet Installations:

- Minimum clearances to combustible surfaces 0" both sides, 3" rear.

For more information on venting kits and accessories, please call 1-800-GE-CARES.

For answers to your Monogram®, GE Profile™ or GE® appliance questions, visit our website at ge.com or call GE Answer Center® service, 800.626.2000.



imagination at work



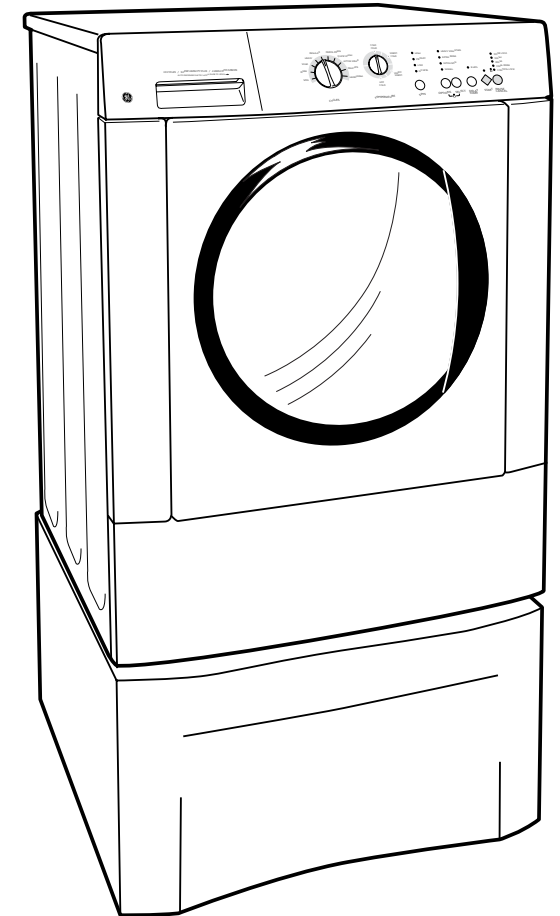
Listed by
Underwriters
Laboratories

WSSH300G

GE® ENERGYSTAR® 3.5 Cu. Ft. King-Size Capacity Frontload Washer with Stainless Steel Basket

Features and Benefits

- ENERGY STAR® Qualification - Means less energy waste and lower utility bills
- King-size, 3.5-cu.-ft. - Stainless steel basket makes room for more items, which means less time doing laundry
- Timed Dispensers - Automatically releases cleaning solution at just the right time, eliminating guesswork
- 950-RPM Spin Speed - Removes more water during the spin cycle to minimize the drying time
- 10 Wash Cycles - A setting for almost every load, from heavy cottons to delicate synthetics
- Automatic Water Levels - Assure that no water is wasted
- End-Of-Cycle Signal - Alerts you when the cycle is done, saving time between loads
- 2nd Rinse Option - Helps protect delicate fabrics and sensitive skin
- Standard Noise Package - Minimizes the operating noise
- Model WSSH300GWW - White on white



imagination at work



Specification Created 12/06

360470