

# JD968SK

## GE Profile™ 30" Drop-In Electric Range

### Dimensions and Installation Information (in inches)

KW Rating	
240V	11.6
208V	8.7
Breaker Size	
240V	40 Amps
208V	40 Amps

**Note:** Cabinets installed adjacent to slide-in ranges must have an adhesion spec of at least 194° temperature rating.

**Note:** To reduce possibility of scorching the side walls above the countertop when no load is present on burners, it is recommended that a minimum of 6" spacing from adjacent side wall be allowed for possible extended, high-heat, element operation.

**IMPORTANT:** 30" DROP-IN RANGES ARE DESIGNED TO HANG FROM THE COUNTERTOP. IT DOES NOT REST ON THE FLOOR. FOR INSTALLATION ALTERNATIVES, REFER TO INSTALLATION INSTRUCTIONS PACKED WITH PRODUCT.

### Optional Kits For Drop-In Electric Ranges (Available At Additional Cost)

#### Accessory Backguards

(Attaches to the back of range as a backguard when unit is installed in 30" free-standing cutout)

JXS32SS (Stainless) - 4" High  
 JXS32WW (White) - 4" High  
 JXS32CC (Bisque) - 4" High  
 JXS32BB (Black) - 4" High

JXS37WW (White) - 5-1/4" High  
 JXS37CC (Bisque) - 5-1/4" High  
 JXS37BB (Black) - 5-1/4" High

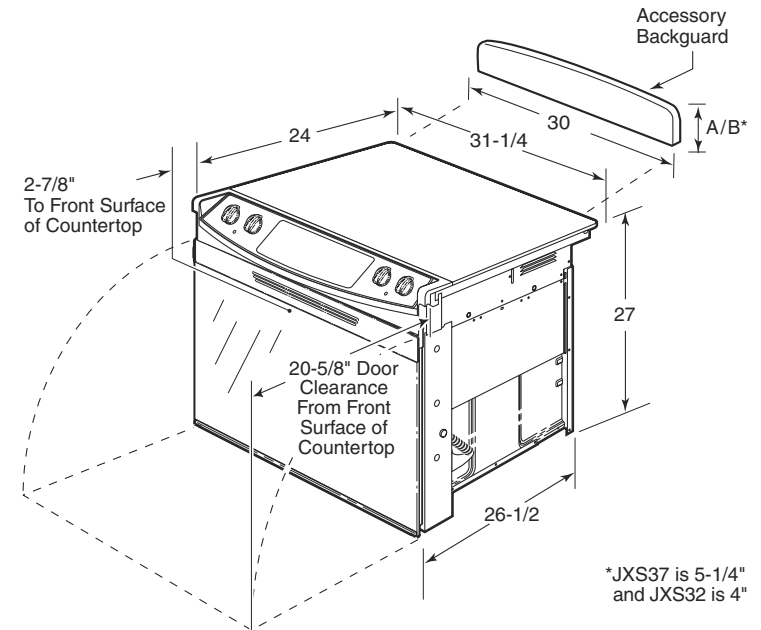
#### Maintop Filler

(Fills gap between cooktop and wall when unit is installed in 30" free-standing cutout)

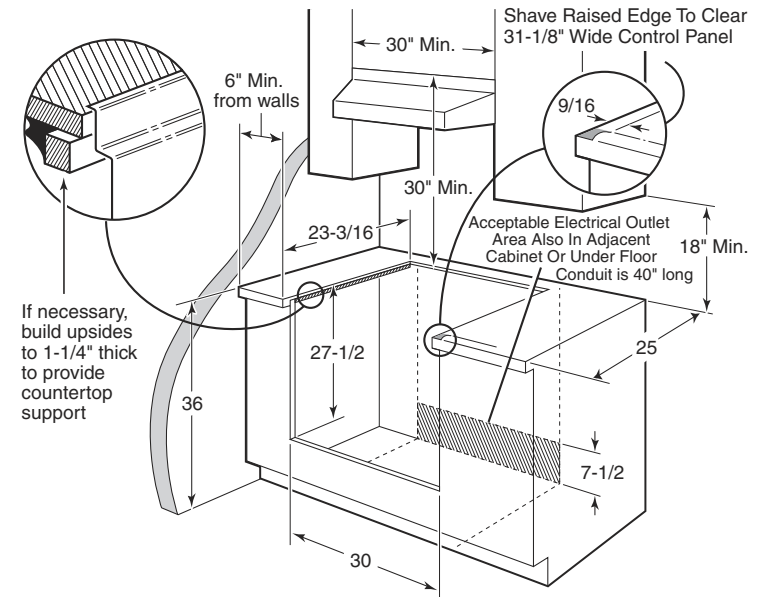
JXS66WW—White  
 JXS66CC—Bisque  
 JXS66BB—Black

**Installation information:** Before installing, consult installation instructions packed with product for current dimensional data.

For answers to your Monogram®, GE Profile™ or GE® appliance questions, visit our website at [ge.com](http://ge.com) or call GE Answer Center® service, 800.626.2000.



\*JXS37 is 5-1/4" and JXS32 is 4"



All GE ranges are equipped with an Anti-Tip device. The installation of this device is an important, required step in the installation of the range.



Listed by Underwriters Laboratories



# JD968SK

## GE Profile™ 30" Drop-In Electric Range

### Features and Benefits

- Precise Air™ Convection System - Delivers even air and heat circulation for superior baking and roasting results
- Convection Bake (Multi-Rack) - Provides ideal convection baking for multiple racks of food, ensuring superb results
- Convection Roast - Provides even cooking and consistent results, roasting meats faster than a traditional oven
- Self-Clean Oven - Conveniently cleans the oven cavity without the need for scrubbing
- 12"/9"/6" Tri-Ring Element - Accommodates various-sized pots or pans for the ultimate in cooking versatility
- Bridge Element - Combines three cooktop elements into one large cooking area, ideal for oversized cooking pans
- Heavy-Duty Die-Cast Knobs - Add durability and brushed chrome for enhanced style and performance
- Warming Zone - Provides low heat capability for foods, making meal coordination simple
- Glass Touch Controls - Features a smooth glass design that is easy-to-operate and easy-to-clean
- Super-Large Oven Capacity - Provides an impressively large oven interior for cooking more dishes and large meals at one time
- Self-Clean Heavy-Duty Oven Racks - Double coated procelain-enameled racks no longer require hand cleaning
- Stainless Sculptured Handle - Provides a sleek and contemporary look that coordinates with other GE Profile appliances
- Model JD968SKSS - Stainless steel



imagination at work