

# PEB7226SF/EH

## GE Profile™ Series 2.2 Cu. Ft. Countertop Microwave Oven

### Dimensions and Installation Information (in inches)

Exterior Dimensions (in inches)	
W x H x D	24-1/8 x 14 x 19-3/4

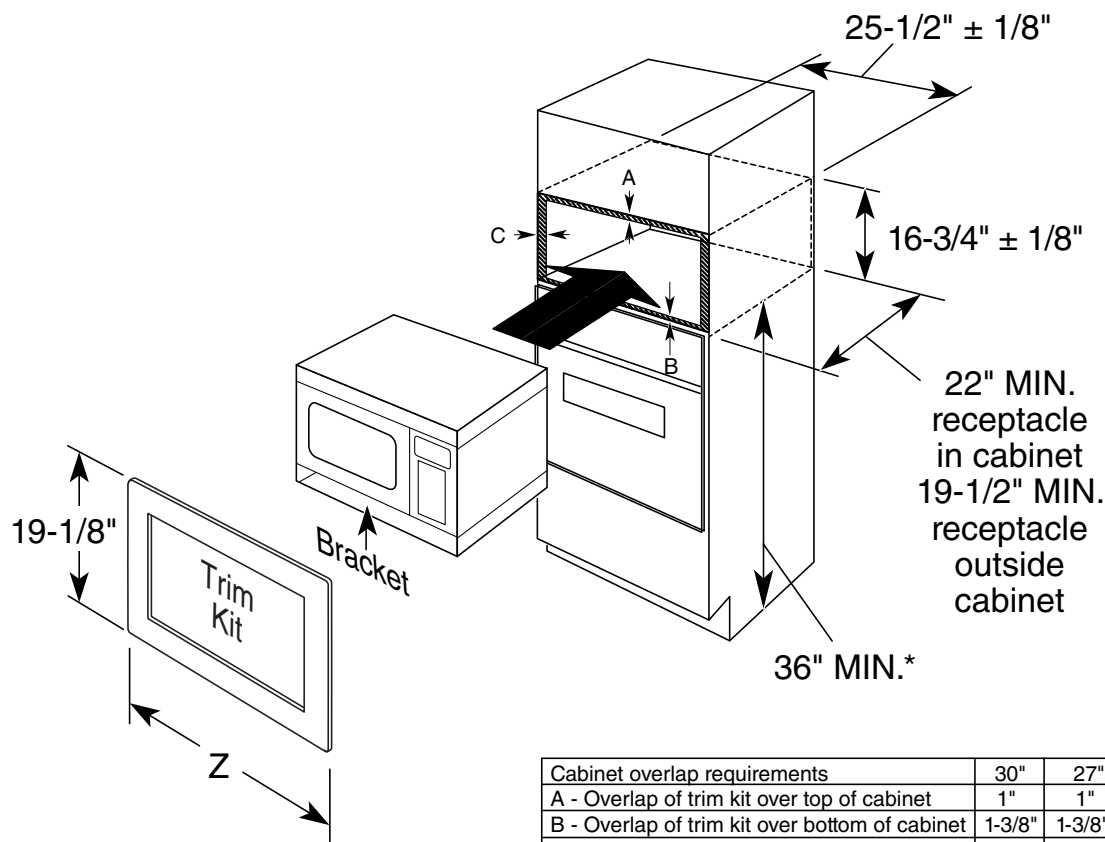
#### Optional Accessory Trim Kits for GE Microwave Ovens (Available at additional cost)

For a custom built-in appearance, these kits allow built-in installation of the countertop microwave oven into a wall or cabinet alone and are U.L. approved for installation over a GE single electric wall oven. These kits should not be installed over a gas wall oven.

Accessory trim kits	"Z"	Max Height	Trim Kits
30" Deluxe	29-3/4"	19-1/8"	JX7230SFSS
27" Deluxe	26-3/4"	19-1/8"	JX7227SFSS

**Note:** 120V, 60-cycle, grounded power receptacle location optional on back within cabinet opening.

**Installation Information:** This information is not intended to be used for installing unit described. Before installing, consult installation instructions packed with product/kit for current dimensional data.



\*For ADA compliance, the microwave must be installed no higher than 36-1/4".

Cabinet overlap requirements	30"	27"
A - Overlap of trim kit over top of cabinet	1"	1"
B - Overlap of trim kit over bottom of cabinet	1-3/8"	1-3/8"
C - Overlap of trim kit over sides of cabinet	2-1/8"	5/8"

**Note:**  
Allow an additional inch of clearance beyond trim frame on all sides



For answers to your Monogram,® Cafe™ Series or Profile™ Series appliance questions, visit our website at [geappliances.com](http://geappliances.com) or call GE Answer Center® service, 800.626.2000.

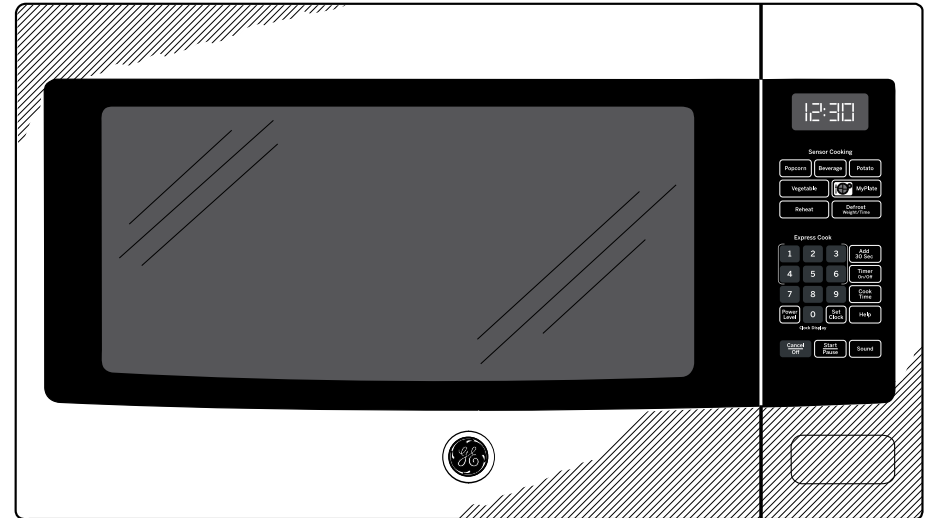


# PEB7226SF/EH

## GE Profile™ Series 2.2 Cu. Ft. Countertop Microwave Oven

### Features and Benefits

- 2.2 cu. ft. capacity - 1100 watts (IEC-705 test procedure)
- Sensor cooking controls - Automatically adjusts time and power
- Optional built-in trim kit - Custom appearance and built-in convenience
- Weight and time defrost - Simply enter the weight of the food, and the oven automatically sets the optimal defrosting time and power level or set your desired time for defrosting
- Extra-large 16" turntable - Rotates food throughout the cycle and accommodates large cookware
- Instant on controls - One-touch instant operation
- Control lockout - Helps prevent accidental activation
- Add 30 seconds - Add 30 seconds of microwave cooking time
- Kitchen timer - Minute timer helps keep you on track
- Model PEB7226SFSS - Stainless steel
- Model PEB7226EHES - Slate



imagination at work



Listed by  
Underwriters  
Laboratories