

# GGF400PV

## GE® 400 Series 30" Free-Standing Gas Range

### DIMENSIONS AND INSTALLATION INFORMATION

Provide adequate clearances between the range and adjacent combustible surfaces. These dimensions must be met for safe use of your range.

Allow 30" (76.2 cm) minimum clearance between burners and bottom of unprotected wood or metal cabinet, or allow a 24" (61 cm) minimum when bottom of wood or metal cabinet is protected by no less than 1/4" (6.4 mm) thick flame-retardant millboard covered with no less than No. 28 MSG sheet metal (.015" [.38 mm] thick), .015" (.38 mm) thick stainless steel, .025" (0.64 mm) aluminum or .020" (0.5 mm) copper.

Installation of a listed microwave oven or cooking appliance over the cooktop shall conform to the installation instructions packed with that appliance.

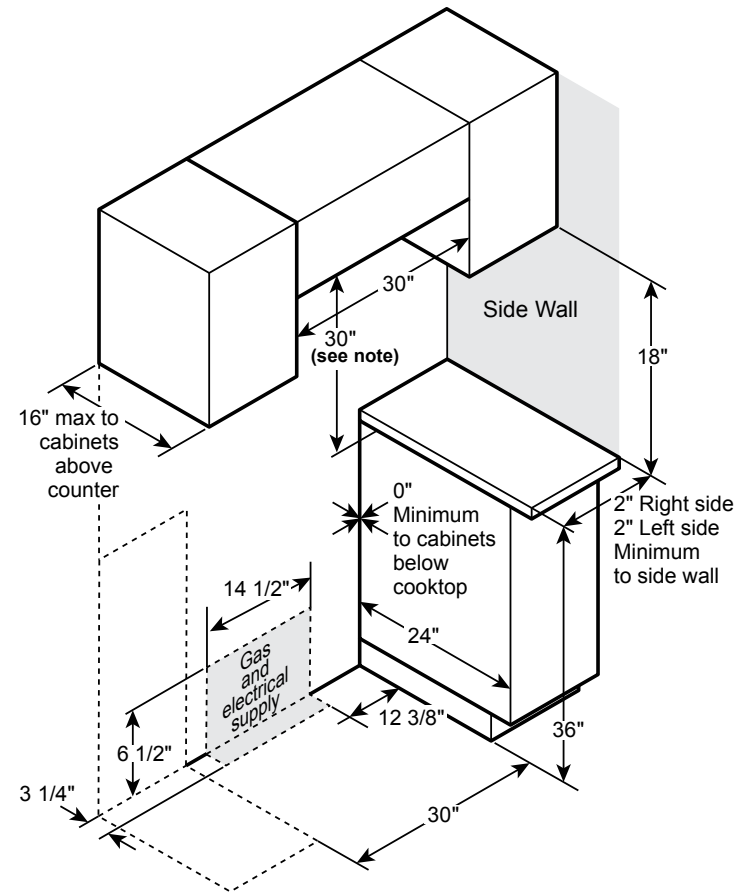
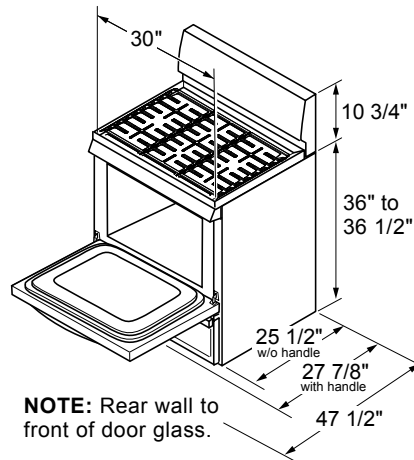
For island installation, maintain 2-1/2" minimum from cutout to back edge of countertop and 3" minimum from cutout to side edges of countertop.

### INSTALLATION INFORMATION:

Before installing, consult installation instructions for current dimensional data and additional requirements.

**ELECTRICAL RATING:** 120V, 60Hz, 15A

**BREAKER SIZE:** 15A



For answers to your Monogram, Café™, GE Profile™ or GE Appliances product questions, visit our website at [geappliances.com](http://geappliances.com) or call GE Answer Center® Service, 800.626.2000.



All GE Appliances ranges are equipped with an Anti-Tip device. The installation of this device is an important, required step in the installation of the range.

Specification Revised 1/24

# GGF400PV

## GE® 400 Series 30" Free-Standing Gas Range

### FEATURES AND BENEFITS

SmartHQ™ Management - Built-in WiFi and the SmartHQ™ Management app extends the life and value of your appliance with proactive oven maintenance tools allowing for tracking management and control from one simple, intuitive dashboard.

4-Burner Gas - Four powerful gas burners make for an efficient cooking experience on this expansive and flexible cooktop.

15,000 BTU Power Boil™ Burner - Boil water faster with a 15,000 BTU Power Boil™ element that delivers high heat for quick boiling.

Precise Simmer Burner - Prepare your delicate dishes over the low, even heat of this precise simmer burner.

Self-Clean with Steam Clean - Save time and effort by using the self-cleaning function for deep-clean situations or enjoy frequent cleanings without the need for kits or extra steps thanks to the steam clean oven function.

Oven Storage Drawer - This model features a removable oven storage drawer that offers the perfect place to store cookware and other kitchen accessories.

Heavy-Duty, Dishwasher-Safe Grates - Enjoy a safe and easy-to-clean solution thanks to these heavy-duty, dishwasher-safe grates.

Large Capacity Oven - Cook an entire meal at once with room to spare in this oven with 5.3 cubic foot capacity.

New Easy-to-Use Controls - Updated and improved controls allow for easy navigation of all cooking options and modes.

Nickel Racks - This gas range with nickel racks provides a durable design that handles heavy baking dishes with ease.

Halogen Oven Light - Easily view your delicious dinner creations inside this oven illuminated with a powerful halogen oven light.

Sabbath Mode - This oven with Sabbath Mode gives users the ability to modify or disable certain features and comply with religious restrictions.

Model GGF400PVWW - White

Model GGF400PVBB - Black

Model GGF400PVSS - Stainless Steel

