

Pro Magnum

a professional performer

PROFESSIONAL

- wall canopy rangehood
- professional styling
- 3 chimney options
- 600 cfm for 30" & 36"
- 1200 cfm for 48"
- 3 halogen lights for 30" & 36"
- 4 halogen lights for 48"
- 3 speed control
- integrated control panel
- stainless steel baffle filters
- convertible to recirculating*
- top or direct rear venting
- built-in mounting system
- sone range: 4.5 - 7.0
- 3 1/4" x 10" duct for 30" & 36"
- 2 - 3 1/4" x 10" ducts for 48"

* it is highly recommended that professional style cooking always be vented to the outside.



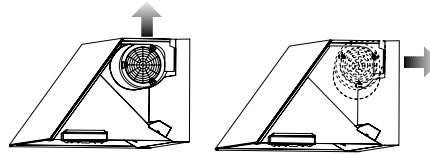
Size/Color/Model

30 Stainless	6059890
36 Stainless	6059891
48 Stainless	6059892

a C c e	30" High Backsplash	
	30" high, mounts to the wall beneath the rangehood for a coordinated look	
	30 X 30 Stainless	62000095
	36 X 30 Stainless	62000097
	48 X 30 Stainless	62000098

S S O	Duct Transition Kit	
	For 48" model only, transitions two 3 1/4" x 10" openings to one 10" round opening	
	Galvanized Steel	6000002

r i e S	Charcoal Filters	6093034
	For recirculating installations, high quality, heavy duty filters ensure the removal of smoke and odors from the kitchen. Some ductwork is required to exhaust the unit out of the cabinet. For 48" model, you must order two of part #6093034, one kit for each motor.	



The Pro Magnum offers a good value in the professional ventilation category. Top or direct rear venting and three chimney options make the Pro Magnum the most versatile and easy to install Pro hood on the market.



Note: The Pro Magnum comes standard WITHOUT A CHIMNEY. A telescopic chimney kit or full width duct cover is available separately.

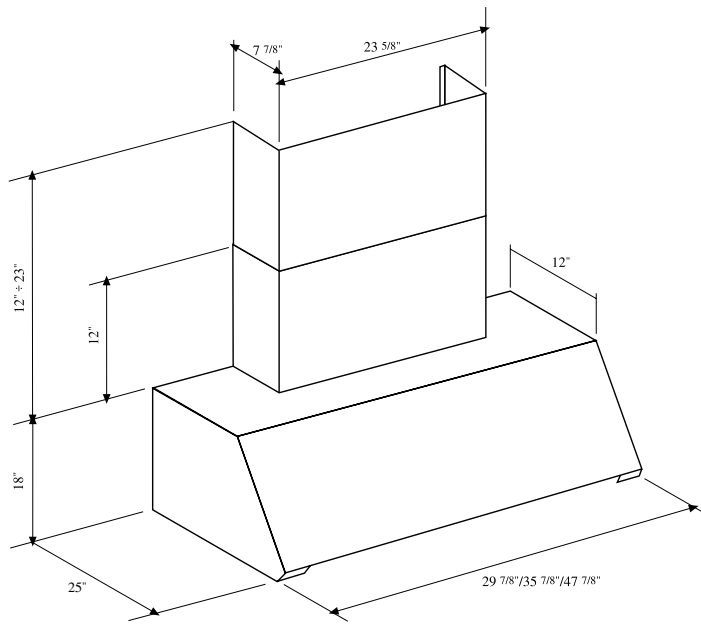


Telescopic Chimney Cover
24" wide, extends to accommodate 8 - 9 foot ceilings
24 Stainless 6097336

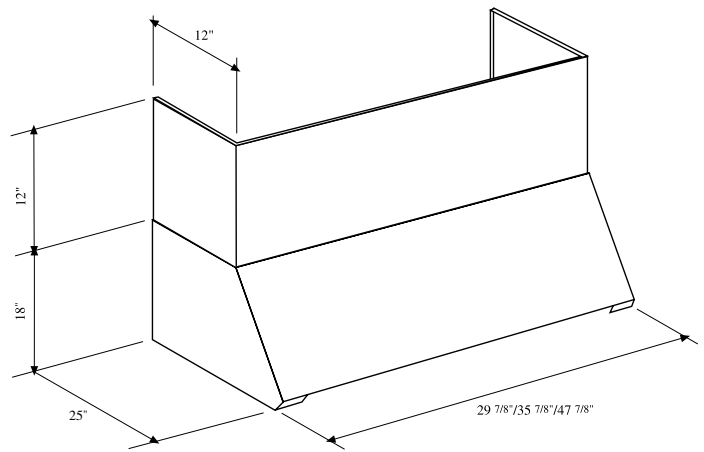


Full Width Duct Cover
12" high, extends full width of the hood
30 Stainless 6097337
36 Stainless 6097338
48 Stainless 6097339

Dimensional Diagrams



WITH TELESCOPIC CHIMNEY KIT

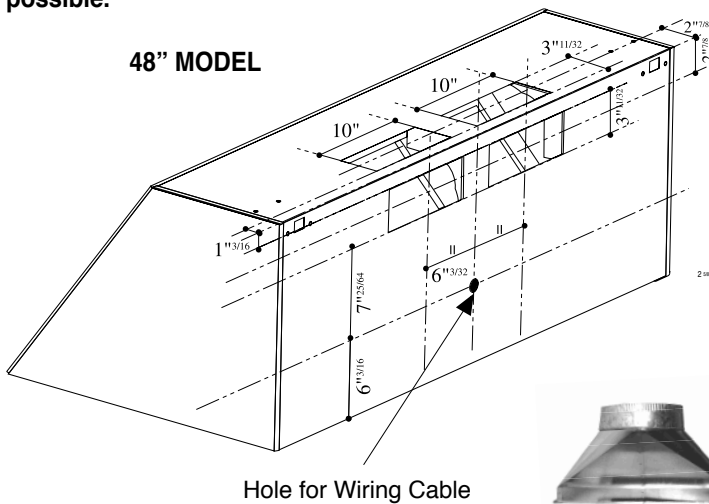


WITH FULL WIDTH DUCT COVER

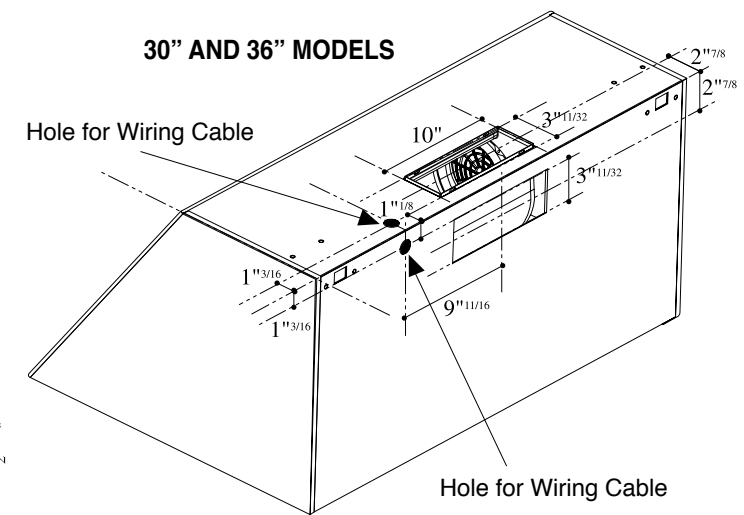
Pre-Planning Your Ductwork - Important: Consult the installation instructions before you begin installing this rangehood.

The Pro Magnum can be vented to the top or directly out the back. Make your ductrun as straight and short as possible. The ductrun should not exceed 35 equivalent feet if ducted with 3 1/4" by 10" rectangular duct or 55 equivalent feet if ducted with 10" round ductwork (when using Duct Transition Kit 6000002 for 48" model only). Count 45° angles as 3 feet, 90° elbows as 5 feet, and 90° flat elbows as 12 feet.

For best results, use no more than three 90° elbows. Make sure that there is a minimum of 24" of straight duct between elbows if more than one is used. **Do not install two elbows together.** If you must elbow right away, do it as far away from the hood's exhaust opening as possible.

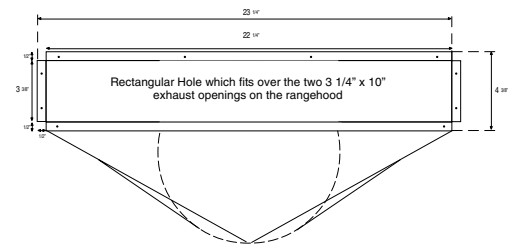
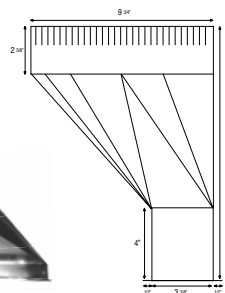


48" MODEL



30" AND 36" MODELS

OPTIONAL DUCT TRANSITION KIT DIMENSIONS (48" MODEL ONLY)



For 48" model, use two 3 1/4" by 10" rectangular duct runs or use the optional **Duct Transition Kit** shown here. This kit cannot be used with the **Telescopic Chimney Cover** because it is too large to fit behind the cover. The **Duct Transition Kit** will fit behind the **Full Width Duct Cover**.

WARNING! Product specifications are subject to change without notification. Consult the installation instructions before you begin installing this rangehood.