

POTENZA

WALL-MOUNT



COMFORT SERIES



Potenza combines curved glass and stainless steel to create a light and airy environment, which is perfect for any contemporary kitchen. The flowing design is either 30" or 36" widths and comes equipped with a powerful 400 CFM blower that can support the cooking demands of most kitchens. Stainless steel push button controls, manage multiple functions, including halogen lighting and 3-speed blower.

Potenza features a telescopic chimney for up to 8'5" ceilings. Designed for standard ducted installation, Potenza can also be installed as a recirculating system using the recirculating kit, available as an accessory.

MODELS

EPT430S1 Potenza 30" Stainless
EPT436S1 Potenza 36" Stainless

DIMENSIONS

(30"W x 19 5/8"D x 1 15/16"H)
(36"W x 19 5/8"D x 1 15/16"H)



Halogen Lamps



Stainless Steel
Push Button Controls

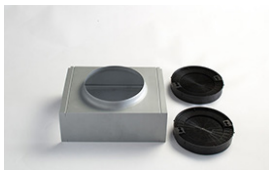


Anodized Aluminum
Mesh Filters

FEATURES

Size (in) & Type Finish	30" or 36" Wide Wall-Mount Chimney Stainless Steel + Clear Glass
Controls	Stainless Steel Push Button
Illumination	2, 40 Watt Halogen Lamps, 1 Light Intensity (bulbs included)
Installation Type	Ducted or Recirculating Installation Recirculating Kit Sold Separately
Blower Type	400 CFM, 3-Speed Internal
Blower Performance	Speed 1, 160 CFM, 1.5 Sones Speed 2, 280 CFM, 3.1 Sones Speed 3, 400 CFM, 5.9 Sones
Filter Type	1, Dishwasher-Safe, Anodized Aluminum Mesh Grease Filter
Telescopic Chimney Extension	For heights 6'9" - 8'5" (ducted) For heights 6'9" - 8'9" (recirculating)
Duct Transition	6" Round with Back Draft Damper (top)
Electrical	120V-60Hz 300 Watts at 2.5 Amps
Warranty	2 Year Parts & Labor, In-Home Service

ACCESSORIES



Optional Recirculating Kit for 30" and 36" unit

CODE: KIT02721
MODEL: KIT02721



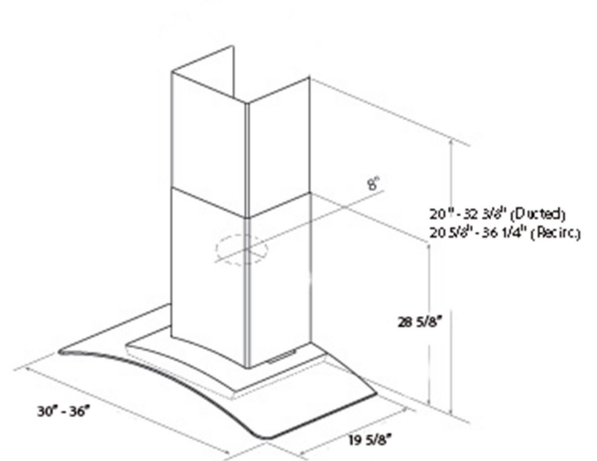
Optional Long Chimney Extension Kit
Reaches 7'6" - 10'0" (ducted)
Reaches 7'6" - 10'4" (recirculating)

CODE: KIT01609/1
MODEL: KIT01609/1

Optional CFM Reduction Kit
Achieves <300 CFM

CODE: KIT02748
MODEL: EXXCRKR8

LINE DRAWING



CONSUMABLE PARTS

Replacement Grease Filter (1)
CODE: GRI0009219A

Replacement Carbon Filter (1)
CODE: KIT02667

Replacement Light Bulb (1)
CODE: 2006CL

Consumable parts are sold in units of one (1). Order accordingly.