

PM500SS POWER PACK



Shown with custom liner

3-Speed Push-button Control



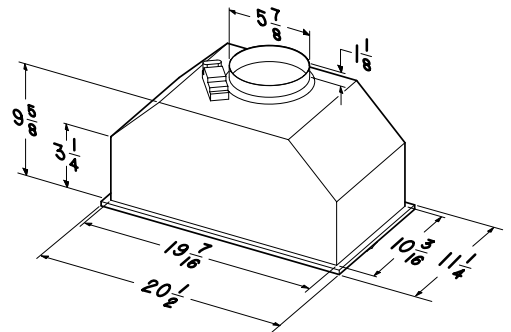
Bright Halogen Lighting



Build efficient power and lighting into any custom hood design

The PM500SS delivers the features you expect and the power you need. Broan's high performance centrifugal blower delivers 500 CFM in a compact size. With our LT and LB Series liners, you achieve a custom installed appearance while protecting your cabinetry. Serious cooks will appreciate the full surface coverage of the halogen lighting, as well as three-speed push-button controls that ensure proper ventilation. Smooth surfaces clean easily and quick-release filters can go in the dishwasher.

- 500 CFM, 9.0 sones, HVI Certified
- Three-speed, push-button control includes a dedicated on/off
- Dual halogen bulbs with single light level for bright cooktop lighting (Type JC, 12V, 20W, G4 base), included
- 6" round duct
- Easy-to-clean, fully enclosed bottom with dishwasher-safe, aluminum-mesh filters
- Optional non-duct operation using 359NDK non-duct kit and charcoal filter, sold separately
- Works with optional Universal Make-up Air Dampers
- Works with optional LT and LB liners



Same cut-out dimensions as PM250 and PM390



SPECIFICATIONS

Width	Model	Finish	Volts	Amps	Sones	CFM	Duct
20-1/2"	PM500SS	Stainless Steel	120	2.8	9.0	500	6" round

OPTIONAL ACCESSORIES

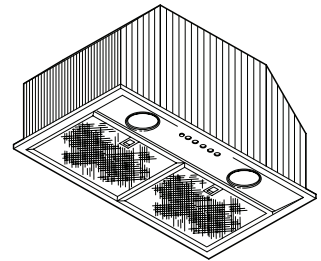
Non-Duct Kit	Non-Duct Charcoal Filter	Aluminum Filter	Halogen Bulb	Make-Up Air Dampers	Fresh Air Inlets	30" Liners	36" Liners
359NDK	99010374	B08087039	Type JC 12V 20W G4	MD6TU, MD8TU, MD10TU	641FA, 643FA, 610FA	LT30 or LB30	LT36 or LB36

Broan.com

Broan-NuTone LLC
926 W. State Street
Hartford, WI 53027
In U.S.A. 800-558-1711, In Canada 877-896-1119



MODEL PM500SS POWER PACK



FEATURES

- Durable, 430 stainless steel with #4 brushed finish
- Non-exposed housing made with electro-galvanized steel
- Multi speed control
- Centrifugal blower, 500 CFM, 9.0 Sones
- 6" round duct connector/backdraft damper
- Accepts two halogen lamps, Type JC 12V 20W G4 Base (lamps included)
- Two washable aluminum mesh filters with quick-release latches
- Fully enclosed bottom
- One Year Limited Warranty
- Recommended for use with Models LB30, LB36, LT30, and LT36 Liners

OPTIONAL ACCESSORIES:

- Disposable charcoal filter kit (part no. 99010374)
- Non-duct kit (Model 359NDK)
- Universal make-up air damper (Models MD6TU, MD8TU, MD10TU)
- Fresh air inlet - required with universal make-up air damper (Models 641FA, 643FA, 610FA)

SPECIFICATIONS

VOLTS	AMPS	CFM	SONES	DUCT
120	2.8	500	9.0	6-in. round



TYPICAL SPECIFICATION

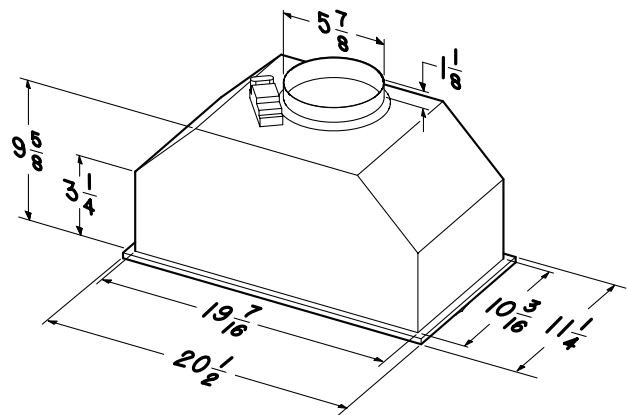
Power Pack shall be Broan® Model PM500SS.

Power Pack shall have a multi-speed fan switch and separate light switch.

Fan must be convertible between ducted and non-ducted discharge. Ducted mode uses a washable aluminum mesh filter. Non-ducted mode uses optional, disposable charcoal filter.

Air delivery to be at least 500 CFM and sound levels not greater than 9.0 Sones.

Unit shall be UL and cUL listed.



HVI-2100 CERTIFIED RATINGS comply with new testing technologies and procedures prescribed by the Home Ventilating Institute, for off-the-shelf products, as they are available to consumers. Product performance is rated at 0.1 in. static pressure, based on tests conducted in a state-of-the-art test laboratory. Sones are a measure of humanly-perceived loudness, based on laboratory measurements.

Broan-NuTone LLC Hartford, Wisconsin www.broan.com 800-558-1711
Broan-NuTone Canada Mississauga, Ontario www.broan.ca 877-896-1119

REFERENCE	QTY.	REMARKS	Project
			Location
			Architect
			Engineer
			Contractor
			Submitted by Date