

Perla

Designer Collection

classic design with contemporary curves

- wall canopy rangehood
- contemporary styling
- 600 cfm - **PRO motor**
- 2 halogen lights
- 3 speed control
- integrated control panel
- dishwasher safe grease filters
- convertible to ductless
- adjustable mounting system
- sone range: 3.5 - 6.5
- 6" round duct



Size/Color/Model

30 Stainless	PERL30SS
36 Stainless	PERL36SS

The Perla's contemporary design will add stylish flair to your kitchen. Corners and edges are rounded for clean design and safety.

High Ceiling Chimney Kit

One 40" upper chimney to replace 20" upper chimney that came with hood

HIGHPERL

Ductless Conversion Kit

Includes: • Lower Chimney with holes for ducting • Ductless Diverter • Vent Grates • Two Charcoal Filters

Stainless DUCTPERL

Replacement Charcoal Filter

FILTER1

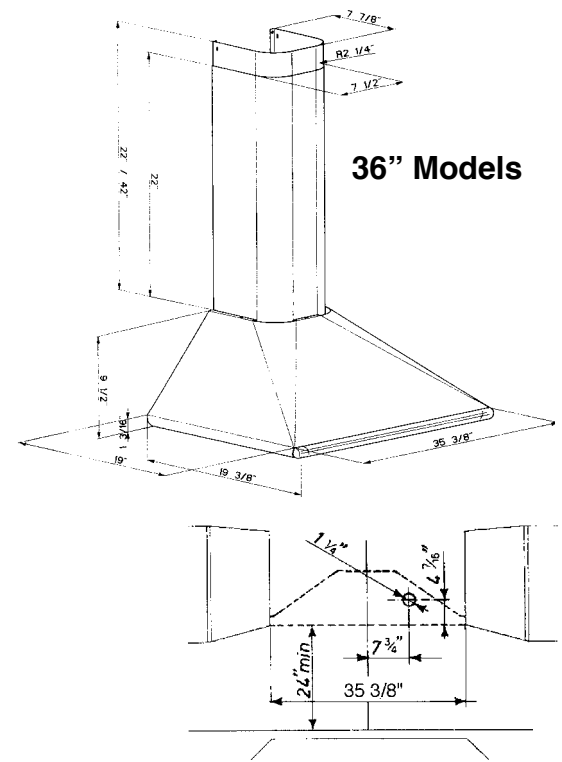
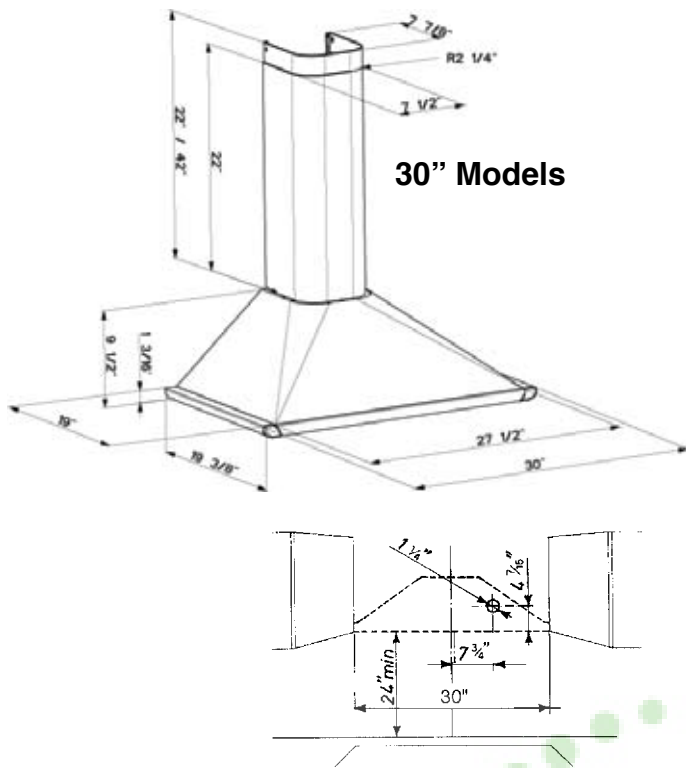


CFM Reducer Kit CFMRED

For use in make up air environments where an under 300 cfm hood is required. This kit reduces the ducting to 5" round and reduces the cfm to under 300

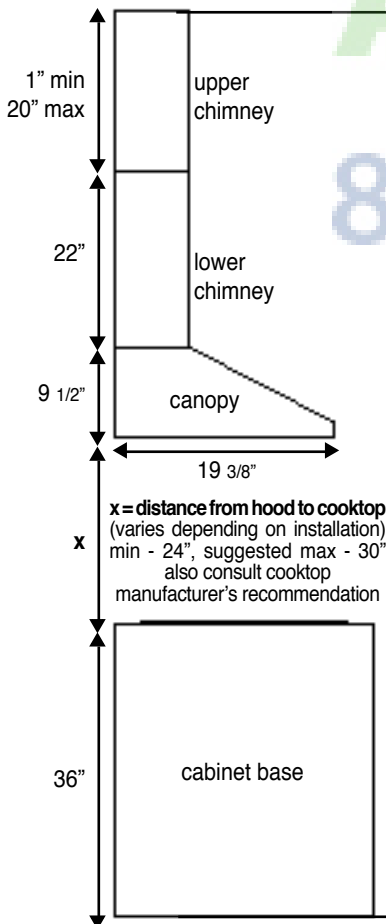


Dimensional Diagrams & Electrical Knockouts



Pre-Planning Your Installation - Important: Consult the installation instructions before you begin installing this rangehood.

Pre-Planning Your Ductwork - Important: Consult the installation instructions before you begin installing this rangehood.



min & max ceiling height examples

x = 24"	x = 26"	x = 28"	x = 30"
min	min	min	min
7' 8 1/2"	7' 10 1/2"	8' 1/2"	8' 2 1/2"
max	max	max	max
9' 3 1/2"	9' 5 1/2"	9' 7 1/2"	9' 9 1/2"

The Perla chimneys are adjustable and designed to meet varying ceiling heights. The chimneys can be adjusted for ceilings between 7' 8 1/2" and 9' 9 1/2" depending on the distance between the bottom of the hood and the cooktop (distance x in left diagram).

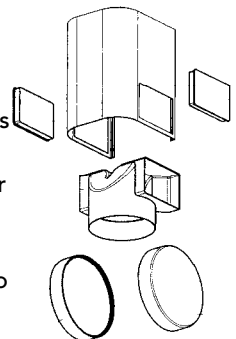
For shorter ceilings, have the chimney cover(s) cut at a sheet metal shop. For higher ceiling installations, the **High Ceiling Chimney Kit** includes a new 40" upper chimney which would replace the 20" upper chimney that came with the hood.

Make your ductrun as straight and short as possible. The ductrun should not exceed 35 equivalent feet if ducted with the required minimum of 6" round ductwork. Count 45° angles as 3 feet, 90° elbows as 5 feet, and 90° flat elbows as 12 feet.

For best results, use no more than three 90° elbows. Make sure that there is a minimum of 24" of straight duct between elbows if more than one is used. Do not install two elbows together. If you must elbow right away, do it as far away from the hood's exhaust opening as possible.

Ductless Installations

For installations where ductwork is impossible or highly impractical, a **Ductless Conversion Kit** is available. Charcoal filters, which attach to the blower assembly, absorb smoke and odors. A ductless diverter directs the air out to a lower chimney with vent grates cut into the sides.



WARNING! Product specifications are subject to change without notification. Consult the installation instructions before you begin installing this rangehood.