

**AGA Marvel**  
**1260 E. VanDeinse St.**  
**Greenville MI 48838**

**Toll free phone: 800-223-3900**  
**Fax: 616-754-9690**  
**www.agamarvel.com**

---

THANK YOU for purchasing this high-quality product. If you should experience a problem not covered in TROUBLESHOOTING, please visit our website at [www.agamarvel.com](http://www.agamarvel.com) for additional information. If you still need assistance, call us at 1-800-223-3900.

You will need your model and serial number, located on the inside wall of the refrigerator compartment.

**Model AMLFDR23C**

**Refrigerator User Instructions**

---

# FINDING INFORMATION AND SAFETY

## Table of Contents

Table of contents .....	2
Safety .....	2
Unpacking your appliance .....	3
Electrical information .....	4
Feature overview .....	5
Product dimensions .....	6
Installation .....	7
Removing the doors .....	11
Connecting the water supply .....	13
Controls .....	14
Ice maker .....	16
Storage features .....	17
Storing food and saving energy .....	21
Normal operating sounds .....	22
Changing water and air filters.....	23
Care and cleaning .....	25
Replacing LED lights .....	27
Solutions to common problems .....	28
Warranty .....	31

## Important Safety Instructions

Warnings and safety instructions appearing in this guide are not meant to cover all possible conditions and situations that may occur. Common sense, caution, and care must be exercised when installing, maintaining, or operating this appliance.

## Recognize Safety Symbols, Words, and Labels.



### WARNING

**WARNING**-You can be killed or seriously injured if you do not follow these instructions.



### CAUTION

**CAUTION**-Hazards or unsafe practices which could result in personal injury or property / product damage.

### NOTE

#### CFC/HCFC DISPOSAL

Your old refrigerator may have a cooling system that used CFCs or HCFCs (chlorofluorocarbons or hydrochlorofluorocarbons). CFCs and HCFCs are believed to harm stratospheric ozone if released to the atmosphere. Other refrigerants may also cause harm to the environment if released to the atmosphere.

If you are throwing away your old refrigerator, make sure the refrigerant is removed for proper disposal by a qualified technician. If you intentionally release refrigerant, you may be subject to fines and imprisonment under provisions of environmental legislation.

### NOTE

**NOTE**-Important information to help assure a problem free installation and operation.

State of California Proposition 65 Warnings:

**WARNING:** This product contains one or more chemicals known to the State of California to cause cancer.

**WARNING:** This product contains one or more chemicals known to the State of California to cause birth defects or other reproductive harm..



### CAUTION

- Do not store or use gasoline or other flammable liquids near this or any other appliance. Read product labels for warnings regarding flammability and other hazards.
- Do not operate the refrigerator in the presence of explosive fumes.
- Avoid contact with any moving parts of the automatic ice maker.

# UNPACKING YOUR APPLIANCE



## WARNING

### EXCESSIVE WEIGHT HAZARD

Use two or more people to move product.  
Failure to do so can result in personal injury.

### Remove Interior Packaging

Your appliance has been packed for shipment with all parts that could be damaged by movement securely fastened. Remove internal packing materials and any tape holding internal components in place. The owners manual is shipped inside the product in a plastic bag along with the warranty registration card, and other accessory items.

### Important

Keep your carton and packaging until your appliance has been thoroughly inspected and found to be in good condition. If there is damage, the packaging will be needed as proof of damage in transit. Afterwards please dispose of all items responsibly.



## CAUTION

Dispose of the plastic bags which can be a suffocation hazard.

### Note to Customer

This merchandise was carefully packed and thoroughly inspected before leaving our plant. Responsibility for its safe delivery was assumed by the retailer upon acceptance of the shipment. Claims for loss or damage sustained in transit must be made to the retailer.

## NOTE

DO NOT RETURN DAMAGED MERCHANDISE TO THE MANUFACTURER - FILE THE CLAIM WITH THE RETAILER.



## CAUTION

If the appliance was shipped, handled, or stored in other than an upright position for any period of time, allow the appliance to sit upright for a period of at least 24 hours before plugging in. This will assure oil returns to the compressor. Plugging the appliance in immediately may cause damage to internal parts.

### Warranty Registration

It is important you send in your warranty registration card immediately after taking delivery of your appliance or you can register online at [www.agamarvel.com](http://www.agamarvel.com).

The following information will be required when registering your appliance.

Model Number

Serial Number

Date of Purchase

Dealer's name and address

Online registration  
available at  
[www.agamarvel.com](http://www.agamarvel.com)

The service number and serial number can be found on the serial plate which is located inside the right side refrigerator cabinet on the right side of the cabinet liner. (See figure 1).



Figure 1



## CAUTION

### Help Prevent Tragedies

Child entrapment and suffocation are not problems of the past. Junked or abandoned refrigerators are still dangerous - even if they sit out for "just a few hours".

If you are getting rid of your old refrigerator, please follow the instructions below to help prevent accidents.

Before you throw away your old refrigerator or freezer:

- Take off the doors or remove the drawers.
- Leave the shelves in place so children may not easily climb inside.

# ELECTRICAL INFORMATION

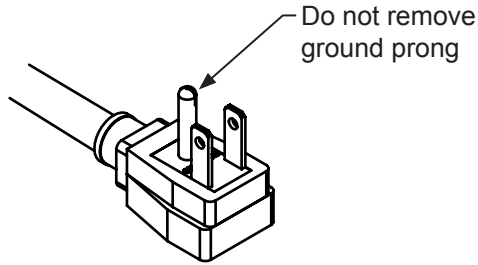


Figure 2

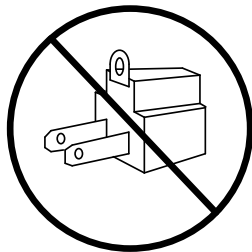


Figure 3

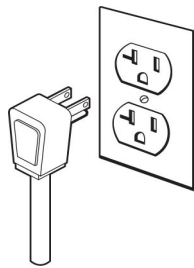


Figure 4  
Grounding type  
wall receptacle

## Electrical information



### WARNING

You must follow these guidelines to ensure that your refrigerator's safety mechanisms are operating correctly.

- The refrigerator must be plugged into its own dedicated 115 Volt, 60 Hz, AC-only non-GFCI electric outlet. The power cord of the appliance is equipped with a three-prong grounding plug for your protection against electrical shock hazards. It must be plugged directly into a properly grounded three-prong receptacle. The receptacle must be installed in accordance with local codes and ordinances. Consult a qualified electrician. **Do not use an extension cord or adapter plug.**
- If the power cord is damaged, it should be replaced by the manufacturer, service technician, or a qualified person.
- Never unplug the refrigerator by pulling on the power cord. Always grip the plug firmly and pull straight out from the receptacle to prevent damaging the power cord.
- To avoid electrical shock, unplug the refrigerator before cleaning and before replacing a light bulb or LED light.
- Performance may be affected if the voltage varies by 10% or more. Operating the refrigerator with insufficient power can damage the compressor. Such damage is not covered under your warranty.
- Do not plug the unit into an outlet controlled by a wall switch or pull cord to prevent the refrigerator from being turned off accidentally.



### CAUTION

To turn off power to your refrigerator, unplug the power cord from the wall outlet.

# FEATURE OVERVIEW

## Understanding features and terms

Your refrigerator is designed for optimal convenience and storage flexibility. The illustration below is provided to assist you with familiarizing yourself with product features and terminology.

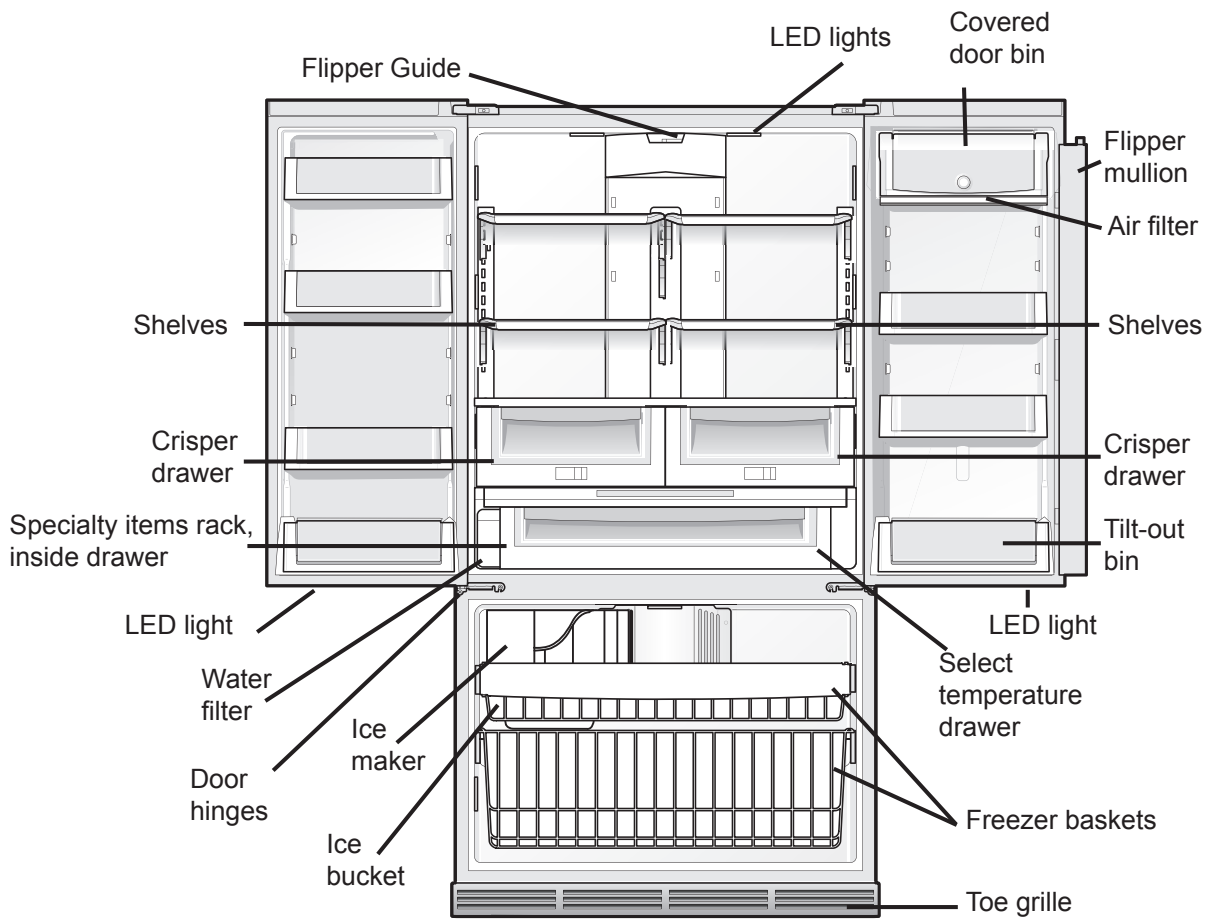
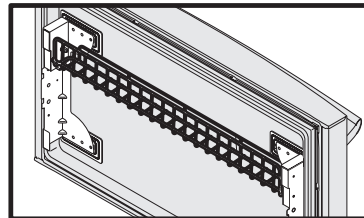


Figure 5

Model is shown without freezer door cover



Wire tilt-out shelf (inside freezer drawer)

# PRODUCT DIMENSIONS

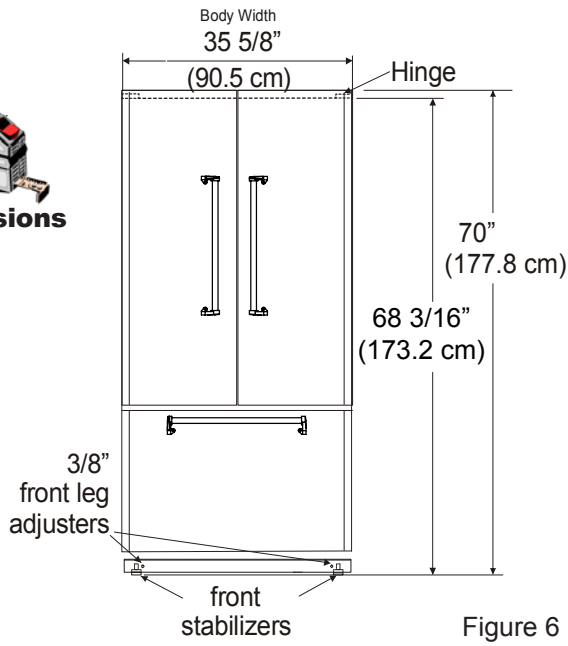


Figure 6

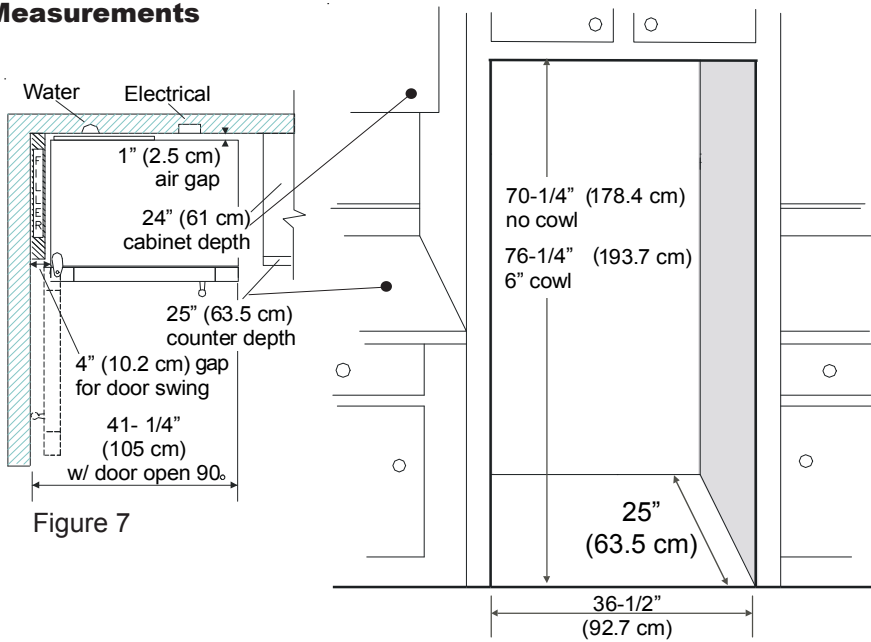
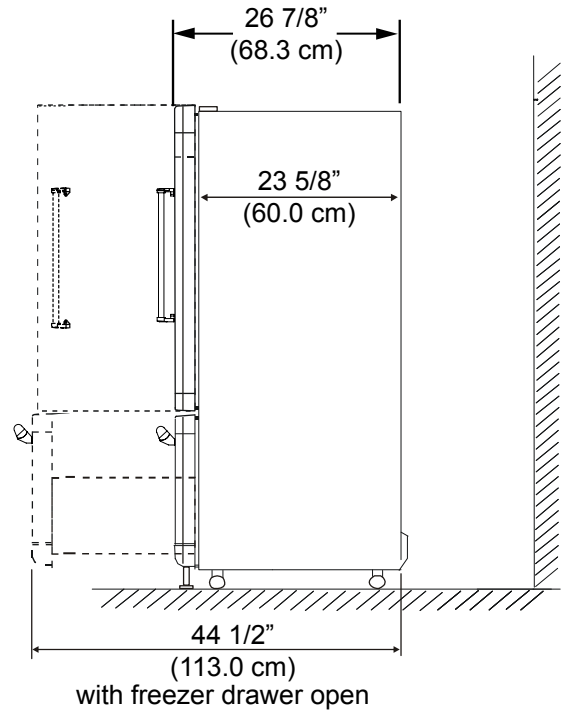


Figure 8

# INSTALLATION

## Required tools

You will need the following tools:

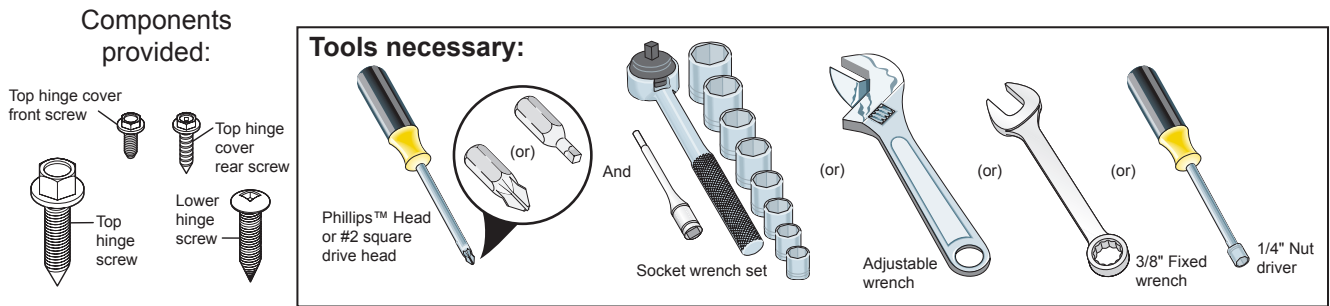


Figure 9

This Use & Care Guide provides general installation and operating instructions for your model. We recommend using a service or kitchen contracting professional to install your refrigerator. Use the refrigerator only as instructed in this Use & Care Guide. **Before starting the refrigerator, follow these important first steps.**

## Location

- Choose a place that is near a grounded, non-GFCI, electrical outlet. Do Not use an extension cord or an adapter plug.
- If possible, place the refrigerator out of direct sunlight and away from the range, dishwasher, or other heat sources.
- The refrigerator must be installed on a floor that is level and strong enough to support a fully loaded refrigerator.
- Consider water supply availability for models equipped with an automatic ice maker.



## CAUTION

DO NOT install the refrigerator where the temperature will drop below 55°F (13°C) or rise above 110°F (43°C). The compressor will not be able to maintain proper temperatures inside the refrigerator.

DO NOT block the toe grille on the lower front of your refrigerator. Sufficient air circulation is essential for the proper operation of your refrigerator.

## Installation

- Allow the following clearances for ease of installation, proper air circulation, and plumbing and electrical connections:

Sides & Top	3/8 inch (9.5 mm)
Back	1 inch (25.4 mm)

## NOTE

If your refrigerator is placed with the door hinge against a wall, you may have to allow additional space so the door can be opened wider.

## Door opening

## NOTE

The refrigerator doors are designed to shut by themselves within a 20 degree opening.

Your refrigerator should be positioned to allow easy access to a counter when removing food. For best use of refrigerator drawers and freezer baskets, the refrigerator should be in a position where both can be fully opened.

## Guidelines for final positioning of your refrigerator

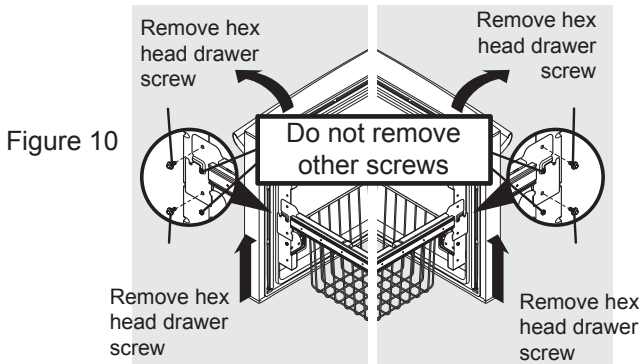
- All four corners of the cabinet must rest firmly on the floor.
- The cabinet should be level at the front and rear.
- The sides should tilt 1/4 inch (6 mm) from front to back (to ensure that doors close and seal properly).
- Doors should align with each other and be level.

**Most of these conditions can be met by raising or lowering the adjustable front rollers.**

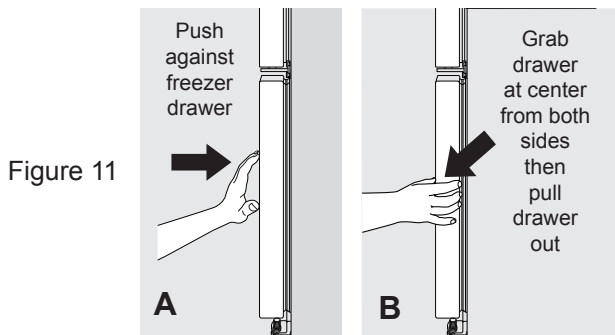
# INSTALLATION

## Leveling Freezer Drawer (if necessary)

1. Check gasket seal around top, bottom, and sides of freezer drawer.
2. If gasket is not sealed, open drawer and slightly loosen four drawer screws (two on each side) to allow drawer to rotate (see illustration).
3. Close drawer and recheck the seal on the gasket (A). Open the drawer grabbing by the sides in the center (B). Be careful not to rotate the drawer.



4. Tighten four drawer screws.
5. Recheck gasket seal.



## Level Refrigerator & Adjust Doors (if necessary)

### Guidelines for final positioning of your refrigerator:

- All four corners of the cabinet must rest firmly on the floor.
- The sides should tilt  $\frac{1}{4}$  inch (6 mm) from front to back (to ensure that doors close and seal properly).
- Doors should align with each other and be level.

**Most of these conditions can be met by raising or lowering the adjustable front rollers.**

### To level the cabinet using the front rollers:

1. Slightly open freezer drawer.
2. Remove the toe grille. See Figure 13.

Figure 13: Remove screws and then gently pull forward.

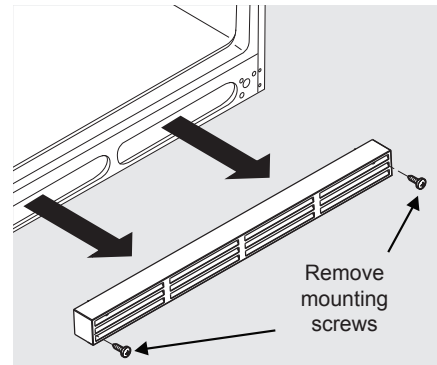


Figure 12

3. You can raise or lower each door. Use a  $\frac{3}{8}$  inch socket wrench to turn the adjustment screws (one per side).
  - To raise:** turn adjustment screw clockwise.
  - To lower:** turn adjustment screw counterclockwise.
4. Ensure both doors are bind-free with their seals touching the cabinet on all four sides and that cabinet is stable.
5. After unit is leveled, lower anti-tip leg until it contacts the floor.

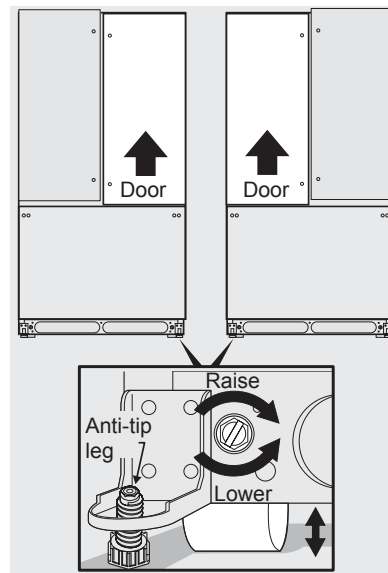


Figure 13

6. Install the toe grille by fitting into place (replacing screws on some models).



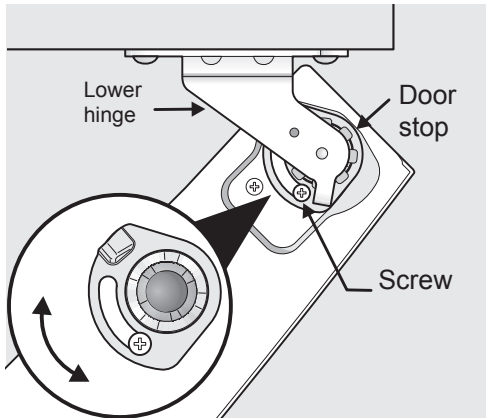
# INSTALLATION

## To adjust the door stop:

Door stop is adjustable between 85 to 145 degrees.

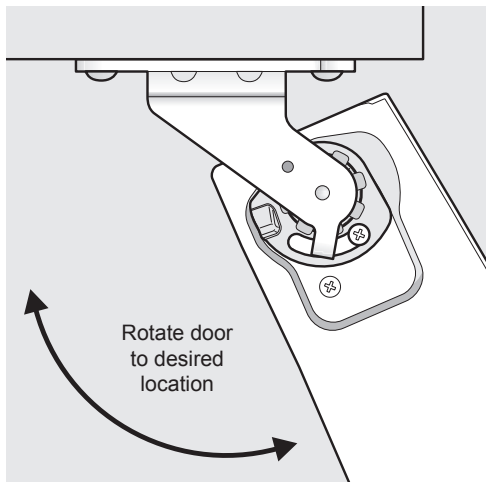
### NOTE

View shown is looking up at the bottom of the refrigerator door.



**Adjustable door stop** Figure 14

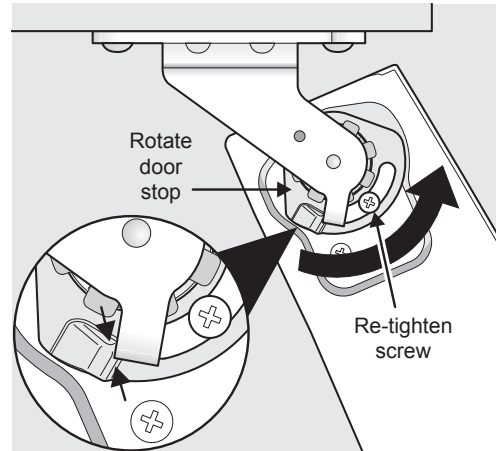
1. Open door to provide access to screw.
2. Loosen screw.
3. Adjust door to desired location.



**Adjusting door** Figure 15

4. Rotate door stop until it makes contact with the lower hinge.

5. Re-tighten screw.



**Re-tighten screw** Figure 16

6. Ensure door stops in desired location before resuming normal use.

# INSTALLATION

## To adjust the flipper mullion:

1. Loosen the screw located on the flipper mullion hinge.

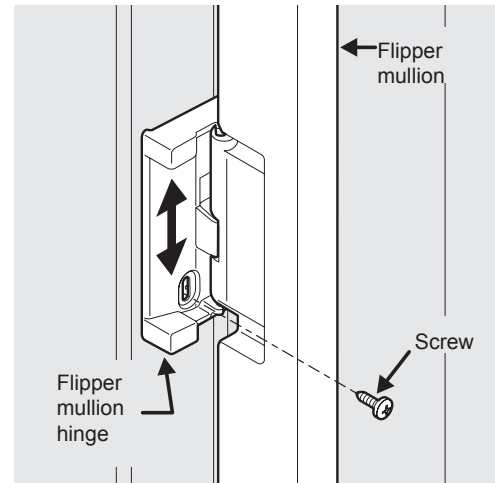


Figure 17

### Adjusting flipper mullion screw

2. Adjust flipper mullion height. For proper connection with the flipper mullion guide, there should be a separation about the thickness of a coin (0.060 inches, or 1.5 mm) between the guide and flipper mullion.

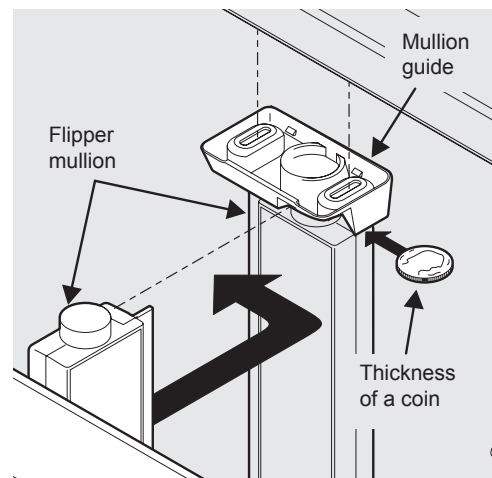


Figure 18

### Adjusting flipper mullion height

3. Re-tighten screw.

# REMOVING THE DOORS

## Getting through narrow spaces

If your refrigerator will not fit through an entrance area, you can remove the doors. Check first by measuring the entrance.

### To prepare for removing the doors:

1. Make sure the electrical power cord is unplugged from the wall outlet.
2. Open the freezer drawer and remove the toe grille (see "Installation" section).
3. Remove any food from the door shelves and close the doors.

### To remove the top hinge covers:

1. Remove the two screws from each cover over the top door hinges.
2. Lift inside edge of hinge cover and tilt back.

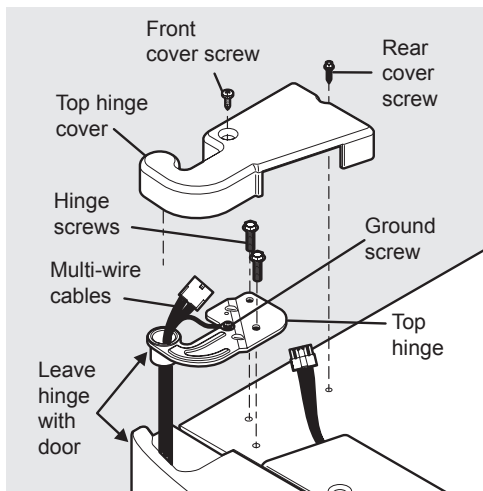


Figure 19

## NOTE

DO NOT remove the ground screw from hinge.

### To remove the refrigerator doors:

1. Trace lightly around the door's top hinges with a pencil. This makes reinstallation easier.

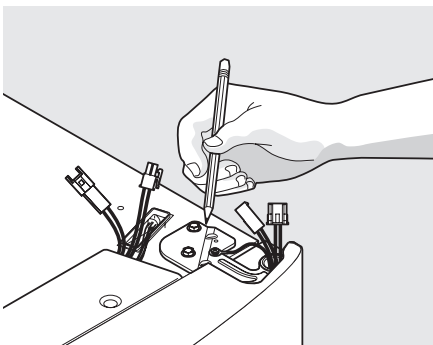


Figure 20

2. Disconnect the harness by grasping both sides of the connector firmly, depress the latch, and pull apart. Remove the two screws from the top hinge. Lift the door off of the bottom hinge and set it aside.

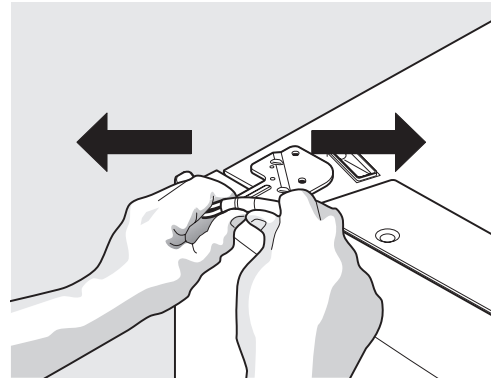


Figure 21

3. Unscrew the three lower hinge screws and hinge if necessary.

To reinstall the right door, reverse the above steps.

### lower hinge removal

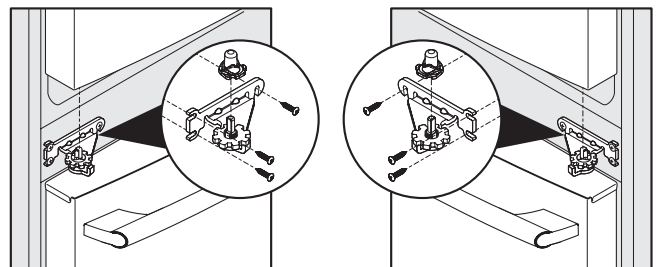


Figure 22

Once both doors are in place, ensure they are aligned with each other and level (please see the "Installation" section for more details), and replace the top hinge cover.

## CAUTION

Be sure doors are set aside in a secure position where they cannot fall and cause personal injury, or damage to the doors or handles.

# REMOVING THE DOORS

## Removing Freezer Drawer

1. Open freezer drawer.
2. Remove drawer screws on right and left sides (two screws on each side).

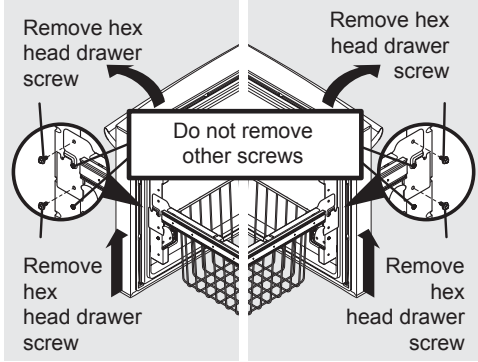


Figure 23



Drawer is heavy. Use caution when lifting.

3. Lift drawer up and out to remove.

## Installing Freezer Drawer

1. With lower slides pulled out, hang drawer onto slide brackets ensuring pins on each side are fully inserted into slots on each side.

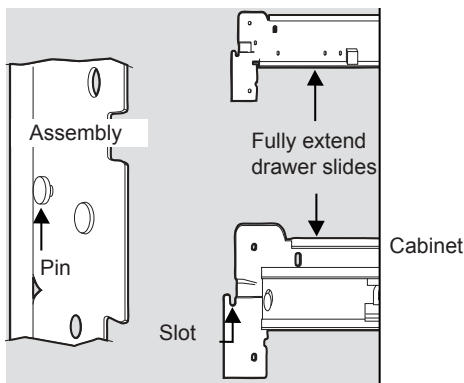


Figure 24

2. Reinstall four drawer screws (two per side), tighten down, and close drawer (C).

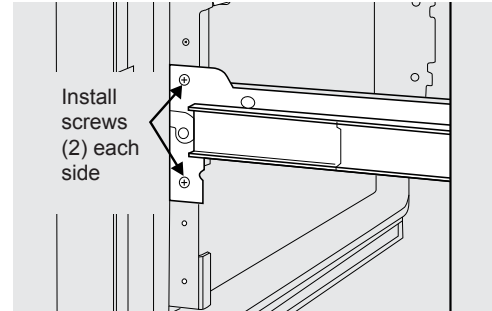


Figure 25

3. Check gasket seal around top, bottom, and sides of freezer drawer.
4. If gasket is not sealed, open drawer and slightly loosen four drawer screws (two on each side) to allow drawer to rotate.
5. Close drawer and recheck the seal on the gasket (A). Open the drawer grabbing by the sides in the center (B). Be careful not to rotate the drawer.

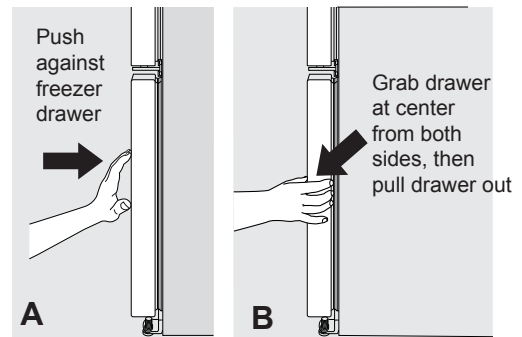


Figure 26

6. Tighten four drawer screws.
7. Recheck gasket seal.
8. Install the toe grille by fitting into place.

## CONNECTING THE WATER SUPPLY

### WARNING

To avoid electric shock, which can cause death or severe personal injury, disconnect the refrigerator from electrical power before connecting a water supply line to the refrigerator.

### CAUTION

#### To Avoid Property Damage:

- Copper or Stainless Steel braided tubing is recommended for the water supply line. Water supply tubing made of ¼ inch plastic is not recommended to be used. Plastic tubing greatly increases the potential for water leaks, and the manufacturer will not be responsible for any damage if plastic tubing is used for the supply line.
- DO NOT install water supply tubing in areas where temperatures fall below freezing.
- Chemicals from a malfunctioning softener can damage the ice maker. If the ice maker is connected to soft water, ensure that the softener is maintained and working properly.

### NOTE

Ensure that your water supply line connections comply with all local plumbing codes.

#### Before Installing The Water Supply Line, You Will Need:

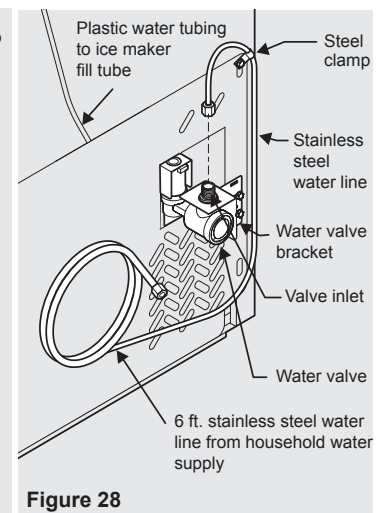
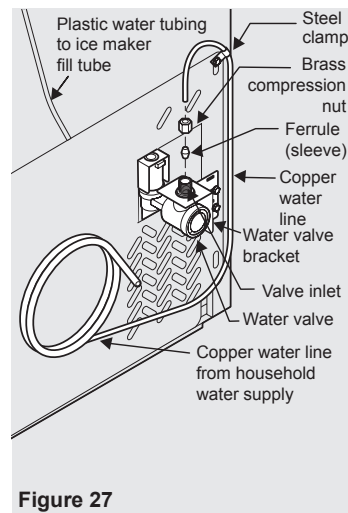
- Basic Tools: adjustable wrench, flat-blade screwdriver, and Phillips™ screwdriver
- Access to a household cold water line with water pressure between 30 and 100 psi.
- A water supply line made of ¼ inch (6.4 mm) OD, copper or stainless steel tubing. To determine the length of tubing needed, measure the distance from the ice maker inlet valve at the back of the refrigerator to your cold water pipe. Then add approximately 7 feet (2.1 meters), so the refrigerator can be moved out for cleaning (as shown).
- A shutoff valve to connect the water supply line to your household water system. DO NOT use a self-piercing type shutoff valve.
- Do not reuse compression fitting or use thread seal tape.
- A compression nut and ferrule (sleeve) for connecting a copper water supply line to the ice maker inlet valve.

### NOTE

Check with your local building authority for recommendations on water lines and associated materials prior to installing your new refrigerator.

#### To Connect Water Supply Line To Ice Maker Inlet Valve

1. Disconnect refrigerator from electric power source.
2. Place end of water supply line into sink or bucket. Turn ON water supply and flush supply line until water is clear. Turn OFF water supply at shutoff valve.
3. Remove plastic cap from water valve inlet and discard cap.
4. **If you use copper tubing** - Slide brass compression nut, then ferrule (sleeve) onto water supply line. Push water supply line into water valve inlet as far as it will go (¼ inch / 6.4 mm). Slide ferrule (sleeve) into valve inlet and finger tighten compression nut onto valve. Tighten another half turn with a wrench; DO NOT over tighten. See Figure 27.  
**If you use stainless steel tubing** - The nut and ferrule are already assembled on the tubing. Slide compression nut onto valve inlet and finger tighten compression nut onto valve. Tighten another half turn with a wrench; **DO NOT** over tighten. See Figure 28.
5. With steel clamp and screw, secure water supply line (copper tubing only) to rear panel of refrigerator as shown.
6. Coil excess water supply line (copper tubing only), about 2½ turns, behind refrigerator as shown and arrange coils so they do not vibrate or wear against any other surface.
7. Turn ON water supply at shutoff valve and tighten any connections that leak.
8. Reconnect refrigerator to electrical power source.
9. To turn ice maker on, lower wire signal arm (freezer ice maker) or set the ice maker's On/Off power switch to the "On" position (fresh food ice maker).



# ELECTRONIC CONTROL

A red indicator light will be illuminated above most active features.

Touch the icon to activate the options below.

- fast freeze** Activates a faster rate for freezing food.
- fast ice** Increases the production of ice
- energy saver** Keep this switch set on energy saver (light on) for lowest energy use. If moisture appears on the cabinet between the doors, pressing this button will turn the light off and enable an electric heater used to reduce moisture on the cabinet between the doors.
- water filter** Press and hold for three seconds to reset after filter change.
- air filter** Filter condition status is always displayed when door is open. Press and hold for three seconds to reset after filter change.
- temp mode** Touch to toggle display from Fahrenheit to Celsius.
- mute sounds** Tones emitted by each key press can be turned off based on user preference. The sounds are muted when the red indicator is lit. Warning signals will stay active.
- default settings** Resets all refrigerator settings such as temp, temp display and tones to their factory default settings.
- on off** Press and hold for three seconds to turn off the cooling system to clean the refrigerator. It also turns off the ice maker. The temperature displays will read OFF.

## NOTE

Pressing the system on/off icon does not turn off power to your refrigerator. You must unplug the power cord from the wall outlet.

### Setting cooling temperatures

Press the + or – indicator to adjust the temperature to the desired setting.

The temperature display will begin to blink with the first touch. The display will time out after 10 seconds and return to the basic display.

### Alarms

**Door Ajar** If the door has been left open for an extended period of time, an alarm will sound and the door ajar indicator will display on the bottom display of the control panel. The alarm is turned off by closing the door. The mute sounds key will blink to prompt the reset of any active alarms. Press this key to reset any system alarms.

**High Temp** In the event of a high temperature condition, the temperature display will blink and display “HI”. After 20 minutes, the alarm will sound and the **high temp** indicator will be red on the bottom of the control panel. The **mute sounds** icon will illuminate until pressed, acknowledging the alarm, at which time the highest temperature reached will be displayed and the refrigerator will resume normal operation. In case the high temp alarm is not acknowledged at the first alarm sound time out, when the door is first opened, the alarm sound will be repeated.

**Power fail** In the event of a power failure, the **power fail** alert will be displayed and the temperature display will blink until the **mute sounds** icon is pressed, acknowledging the alarm. Other modes may be turned off until the alarm is acknowledged. The **power fail** alert is turned off and the refrigerator will resume normal operation. **The high temp alarm may also be illuminated until a safe operating range temperature has been reached.**



Figure 29

# ELECTRONIC CONTROL

## Sabbath mode

The Sabbath Mode is a feature that disables portions of the refrigerator and its controls for, in accordance with observance of the weekly Sabbath and religious holidays within the Orthodox Jewish community.

Sabbath Mode is turned ON and OFF by pressing and holding the freezer temp “-” and the refrigerator temp “+” indicators for five seconds. The display shows “Sb” while in Sabbath mode.

In the Sabbath Mode, the High Temp alarm is active for health reasons. If a high temperature alarm is activated during this time, for example due to a door left ajar, the alarm will sound intermittently for about two minutes. The alarm will then silence on its own and a red high temperature icon will display. The high temp icon will continue to display, even if the door is closed, until the Sabbath mode is exited and the icon reset. The refrigerator will function normally once the door is closed, without any violation of the Sabbath/Holidays.

### NOTE

While in Sabbath Mode, neither the lights nor the control panel will work until Sabbath Mode is deactivated. Refrigerator stays in Sabbath Mode after power failure recovery. It must be deactivated with the buttons on the control panel.

### NOTE

During Sabbath Mode, the ice maker is turned off by main control board.

## Sabbath Mode and the Select Temp Drawer

The Select Temp Drawer should be turned off for the Sabbath/Holidays. Before putting the refrigerator into the Sabbath mode, turn the Select Temp Drawer off by pressing the drawer on/off button. The display will show “OFF” and the drawer will turn off. Then enter the Sabbath mode function on the main refrigerator display. See the electronic control “Sabbath Mode” section. When in Sabbath mode, the display will not illuminate and the drawer will remain off. The drawer can still be used as a non-temp controlled drawer in this mode. When the refrigerator is taken out of Sabbath mode, the Select Temp Drawer will have to be turned back on.

### NOTE

If the Select Temp Drawer is not turned off prior to putting the unit into Sabbath Mode, it will continue to adjust itself to maintain the set point even if the display does not illuminate to show that it is still on.

# AUTOMATIC ICE MAKER

## Ice maker operation & care

After the refrigerator is installed properly, the ice maker can produce ice within 24 hours. It can completely fill an ice bin in about three days.

When using the ice maker for the first time and in order for the ice maker to work properly, it is necessary to clear air from water filter tubing. Once ice maker begins making ice, allow the bucket to fill completely, then discard the first TWO FULL buckets of ice. It will take at least two days to completely fill the bucket on regular ice making mode or 1½ days on fast ice mode.

The ice maker produces approximately four pounds of ice every 24 hours depending on usage conditions.

## NOTE

Your ice maker is turned on at the factory so it can work as soon as you install your refrigerator. If you cannot connect a water supply, lift the ice maker's wire signal arm to turn it off. Otherwise, the ice maker's fill valve may make a loud chattering noise when it attempts to operate without water.

## Turning the ice maker on and off

Ice production is controlled by lifting/lowering the ice maker's wire signal arm. To gain access to the ice maker, pull the freezer drawer out. Lift the **wire signal arm** to turn the ice maker OFF and lower the wire signal arm to turn it ON.

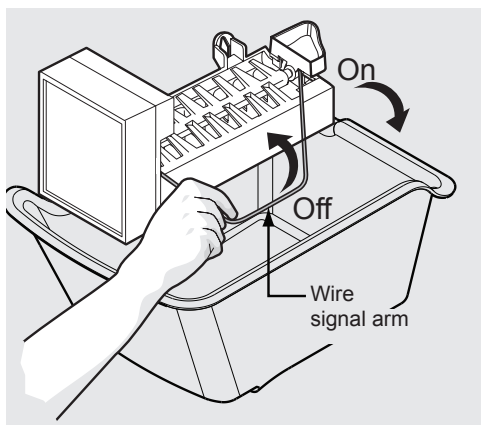


Figure 30

## Ice maker tips

- If your refrigerator is not connected to a water supply or the water supply is turned off, turn off the ice maker by lifting wire signal arm.
- Ice cubes stored too long may develop an odd flavor. Empty the ice bin as explained below.

- The following sounds are normal when the ice maker is operating:
  - Motor running
  - Ice dropping into ice bin
  - Water valve opening or closing
  - Running water

## Fast Ice Function

Your refrigerator is equipped with a Fast Ice Function, that will, if activated at your user interface, allow an increase in ice production. You do not need to deactivate it, if not needed, your refrigerator will operate on normal conditions.

## CAUTION

If the water supply to your refrigerator is softened, be sure the softener is properly maintained. Chemicals from a water softener can damage the ice maker.

## Cleaning the ice maker

Clean the ice maker and ice bin at regular intervals, especially prior to vacation or moving.

1. Turn off the ice maker.
2. Remove the ice bin.
3. Empty and carefully clean the ice bin with mild detergent. Do not use harsh or abrasive cleaners. Rinse with clean water.
4. Allow the ice bin to dry completely before replacing in the freezer.
5. Replace the ice bin. Turn the ice maker on.

Remove and empty the ice bin if:

- An extended power failure (one hour or longer) causes ice cubes in the ice bin to melt and freeze together.

Remove the ice bin and shake to loosen the cubes or clean as explained above.

## CAUTION

**NEVER** use an ice pick or similar sharp instrument to break up the ice. This could damage the ice bin. To loosen stuck ice, use warm water. Before replacing the ice bin, make sure it is completely dry.



# STORAGE FEATURES

## Shelf features



To avoid injury from breakage, handle tempered glass shelves carefully.

Your refrigerator includes glass shelves that are designed to catch and hold accidental spills.

You can easily adjust shelf positions in the fresh food compartments to suit your needs. The shelves have mounting brackets that attach to slotted supports at the rear of each compartment.

### To change the position of a shelf:

1. Before adjusting a shelf, remove all food.
2. Lift the front edge up and pull the shelf out.
3. Replace by inserting the mounting bracket hooks into the desired support slots.
4. Lower the shelf and lock into position.

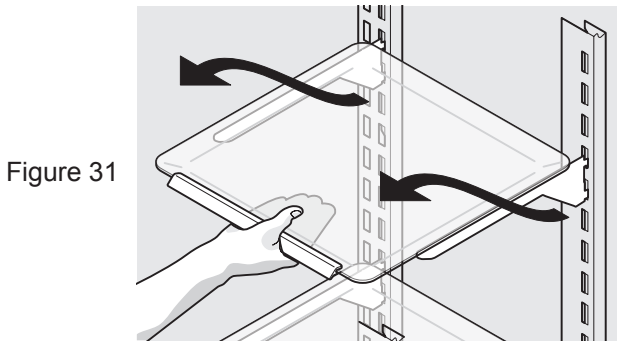


Figure 31

or

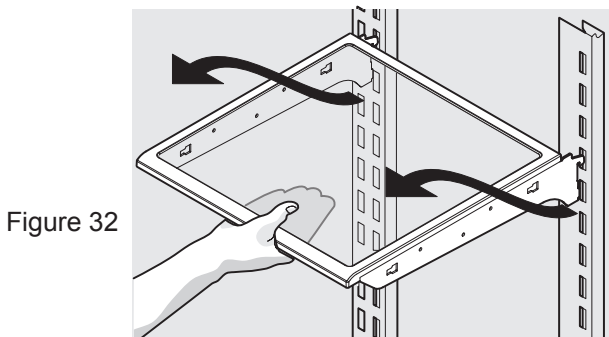


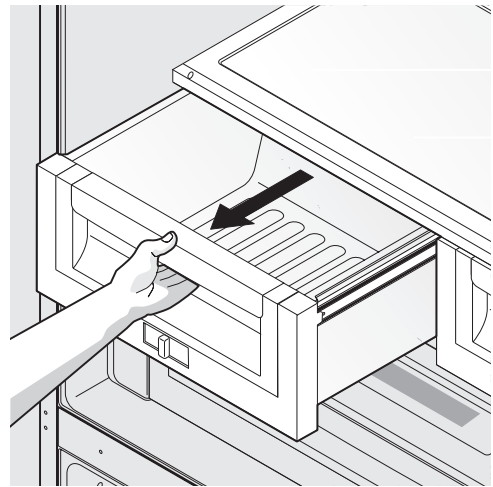
Figure 32

## Drawers

Your refrigerator includes a variety of storage drawers. These drawers are located in fixed positions at the bottom of the fresh food compartment.

## Crispers

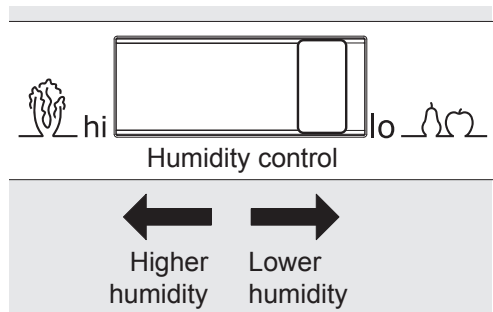
Crisper drawers are designed for storing fruits, vegetables, and other fresh produce.



Opening crisper drawer Figure 33

### Crisper humidity control

Crisper drawers include a sliding control for adjusting the humidity inside the crisper. Leafy vegetables keep best when stored with the Humidity Control set on Higher Humidity. Fresh fruits keep best when stored with the Humidity Control set on Lower Humidity.



Adjusting crisper humidity Figure 34

## STORAGE FEATURES

### To remove the crisper drawer for cleaning:

1. Pull the drawer out until it stops.
2. Lift the front slightly and remove the drawer.

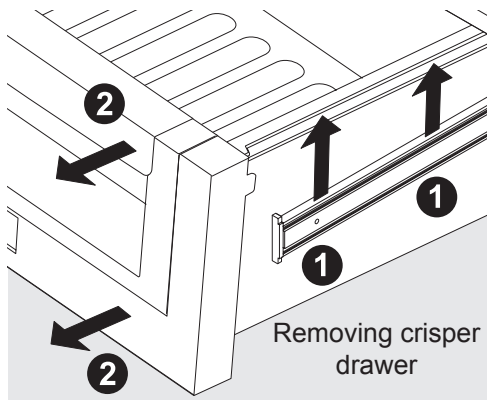


Figure 35

### Cool zone

Some models are equipped with a meat keeper drawer for short-term storage of bulk meat items. This drawer includes sliding controls for adjusting the humidity inside. Any meat to be kept longer than two days should be frozen. If you store fruits or vegetables in this drawer, set it to a higher humidity.

### Special items rack

The innovative design of the special items rack allows you to store 4 bottles of wine or soft drink bottles.

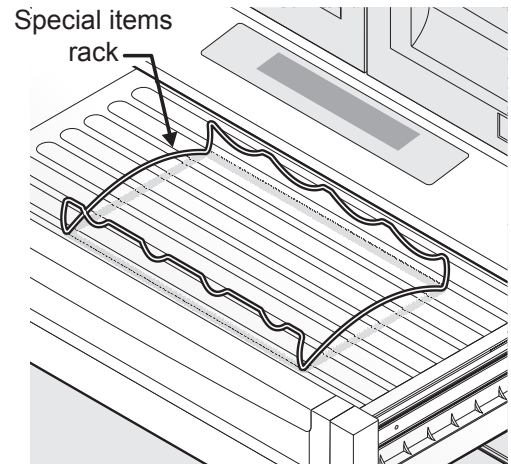


Figure 37

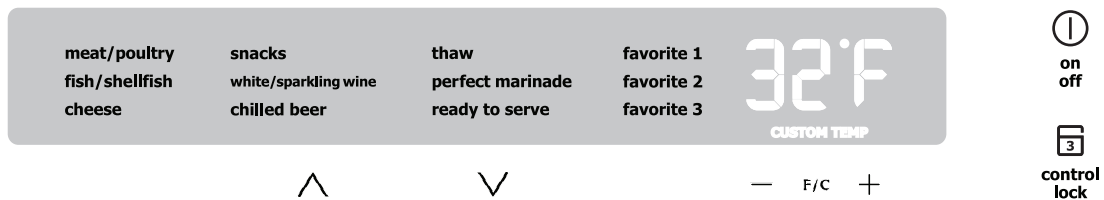
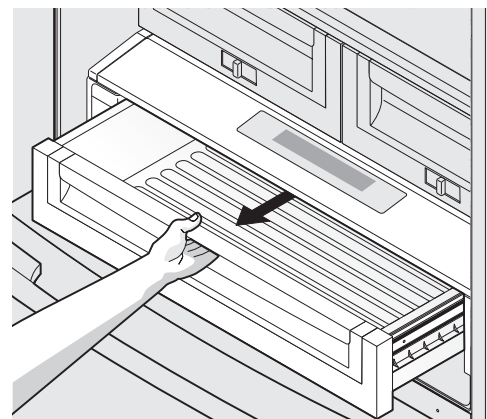


Figure 36

### To operate:

1. To turn on and off, press the drawer's On/Off button. The numeric display will show a temperature between "28°F and 42°F" when on and "OFF" when off.
2. Press F/C if you prefer to display Fahrenheit "F," or Celsius "C".
3. Press either the up  $\wedge$  or down  $\vee$  scroll buttons to illuminate the desired item.
4. Once an option is selected, the drawer will adjust and maintain the temperature for the setting selected.
5. When turned off, the Select Temp Drawer functions as a standard meat pan. The Select Temp Drawer is best used for packaged food products. Leafy vegetables and unpackaged fruits are best kept in one of the crisper drawers.
6. The three favorite selections provide flexibility to set and store personal temperature selections. The temperature is adjusted up by pressing the + or – buttons. The drawer will store the selected temperature setting until it is changed.
7. The control buttons can be locked to prevent accidental changes by pressing the control lock button for three seconds. Deactivate by pressing for three seconds again.



Opening the drawer

Figure 38

## STORAGE FEATURES

### NOTE

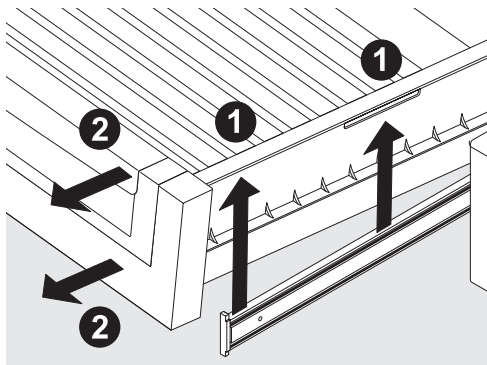
DO NOT clean the display area of the Select Temp Drawer with abrasive or caustic cleaners. Wipe clean with a moist sponge.

### CAUTION

The Select Temp Drawer and cover can be removed for cleaning but the control unit, attached to the right side of the fridge, cannot be removed. Do not immerse the Select Temp Drawer cover in water or put it in a dishwasher. Clean with a damp cloth or sponge.

#### To remove the Select Temp Drawer for cleaning:

1. Pull the drawer out until it stops.
2. Lift the front slightly and remove the drawer.



Removing the drawer Figure 39

### NOTE

When the refrigerator is turned off by pressing the main electronic control on/off button, the Select Temp Drawer will also be turned off. When the refrigerator is turned back on, the Select Temp Drawer will resume operations at the temp setting that was set before the refrigerator was turned off.

## Doors

### Storage bins

The doors to your fresh food compartment use a system of modular storage bins. All of these bins are removable for easy cleaning. Some of them have fixed positions, while others can be adjusted to your needs.

Door bins are ideal for storing jars, bottles, cans, and large drink containers. They also enable quick selection of frequently used items.

#### To change the position of an adjustable door bin:

1. Before adjusting a bin, remove all food.
2. Grip the bin firmly with both hands and lift it upward.
3. Remove the bin.
4. Place the bin just above desired position.
5. Lower the bin onto supports until locked in place.

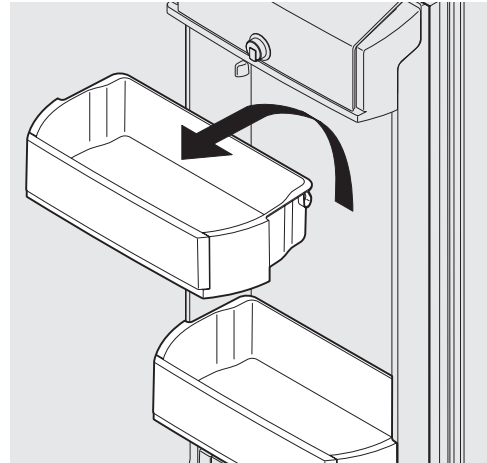
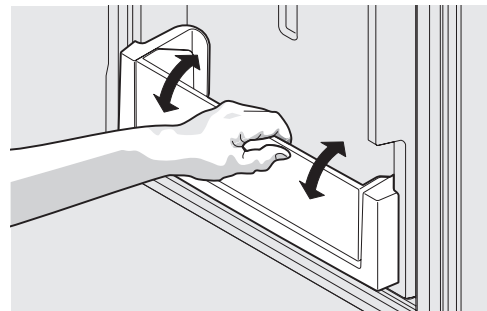


Figure 40

## Accessories

### Tilt can bins

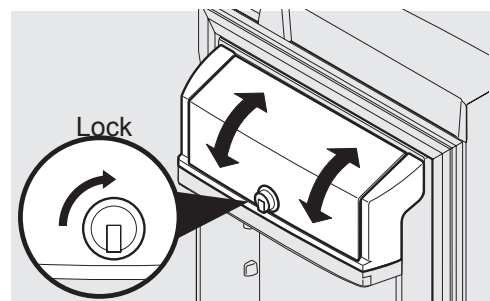
The can bins allow you to efficiently and securely store up to eight 12-ounce canned beverages.



Tilt can bin Figure 41

### Covered Door Bin

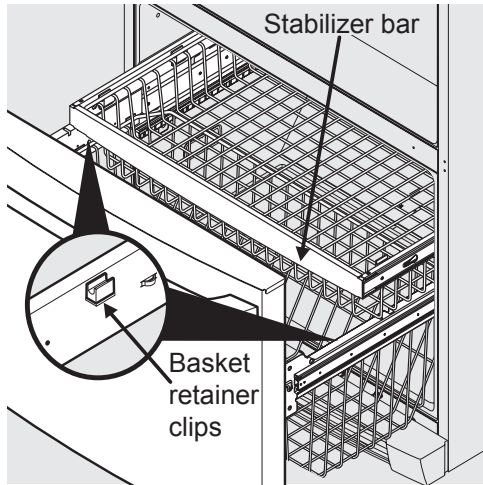
Use the covered door bin, at the top of the fresh food compartment door, for short-term storage of cheese, spreads, or butter. The covered door bin is designed to be warmer than the open area and includes a lift-up cover that may be locked and a dairy divider (select models).



Covered door bin Figure 42

# STORAGE FEATURES

## Freezer Features



Two freezer baskets Figure 43

### To Remove Upper Basket

1. Remove all items from basket.
2. Remove basket by pulling basket out to its full extension and lift out.

To reinstall upper basket, position basket onto the retainer clips making sure the front of the basket rests in the retainer clips on the stabilizer bar.

## NOTE

If basket is not resting on stabilizer bar retainer clips, the drawer will not close properly.

### To Remove Lower Basket

1. Remove all items from basket.
2. Remove the basket by tilting it forward and lifting it from the retainer clips.

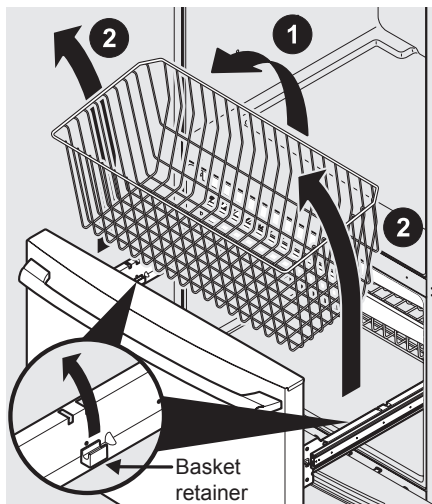


Figure 44

Removing lower basket

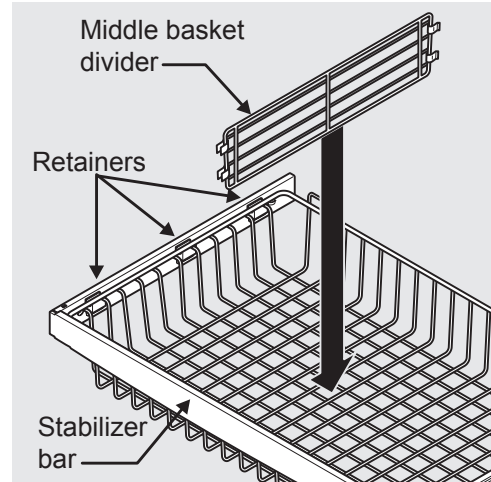
Lift up on the rear of the lower divider and pull out.

### Tilt Wire Shelf

The freezer tilt wire shelf (located on the inside of the freezer drawer) is not designed to be removed.

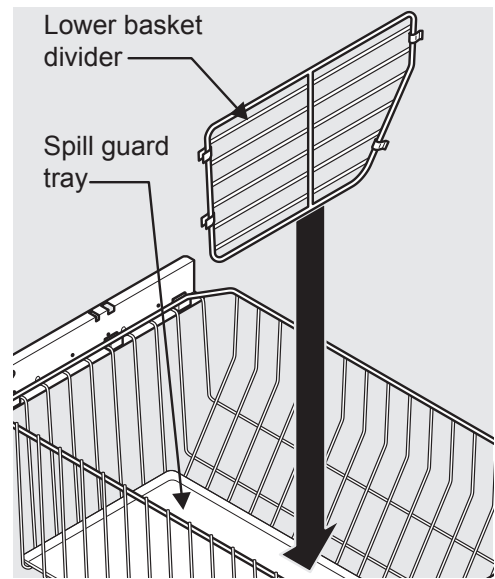
### Dividers Removal

Lift up on the front of the upper divider and pull out.



Upper basket divider Figure 45

Lift up on the rear of the lower divider and pull out.



Lower basket divider and spill guard tray Figure 46

## NOTE

Spill Guard Tray should be hand washed in warm water.

# STORING FOOD AND SAVING ENERGY

## Ideas for storing foods

### Fresh food storage

- Keep the fresh food compartment between 34°F and 40°F with an optimum temperature of 37°F.
- Avoid overcrowding the refrigerator shelves, which reduces air circulation and causes uneven cooling.

### Fruits and vegetables

- Store fruits and vegetables in crisper drawers, where trapped moisture helps preserve food quality for longer time periods.
- Wash items and remove excess water.
- Wrap any items that have strong odors or high moisture content.

### Meat

- Wrap raw meat and poultry separately and securely to prevent leaks and contamination of other foods or surfaces.
- Use the deli drawer or Select Temp drawer and set to meat/poultry setting for short-term storage. Any meat to be kept longer than two days should be frozen.

### Frozen food storage

- Keep the freezer compartment at 0°F or lower.
- A freezer operates most efficiently when it is at least  $\frac{2}{3}$  full.

### Packaging foods for freezing

- To minimize food dehydration and quality deterioration, use aluminum foil, freezer wrap, freezer bags, or airtight containers. Force as much air out of the packages as possible and seal them tightly. Trapped air can cause food to dry out, change color, and develop an off-flavor (freezer burn).
- Wrap fresh meats and poultry with suitable freezer wrap prior to freezing.
- Do not refreeze meat that has completely thawed.

### Loading the freezer

- Prior to grocery shopping, activate “fast freeze” so that on your return you can ensure your newly purchased food designated for the freezer will be preserved as quickly as possible.
- Activating “fast freeze” also will help your freezer more efficiently maintain the selected temperature after placing new purchases with pre-existing frozen foods.
- Avoid adding too much warm food to the freezer at one time. This overloads the freezer, slows the rate of freezing, and can raise the temperature of frozen foods.
- Leave a space between packages, so cold air can circulate freely, allowing food to freeze as quickly as possible.

## Ideas for saving energy

### Installation

- Locate the refrigerator in the coolest part of the room, out of direct sunlight, and away from heating ducts or registers.
- Do not place the refrigerator next to heat producing appliances such as a range, oven, or dishwasher. If this is not possible, a section of cabinetry or an added layer of insulation between the two appliances will help the refrigerator operate more efficiently.
- Level the refrigerator so that the doors close tightly.

### Temperature settings

- Refer to the “Controls” section for procedures on temperature settings.

### Food storage

- Avoid overcrowding the refrigerator or blocking cold air vents. Doing so causes the refrigerator to run longer and use more energy.
- Cover foods and wipe containers dry before placing them in the refrigerator. This cuts down on moisture build-up inside the unit.
- Organize the refrigerator to reduce door openings. Remove as many items as needed at one time and close the door as soon as possible.
- Do not place a hot container directly on a cold shelf. Remember, such an extreme temperature change may damage the glass

## NORMAL OPERATING SOUNDS

### Understanding the sounds you may hear

Your new, high-efficiency refrigerator may introduce unfamiliar sounds. These sounds normally indicate your refrigerator is operating correctly. Some surfaces on floors, walls, and kitchen cabinets may make these sounds more noticeable.

The following is a list of major components in your refrigerator and the sounds they can cause:

**A. Evaporator** Refrigerant through the evaporator may create a boiling or gurgling sound.

**B Evaporator fan** You may hear air being forced through the refrigerator by the evaporator fan.

**C Defrost heater** During defrost cycles, water dripping onto the defrost heater may cause a hissing or sizzling sound. After defrosting, a popping sound may occur.

**D Automatic ice maker** When ice has been produced, you will hear ice cubes falling into the ice bin. Ice maker fan, water valve activation, and refrigerant gas fluid may create sounds from its operation.

**E Electronic control & automatic defrost control** These parts can produce a snapping or clicking sound when turning the cooling system on and off.

**F Condenser fan** You may hear air being forced through the condenser.

**G Compressor** Modern, high-efficiency compressors run much faster than older models. The compressor may have a high-pitched hum or pulsating sound.

**H Water valve** Makes a buzzing sound each time it opens to fill the ice maker.

**I Drain pan** (not removable) You may hear water dripping into the drain pan during the defrost cycle.

**J Condenser** May create minimal sounds from forced air.

**K Motorized Select Temp drawer damper** May produce a light humming during operation.

**L Ice dispensing paddle** When dispensing ice, you will hear a snapping, clicking, or popping sound when the solenoid opens and closes the ice chute.

**M Motorized damper** May produce a light humming during operation.

**N Select Temp drawer fan** Turns off when door opens or Select Temp drawer is turned off.

### NOTE

Energy efficient foam in your refrigerator is not a sound insulator.

### NOTE

During automatic defrost cycle, a red glow in the back wall vents of your freezer compartment is normal.

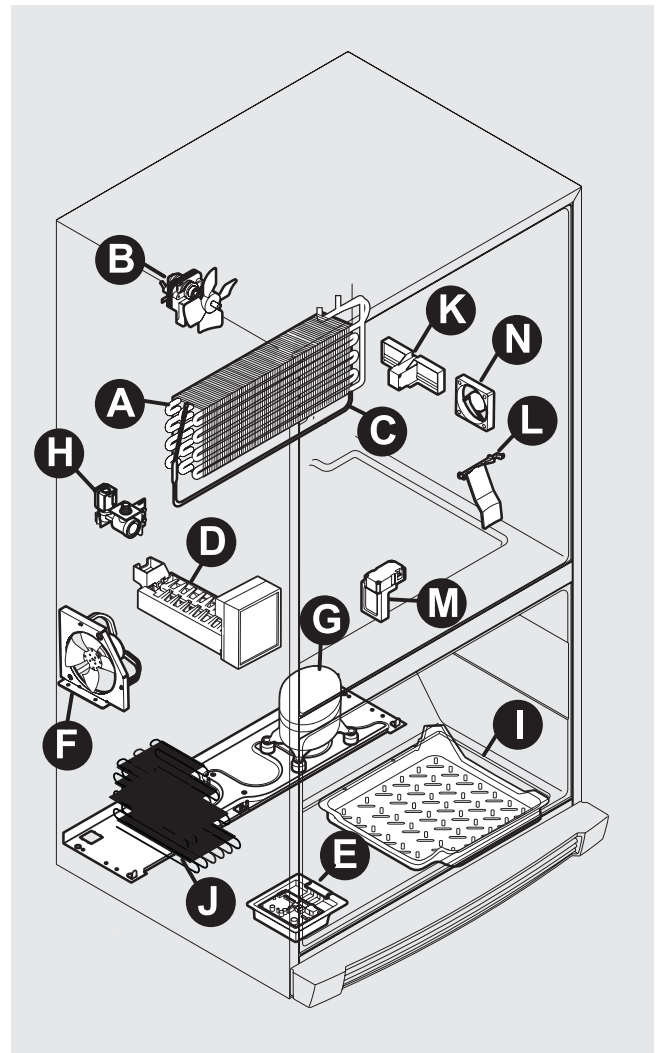


Figure 47

## CHANGING THE WATER AND AIR FILTERS

Your refrigerator is equipped with separate water and air filtering systems. The water filter system filters all the water used to produce ice. The air filter removes odors and impurities from the refrigerator compartment.

### NOTE

The control panel includes controls to monitor the status of your water and air filters. See the Controls section for more information.

#### About your advanced water filter



The filter system is tested and certified by NSF International to NSF/ANSI Standards 42 and 53 for the reduction of claims specified on the performance data sheet.

Do not use with water that is microbiologically unsafe or of unknown quality without adequate disinfection before or after the system. Systems certified for cyst reduction may be used on disinfected waters that may contain filterable cysts.

- Rated Capacity - 240 gallons
- Rated service flow - .5 gallons per minute
- Maximum Rated Pressure - 100 pounds per square inch
- Recommended Minimum Operating Pressure: 30 pounds per square inch
- Operating Temp.: Min. 33°F, Max. 100°F

#### Water filter

The water filter is located at the lower left side of the fresh food compartment.

#### Replacing your water filter

In general, you should change the water filter every six months to ensure the highest possible water quality. The Water Filter Status light on the Touch Panel prompts you to replace the filter after the six month time period has elapsed. The water filter status light on this model is not performance tested or certified by NSF.

If your refrigerator has not been used for a period of time (during moving for example), change the filter before reinstalling the refrigerator.

It is not necessary to turn the water supply off to change the filter. Be ready to wipe up any small amounts of water released during the filter replacement.

1. Push the filter release button above the cartridge to disconnect it.

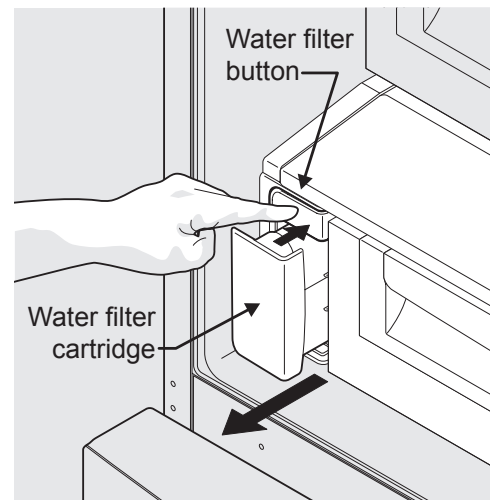


Figure 48 Push water filter button

2. Slide the old water filter cartridge straight out of the housing and discard it.
3. Unpack the new filter cartridge and remove the two protective caps covering the inlet and exit of the filter. Slide the filter gently into the housing until it stops against the snap-in connector at the back of the housing.

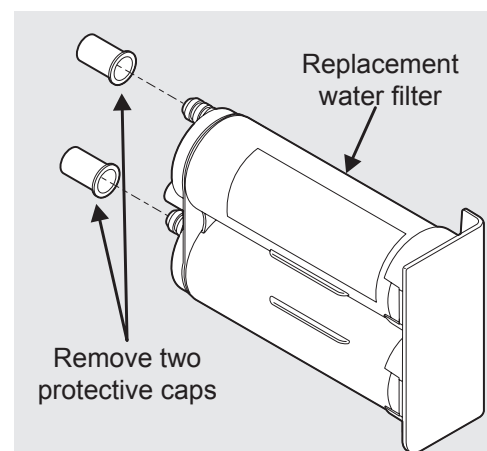


Figure 49

## CHANGING THE WATER AND AIR FILTERS

4. Push firmly until the cartridge snaps into place (you should hear two clicks). When fully engaged, the front of the filter cartridge should be flush with the filter release button.

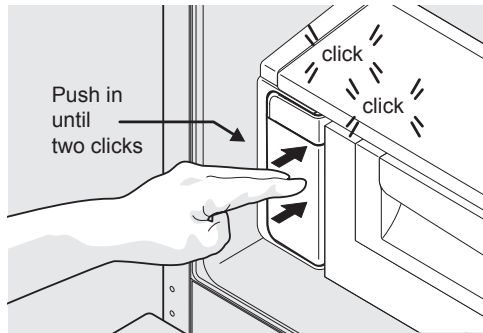


Figure 50 Reinstall water filter

5. Press and hold the **Filter Status** button on the control panel for three seconds. When the display changes from **“Replace”** to **“Good,”** the status has been reset.
6. After replacing the water filter and in order for the ice maker to work properly, it is necessary to clear air from water filter tubing. Once ice maker begins making ice, allow the bucket to fill completely, then discard the first TWO FULL buckets of ice. It will take at least two days to completely fill the bucket on regular ice making mode or 1½ days on fast ice mode.

### Air filter

The air filter is located under the utility bin.

### Replacing your air filter

To ensure optimal filtering of refrigerator odors, you should change the air filter every six months (the filter status light on the Touch Panel prompts you to replace the filter after six months).

1. Open the air filter door.
2. Remove the old filter and discard it.
3. Unpack the new filter and slide it into the housing.
4. To close the air filter door, push the top and bottom to lock the door closed.
5. Press and hold the Air Filter Reset button on the control panel for three seconds. When the display changes from **“Replace”** to **“Good,”** the status has been reset.
6. The Air Filter Reset will turn itself off after a few seconds.

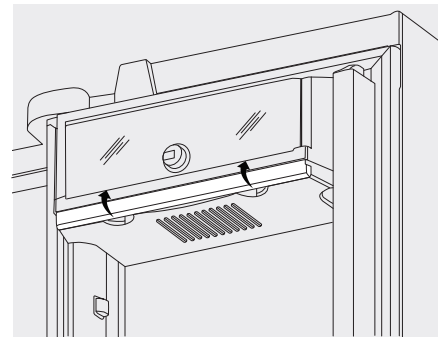


Figure 51

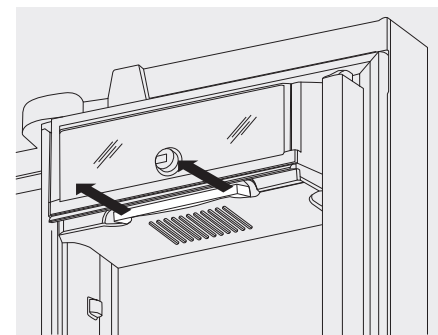


Figure 52

### Ordering replacement filters

Order new filters by calling 800-223-3900, online at or through the dealer where you bought your refrigerator. You may want to consider ordering extra filters when you first install your refrigerator.



## CARE AND CLEANING

---

### Protecting your investment

Keeping your refrigerator clean maintains its appearance and prevents odor build-up. Wipe up any spills immediately and clean the freezer and fresh food compartments at least twice a year.

#### NOTE

Do not use abrasive cleaners such as window sprays, scouring cleansers, flammable fluids, cleaning waxes, concentrated detergents, bleaches, or cleansers containing petroleum products on plastic parts, interior doors, gaskets, or cabinet liners. Do not use paper towels, scouring pads, or other abrasive cleaning materials.

- Never use metallic scouring pads, brushes, abrasive cleaners, or strong alkaline solutions on any surface.
- Never use CHLORIDE or cleaners with bleach to clean stainless steel.
- Do not wash any removable parts in a dishwasher.
- Always unplug the electrical power cord from the wall outlet before cleaning.

#### NOTE

If you set your temperature controls to turn off cooling, power to lights and other electrical components will continue until you unplug the power cord from the wall outlet.

- Remove adhesive labels by hand. Do not use razor blades or other sharp instruments which can scratch the appliance surface.
- Do not remove the serial plate. Removal of your serial plate voids your warranty.
- Before moving your refrigerator, raise the anti-tip brackets so the rollers will work correctly. This will prevent the floor from being damaged.



#### CAUTION

- Pull the refrigerator straight out to move it. Shifting it from side to side may damage flooring. Be careful not to move the refrigerator beyond the plumbing connections.
- Damp objects stick to cold metal surfaces. Do not touch refrigerated surfaces with wet or damp hands.

#### NOTE

If you store or move your refrigerator in freezing temperatures, be sure to completely drain the water supply system. Failure to do so could result in water leaks when the refrigerator is put back into service. Contact a service representative to perform this operation.

Refer to the guide on the next page for details on caring and cleaning specific areas of your refrigerator.

## CARE AND CLEANING

Care and cleaning tips		
Part	Cleaning agents	Tips and Precautions
Interior and door liners	<ul style="list-style-type: none"> <li>● Soap and water</li> <li>● Baking soda and water</li> </ul>	<ul style="list-style-type: none"> <li>● Use two tablespoons of baking soda in one quart of warm water.</li> <li>● Be sure to wring excess water out of sponge or cloth before cleaning around controls, light bulb or any electrical part.</li> </ul>
Door gaskets	<ul style="list-style-type: none"> <li>● Soap and water</li> </ul>	<ul style="list-style-type: none"> <li>● Wipe gaskets with a clean soft cloth.</li> </ul>
Drawers and bins	<ul style="list-style-type: none"> <li>● Soap and water</li> </ul>	<ul style="list-style-type: none"> <li>● Use a soft cloth to clean drawer runners and tracks.</li> <li>● Do not wash any removable items (bins, drawers, etc.) in dishwasher.</li> </ul>
Glass shelves	<ul style="list-style-type: none"> <li>● Soap and water</li> <li>● Glass cleaner</li> <li>● Mild liquid sprays</li> </ul>	<ul style="list-style-type: none"> <li>● Allow glass to warm to room temperature before immersing in warm water.</li> </ul>
Toe grille	<ul style="list-style-type: none"> <li>● Soap and water</li> <li>● Mild liquid sprays</li> <li>● Vacuum</li> </ul>	<ul style="list-style-type: none"> <li>● Remove toe grille (see Installation Instructions).</li> <li>● Vacuum both sides and wipe with sudsy cloth or sponge. Rinse and dry.</li> </ul>
Exterior & handles	<ul style="list-style-type: none"> <li>● Soap and water</li> <li>● Non abrasive glass cleaner</li> </ul>	<ul style="list-style-type: none"> <li>● Do not use commercial household cleaners containing ammonia, bleach or alcohol to clean handles.</li> <li>● Use a soft cloth to clean smooth handles.</li> <li>● Do not use a dry cloth to clean smooth doors.</li> </ul>
Exterior & handles (stainless steel models only)	<ul style="list-style-type: none"> <li>● Soap and water</li> <li>● Stainless steel cleaners</li> </ul>	<ul style="list-style-type: none"> <li>● <b>Never use CHLORIDE or cleaners with bleach to clean stainless steel.</b></li> <li>● Clean stainless steel front and handles with non-abrasive soapy water and a dishcloth. Rinse with clean water and a soft cloth.</li> <li>● Use a non-abrasive stainless steel cleaner. These cleaners can be purchased at most home improvement or major department stores. Always follow manufacturer's instruction. Do not use household cleaners containing ammonia or bleach.</li> <li>● NOTE: Always clean, wipe and dry with grain to prevent scratching.</li> <li>● Wash the rest of the cabinet with warm water and mild liquid detergent. Rinse well and wipe dry with a clean soft cloth.</li> </ul>

Vacation and moving tips	
Occasion	Tips
Short vacations	<ul style="list-style-type: none"> <li>● Leave refrigerator operating during vacations of three weeks or less.</li> <li>● Use all perishable items from refrigerator compartment.</li> <li>● Turn automatic ice maker off and empty ice bucket, even if you will only be gone a few days.</li> </ul>
Long vacations	<ul style="list-style-type: none"> <li>● Remove all food and ice if you will be gone one month or more.</li> <li>● Turn the cooling system off (see "Controls" section for location of On/Off button) and disconnect power cord.</li> <li>● Turn water supply valve to closed position.</li> <li>● Clean interior thoroughly.</li> <li>● Leave doors open to prevent odors and mold build-up. Block doors open if necessary.</li> </ul>
Moving	<ul style="list-style-type: none"> <li>● Remove all food and ice.</li> <li>● If using a handcart, load from the side.</li> <li>● Adjust rollers all the way up to protect them during sliding or moving.</li> <li>● Pad cabinet to avoid scratching surface.</li> </ul>

## CARE AND CLEANING

### Replacing LED Lights

Both the freezer and fresh food compartments of your refrigerator include LED lights.

#### To replace LED Lights:

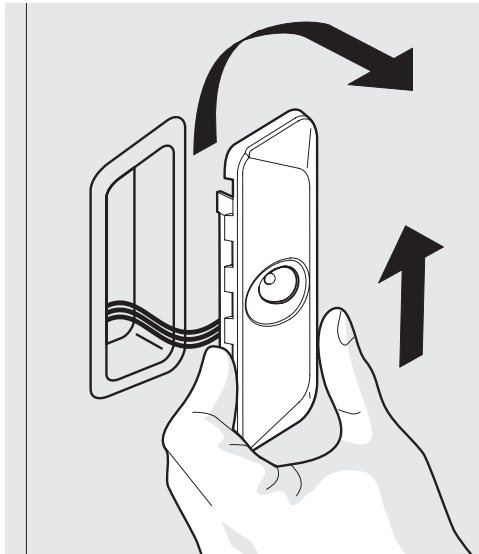
1. Unplug your refrigerator's power cord.
2. Remove light cover by pushing up and out.
3. Hold the LED cover with one hand and pull the connector with the other hand while pressing the connector latch.
4. Replace LED light and snap in place assuring the light is facing in toward the unit (inside fresh food and freezer) or facing outward on bottom of fresh food doors.

### NOTE

LED lights are in series so if one is bad or unplugged, several lights may not light up.

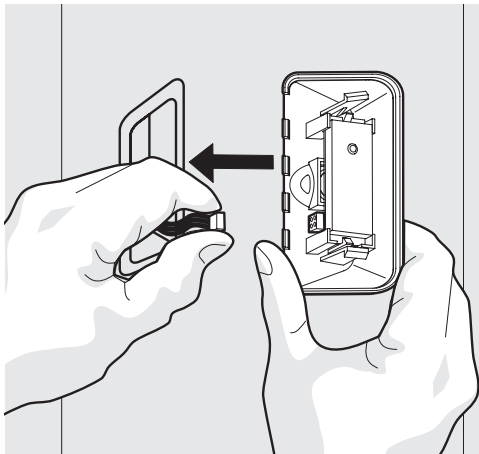
#### Ordering Replacement LED Lights

Order new LEDs by calling 800-223-3900, or through the dealer where you bought the refrigerator.



LED light removal

Figure 53



LED light harness removal

Figure 54

## SOLUTIONS TO COMMON PROBLEMS

### Before you call

If you experience a concern with your refrigerator or notice a product behavior or condition that you do not understand, you can usually avoid a call to your service representative by referring to this section for an answer. Beginning with the following table, this information includes concerns, potential causes, and common solutions.

<b>Automatic Ice Maker</b>		
<b>Problem</b>	<b>Cause</b>	<b>Correction</b>
Ice maker is not making any ice	<ul style="list-style-type: none"> <li>● Ice maker is turned off.</li> <li>● Refrigerator is not connected to water line or water valve is not open.</li> <li>● The water supply line is kinked.</li> <li>● The water filter is not seated properly.</li> <li>● The water filter may be clogged with foreign material.</li> <li>● Saddle valve on cold water pipe is clogged or restricted by foreign material.</li> </ul>	<ul style="list-style-type: none"> <li>● Turn on ice maker. For the fresh food ice maker, press and hold the "Ice Off" button for four seconds until the indicator turns off. For the freezer ice maker, lower the wire signal arm.</li> <li>● Connect the unit to the household water supply and ensure the supply valve is open.</li> <li>● Ensure that the supply line does not kink when the refrigerator is pushed into place against the wall.</li> <li>● Remove and re-install the water filter. Be sure to push the filter firmly so that you hear it lock solidly into position.</li> <li>● If water dispenses slowly or not at all, or if the filter is six months old or older, it should be replaced.</li> <li>● Turn off household water line valve. Remove valve. Ensure that valve is not a self-piercing saddle valve. Clean valve. Replace valve if necessary.</li> </ul>
Ice maker is not making enough ice.	<ul style="list-style-type: none"> <li>● Ice maker is producing less ice than you expect.</li> <li>● The water filter may be clogged with foreign material.</li> <li>● The water supply line is kinked.</li> <li>● Saddle valve on cold water pipe is clogged or restricted by foreign material.</li> </ul>	<ul style="list-style-type: none"> <li>● The fresh food and freezer ice makers will each produce approximately 2.5 pounds of ice every 24 hours depending on usage conditions.</li> <li>● If water dispenses slower than normal, or if the filter is six months old or older, it should be replaced.</li> <li>● Ensure that the supply line does not kink when the refrigerator is pushed into place against the wall.</li> <li>● Turn off household water line valve. Remove valve. Ensure that valve is not a self-piercing saddle valve. Clean valve. Replace valve if necessary</li> </ul>
Freezer ice maker will not stop making ice.	<ul style="list-style-type: none"> <li>● Ice maker wire signal arm is being held down by some package in the freezer that has fallen against the ice maker.</li> </ul>	<ul style="list-style-type: none"> <li>● Move the item and release wire signal arm. Remove any ice cubes that may have frozen together over the wire signal arm.</li> </ul>
Ice cubes are freezing together.	<ul style="list-style-type: none"> <li>● Ice cubes are not being used frequently enough.</li> <li>● Ice cubes are hollow (shells of ice with water inside). The hollow cubes break open in the bin and leak their water onto existing ice, which causes it to freeze together.</li> </ul>	<ul style="list-style-type: none"> <li>● Remove ice container and discard ice. The ice maker will produce fresh supply. Ice should be used at least twice weekly to keep the cubes separated.</li> <li>● This generally occurs when the ice maker does not get enough water. This is usually the result of a clogged water filter. Replace the water filter.</li> </ul>

<b>Light is not on</b>		
<b>Concern</b>	<b>Potential cause</b>	<b>Common solution</b>
Light is not on	<ul style="list-style-type: none"> <li>● Light bulb is burned out or LED light is damaged.</li> <li>● No electric current is reaching refrigerator.</li> <li>● Control system has disabled lights because one or both doors were left open too long.</li> </ul>	<ul style="list-style-type: none"> <li>● See Replacing Light Bulbs or LED lights in Care and Cleaning section.</li> <li>● See "Concern" section, "Refrigerator Operations".</li> <li>● Close and reopen door(s) to enable lights.</li> </ul>

<b>Odors in refrigerator</b>		
<b>Concern</b>	<b>Potential cause</b>	<b>Common solution</b>
Interior is dirty. Odors	<ul style="list-style-type: none"> <li>● Interior needs to be cleaned.</li> <li>● Food with strong odors is stored in refrigerator.</li> </ul>	<ul style="list-style-type: none"> <li>● See care &amp; cleaning tips.</li> <li>● Cover food tightly. Air filter may need to be changed more frequently if foods with strong odors are routinely stored in refrigerator.</li> </ul>

## SOLUTIONS TO COMMON PROBLEMS

<b>Opening/Closing of Doors/Drawers</b>		
<b>Concern</b>	<b>Potential cause</b>	<b>Common solution</b>
Door(s) will not close.	<ul style="list-style-type: none"> <li>● Refrigerator is not level. It rocks on the floor when moved slightly.</li> <li>● An object has fallen from the baskets blocking the door from closing.</li> </ul>	<ul style="list-style-type: none"> <li>● Ensure floor is level and solid, and can adequately support the refrigerator. Contact a carpenter to correct a sagging or sloping floor.</li> <li>● Check for ice or food items blocking drawer.</li> </ul>
Drawers are difficult to move.	<ul style="list-style-type: none"> <li>● Food is touching shelf on top of drawer.</li> <li>● Drawer is overloaded.</li> </ul>	<ul style="list-style-type: none"> <li>● Keep less food in drawer.</li> <li>● Remove or redistribute food.</li> </ul>

<b>Refrigerator Operations</b>		
<b>Concern</b>	<b>Potential cause</b>	<b>Common solution</b>
Compressor does not run	<ul style="list-style-type: none"> <li>● Cooling system is turned off.</li> <li>● Refrigerator is in defrost cycle.</li> <li>● Plug at wall outlet is disconnected.</li> <li>● House fuse is blown or a tripped circuit breaker.</li> <li>● Power outage</li> <li>● Electronic control system keeps the refrigerator at a constant temperature.</li> </ul>	<ul style="list-style-type: none"> <li>● Turn cooling system On. See Controls Section for location of cooling system On/Off button.</li> <li>● This is normal for a fully automatic defrost refrigerator. The defrost cycle occurs periodically, lasting about 30 minutes.</li> <li>● Ensure plug is tightly pushed into outlet.</li> <li>● Check/replace fuse with a 15 amp time-delay fuse. Reset circuit breaker.</li> <li>● Check house lights. Call local Electric Company.</li> <li>● This is normal. Refrigerator goes on and off to keep temperature constant.</li> </ul>
Refrigerator runs to much or to long.	<ul style="list-style-type: none"> <li>● Room or outside weather is hot.</li> <li>● Refrigerator has recently been disconnected for a period of time.</li> <li>● Automatic ice maker is operating.</li> <li>● Doors are opened too frequently or too long.</li> <li>● Refrigerator/freezer door may be slightly open.</li> <li>● Freezer control is set too cold (control found on side of left hand door).</li> <li>● Fresh food/freezer gasket is dirty, worn, cracked, or poorly fitted.</li> <li>● This model is provided with a high-efficiency, variable-speed compressor.</li> </ul>	<ul style="list-style-type: none"> <li>● It's normal for the refrigerator to work longer under these conditions.</li> <li>● It takes 8-12 hours for the refrigerator to cool down completely.</li> <li>● Ice maker operation causes refrigerator to run slightly more.</li> <li>● Warm air entering the refrigerator causes it to run more. Open doors less often.</li> <li>● Ensure refrigerator is level. Keep food and containers from blocking door. See Concern section, Opening/Closing of Doors/ Drawers.</li> <li>● Set freezer control to warmer setting until refrigerator temperature is satisfactory. Allow 24 hours for temperature to stabilize.</li> <li>● Clean or change gasket. Leaks in door seal will cause refrigerator to run longer in order to maintain desired temperatures.</li> <li>● It is normal for the compressor to run for long periods of time, instead of starting and stopping frequently.</li> </ul>
Digital temperature displays are flashing.	<ul style="list-style-type: none"> <li>● Electronic control system has detected a performance problem.</li> </ul>	<ul style="list-style-type: none"> <li>● Call your service representative, who can interpret any messages or number codes flashing on the digital displays.</li> </ul>

<b>Temperatures are to Cold</b>		
<b>Concern</b>	<b>Potential cause</b>	<b>Common solution</b>
Freezer temperature too cold. Refrigerator temperature is satisfactory.	<ul style="list-style-type: none"> <li>● Fast Freeze function is activated.</li> <li>● Freezer control is set too cold.</li> <li>● Ice maker is on.</li> <li>● Fast Ice function is activated.</li> </ul>	<ul style="list-style-type: none"> <li>● Deactivate Fast Freeze function.</li> <li>● Set freezer control to a warmer setting. Allow 24 hours for temperature to stabilize.</li> <li>● It is normal for the freezer compartment to over cool while automatic ice maker is on.</li> <li>● Deactivate Fast Ice function.</li> </ul>
Refrigerator temperature too cold. Freezer temperature is satisfactory.	<ul style="list-style-type: none"> <li>● Refrigerator control is set too cold.</li> </ul>	<ul style="list-style-type: none"> <li>● Set refrigerator control to a warmer setting. Allow 24 hours for temperature to stabilize.</li> </ul>
Food stored in drawers freezes.	<ul style="list-style-type: none"> <li>● Refrigerator control is set too cold.</li> </ul>	<ul style="list-style-type: none"> <li>● See solution above.</li> </ul>
Food stored in Cool Zone freezes	<ul style="list-style-type: none"> <li>● Cool Zone temperature control is set too cold.</li> </ul>	<ul style="list-style-type: none"> <li>● Adjust Cool Zone temperature control to a warmer setting. Meat should be stored at a temperature just below the freezing point for maximum fresh storage time. It is normal for ice crystals to form due to the moisture content of meat.</li> </ul>

## SOLUTIONS TO COMMON PROBLEMS

<b>Temperatures are too Warm</b>		
<b>Concern</b>	<b>Potential Cause</b>	<b>Common Solution</b>
Freezer/Refrigerator temperature is too warm.	<ul style="list-style-type: none"> <li>●Doors are opened too frequently or too long.</li> <li>●Door is slightly open.</li> </ul>	<ul style="list-style-type: none"> <li>●Warm air enters the refrigerator whenever the door is opened. Open the door less often.</li> <li>●See Concern section, Opening/Closing of Doors/ Drawers.</li> </ul>
Freezer temperature is too warm. Refrigerator temperature is satisfactory.	<ul style="list-style-type: none"> <li>●Freezer control is set too warm.</li> </ul>	<ul style="list-style-type: none"> <li>●Set freezer control to a colder setting. Allow 24 hours for temperature to stabilize.</li> </ul>
Refrigerator temperature is too warm. Freezer temperature is satisfactory.	<ul style="list-style-type: none"> <li>●Refrigerator control is set too warm.</li> </ul>	<ul style="list-style-type: none"> <li>●Set refrigerator control to a colder setting. Allow 24 hours for temperature to stabilize.</li> </ul>
Temperature in the Select Temp Drawer is too warm .	<ul style="list-style-type: none"> <li>●Temperature control is set too warm.</li> </ul>	<ul style="list-style-type: none"> <li>●Adjust temperature control to a colder setting.</li> </ul>

<b>Water/Moisture/Frost Inside Refrigerator</b>		
<b>Concern</b>	<b>Potential Cause</b>	<b>Common Solution</b>
Moisture collects on inside of refrigerator walls.	<ul style="list-style-type: none"> <li>●Weather is hot and humid.</li> <li>●Door is slightly open.</li> <li>●Door is opened too often or too long.</li> <li>●Open containers.</li> </ul>	<ul style="list-style-type: none"> <li>●The rate of frost buildup and internal sweating increases.</li> <li>●See Concern section, Opening/Closing of Doors/ Drawers.</li> <li>●Open door less often to allow internal temperature to stabilize.</li> <li>●Keep containers covered.</li> </ul>
Water collects on bottom side of drawer cover.	<ul style="list-style-type: none"> <li>●Vegetables contain and give off moisture.</li> </ul>	<ul style="list-style-type: none"> <li>●Moisture on the bottom side of the cover is not unusual.</li> <li>●Move humidity control (select models) to lower setting.</li> </ul>
Moisture collects in bottom of drawer.	<ul style="list-style-type: none"> <li>●Washed vegetables and fruit drain while in the drawer.</li> <li>●Fruits and vegetables are kept past their prime.</li> </ul>	<ul style="list-style-type: none"> <li>●Dry items before putting them in the drawer. Water collecting in bottom of drawer is normal.</li> <li>●Routinely clean out old fruits and vegetables especially if they begin to break down.</li> </ul>
Moisture collects on outside of refrigerator or between doors.	<ul style="list-style-type: none"> <li>●Weather is humid.</li> <li>●Door is slightly open, causing cold air from inside refrigerator to meet warm air from outside.</li> </ul>	<ul style="list-style-type: none"> <li>●This is normal in humid weather. When humidity is lower, the moisture should disappear.</li> <li>●See Concern section, Opening/Closing of Doors/ Drawers.</li> </ul>

# WARRANTY

## Entire Product – Limited One Year Warranty

AGA Marvel warrants the replacement or repair of all parts, of this appliance which prove to be defective in material or workmanship, with the exception of the painted or porcelain enamel finish or plated surfaces, for one year from the date of original purchase. Such parts will be repaired or replaced at the option of AGA Marvel without charge, subject to the terms and conditions as set out below.

## Limited Warranty - Major Refrigeration Components

**Second Through Fifth Year** - After the first year from the date of original purchase, through the fifth year, the manufacturer will repair or replace, at its option, free of charge for parts and labor only, any part of the sealed refrigeration system (consisting of the compressor, evaporator, condenser, drier and connecting tubing) and the cabinet liner (exclusive of the door liner) which fail in normal home use. All other costs, including mileage, transportation, trip charge and diagnostic charge, if required, shall be the responsibility of the owner.

## Limited Warranty - Water Filter-

30 days - From the original retail purchase date, any part of the water filter cartridge which fails due to a defect in workmanship or materials will be replaced free of charge.

## What is not covered by this Warranty

1. Customer education or instructions on how to use the refrigerator/freezer.
2. Any food loss due to product failure. (Warranter is not be liable for any incidental or consequential damage including food loss.
3. Any expenses involved in making this appliance readily accessible for servicing.
4. Transportation, delivery, or subsequent damages.
5. Use commercially or rental use or use other than normal household.
6. **Improper installation**, misuse, abuse, accident or alteration, use on wiring not conforming to electrical codes, low voltage, failure to provide necessary maintenance or other unreasonable use.
7. Parts of service not supplied or designated by the factory.
8. Accident, fire, flood, acts of God.
9. Alteration, or the removal or defacing of the serial plate,
10. The original Bill of Sale, delivery date or serial number cannot be verified.
11. The product is moved from place of original installation, and reinstalled without reviewing installation procedures with dealer or manufacturer.
12. Light bulbs
13. If the product is installed outside the normal service area, any cost of transportation expenses [tolls, ferry trip charges, or mileage expenses, etc.] involved in the repair of the product, or the replacement of a defective part, shall be borne by the customer [owner].

THE WARRANTIES, SET FORTH HEREIN ARE THE ONLY WARRANTIES EXTENDED BY AGA Marvel. ANY IMPLIED WARRANTIES, INCLUDING THE IMPLIED WARRANTY OF MERCHANTABILITY, ARE LIMITED TO THE DURATION OF THESE EXPRESS WARRANTIES. IN NO EVENT SHALL AGA Marvel BE LIABLE FOR ANY CONSEQUENTIAL OR INCIDENTAL DAMAGES OF EXPENSES RESULTING FROM BREACH OF THESE OR ANY OTHER WARRANTIES, WHETHER EXPRESSED OR IMPLIED. Some states do not allow the exclusion or limitation of consequential damages or limitations on how long an implied warranty lasts, so the above exclusion or limitation may not apply to you. **Warranty applies to product only in the country in which it was purchased.**

No person, firm or corporation is authorized to make any other warranty or assume any other obligation for AGA Marvel. To obtain performance of the warranty, report any defects to: Your Dealer or AGA Marvel Appliances Service Representative.

AGA Marvel  
1260 E. VanDeinse St.  
Greenville MI 48838

phone: 800-223-3900  
fax: 616-754-9690

PLACE OF PURCHASE \_\_\_\_\_

DATE OF PURCHASE \_\_\_\_\_

SERIAL NUMBER \_\_\_\_\_

MODEL NUMBER \_\_\_\_\_

---

[www.agamarvel.com](http://www.agamarvel.com)

41014178-EN rev A  
6/9/15

All specifications and product designs subject to change without notice. Such revisions do not entitle the buyer to corresponding changes, improvements, additions, replacements or compensation for previously purchased products.



**AGA Marvel**  
**1260 E. VanDeinse St.**  
**Greenville MI 48838**

**Téléphone sans frais: 800-223-3900**  
**Fax: 616-754-9690**  
**[www.agamarvel.com](http://www.agamarvel.com)**

---

Nous vous REMERCIIONS d'avoir acheté ce produit de haute qualité. Si vous rencontrez un problème non mentionné dans la section DÉPANNAGE, veuillez visiter notre site Web [www.agamarvel.com](http://www.agamarvel.com) pour des informations supplémentaires. Si vous avez toujours besoin d'assistance, veuillez nous téléphoner au 1-800-223-3900.

**Modèle AMLFDR23C**

**Instructions D'Utilisation  
Du Réfrigérateur**

---

## TABLE DES MATIÈRES ET SÉCURITÉ

### Table des matières

Renseignements.....	2
Sécurité.....	2
Déballage de votre appareil.....	3
Électrique.....	4
Aperçu des caractéristiques.....	5
Dimensions du produit.....	6
Installation.....	7
Dépose des portes.....	11
Raccorder l'alimentation en eau.....	13
Commandes.....	14
Distributeur d'eau et de glaçons automatique.....	16
Caractéristiques de rangement.....	17
Conservation des aliments et économie d'énergie.....	21
Bruits et éléments visuels d'un fonctionnement normal.....	22
Remplacement des filtres à eau et à air.....	23
Entretien et nettoyage.....	25
Solutions aux problèmes courants.....	28
Garantie.....	31

### Importantes instructions de sécurité

Les avertissements et les instructions de sécurité qui apparaissent dans ce guide n'ont pas la prétention de couvrir toutes les conditions et situations possibles pouvant arriver. Il faut faire preuve de bon sens, de précautions et de soins, pour installer, utiliser ou entretenir cet appareil.

### Reconnaissance des symboles, des mots et des étiquettes concernant la sécurité.



#### AVERTISSEMENT

**AVERTISSEMENT** - Risque possible de décès ou de blessure grave si vous ne suivez pas les instructions.



#### ATTENTION

**ATTENTION** - Risques ou pratiques dangereuses pouvant entraîner des blessures individuelles, des dégâts matériels ou des dommages au produit.

#### REMARQUE

**REMARQUE** - Information importante pour réaliser une installation et une utilisation sans problèmes.

Avertissements de la proposition 65 de l'État de Californie :  
**AVERTISSEMENT** : Ce produit contient au moins un produit chimique connu par l'État de Californie pour être à l'origine de cancers.

**AVERTISSEMENT** : Ce produit contient au moins un produit chimique connu par l'État de Californie pour être à l'origine de malformations et autres déficiences de naissance.

### REMARQUE

#### ÉLIMINATION DE CFC/HCFC

Votre vieux réfrigérateur peut avoir un système de refroidissement qui utilise les CFC ou HCFC (chlorofluorocarbures ou hydrochlorofluorocarbures). Les CFC et les HCFC sont jugés nocifs pour la couche d'ozone stratosphérique s'ils sont libérés dans l'atmosphère. D'autres réfrigérants peuvent également causer des dommages à l'environnement lorsqu'ils sont rejetés dans l'atmosphère.

Si vous vous débarrassez de votre vieux réfrigérateur, assurez-vous que les réfrigérants sont retirés pour une élimination appropriée par un technicien qualifié.

Si vous libérez intentionnellement des réfrigérants, vous pouvez être soumis à des amendes et à des peines d'emprisonnement en vertu des dispositions de la législation environnementale.



### ATTENTION

- N'entrez pas et n'utilisez pas d'essence ni d'autres liquides inflammables à proximité de cet appareil ou de tout autre appareil électroménager. Lisez les étiquettes du produit concernant les risques d'inflammabilité et autres avertissements.
- Ne faites pas fonctionner le réfrigérateur en présence de vapeurs explosives.
- Évitez tout contact avec les pièces mobiles de la machine à glaçons automatique.

# DÉBALLAGE DE VOTRE APPAREIL



## AVERTISSEMENT

### AVERTISSEMENT RISQUE DE POIDS EXCESSIF

Utilisez deux personnes ou plus pour déplacer le produit.  
Sinon vous pourriez vous blesser.

### Enlèvement de l'emballage intérieur

Votre réfrigérateur a été emballé pour l'expédition avec toutes les pièces pouvant être endommagées par le mouvement solidement attachées. Enlevez les matériaux d'emballage intérieur et toute bande maintenant des composants intérieurs en place. Le manuel de l'utilisateur est envoyé à l'intérieur de l'appareil dans un sac en plastique, accompagné de la carte d'enregistrement de la garantie, et d'autres articles accessoires.

### Important

Conservez votre carton d'emballage jusqu'à ce que votre réfrigérateur ait été complètement inspecté et trouvé en bon état. S'il présentait des dommages, cet emballage serait nécessaire comme preuve qu'ils sont survenus durant le transit. Ensuite veuillez mettre tous ces matériaux d'emballage au rebut d'une façon responsable.



## ATTENTION

Jetez bien les sacs en plastique qui représentent un risque de suffocation.

### Note pour le client

Cette marchandise a été soigneusement et complètement inspectée avant de quitter notre usine. La responsabilité pour sa livraison sûre a été assumée par le revendeur à l'acceptation de cette expédition. Les réclamations pour perte ou dommages survenus durant le transit sont à adresser au revendeur.

## REMARQUE

NE RENVOYEZ PAS DE MARCHANDISE ENDOMMAGÉE  
AU FABRICANT – DÉPOSEZ UNE RÉCLAMATION  
AUPRÈS DU REVENDEUR.



## ATTENTION

Si l'appareil a été livré, manipulé ou entreposé dans une position autre que debout, pendant une durée quelconque, laissez-le reposer debout pendant au moins 24 heures avant de la brancher électriquement. Cela assurera le retour de l'huile au compresseur. Un branchement immédiat de l'appareil pourrait endommager des parties internes.

### Enregistrement de la garantie

Il est important que vous postiez votre carte de garantie immédiatement après avoir pris livraison de votre réfrigérateur.

Les informations suivantes seront nécessaires au moment de l'enregistrement de votre appareil :

- Numéro de service
- Numéro de série
- Date d'achat
- Nom et adresse du revendeur

**Enregistrement en ligne disponible sur [www.agamarvel.com](http://www.agamarvel.com)**

Le numéro de service et le numéro de série se trouvent sur la plaque signalétique qui est située à l'intérieur de l'armoire, du côté gauche près du haut (Voyez la Figure 1).

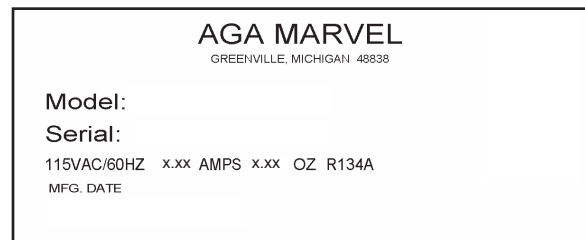


Figure 1



## ATTENTION

### Contribuez à éviter des tragédies

L'emprisonnement d'enfants et leur asphyxie ne sont pas des problèmes du passé. Des épaves de réfrigérateurs abandonnés continuent de présenter un danger - même en restant dehors pour «juste quelques heures».

Si vous devez vous débarrasser de votre vieil appareil de refroidissement, veuillez suivre ces instructions pour aider à éviter des accidents possibles.

Avant de jeter votre vieux réfrigérateur ou congélateur :

- Démontez ses portes ou enlevez ses tiroirs.
- Laissez les étagères en place de façon à ce que des enfants ne puissent pas facilement monter dedans.

# ÉLECTRICITÉ

## Électricité

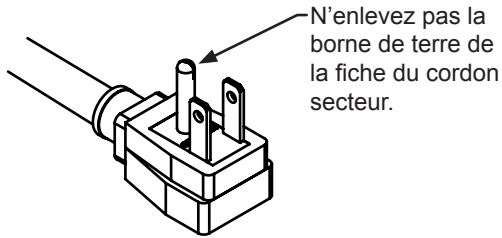


Figure 2

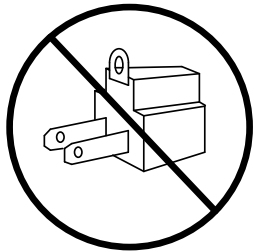


Figure 3

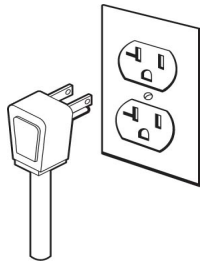


Figure 4



## ATTENTION

Vous devez suivre ces directives pour que les mécanismes de sécurité de votre réfrigérateur fonctionnent correctement.

- Le réfrigérateur doit être branché sur sa propre prise électrique de 115 V c.a., 60 Hz, sans mise à la terre. Le cordon d'alimentation de l'appareil est muni d'une fiche à trois broches avec mise à la terre afin de vous protéger contre les chocs électriques. Cette fiche doit être branchée directement sur une prise murale à trois alvéoles correctement mise à la terre. La prise murale doit être installée selon les codes et les règlements locaux. Consultez un technicien qualifié. N'utilisez pas de rallonge électrique ni de fiche d'adaptation.
- Si le cordon d'alimentation est endommagé, il doit être remplacé par le fabricant, un technicien de service après-vente ou une personne qualifiée.
- Ne débranchez jamais le réfrigérateur en tirant sur le cordon. Agrippez fermement la fiche et tirez-la hors de la prise électrique en la tenant droite pour éviter d'endommager le cordon d'alimentation.
- Débranchez le réfrigérateur avant de le nettoyer ou de remplacer une ampoule ou une DEL.
- Une tension variant de 10 % ou plus risque de nuire aux performances de votre appareil. L'utilisation du réfrigérateur sans une alimentation électrique suffisante peut endommager le compresseur. Un tel dommage n'est pas couvert par la garantie.
- Ne branchez pas le réfrigérateur sur une prise commandée par un interrupteur mural ou un cordon de tirage pour éviter qu'il ne soit accidentellement éteint.

## REMARQUE

Pour couper le courant de votre réfrigérateur, débranchez la fiche de la prise de courant.

# APERÇU DES CARACTÉRISTIQUES

## Explication des caractéristiques et des termes

Votre réfrigérateur est conçu pour vous offrir une commodité optimale et de la polyvalence de rangement.

L'illustration ci-dessous est fournie afin que vous puissiez vous familiariser avec les caractéristiques et la terminologie de l'appareil.

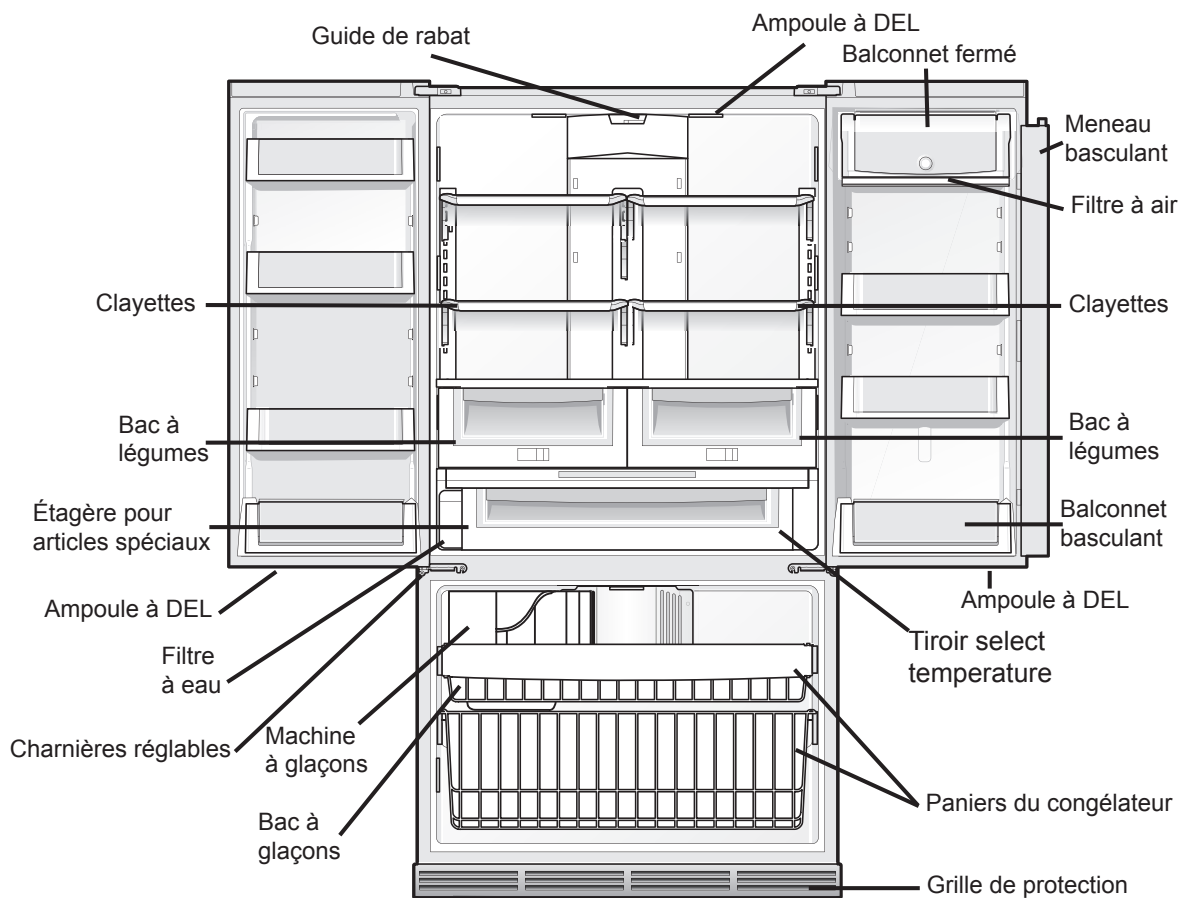
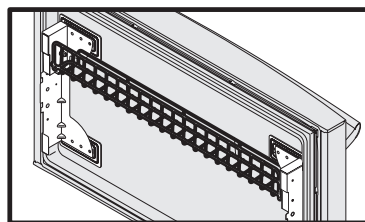


Figure 5



Clayette basculante métal lique  
(à l'intérieur du tiroir du congélateur)

# DIMENSIONS DU PRODUIT

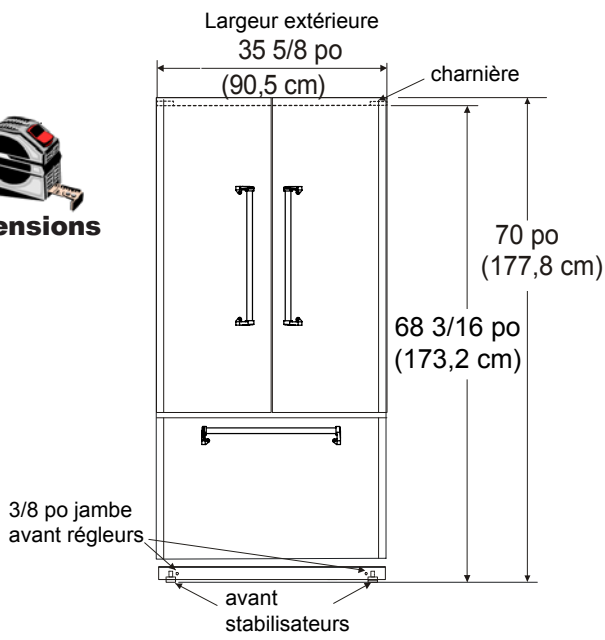
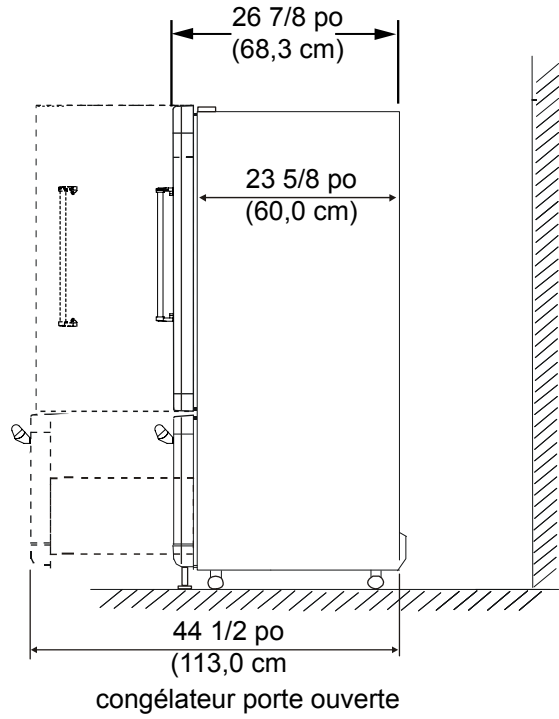


Figure 6



## Brutalement Dans Mesures

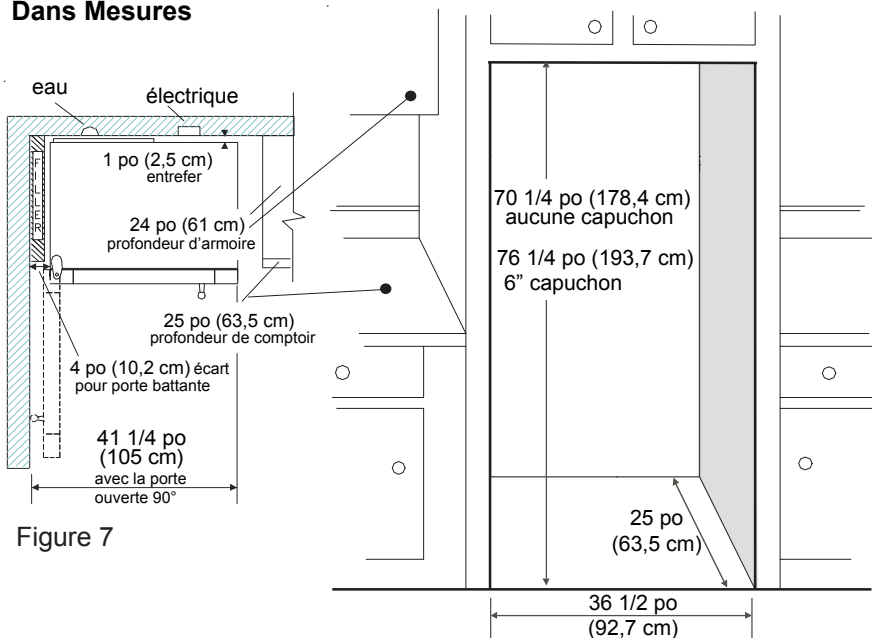


Figure 7

Figure 8

# INSTALLATION

## Outils nécessaires

Vous aurez besoin des outils suivants :

Composants fournis:

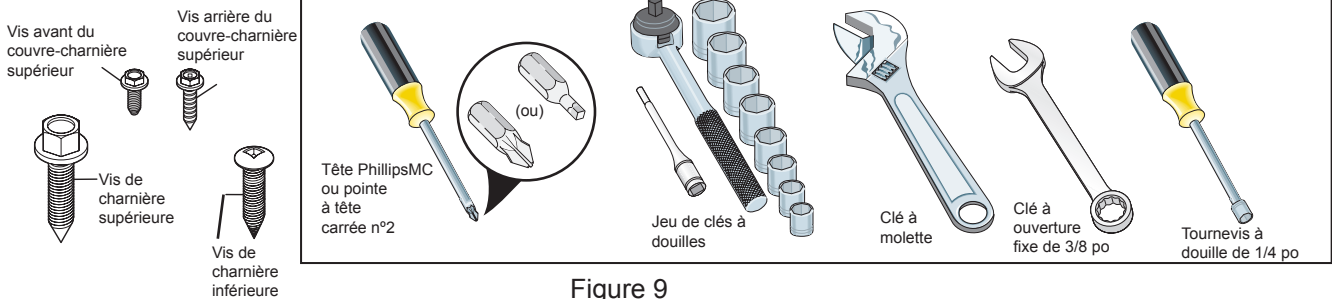


Figure 9

Ce guide d'utilisation et d'entretien contient des instructions d'installation et d'utilisation spécifiques à votre modèle. Nous vous conseillons de faire appel à un réparateur ou à un entrepreneur pour l'installation de votre réfrigérateur. N'utilisez votre réfrigérateur que selon les instructions contenues dans ce guide d'utilisation et d'entretien. Avant de mettre le réfrigérateur en marche, suivez ces étapes initiales importantes.

## Emplacement

- Placez l'appareil près d'une prise électrique sans disjoncteur de fuite de terre. N'utilisez pas de rallonge électrique ni de fiche d'adaptation.
- Si possible, ne placez pas le réfrigérateur directement sous la lumière du soleil et installez-le loin de la cuisinière, du lave-vaisselle et des autres sources de chaleur.
- Le réfrigérateur doit être installé sur un plancher de niveau et suffisamment solide pour supporter le poids du réfrigérateur une fois rempli.
- Prenez en considération la proximité de l'alimentation en eau pour les modèles équipés d'une machine à glaçons automatique.

## ATTENTION

N'INSTALLEZ PAS le réfrigérateur dans un endroit où la température descend en dessous de 13°C (55°F) ou monte au-dessus de 43°C (110°F). Sinon, le compresseur ne pourra pas maintenir la température appropriée à l'intérieur du réfrigérateur.

N'OBSTRUEZ PAS la grille de protection située dans la partie avant inférieure de votre réfrigérateur. Une bonne circulation d'air est essentielle pour que votre réfrigérateur fonctionne correctement.

## Installation

- Respectez les distances suivantes pour faciliter l'installation, assurer une circulation d'air appropriée et raccorder la plomberie et les branchements électriques :  
Côtés et dessus 9,5 mm (3/8 po)  
Arrière 25,4 mm (1 po)

## REMARQUE

Si votre réfrigérateur est positionné contre un mur sur le côté des charnières, vous devrez peut-être le distancer du mur pour permettre une plus grande ouverture de la porte.

## Ouverture de la porte

## REMARQUE

Les portes du réfrigérateur sont conçues pour se refermer d'elles-mêmes lorsqu'elles ont un angle de 20 degrés ou moins.

Votre réfrigérateur doit être placé près d'un comptoir de manière à vous permettre d'y déposer facilement la nourriture. Pour faciliter l'utilisation des bacs du réfrigérateur et des paniers du congélateur, placez le réfrigérateur de manière à permettre aux deux portes de s'ouvrir complètement.

## Directives pour la mise en place finale de votre réfrigérateur

- Les quatre coins de la caisse doivent reposer fermement sur le plancher.
- La caisse doit être de niveau à l'avant et à l'arrière.
- Les côtés doivent être inclinés de 6 mm (1/4 po) de l'avant vers l'arrière, pour que les portes ferment de façon appropriée et hermétiquement.
- Les portes doivent être alignées l'une sur l'autre et être de niveau.

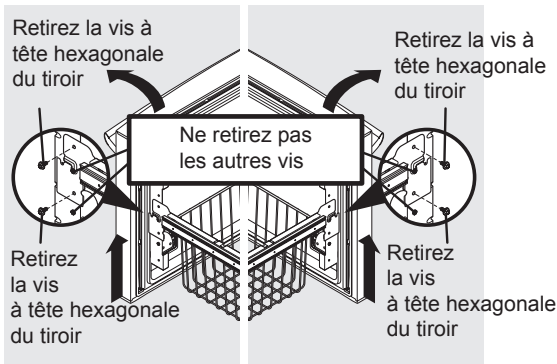
La plupart de ces conditions peuvent être satisfaites en soulevant ou en abaissant les roulettes avant réglables.

# INSTALLATION

## Mettre à niveau le tiroir du congélateur (si nécessaire)

### Pour mettre à niveau la tiroir du congélateur :

1. Vérifiez les joints d'étanchéité autour du tiroir du congélateur (en haut, en bas et sur les côtés).
2. Si un joint n'est pas étanche, ouvrez le tiroir et dévissez légèrement les quatre vis du tiroir (deux de chaque côté) pour permettre au tiroir de pivoter.
3. Fermez le tiroir et vérifiez de nouveau l'étanchéité du joint (A). Ouvrez le tiroir en l'empoignant par les côtés au centre (B). Faites attention de ne pas faire pivoter le tiroir.



4. Serrez bien les quatre vis du tiroir.
5. Vérifiez de nouveau les joints d'étanchéité.

Figure 10

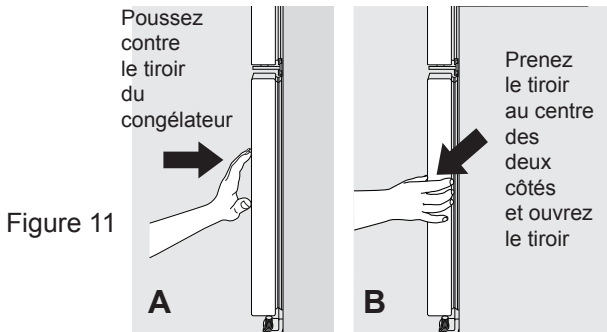


Figure 11

## Mettez à niveau le réfrigérateur et ajustez les portes (si nécessaire)

### Directives pour le positionnement final de votre réfrigérateur :

- Les quatre coins de la carrosserie doivent reposer fermement sur le plancher.
- Les côtés devraient être inclinés de 6 mm ( $\frac{1}{4}$  po) de l'avant à l'arrière (pour s'assurer que les portes se ferment hermétiquement et correctement).
- Les portes doivent être alignées et de niveau.

La plupart de ces conditions peuvent être résolues en levant ou en abaissant les roulettes avant ajustables.

### Pour mettre à niveau la carrosserie à l'aide des roulettes avant:

1. Ouvrez légèrement le tiroir du congélateur.
2. Enlevez la grille de protection.

Figure 13 : Enlevez les vis et tirez doucement vers l'avant.

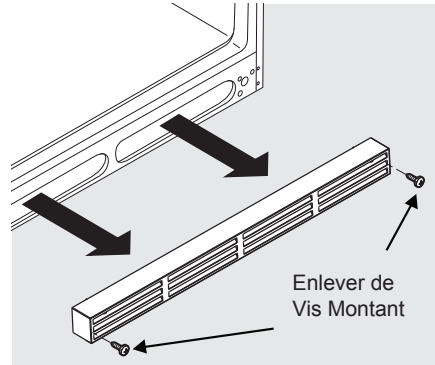


Figure 12

3. Vous pouvez lever ou abaisser chaque porte. Utilisez une clé à douilles de  $\frac{3}{8}$  po pour tourner les vis d'ajustement (1 de chaque côté).  
Pour lever : tournez la vis d'ajustement vers la droite.  
Pour abaisser : tournez la vis d'ajustement vers la gauche.
4. Assurez-vous que les deux portes ne soient pas liées à leurs joints qui touchent la carrosserie sur les quatre côtés et que la carrosserie soit stable.
5. Lorsque l'appareil est de niveau, abaissez la patte antibasculément jusqu'à ce qu'elle touche au sol.

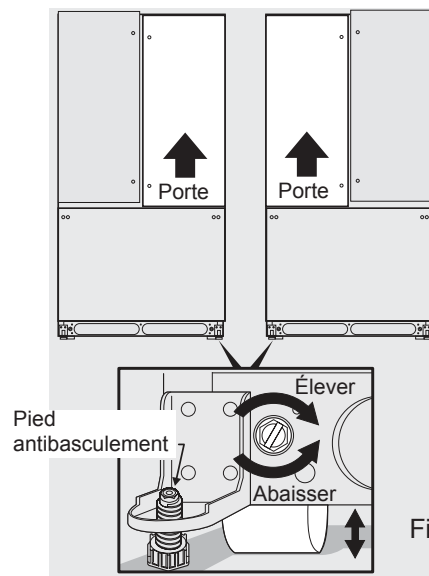


Figure 13

6. 6 Installez la grille de protection en l'insérant à sa place (en remettant les vis pour certains modèles).



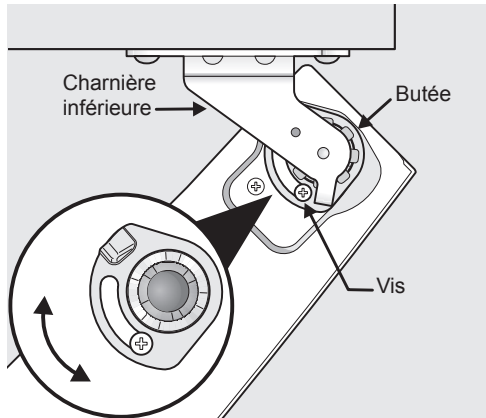
# INSTALLATION

## Ajustement de la butée :

La butée peut être ajustée entre 85 et 145 degrés.

## REMARQUE

Vue depuis le bas de la porte du réfrigérateur.



Butée de porte ajustable

Figure 14

5. Resserrez la vis.

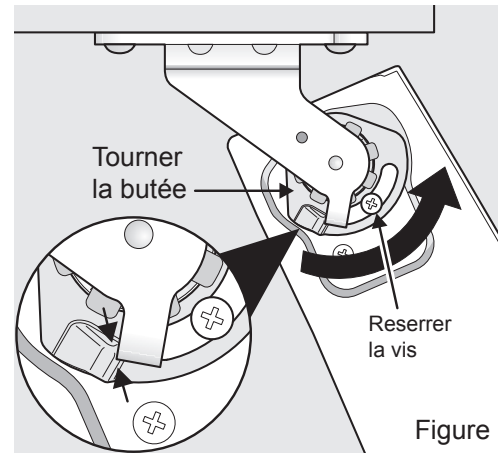


Figure 16

Resserrez la vis de pression

6. Vérifiez que la porte s'arrête à l'endroit voulu avant de remettre en service.

1. Ouvrez la porte afin d'accéder à la vis.
2. Desserrez la vis.
3. Ajustez la porte à l'emplacement voulu.

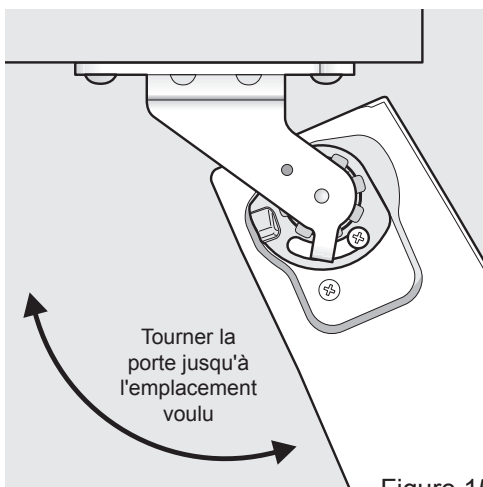


Figure 15

4. Tournez la butée jusqu'à ce qu'elle touche la charnière inférieure.

# INSTALLATION

## Ajustement du meneau basculant :

1. Desserrez la vis se trouvant sur la charnière du meneau basculant.

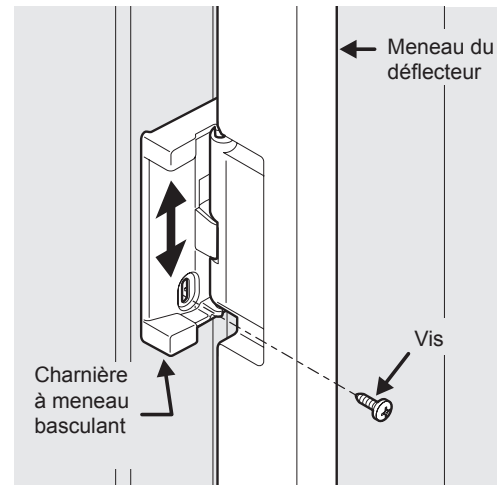


Figure 17

2. Ajustez la hauteur du meneau basculant. Pour obtenir un bon raccordement avec le guide du meneau basculant, l'écart devrait être de l'épaisseur d'une pièce de monnaie (1,5 mm ou 0,060 po) entre le guide et le meneau basculant.

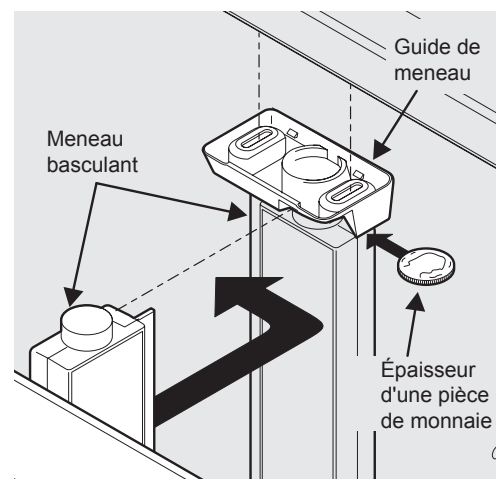


Figure 18

## Réglage de la hauteur du meneau basculant

3. Resserrez la vis.

# DÉPOSE DES PORTES

## Passage dans les espaces étroits

Si votre réfrigérateur ne passe pas par une entrée, vous pouvez retirer les portes. Vérifiez d'abord la dimension de la porte d'entrée.

### Pour préparer le retrait des portes :

1. Assurez-vous que la fiche du cordon d'alimentation est débranchée de la prise de courant.
2. Ouvrez la porte du congélateur et retirez la grille de protection (reportez-vous à la rubrique « Installation »).
3. Enlevez tous les aliments qui se trouvent dans les balconnets et fermez les portes.

### Pour enlever les couvre-charnières supérieurs :

1. Enlevez les deux vis de chaque couvre-charnière qui dissimule les charnières supérieures de la porte.
2. Soulevez le rebord intérieur du couvre-charnière et basculez vers l'arrière.

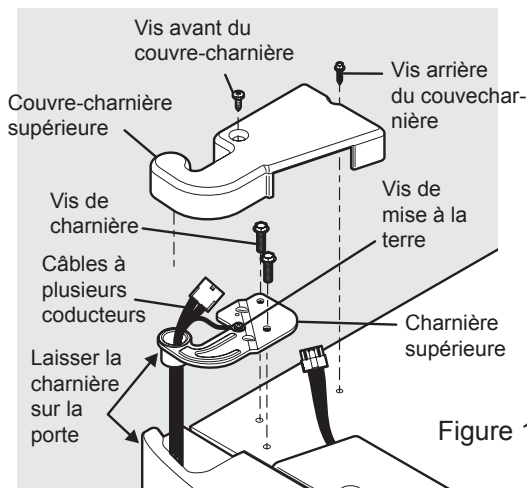


Figure 19

## REMARQUE

NE RETIREZ PAS la vis de mise à la terre de la charnière.

### Pour retirer les portes du réfrigérateur :

1. À l'aide d'un crayon, tracez légèrement le contour des charnières supérieures de la porte. Ceci facilitera la repose.

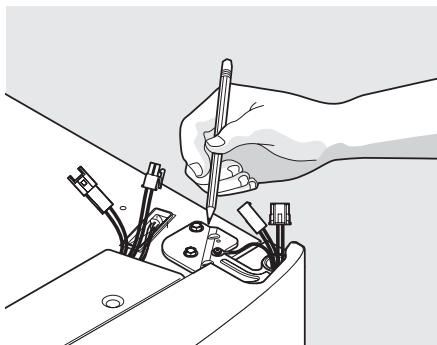


Figure 20

2. Déconnectez le faisceau électrique en saisissant fermement les deux côtés du connecteur, appuyez sur le loquet et séparez-les. Enlevez les deux vis de la charnière supérieure. Retirez la porte de la charnière, puis mettez-la de côté.

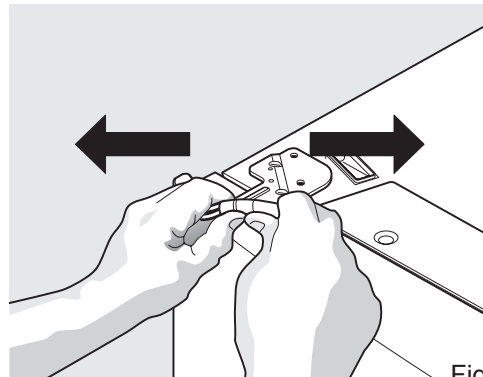


Figure 21

3. Si nécessaire, dévissez les trois vis de la charnière inférieure et la charnière.

Pour réinstaller la porte droite, suivez les étapes ci-dessus dans l'ordre inverse.

### Retrait de charnière inférieure

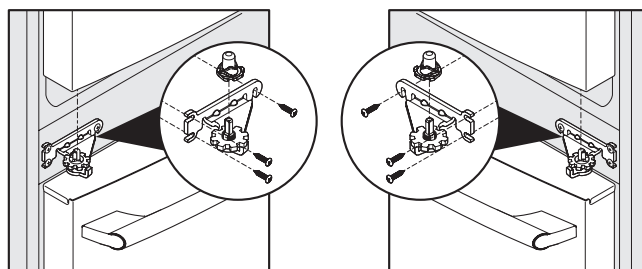


Figure 22

Une fois que les deux portes sont en place, assurez-vous qu'elles sont alignées l'une avec l'autre et qu'elles sont de niveau (veuillez vous reporter à la rubrique « Installation » pour plus de détails), puis remettez le cache-charnière supérieur.



## ATTENTION

Assurez-vous que les portes sont mises de côté dans une position sécuritaire, de sorte qu'elles ne puissent pas tomber et causer des blessures ni endommager les portes ou les poignées.

# DÉPOSE DES PORTES

## Retirez le tiroir du congélateur

1. Ouvrez le tiroir du congélateur
2. Retirez les vis du tiroir des côtés gauche et droit (deux vis de chaque côté).

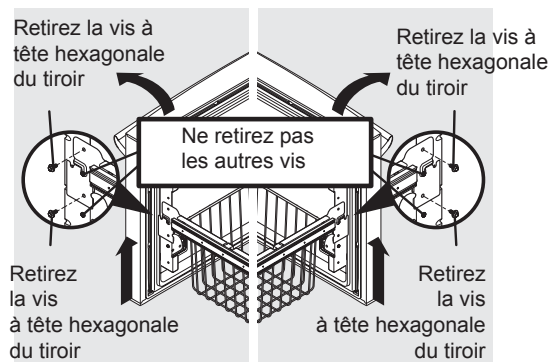


Figure 23

2. Replacez les quatre vis du tiroir (deux de chaque côté), serrez-les, puis fermez le tiroir (C).

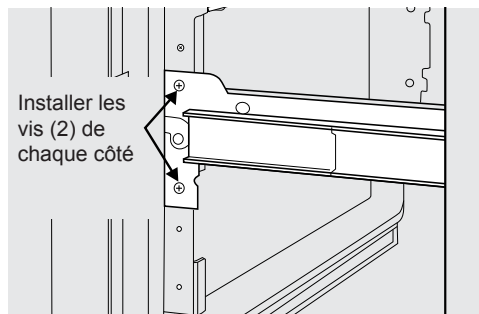


Figure 25

## REMARQUE

NE RETIREZ PAS la vis du milieu sur le tiroir du congélateur. Il s'agit d'un réglage d'usine.



## ATTENTION

Le tiroir est lourd. Faites attention lorsque vous le soulevez.

3. Vérifiez le joint d'étanchéité au haut, au bas et sur les côtés du tiroir du congélateur.
4. Si le joint ne ferme pas hermétiquement, ouvrez le tiroir et desserrez légèrement les 4 vis du tiroir (deux de chaque côté) pour permettre de faire pivoter le tiroir.
5. Fermez le tiroir et vérifiez de nouveau le joint d'étanchéité (A). Ouvrez le tiroir en le tirant par les côtés, au centre du tiroir (B). Faites attention de ne pas déplacer le tiroir.

3. Soulevez le tiroir et sortez-le.

## Installation du tiroir du congélateur

1. Tirez les glissières inférieures, puis placez le tiroir sur les supports des glissières en vous assurant que les tiges sont entièrement insérées dans les fentes situées de chaque côté.

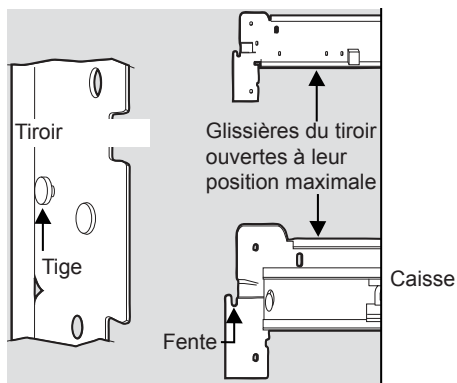


Figure 24

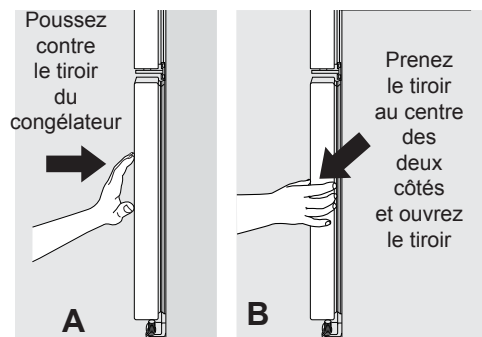


Figure 26

6. Serrez les quatre vis du tiroir.
7. Vérifiez de nouveau le joint d'étanchéité.
8. Installez la grille de protection.

# RACCORDER L'ALIMENTATION EN EAU



## AVERTISSEMENT

Pour éviter un choc électrique qui pourrait causer de graves blessures ou même la mort, coupez l'alimentation électrique du réfrigérateur avant de le raccorder à l'alimentation en eau.



## ATTENTION

### Pour éviter des dommages matériels :

- Il est recommandé d'utiliser une conduite en cuivre ou tressée en acier inoxydable pour l'alimentation en eau. L'utilisation d'un tube en plastique de 6,4 mm (¼ po) n'est pas recommandée. Un tube en plastique augmente grandement les risques de fuite d'eau et le fabricant n'est pas responsable des dommages causés par l'utilisation d'un tube en plastique pour l'alimentation en eau.
- N'INSTALLEZ PAS un tuyau d'alimentation en eau en plastique dans les régions où les températures descendent sous le point de congélation.
- Les produits chimiques provenant d'un adoucisseur qui fonctionne mal peuvent endommager la machine à glaçons. Si la machine à glaçons est raccordée à un adoucisseur, assurez-vous que ce dernier est entretenu adéquatement et qu'il fonctionne correctement.

## REMARQUE

Assurez-vous que votre conduite d'alimentation en eau est conforme aux codes de plomberie locaux.

### Avant d'installer l'alimentation en eau, vous aurez besoin :

- Des outils de base suivants : Une clé à molette, un tournevis à pointe plate et un tournevis PhillipsMC.
- Un accès à la canalisation d'eau froide domestique d'une pression située entre 30 et 100 lb/po<sup>2</sup>.
- Une conduite d'alimentation en eau en cuivre ou en acier inoxydable, d'un diamètre extérieur de 6,4 mm (¼ po). Pour déterminer la longueur de la conduite en cuivre nécessaire, vous devez mesurer la distance entre le robinet d'arrivée d'eau de la machine à glaçons derrière le réfrigérateur et la conduite d'eau froide. Puis, ajoutez approximativement 2,1 mètres (7 pieds) afin de pouvoir déplacer le réfrigérateur au moment du nettoyage (tel qu'illustré).
- Un robinet d'arrêt qui raccorde la conduite d'alimentation en eau à votre système de distribution d'eau domestique. N'UTILISEZ PAS de robinets d'arrêt de type auto-perceur.
- Ne pas réutiliser la bague de compression ou du ruban d'étanchéité pour joints filetés.
- Un écrou à compression et une bague (un raccord) pour raccorder la conduite d'alimentation en eau au robinet d'arrivée d'eau de la machine à glaçons.

## REMARQUE

Vérifiez auprès des autorités du bâtiment de votre région pour obtenir des recommandations relatives aux conduites d'eau et aux matériaux à utiliser avant d'installer votre nouveau réfrigérateur.

### Raccordement de l'alimentation en eau à l'arrivée du robinet d'eau de la machine à glaçons :

1. Débranchez le réfrigérateur de l'alimentation électrique.
2. Placez l'extrémité de la conduite d'alimentation en eau dans un évier ou un seau. OUVREZ l'alimentation en eau et laissez couler l'eau jusqu'à ce qu'elle soit claire. Fermez l'alimentation en eau à l'aide du robinet d'arrêt.
3. Dévissez le capuchon en plastique du robinet d'arrivée d'eau et jetez-le.
4. Si vous utilisez un tuyau en cuivre - Faites glisser l'écrou à compression en laiton, puis installez la bague (le raccord) sur la conduite d'alimentation en eau. Poussez la conduite en cuivre dans le robinet d'arrivée d'eau, aussi loin que possible (6,4 mm ou ¼ po). Faites glisser la bague (le raccord) dans le robinet et serrez à la main l'écrou à compression sur le robinet. Serrez d'un autre demi-tour à l'aide d'une clé; NE SERREZ PAS trop. Reportez-vous à la figure 27. Si vous utilisez un tuyau en acier inoxydable - L'écrou et la bague sont déjà installés sur le tuyau. Faites glisser l'écrou à compression sur l'entrée du robinet et serrez à la main l'écrou sur le robinet. Serrez d'un autre demi-tour à l'aide d'une clé; NE SERREZ PAS trop. Reportez-vous à la figure 28.
5. Fixez la conduite d'alimentation en eau (tuyau en cuivre seulement) au panneau arrière du réfrigérateur au moyen d'un collier en acier et d'une vis, comme illustré.
6. Enroulez l'excédent de la conduite d'alimentation (environ 2½ tours) derrière le réfrigérateur, tel qu'illustré, et placez cet excédent de sorte qu'il ne vibre pas ou qu'il ne s'use pas contre d'autres surfaces (tuyau en cuivre seulement).
7. OUVREZ le robinet d'arrêt de l'alimentation en eau et serrez toute connexion qui fuit.
8. Rebranchez le réfrigérateur.
9. Pour mettre la machine à glaçons en marche, abaissez le fil métallique du levier de signalisation (machine à glaçons du congélateur) ou placez le commutateur de Marche/Arrêt de la machine à glaçons en position de marche (machine à glaçon du réfrigérateur).

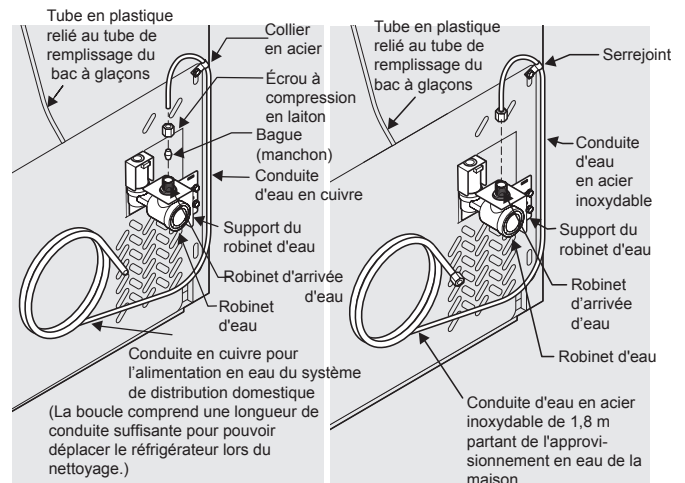


Figure 27

Figure 28

# COMMANDES

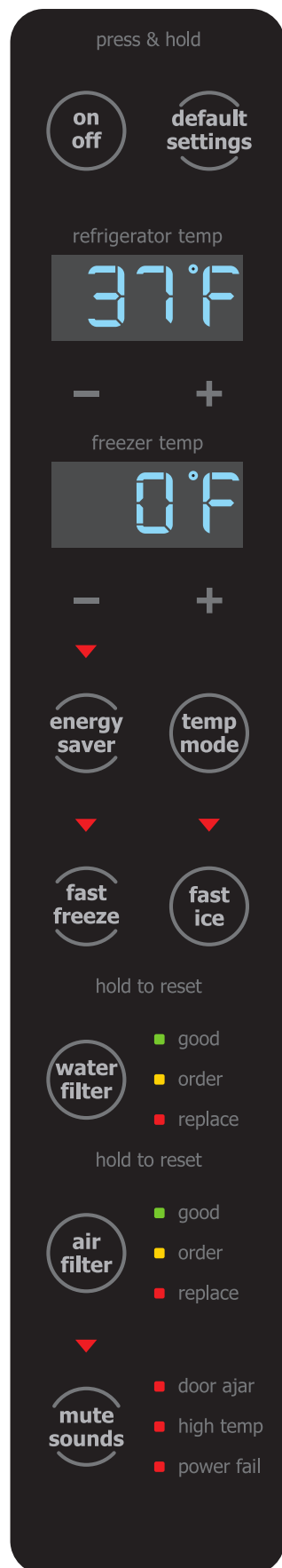


Figure 29

Un voyant rouge s'allume au-dessus de la fonction activée.

Appuyez sur l'icône correspondante pour activer les options ci-dessous.

## **fast freeze (congélation rapide)**

Active un cycle plus rapide de congélation des aliments.

## **fast ice (fabrication rapide de glaçons)**

Augmente la production de glaçons.

## **energy saver (économiseur d'énergie)**

Pour que la consommation énergétique soit minimale, la fonction « Energy Saver » doit être activée (lumière allumée). Si de la condensation se forme sur la caisse entre les portes, appuyez sur ce bouton pour éteindre la lumière et mettre en marche un générateur de chaleur électrique qui réduira la condensation présente sur la caisse entre les portes.

## **water filter (filtre à eau)**

Appuyez sur cette touche et maintenez-la enfoncée pendant trois secondes pour le réinitialiser après le changement de filtre.

## **air filter (filtre à air)**

L'état du filtre à air s'affiche lorsque la porte est ouverte. Appuyez sur cette touche et maintenez-la enfoncée pendant trois secondes pour le réinitialiser après le changement de filtre.

## **temp mode (mode de température)**

Appuyez sur cette touche pour passer du mode d'affichage en degrés Fahrenheit à celui en degrés Celsius, et vice-versa.

## **mute sounds (blocage du son)**

Les signaux sonores émis à chaque pression effectuée sur les touches peuvent être désactivés au choix de l'utilisateur. Le voyant rouge lumineux indique que les signaux sonores sont désactivés. Les signaux d'avertissement demeureront actifs.

## **default settings (réglages de l'usine)**

Restitue les valeurs définies en usine de tous les réglages du réfrigérateur (comme la température, l'affichage de la température, les alarmes, etc.).

## **on off (marche/arrêt)**

Appuyez sur cette touche et maintenez-la enfoncée pendant trois secondes pour éteindre le système de refroidissement afin de pouvoir nettoyer le réfrigérateur. L'activation de cette touche arrêtera également la machine à glaçons. L'affichage de la température indiquera « OFF » (arrêt).

## REMARQUE

Appuyer sur l'icône On/Off (marche/arrêt) ne coupe pas l'alimentation en électricité de votre réfrigérateur. Pour couper l'alimentation, vous devez débrancher le cordon d'alimentation de la prise murale.

## **Réglage des températures de refroidissement**

Appuyez sur les indicateurs « + » ou « - » pour ajuster la température au réglage désiré.

L'affichage de la température commencera à clignoter lorsque vous appuierez pour la première fois sur l'un ou l'autre des indicateurs. Après 10 secondes, l'afficheur revient à l'affichage de base.

## **Alarmes**

### **Door Ajar (porte entrouverte)**

Si la porte reste ouverte pendant une période prolongée, une alarme retentira et l'indicateur door ajar (porte entrouverte) apparaîtra au bas de l'afficheur du tableau de commande. L'alarme s'éteint lorsque la porte est fermée. La touche mute sounds (blocage du son) clignotera pour demander la réinitialisation des alarmes en fonction. Appuyez sur cette touche pour réinitialiser n'importe quelle alarme du système.

### **High Temp (température élevée)**

Si la température du réfrigérateur est élevée, l'affichage de la température clignotera et indiquera « HI » (élevé). Après 20 minutes, l'alarme se fera entendre et l'indicateur de température élevée (**high temp**) s'allumera en rouge au bas du tableau de commande. L'icône du blocage du son (**mute sounds**) restera allumée jusqu'à ce que vous appuyiez pour arrêter l'alarme; après quoi, la température la plus élevée atteinte s'affichera et le réfrigérateur reviendra à son mode de fonctionnement normal. Si l'alarme de température élevée n'est pas arrêtée après avoir retenti pour la première fois, cette alarme se fera de nouveau entendre lorsque vous ouvrirez la porte du réfrigérateur.

### **Power Fail (panne d'électricité)**

Si une panne d'électricité survient, l'indicateur d'alerte power fail (panne d'électricité) apparaîtra et l'affichage de la température clignotera jusqu'à ce que vous appuyiez sur l'icône mute sounds (blocage du son) pour désactiver l'alarme. Les autres modes peuvent être désactivés avant que l'alarme ne le soit. L'indicateur d'alerte POWER FAIL (Panne d'électricité) s'éteint et le réfrigérateur revient à son mode de fonctionnement normal. Il se peut que l'alarme HIGH TEMP (Température élevée) soit aussi allumée jusqu'à ce qu'une température de fonctionnement sécuritaire soit atteinte.

# COMMANDES

## Mode sabbat

Le mode sabbat est une fonction qui permet de désactiver certaines parties du réfrigérateur et les commandes des modèles à technologie commande électronique afin de se conformer aux rites du sabbat hebdomadaire et des autres fêtes religieuses de la communauté juive orthodoxe.

Il est possible d'ACTIVER ou de DÉACTIVER le mode sabbat en appuyant et en tenant enfoncées la touche « - » de la commande de température du congélateur et la touche « + » de la commande de température du réfrigérateur pendant cinq secondes. L'afficheur indique « Sb » lorsque le réfrigérateur est en mode sabbat.

En mode sabbat, l'alarme de température élevée (High Temp) est activée pour des raisons de santé. Si l'alarme de température élevée se déclenche pendant l'utilisation de ce mode, par exemple, en raison d'une porte restée ouverte, l'alarme sonnera de façon intermittente pendant environ deux minutes. L'alarme s'arrêtera d'elle-même et l'icône rouge indiquant une température élevée s'affichera. L'icône de température élevée continuera de s'afficher, même si la porte est fermée, jusqu'à ce que vous quittez le mode sabbat et que vous réinitialisiez l'icône. Le réfrigérateur fonctionnera normalement dès que la porte sera fermée, sans aucune violation du code du sabbat ou des fêtes.

## REMARQUE

En mode sabbat, ni l'éclairage, ni la distributrice, ni le tableau de commande ne fonctionnera si le mode sabbat est désactivé.

Le réfrigérateur reste en mode sabbat après une panne d'électricité. Il doit être désactivé par les boutons sur le tableau de commande.

## REMARQUE

En mode sabbat, la machine à glaçons est désactivée par le tableau de commande principal.

## Mode sabbat et tiroir Select Temp

Le tiroir Select Temp devrait être désactivé pendant le sabbat et la période des fêtes. Avant d'activer le mode sabbat, désactivez le tiroir Select Temp en appuyant sur la touche on/off (marche/arrêt) du tiroir. L'afficheur indique « OFF » (arrêt) et le tiroir se désactive. Activez ensuite le mode sabbat sur l'afficheur principal du réfrigérateur. Reportez-vous à la section « Mode sabbat ».

En mode Sabbat, l'écran ne s'illuminera pas et le tiroir restera éteint. Le tiroir peut toujours être utilisé comme tiroir à température non contrôlée. Lorsque le mode sabbat est désactivé, le tiroir Select Temp devra être réactivé.

## REMARQUE

Si le tiroir Select Temp n'est pas activé avant de mettre l'appareil en mode sabbat, il continuera à s'ajuster afin de maintenir le point de réglage même si l'écran ne s'allume pas pour montrer qu'il est toujours activé.

# DISTRIBUTEUR D'EAU ET DE GLAÇONS AUTOMATIQUE

## Utilisation et entretien de la machine à glaçons

Une fois que le réfrigérateur a été installé correctement, la machine à glaçons commence à produire de la glace après 24 heures. Elle peut remplir complètement le bac à glaçons en trois jours environ.

Pour vous assurer que la machine à glaçons fonctionne correctement lorsque vous l'utiliserez pour la première fois, il est nécessaire de retirer l'air du tuyau du filtre à eau. Lorsque la machine à glaçons commence à produire de la glace, faites-lui remplir DEUX fois le bac à glaçons et jetez le contenu. Il faudra au moins deux jours pour remplir complètement le bac à glaçons en mode de fabrication normal et 1½ jour en mode de fabrication rapide (fast ice).

La machine à glaçons produit environ 1,8 kilo (4 livres) de glace toutes les 24 heures, selon le mode de fabrication utilisé.

## REMARQUE

La machine à glaçons est ajustée en position de marche à l'usine pour qu'elle puisse fonctionner dès que votre réfrigérateur est installé. Si vous ne pouvez raccorder l'appareil à un système d'alimentation en eau, mettez l'interrupteur ON/OFF (marche/arrêt) de la machine à glaçons à OFF (arrêt). Sinon, il se peut que le robinet de remplissage de la machine à glaçons émette un fort bruit lorsqu'il essaiera de fonctionner sans eau.

## Mise en marche et arrêt de la machine à glaçons

La fabrication de glaçons est commandée en montant ou en abaissant la manette de la machine à glaçons. Pour accéder à la machine à glaçons, retirez le tiroir du congélateur. Soulevez la manette pour mettre la machine à glaçons en position OFF (arrêt) et abaissez-la pour la mettre en position ON (marche).

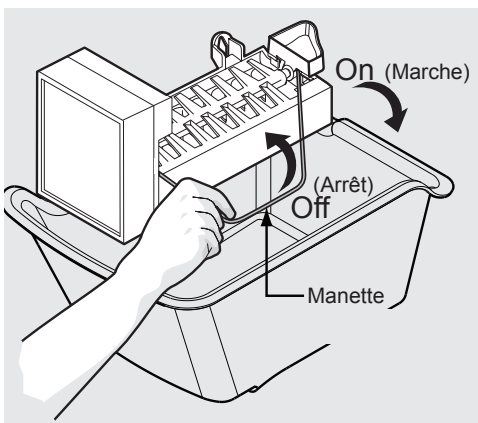


Figure 30

## Conseils sur la production de glaçons

- Si votre réfrigérateur n'est pas raccordé à une alimentation en eau ou si l'alimentation en eau est coupée, arrêtez la machine à glaçons en soulevant la manette de marche/arrêt.

- Certains bruits de fonctionnement sont normaux. Ils sont produits par :
  - Le fonctionnement du moteur
  - Les glaçons qui tombent dans le bac
  - Le robinet d'eau qui s'ouvre ou se ferme
  - L'eau qui coule
- Les glaçons conservés trop longtemps peuvent développer un goût douteux. Videz le bac à glaçons, tel qu'expliqué ci-dessous.

## Fonction Fast Ice (fabrication rapide de glaçons)

Votre réfrigérateur est muni d'une fonction de fabrication rapide de glaçons « intelligente » qui permet, lorsqu'elle est activée, d'augmenter la vitesse de production des glaçons. Si vous ne désirez pas utiliser cette fonction, il n'est pas nécessaire de la désactiver; votre réfrigérateur fonctionnera en mode normal.



## ATTENTION

Si l'eau de l'alimentation de votre réfrigérateur est adoucie, assurez-vous que l'adoucisseur est entretenu et fonctionne correctement. Les produits chimiques provenant d'un adoucisseur peuvent endommager la machine à glaçons.

## Nettoyage de la machine à glaçons

Nettoyez la machine à glaçons et le bac à glaçons à intervalles réguliers, surtout pendant les vacances ou lors d'un déménagement.

1. Mettez la machine à glaçons en position d'arrêt.
2. Enlevez le bac à glaçons.
3. Videz et nettoyez soigneusement le bac à glaçons à l'aide de détergent doux. N'utilisez pas de nettoyeurs puissants ou abrasifs. Rincez à l'eau claire.
4. Laissez le bac à glaçons sécher complètement avant de le remettre dans le congélateur.
5. Remettez le bac à glaçons en place. Réactivez la machine à glaçons.

Enlevez et videz le bac à glaçons si :

- Une panne de courant prolongée (une heure ou plus) fait que les glaçons ont fondu dans le bac à glaçons et qu'ils se sont soudés ensemble.

Enlevez le bac à glaçons et secouez-le pour libérer les glaçons ou nettoyez-le comme il est expliqué ci-dessus.



## ATTENTION

N'UTILISEZ JAMAIS de pic à glace ni d'instrument pointu du même genre pour détacher les glaçons. Ceci pourrait endommager le bac à glaçons.

Utilisez de l'eau tiède pour libérer des glaçons coincés. Avant de reposer le bac à glaçons, assurez-vous qu'il est bien sec.



# CARACTÉRISTIQUES DE RANGEMENT

## Caractéristiques des clayettes



**ATTENTION**

Pour éviter les blessures provoquées par des clayettes en verre trempé cassées, manipulez celles-ci soigneusement.

Votre réfrigérateur comporte des clayettes en verre conçues pour retenir les renversements accidentels.

Vous pouvez facilement ajuster la position des clayettes dans les compartiments d'aliments frais, selon vos besoins. Les clayettes possèdent des supports qui se montent dans les fentes des rails situés à l'arrière de chaque compartiment.

Pour changer la position d'une clayette :

1. Avant de régler la position d'une clayette, enlevez tous les aliments qui s'y trouvent.
2. Soulevez le devant de la clayette et retirez-la.
3. Remettez la clayette en place en insérant les crochets des supports dans les fentes désirées des rails.
4. Abaissez la clayette et verrouillez-la en place.

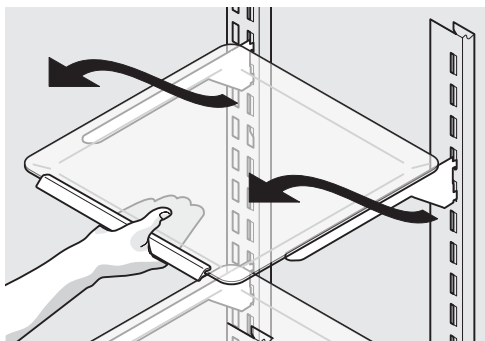


Figure 31

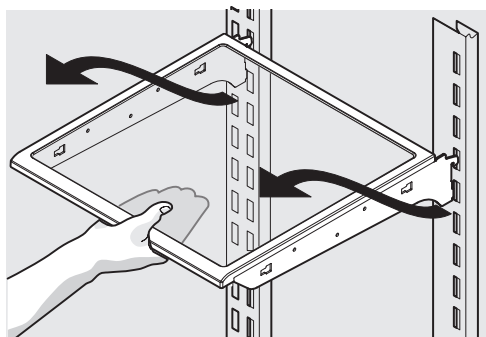


Figure 32

## Tiroirs

Votre réfrigérateur comprend une variété de tiroirs de rangement. Ces tiroirs sont normalement situés à des endroits fixes dans le bas du compartiment réfrigérateur.

## Bacs à fruits et à légumes

Les bacs à fruits et à légumes permettent le rangement des fruits, des légumes et d'autres produits frais.

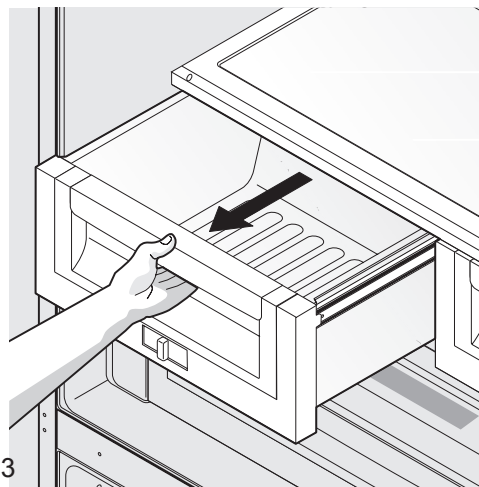


Figure 33

Ouverture des bacs à fruits et à légumes

## Contrôle d'humidité des bacs à fruits et à légumes

Chaque bac à fruits et à légumes comporte un réglage coulissant permettant de contrôler l'humidité à l'intérieur du bac. Les légumes à feuilles se conserveront plus longtemps en réglant le niveau d'humidité à son maximum. Les fruits frais se conserveront plus longtemps en réglant le niveau d'humidité à son minimum.

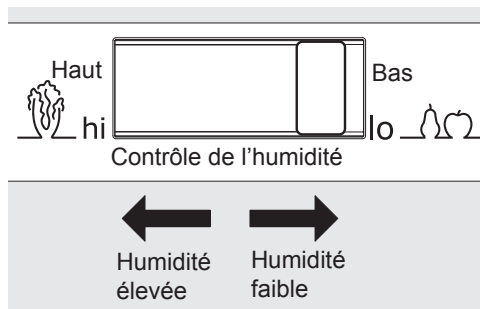


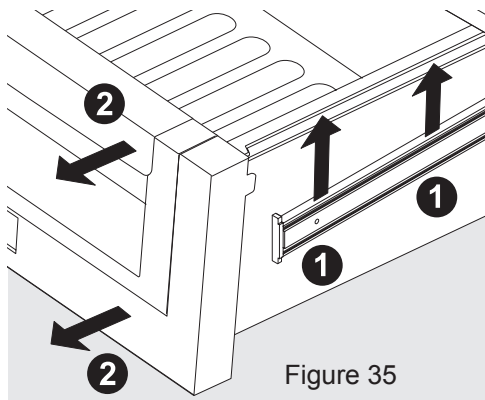
Figure 34

Réglage de l'humidité dans les bacs à fruits et à légumes

## CARACTÉRISTIQUES DE RANGEMENT

### Retrait des bacs à fruits et à légumes pour le nettoyage :

1. Sortez le tiroir jusqu'au bout.
2. Soulevez légèrement l'avant du bac à fruits et à légumes, puis retirez-le.



Retrait des bacs à fruits et à légumes

Figure 35

### Étagère pour articles spéciaux

La conception novatrice de l'étagère pour articles spéciaux vous permet d'y ranger quatre bouteilles de vin ou de boisson gazeuse.

### Étagère pour articles spéciaux

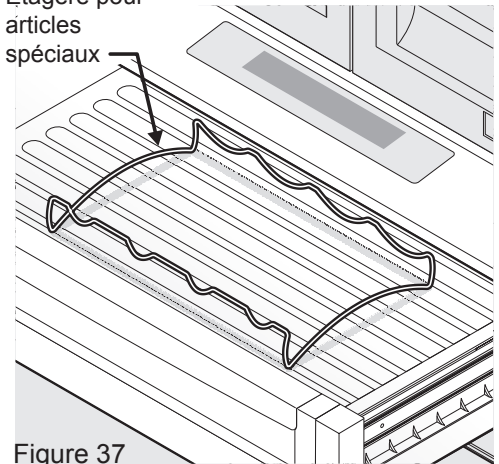


Figure 37

### Zone de refroidissement

Certains modèles sont équipés d'un tiroir garde-viande permettant de conserver la viande pendant une courte durée. Ce tiroir comporte un mécanisme coulissant qui permet de contrôler l'humidité à l'intérieur du tiroir.

Toute viande devant être conservée plus de deux jours doit être congelée. Si vous conservez des fruits ou des légumes dans ce tiroir, mettez le réglage à un taux d'humidité plus élevé.

### Tiroir Select Temp

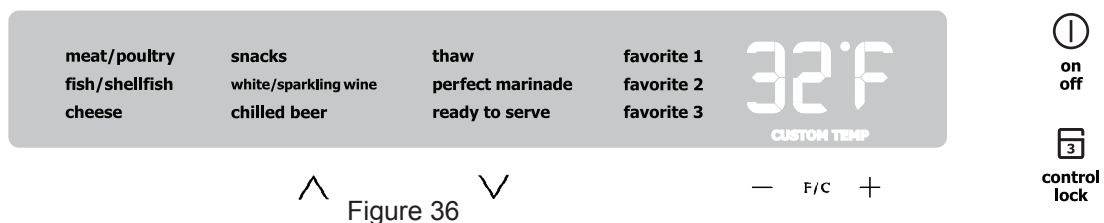


Figure 36

Le tiroir Select Temp est conçu pour conserver les aliments à une température précise soit plus fraîche, plus chaude ou la même que le compartiment à aliments frais. Le réglage de décongélation maintient une température pour décongeler des aliments pendant 12 heures. À la fin de cette période, il passe ensuite au réglage mixte pour conserver les aliments décongelés.

### Fonctionnement :

1. Pour activer et désactiver, appuyez sur la touche On/Off (marche/arrêt) du tiroir. L'affichage numérique indique une température entre 2,2°C (28°F) et 5,6°C (42°F) lorsqu'il est activé. Lorsqu'il est désactivé, il affiche OFF (arrêt).
2. Appuyez sur F/C si vous préférez un affichage en degrés Fahrenheit « F » ou Celsius « C ».
3. Appuyez sur les touches de défilement vers le haut ou vers le bas pour surligner l'élément désiré.
4. Une fois le choix fait, la température du tiroir sera ajustée et maintenue selon le réglage choisi.
5. Lorsque désactivé, le tiroir Select Temp fonctionne comme un bac à viande normal. Le tiroir Select Temp convient mieux pour les produits emballés. Il est préférable de conserver les légumes feuillus et les fruits non emballés dans l'un des deux bacs à légumes.
6. Les trois sélections préférées offrent la flexibilité pour choisir le réglage et la température de conservation. La température est réglée vers le haut en appuyant sur la touche + ou vers le bas en appuyant sur la touche -. Le tiroir mémorise la température sélectionnée jusqu'à ce qu'elle soit modifiée.

7. Les touches de commande peuvent être verrouillées pour empêcher toute modification accidentelle. Pour ce faire, appuyez sur la touche control lock (verrouillage des commandes) et maintenez-la enfoncée pendant trois secondes. Désactivez en appuyant à nouveau pendant trois secondes.

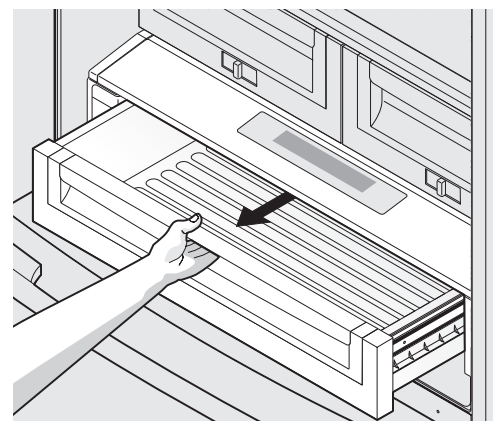


Figure 38 Ouverture du tiroir

## CARACTÉRISTIQUES DE RANGEMENT

### REMARQUE

NE NETTOYEZ PAS la zone d'affichage du tiroir Select Temp avec des nettoyeurs abrasifs ou corrosifs. Essayez au moyen d'une éponge humide.

### ATTENTION

Le tiroir Select Temp et son couvercle peuvent être retirés aux fins de nettoyage (le tableau de commande fixé sur le côté droit du réfrigérateur ne peut pas être enlevé). N'immergez pas le couvercle du tiroir Select Temp dans l'eau et ne le mettez pas dans le lave-vaisselle. Nettoyez avec un linge humide ou une éponge.

#### Retrait du tiroir Select Temp pour le nettoyer :

1. Sortez le tiroir jusqu'au bout.
2. Soulevez légèrement l'avant du bac à fruits et à légumes, puis retirez-le.

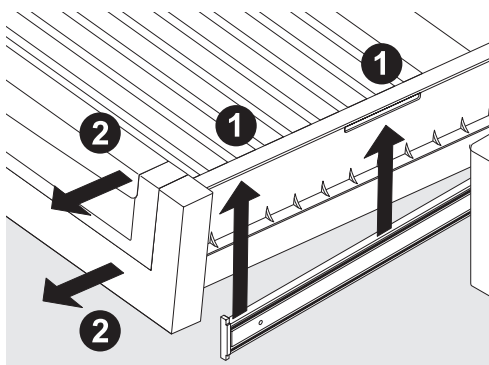


Figure 39 Retrait du tiroir

### REMARQUE

Lorsque le réfrigérateur est arrêté en appuyant sur la touche d'alimentation principale commande électronique, le tiroir Select Temp sera également désactivé. Lorsque le réfrigérateur est à nouveau activé, le tiroir Select Temp reprendra son fonctionnement au réglage de température sélectionné avant l'arrêt du réfrigérateur.

#### Portes

##### Balconnets

Les portes du compartiment d'aliments frais utilisent un système de balconnets modulaires. Tous ces balconnets peuvent être enlevés pour faciliter le nettoyage. Certains ont une position fixe, d'autres peuvent être réglés selon vos besoins.

Les balconnets peuvent contenir des pots, des bouteilles, des canettes et de grosses bouteilles de boisson. Ils permettent aussi une sélection facile des articles utilisés fréquemment.

#### Pour changer la position d'un balconnet réglable :

1. Avant de régler un balconnet, enlevez tous les aliments.

2. Agrippez fermement le balconnet avec les deux mains et soulevez-le.
3. Enlevez le balconnet.
4. Placez le balconnet juste au-dessus de la position désiré.
5. Abaissez le balconnet sur ses supports jusqu'à ce qu'il se verrouille en place.

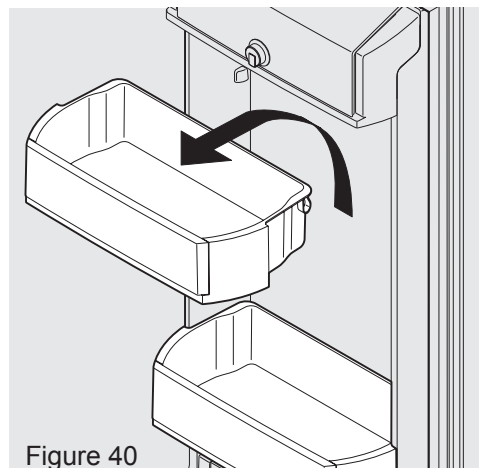


Figure 40

#### Accessoires

##### Support à canettes

Le support à canettes permet de ranger efficacement et de façon sécuritaire jusqu'à huit canettes de 355 mL (12 oz).

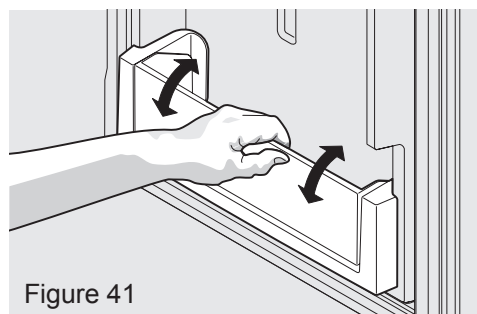


Figure 41

##### Support à canettes

##### Balconnet fermé

Utilisez le compartiment des produits laitiers, situé dans le haut de la porte du compartiment réfrigérateur, pour le rangement temporaire du fromage, des pâtes à tartiner ou du beurre. Le compartiment des produits laitiers est conçu pour être moins froid que la zone de rangement ouverte et comporte un couvercle rabattable pouvant être verrouillé ainsi qu'un séparateur de produits laitiers (certains modèles).

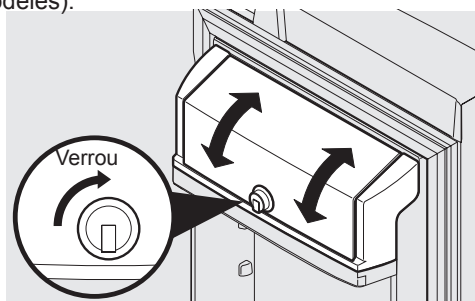


Figure 42

##### Balconnet fermé

# CARACTÉRISTIQUES DE RANGEMENT

## Fonctions du congélateur

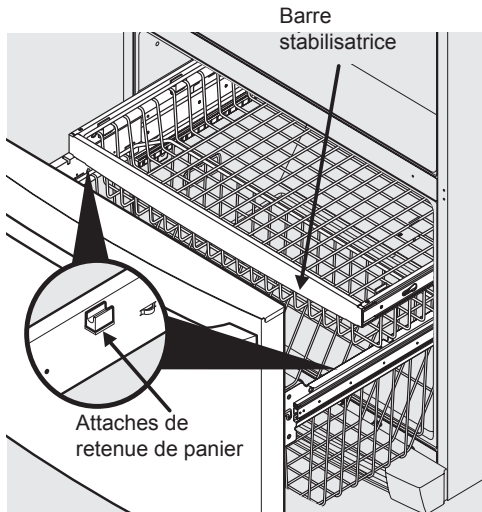


Figure 43  
Les deux paniers du congélateur

### Retrait du panier supérieur

1. Retirez tous les articles du panier.
2. Retirez le panier en le tirant jusqu'au bout, puis en le soulevant.

Pour reposer le panier supérieur, placez-le sur les fixations en vous assurant que l'avant du panier repose sur les fixations de la barre stabilisatrice.

### Clayette basculante métallique

La clayette basculante métallique du congélateur (située à l'intérieur du tiroir du congélateur) n'est pas conçue pour être retirée.

### Retrait des séparateurs

Soulevez l'avant du séparateur supérieur et retirez-le.

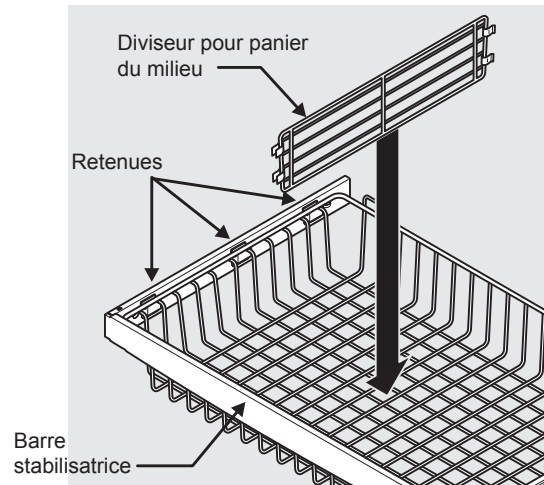


Figure 45  
Séparateur supérieur du panier

Soulevez l'arrière du séparateur inférieur et retirez-le.

## REMARQUE

Si le panier ne repose pas sur les fixations de la barre stabilisatrice, le tiroir ne fermera pas correctement.

### Retrait du tiroir inférieur

1. Retirez tous les articles du panier.
2. Retirez le panier en le basculant vers l'avant et en le soulevant des fixations.

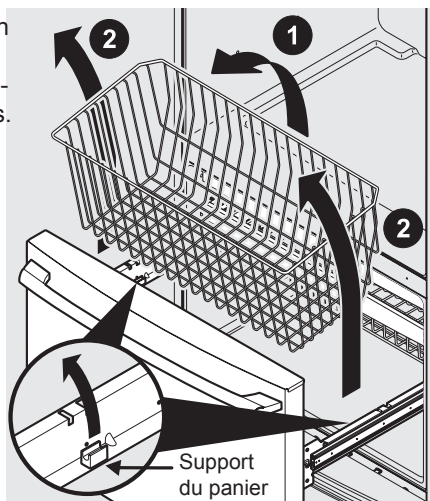


Figure 44  
Retrait du panier inférieur

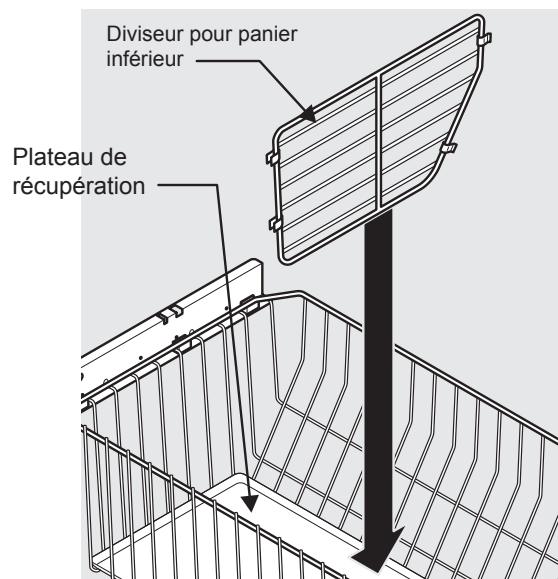


Figure 46  
Séparateur du panier inférieur et plateau de récupération

## REMARQUE

Le plateau de récupération doit être lavé à la main dans de l'eau tiède.

Pour reposer le panier inférieur, insérez le panier sur les fixations.

# CONSERVATION DES ALIMENTS ET ÉCONOMIE D'ÉNERGIE

## Conseils pour la conservation des aliments

### Conservation des aliments frais

- Conservez le compartiment réfrigérateur à une température située entre 1,1°C et 4,4°C (34°F et 40°F), la température optimale étant de 2,8°C (37°F).
- Évitez de surcharger les clayettes du réfrigérateur, car cela réduit la circulation de l'air et entraîne un refroidissement inégal.

### Fruits et légumes

- Rangez les fruits et les légumes dans les bacs qui leur sont destinés, car l'humidité y est conservée, ce qui aide à garder la qualité de ces aliments pour longtemps.
- Lavez les articles et retirez l'excès d'eau.
- Les aliments à degré d'humidité élevé ou ayant une forte odeur doivent être enveloppés avant d'être rangés.

### Viande

- Enveloppez séparément et soigneusement les viandes crues et la volaille afin de prévenir les fuites et la contamination des autres aliments ou des surfaces de l'appareil.
- Utilisez le tiroir à charcuterie ou le tiroir Select Temp et réglez en fonction d'une conservation à court terme de la viande et de la volaille. Toute viande devant être conservée plus de deux jours doit être congelée.

### Conservation des produits surgelés

- Conservez le compartiment congélateur à une température égale ou inférieure à -17,8°C (0°F).
- Le congélateur fonctionne de manière plus efficace lorsqu'il est rempli au moins au 2/3.

### Emballage des aliments pour la congélation

- Pour minimiser la déshydratation des aliments et leur détérioration, utilisez du papier d'aluminium, de la pellicule pour congélation, des sacs de congélation ou des récipients étanches. Retirez autant d'air que possible des emballages et fermez-les de manière hermétique. L'air enfermé peut provoquer la déshydratation, le changement de couleur et donner mauvais goût aux aliments (brûlures de congélation).
- Enveloppez les viandes et les volailles fraîches dans une pellicule conçue pour la congélation avant de les congeler.
- Ne faites pas recongeler de la viande qui a été complètement décongelée.

## Chargement du congélateur

- Avant de faire vos provisions, activez la fonction « fast freeze » (congélation rapide) afin de pouvoir congeler rapidement vos nouveaux achats destinés pour le congélateur.
- L'activation de la fonction « fast freeze » (congélation rapide) aide aussi votre congélateur à maintenir plus efficacement la température choisie en mettant les nouveaux achats avec des aliments déjà congelés.
- Évitez d'ajouter trop d'aliments chauds en même temps dans le congélateur. Ceci surcharge le congélateur, ralentit la vitesse de congélation et peut faire augmenter la température des aliments congelés.
- Laissez de l'espace entre les emballages pour que l'air circule librement, ce qui permettra aux aliments de congeler le plus rapidement possible.

## Conseils pour l'économie d'énergie

### Installation

- Placez le réfrigérateur dans l'endroit le plus froid de la pièce, éloigné de la lumière du soleil et des conduits de chauffage ou des bouches de chaleur.
- Ne le placez pas près d'une cuisinière, d'un four ou d'un lave-vaisselle. Si cela n'est pas possible, ajoutez une planche ou une couche d'isolation entre les deux appareils pour aider le réfrigérateur à fonctionner plus efficacement et de façon plus économique.
- Mettez le réfrigérateur à niveau pour que les portes se ferment bien.

### Réglage de la température

- Reportez-vous à la section « Commandes » de ce guide pour connaître les procédures à suivre pour le réglage de la température.

### Conservation des aliments

- Ne surchargez pas le réfrigérateur et ne bloquez pas les sorties d'air froid. Sinon, le réfrigérateur devra fonctionner plus longtemps et utiliser plus d'énergie.
- Recouvrez les aliments et essuyez les contenants avant de les placer au réfrigérateur. Vous réduirez ainsi la formation de condensation à l'intérieur de l'appareil.
- Organisez votre réfrigérateur afin de l'ouvrir le moins souvent possible. Faites en sorte que vous puissiez prendre plusieurs articles en même temps et refermez la porte aussitôt que possible.
- Ne mettez pas un contenant chaud directement sur une clayette froide. N'oubliez pas qu'un tel changement de température peut endommager le verre.

## BRUITS D'UN FONCTIONNEMENT NORMAL

### Pour comprendre les bruits que vous entendez

Votre nouveau réfrigérateur de haute efficacité peut émettre des sons qui ne vous sont pas familiers. Ces bruits indiquent habituellement que votre réfrigérateur fonctionne correctement. Certaines surfaces sur le plancher, les murs et les armoires de cuisine peuvent rendre ces sons plus distincts.

On trouvera ci-dessous une liste des principaux composants de votre réfrigérateur et des sons qu'il peut émettre :

- A. Évaporateur** Le déplacement du réfrigérant dans l'évaporateur risque d'entraîner un gargouillement ou un bruit d'ébullition.
- B. Ventilateur de l'évaporateur** Vous pouvez entendre le déplacement d'air produit par le ventilateur de l'évaporateur à travers le réfrigérateur.
- C. Élément chauffant de dégivrage** Pendant les cycles de dégivrage, l'eau qui s'écoule sur l'élément chauffant peut provoquer un sifflement ou un bref crépitement. Après le dégivrage, un bruit sec peut se produire.
- D. Machine à glaçons automatique** Lorsque les glaçons sont produits, vous pouvez les entendre tomber dans le bac à glaçons. Le ventilateur de la machine à glaçons, la mise en marche du robinet d'eau et le fluide frigorigène peuvent émettre des sons pendant leur fonctionnement.
- E. Commandes électroniques et commandes du dégivrage automatique** Ces pièces peuvent produire un claquement ou un clic lorsqu'elles arrêtent ou mettent en marche le système de refroidissement.
- F. Ventilateur du condenseur** Vous pouvez entendre le déplacement d'air acheminé au condenseur.
- G. Compresseur** Les compresseurs modernes de haute efficacité fonctionnent plus rapidement que les anciens modèles. Ils peuvent émettre une vibration ou un bourdonnement aigu.
- H. Robinet d'eau** Émet un bourdonnement chaque fois qu'il s'ouvre pour remplir la machine à glaçons.
- I. Plateau de dégivrage (inamovible)** Vous pouvez entendre les gouttes d'eau tomber dans le plateau de dégivrage pendant le cycle de dégivrage.
- J. Condenseur** Peut émettre de faibles sons provoqués par le passage de l'air.
- K. Le volet motorisé du tiroir Select Temp** Peut produire un léger bourdonnement pendant qu'il fonctionne.
- L. Palette de distribution de la machine à glaçons** Lorsque vous utiliserez le distributeur à glaçons, vous entendrez un bruit de claquement ou un clic lorsque le solénoïde ouvrira et fermera la glissière à glaçons.
- M. Volet motorisé** Peut produire un léger ronronnement pendant son fonctionnement.

- N. Ventilateur du tiroir Select Temp** S'éteint lorsque la porte s'ouvre ou que le tiroir Select Temp est fermé.

### REMARQUE

La mousse écoénergétique de votre réfrigérateur n'isole pas des sons.

### REMARQUE

Pendant le cycle de dégivrage automatique, une lueur rouge à l'arrière des événements muraux de votre congélateur est normale.

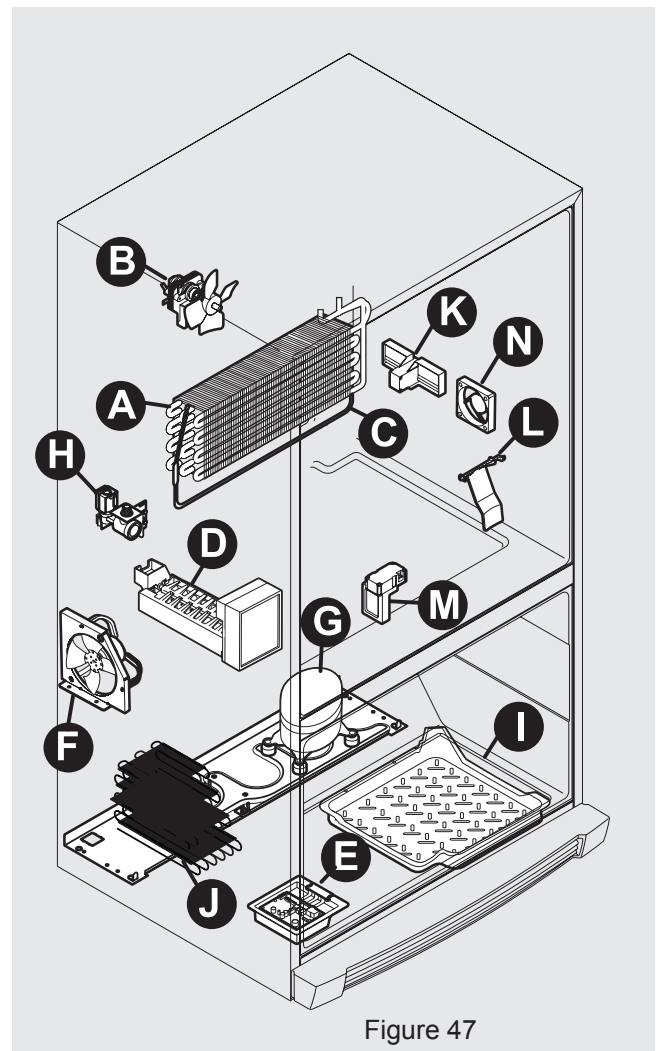


Figure 47

## REPLACEMENT DES FILTRES À EAU ET À AIR

Votre réfrigérateur est équipé d'un système de filtration pour l'eau et d'un autre pour l'air. L'eau servant à la production de glaçons et entièrement filtrée par le système de filtration de l'eau. Le filtre à air enlève les odeurs et les impuretés présentes dans le réfrigérateur.

### REMARQUE

Le tableau de commande comporte des commandes permettant de surveiller l'état des filtres à eau et à air. Veuillez vous reporter à la rubrique Commandes pour de plus de détails.

#### Pour en savoir plus sur votre filtre à eau perfectionné



Le système de filtration pour la glace et l'eau a été testé et est certifié ANSI/NSF selon les normes 42 et 53 concernant la réduction des allégations spécifiées sur la fiche de performances.

N'utilisez pas ce filtre avec de l'eau qui présente des dangers microbiologiques ou dont la qualité est inconnue sans qu'elle ne soit d'abord désinfectée avant ou après son entrée dans le système. Les systèmes certifiés pour la réduction des spores peuvent être utilisés pour de l'eau désinfectée pouvant contenir des spores filtrables.

- Capacité nominale : 1 514 litres (240 gallons)
- Débit nominal d'utilisation - 1,9 L (0,5 gallon) par minute
- Pression maximale d'utilisation - 100 lb/po<sup>2</sup>
- Pression de fonctionnement minimale recommandée : 30 lb/po<sup>2</sup>
- Température de fonctionnement : Min. 0,5°C (33°F), max. 37,8°C (100°F)

#### Filtre à eau

Le filtre à eau se trouve dans la partie inférieure gauche du compartiment réfrigérateur.

#### Remplacement du filtre à eau

En général, vous devriez changer le filtre à eau tous les six mois pour assurer la plus haute qualité d'eau possible. Le témoin indiquant l'état du filtre à eau situé sur le panneau tactile s'allumera tous les six mois pour vous indiquer de remplacer le filtre. Le rendement du témoin d'état du filtre à eau dont est muni cet appareil n'a pas été testé ou certifié par la NSF.

Si votre réfrigérateur n'a pas été utilisé pendant une longue période (pendant un déménagement par exemple), changez le filtre avant de réinstaller votre réfrigérateur.

Il n'est pas nécessaire de couper l'eau pour changer le filtre. Soyez prêt à essuyer toute petite quantité d'eau qui serait libérée pendant le remplacement du filtre.

1. Appuyez sur le bouton de dégagement du filtre situé au-dessus la cartouche pour le débrancher.

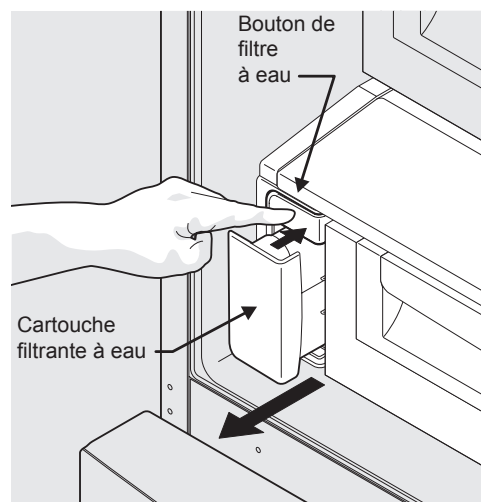


Figure 48

2. Retirez la vieille cartouche du filtre à eau de son logement et jetez-la.
3. Déballez la nouvelle cartouche filtrante et retirez les deux capuchons protecteurs couvrant l'entrée et la sortie du filtre. Glissez délicatement le filtre dans le logement jusqu'à ce qu'il bute contre le raccord automatique au fond du logement.

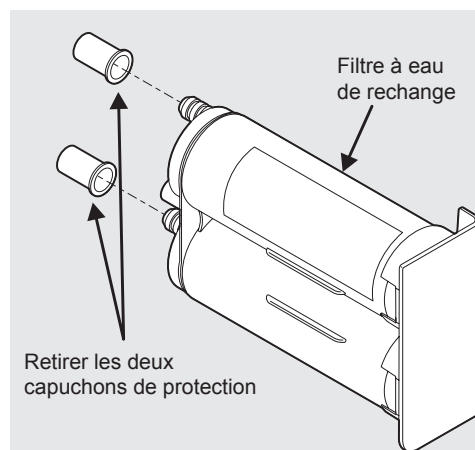


Figure 49

# REPLACEMENT DES FILTRES À EAU ET À AIR

- Appuyez fermement sur la cartouche jusqu'à ce qu'elle s'enclenche en place (vous devriez entendre alors deux clics). Lorsqu'elle est complètement engagée, l'avant de la cartouche du filtre doit être au même niveau que le bouton de dégagement du filtre.

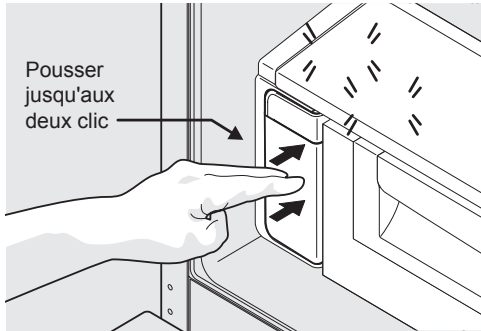


Figure 50 Reposez le filtre à eau

- Appuyez sur le bouton Filter Status (État du filtre) sur le tableau de commande et maintenez-le enfoncé pendant trois secondes. Lorsque l'affichage passe de « Replace » (à remplacer) à « Good » (bon), cela signifie que l'état du filtre a été réinitialisé.
- Afin d'assurer le bon fonctionnement de la machine à glaçons, il est nécessaire de retirer l'air du tuyau du filtre à eau après avoir remplacé le filtre. Lorsque la machine à glaçons commence à produire de la glace, faites-lui remplir DEUX fois le bac à glaçons et jetez le contenu. Il faudra au moins deux jours pour remplir complètement le bac à glaçons en mode de fabrication normal et 1½ jour en mode de fabrication rapide (fast ice).

## Filtre à air

Le filtre à air est situé sous le bac de rangement

### Remplacement du filtre à air

En général, vous devriez changer le filtre à air tous les six mois (le voyant lumineux indiquant l'état du filtre sur le panneau tactile vous avertira de remplacer le filtre après six mois d'utilisation) pour assurer une filtration optimale des odeurs du réfrigérateur.

- Ouvrez la porte du filtre à air.
- Enlevez le filtre usé et jetez-le.
- Déballiez le nouveau filtre et glissez-le dans le boîtier.
- Pour fermer la porte du filtre à air, poussez le bas et le haut pour verrouiller la porte.
- Appuyez sur la touche Air Filter Reset (réinitialisation du filtre à air) sur le tableau de commande et maintenez-la enfoncée pendant trois secondes. Lorsque l'affichage passe de « Replace » (à remplacer) à « Good » (bon), cela signifie que l'état du filtre a été réinitialisé.
- Le bouton Air Filter Reset (réinitialisation du filtre à air) s'éteindra de lui-même après quelques secondes.

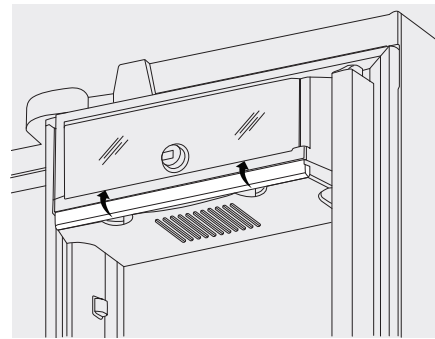


Figure 51

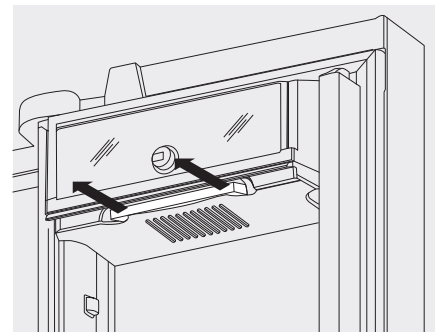


Figure 52

### Pour commander des filtres de rechange

Pour commander de nouveaux filtres, appelez le 1-800-223-3900 ou demandez au marchand chez qui vous avez acheté votre réfrigérateur. Vous pouvez également commander des filtres supplémentaires lorsque vous installez votre réfrigérateur pour la première fois.



## ENTRETIEN ET NETTOYAGE

### Protection de votre investissement

Gardez votre réfrigérateur propre pour conserver son apparence et éviter les odeurs. Essuyez immédiatement tout renversement et nettoyez les compartiments congélateur et réfrigérateur au moins deux fois par an.

### REMARQUE

Évitez d'utiliser des nettoyeurs abrasifs comme des vaporisateurs à fenêtre, des nettoyeurs à récurer, des liquides inflammables, des cires nettoyantes, des détergents concentrés, des produits javellisants ou des nettoyeurs à base de pétrole pour nettoyer les pièces en plastique, les portes intérieures, les joints et les revêtements de la caisse. Évitez d'utiliser du papier essuie-tout, des tampons à récurer ou tout autre matériel de nettoyage abrasif.

- N'utilisez jamais de tampons à récurer métalliques, de brosses, de nettoyeurs abrasifs ni de solutions alcalines fortes pour nettoyer votre réfrigérateur.
- N'utilisez jamais de CHLORE ou de nettoyeurs avec javellisant pour nettoyer l'acier inoxydable.
- Ne lavez aucune des pièces amovibles dans le lave-vaisselle.
- Débranchez toujours le cordon d'alimentation de la prise murale avant de nettoyer l'appareil.

### REMARQUE

Si vous réglez la commande de température pour qu'elle arrête le système de refroidissement, le courant électrique qui alimente l'éclairage et les autres composants électriques sera maintenu jusqu'à ce que vous débranchiez le cordon d'alimentation de la prise murale.

- Enlevez les étiquettes adhésives à la main. N'utilisez pas de lame de rasoir ni d'autres instruments pointus qui peuvent rayer la surface de l'appareil.
- N'enlevez pas la plaque signalétique. Le retrait de la plaque de série annule la garantie.
- Avant de déplacer le réfrigérateur, montez les supports anti-renversement afin que les roulettes puissent fonctionner correctement. Ceci évitera d'abîmer le plancher.



### ATTENTION

- Tirez le réfrigérateur en le maintenant droit pour le déplacer. Le déplacement latéral du réfrigérateur peut endommager le revêtement de sol. Faites attention à ne pas déplacer le réfrigérateur plus loin que les raccordements de plomberie ne le permettent.
- Les objets humides collent aux surfaces froides. Ne touchez pas les surfaces froides du réfrigérateur avec les mains humides.

### REMARQUE

Si vous entreposez ou déplacez votre réfrigérateur dans un endroit exposé au gel, assurez-vous de vidanger complètement le système d'alimentation en eau. Le non-respect de cette recommandation peut entraîner des fuites d'eau lorsque le réfrigérateur est remis en service. Communiquez avec un représentant du service après-vente pour effectuer cette opération.

Reportez-vous à la page suivante pour connaître les détails concernant l'entretien et le nettoyage de zones spécifiques de votre réfrigérateur.

## ENTRETIEN ET NETTOYAGE

<b>Astuces d'entretien et de nettoyage</b>		
<b>Pièce</b>	<b>Agents de nettoyage</b>	<b>Conseils et précautions</b>
Intérieur et revêtements de porte	<ul style="list-style-type: none"> <li>● Eau savonneuse</li> <li>● Bicarbonate de soude et eau</li> </ul>	<ul style="list-style-type: none"> <li>● Utilisez deux cuillères à table de bicarbonate de soude dans 0,47 L (1 pinte) d'eau tiède.</li> <li>● Essorez bien l'eau de l'éponge ou du chiffon avant de nettoyer autour des commandes, de l'ampoule ou de toute pièce électrique.</li> </ul>
Joint des portes	<ul style="list-style-type: none"> <li>● Eau savonneuse</li> </ul>	<ul style="list-style-type: none"> <li>● Essuyez les joints avec un chiffon propre et doux.</li> </ul>
Bacs et balconnets	<ul style="list-style-type: none"> <li>● Eau savonneuse</li> </ul>	<ul style="list-style-type: none"> <li>● Utilisez un chiffon propre pour essuyer les glissières et les rainures.</li> <li>● Ne lavez aucune des pièces amovibles (bacs, balconnets, etc.) dans le lave-vaisselle.</li> </ul>
Clayettes en verre	<ul style="list-style-type: none"> <li>● Eau savonneuse</li> <li>● Nettoyant pour verre</li> <li>● Pulvérisation liquide douce</li> </ul>	<ul style="list-style-type: none"> <li>● Laissez le verre se réchauffer à la température ambiante avant de l'immerger dans l'eau chaude.</li> </ul>
Grille de protection	<ul style="list-style-type: none"> <li>● Eau savonneuse</li> <li>● Pulvérisation liquide douce</li> <li>● Aspirateur</li> </ul>	<ul style="list-style-type: none"> <li>● Enlevez la grille de protection (reportez-vous aux instructions d'installation).</li> <li>● Passez l'aspirateur sur l'arrière de la grille et essuyez-la au moyen d'une éponge ou d'un linge savonneux. Rincez et séchez.</li> </ul>
Extérieur et poignées	<ul style="list-style-type: none"> <li>● Eau savonneuse</li> <li>● Nettoyant pour verre non abrasif</li> </ul>	<ul style="list-style-type: none"> <li>● N'utilisez pas de nettoyant ménager commercial à base d'ammoniaque, de javellisant ou d'alcool pour nettoyer les poignées.</li> <li>● Utilisez un chiffon doux pour polir les poignées.</li> <li>● N'utilisez pas un chiffon sec pour nettoyer des portes lisses.</li> </ul>
Extérieur et poignées (modèles en acier inoxydable seulement)	<ul style="list-style-type: none"> <li>● Eau savonneuse</li> <li>● Nettoyant pour acier inoxydable</li> </ul>	<ul style="list-style-type: none"> <li>● N'utilisez jamais de CHLORE ou de nettoyeurs avec javellisant pour nettoyer l'acier inoxydable.</li> <li>● Nettoyez l'avant et les poignées en acier inoxydable au moyen d'un chiffon à vaisselle non abrasif imbibé d'eau savonneuse. Rincez avec un chiffon doux imbibé d'eau propre.</li> <li>● Utilisez un nettoyant pour acier inoxydable non abrasif. Ces nettoyeurs peuvent être achetés dans la plupart des magasins de rénovation ou dans les grands magasins. Suivez toujours les instructions du fabricant. N'utilisez pas de nettoyant ménager à base d'ammoniaque ou de javellisant.</li> <li>● REMARQUE : Nettoyez, essuyez et séchez toujours dans le sens des stries pour éviter les rayures.</li> <li>● Lavez le reste de l'extérieur avec de l'eau chaude et un détergent liquide doux. Rincez bien et séchez au moyen d'un chiffon propre et doux.</li> </ul>

<b>Conseils pour les vacances et les déménagements</b>	
<b>Situation</b>	<b>Conseils</b>
Vacances de courte durée	<ul style="list-style-type: none"> <li>● Laissez le réfrigérateur fonctionner si vous partez pour moins de trois semaines.</li> <li>● Consommez tous les aliments périssables qui se trouvent dans le réfrigérateur.</li> <li>● Éteignez la machine à glaçons et videz le bac, même si vous ne partez que pour quelques jours.</li> </ul>
Vacances de longue durée	<ul style="list-style-type: none"> <li>● Si vous partez pour plus d'un mois, enlevez toute la nourriture et la glace de l'appareil.</li> <li>● Éteignez le système de refroidissement (reportez-vous à la section « Commandes » pour connaître l'emplacement de l'interrupteur) et débranchez le cordon d'alimentation.</li> <li>● Fermez le robinet d'arrivée d'eau.</li> <li>● Nettoyez soigneusement l'intérieur.</li> <li>● Laissez les deux portes ouvertes afin de prévenir les odeurs et l'accumulation de moisissure. Bloquez les portes en position ouverte, si nécessaire.</li> </ul>
Déménagement	<ul style="list-style-type: none"> <li>● Enlevez toute la nourriture et la glace.</li> <li>● Si vous utilisez un chariot, chargez-le par le côté.</li> <li>● Placez les roulettes tout en haut pour les protéger durant le déplacement ou le déménagement.</li> <li>● Couvrez la caisse pour éviter d'égratigner la surface.</li> </ul>

## ENTRETIEN ET NETTOYAGE

### Remplacement des ampoules à DEL

Le congélateur et les compartiments à aliments frais de votre réfrigérateur sont dotés d'ampoules à DEL. Utilisez toujours des pièces de rechange.

#### Pour remplacer les ampoules à DEL :

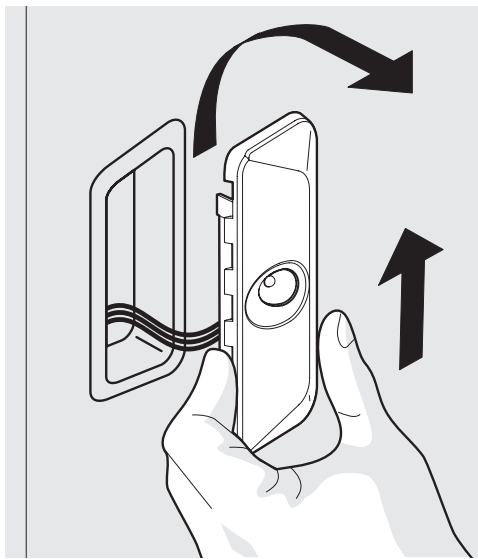
1. Débranchez le cordon d'alimentation de votre réfrigérateur.
2. Tirez sur le couvercle de l'ampoule pour le retirer.
3. Tenez le couvercle de l'ampoule à DEL d'une main et tirez le connecteur de l'autre tout en appuyant sur le loquet du connecteur.
4. Remplacez l'ampoule à DEL et enclenchez-le avec l'ampoule tournée vers l'appareil (dans le compartiment à aliments frais et le congélateur) ou vers l'extérieur pour le bas des portes du compartiment à aliments frais.

### REMARQUE

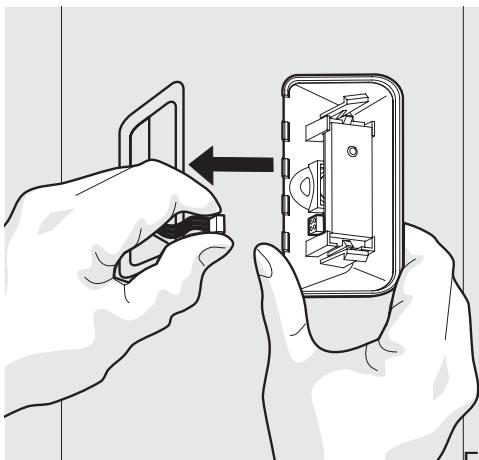
Les ampoules à DEL sont branchées en série, si une est défectueuse ou débranchée, plusieurs lumières risquent de ne pas s'allumer.

#### Commande d'ampoules à DEL de remplacement

Pour commander des à DEL neuves, appelez le 1-800-223-3900 ou demandez au marchand chez qui vous avez acheté votre réfrigérateur.



Retrait de l'ampoule à DEL Figure 53



Retrait du faisceau électrique de la DEL Figure 54

# SOLUTIONS AUX PROBLÈMES COURANTS

## Avant de faire appel au service après-vente

Si vous avez un problème avec votre réfrigérateur ou que vous remarquez un fonctionnement anormal de l'appareil, vous pouvez dans la plupart des cas, éviter d'appeler le service après-vente en consultant ce chapitre pour trouver une réponse à votre question. En commençant par le tableau ci-dessous, vous pourrez ainsi avoir accès à de l'information qui comprend les problèmes courants, leurs causes et les solutions suggérées.

Machine à glaçons automatique		
Problème	Cause possible	Solution courante
La machine à glaçons ne fabrique pas de glace.	<ul style="list-style-type: none"> <li>● La machine à glaçons est désactivée.</li> <li>● Le réfrigérateur n'est pas raccordé à la conduite d'eau ou le robinet n'est pas ouvert.</li> <li>● La conduite d'alimentation en eau est tordue.</li> <li>● Le filtre à eau n'est pas bien installé.</li> <li>● Il est possible que le filtre à eau soit obstrué par un corps étranger.</li> <li>● Le robinet-vanne à étrier du tuyau d'eau froide est bouché ou partiellement obstrué par un corps étranger.</li> </ul>	<ul style="list-style-type: none"> <li>● Mettez la machine à glaçons en marche. Pour la machine à glaçons du réfrigérateur, appuyez et tenez la touche « Arrêt glace » enfoncée pendant 4 secondes, jusqu'à ce que le témoin soit éteint. Pour la machine à glaçons du congélateur, abaissez le fil métallique du levier de signalisation.</li> <li>● Raccordez l'appareil à l'alimentation en eau domestique et assurez-vous que le robinet est ouvert.</li> <li>● Assurez-vous que le tuyau d'alimentation en eau n'est pas tordu quand vous poussez le réfrigérateur pour le remettre en place contre le mur.</li> <li>● Retirez et réinstallez le filtre à eau. Assurez-vous de pousser fermement sur le filtre afin de l'entendre s'enclencher solidement en place.</li> <li>● Si l'eau du distributeur coule lentement ou à peine, ou si le filtre est en place depuis six mois ou plus, il faut le remplacer.</li> <li>● Fermez le robinet de la conduite d'eau domestique. Enlevez le robinet. Assurez-vous que le robinet n'est pas un robinet-vanne à étrier autoperceur. Nettoyez le robinet. Remplacez le robinet, si nécessaire.</li> </ul>
La machine à glaçons ne fabrique pas assez de glace.	<ul style="list-style-type: none"> <li>● La machine à glaçons produit moins de glace que la quantité à laquelle vous vous attendiez.</li> <li>● Il est possible que le filtre à eau soit obstrué par un corps étranger.</li> <li>● La conduite d'alimentation en eau est tordue.</li> <li>● Le robinet-vanne à étrier du tuyau d'eau froide est bouché ou partiellement obstrué par un corps étranger.</li> </ul>	<ul style="list-style-type: none"> <li>● Selon les conditions d'utilisation, les machines à glaçons produiront chacune environ 1,13 kg (2,5 lb) de glace par période de 24 heures.</li> <li>● Si l'eau du distributeur coule plus lentement que la normale, ou si le filtre est en place depuis six mois ou plus, il faut le remplacer.</li> <li>● Assurez-vous que le tuyau d'alimentation en eau n'est pas tordu quand vous poussez le réfrigérateur pour le remettre en place contre le mur.</li> <li>● Fermez le robinet de la conduite d'eau domestique. Enlevez le robinet. Assurez-vous que le robinet n'est pas un robinet-vanne à étrier autoperceur. Nettoyez le robinet. Remplacez le robinet, si nécessaire.</li> </ul>
La machine à glaçons n'arrête pas de produire des glaçons.	<ul style="list-style-type: none"> <li>● Un article dans la congélateur s'appuie contre le fil métallique du levier de signalisation de la machine à glaçons et le maintient abaissé.</li> </ul>	<ul style="list-style-type: none"> <li>● Déplacez l'objet et dégarez le fil métallique du levier de signalisation. Enlevez les glaçons qui pourraient être soudés au fil métallique du levier de signalisation.</li> </ul>
Les glaçons collent ensemble.	<ul style="list-style-type: none"> <li>● Les glaçons ne sont pas utilisés assez fréquemment.</li> <li>● Les glaçons sont creux (des coquilles de glace contenant de l'eau qui n'est pas encore gelée). Les glaçons creux se brisent dans le bac et répandent de l'eau sur les glaçons qui s'y trouvent déjà, de sorte que les glaçons s'agglomèrent ensemble en gelant.</li> </ul>	<ul style="list-style-type: none"> <li>● Retirez le bac à glaçons et jetez les glaçons. La machine à glaçons produira de nouveaux glaçons. Pour que les glaçons ne collent pas les uns aux autres, il faut utiliser la machine à glaçons au moins deux fois par semaine.</li> <li>● Ceci se produit en général quand la machine à glaçons ne reçoit pas suffisamment d'eau. Habituellement, ce problème est causé par un filtre à eau obstrué. Remplacez le filtre à eau.</li> </ul>

L'ampoule n'est pas allumée		
Problème	Cause possible	Solution courante
L'ampoule n'est pas allumée.	<ul style="list-style-type: none"> <li>● L'ampoule est brûlée ou la DEL est détériorée.</li> <li>● L'alimentation électrique du réfrigérateur est coupée.</li> <li>● Le système de commande a désactivé les dispositifs d'éclairage parce qu'une des portes ou les deux portes sont restées ouvertes trop longtemps.</li> </ul>	<ul style="list-style-type: none"> <li>● Reportez-vous à la section « Entretien et nettoyage », à la partie Remplacement des ampoules ou des ampoules à DEL.</li> <li>● Reportez-vous à la section « Problème », à la partie « Fonctionnement du réfrigérateur ».</li> <li>● Fermez et rouvrez les portes pour activer l'éclairage.</li> </ul>

Présence d'odeurs dans le réfrigérateur		
Problème	Cause possible	Solution courante
L'intérieur est sale. Odeurs	<ul style="list-style-type: none"> <li>● L'intérieur doit être nettoyé.</li> <li>● Il y a des aliments qui dégagent une forte odeur dans le réfrigérateur.</li> </ul>	<ul style="list-style-type: none"> <li>● Reportez-vous à la section « Conseils d'entretien et de nettoyage ».</li> <li>● Couvrez bien les aliments. Le filtre à air peut avoir besoin d'être changé plus fréquemment si des aliments dégagant une forte odeur sont régulièrement conservés dans le réfrigérateur.</li> </ul>

# SOLUTIONS AUX PROBLÈMES COURANTS

Ouverture et fermeture des portes et des tiroirs		
Problème	Cause possible	Solution courante
Les portes ne ferment pas.	<ul style="list-style-type: none"> <li>Le réfrigérateur n'est pas de niveau. Il oscille sur le plancher lorsque vous le bougez légèrement.</li> <li>Un objet est tombé de l'un des paniers et empêche la porte de se fermer.</li> </ul>	<ul style="list-style-type: none"> <li>Assurez-vous que le plancher est solide, de niveau et qu'il peut supporter le poids du réfrigérateur de façon adéquate. Adressez-vous à un menuisier pour corriger l'affaissement ou la pente du plancher.</li> <li>Assurez-vous que le tiroir n'est pas bloqué par de la glace ou un aliment.</li> </ul>
Les tiroirs sont difficiles à déplacer.	<ul style="list-style-type: none"> <li>Les aliments touchent la clayette au-dessus du tiroir.</li> <li>Le tiroir est surchargé</li> </ul>	<ul style="list-style-type: none"> <li>Rangez moins d'aliments dans le tiroir.</li> <li>Retirez ou redistribuez les aliments.</li> </ul>

Fonctionnement du réfrigérateur		
Problème	Cause possible	Solution courante
Le compresseur ne fonctionne pas.	<ul style="list-style-type: none"> <li>Le système de refroidissement est arrêté.</li> <li>Un cycle de dégivrage est en cours.</li> <li>La fiche est débranchée de la prise murale.</li> <li>Les fusibles domestiques sont grillés ou le disjoncteur du circuit est déclenché.</li> <li>Panne de courant.</li> <li>Le système de commande électronique maintient le réfrigérateur à une température constante.</li> </ul>	<ul style="list-style-type: none"> <li>Mettez le système de refroidissement en marche. Reportez-vous à la section « Commandes » pour connaître l'emplacement de l'interrupteur du système de refroidissement.</li> <li>Il s'agit d'une condition normale pour un réfrigérateur à dégivrage automatique. Le cycle de dégivrage a lieu de façon périodique et il dure environ 30 minutes.</li> <li>Assurez-vous que la fiche est bien enfoncée dans la prise.</li> <li>Vérifiez/remplacez le fusible temporisé de 15 A. Réinitialisez le disjoncteur du circuit.</li> <li>Vérifiez les lumières de la maison. Appelez la compagnie d'électricité.</li> <li>Ceci est normal. Le réfrigérateur s'allume et s'éteint pour garder la température constante.</li> </ul>
Le réfrigérateur fonctionne trop souvent ou trop longtemps.	<ul style="list-style-type: none"> <li>La pièce ou la température à l'extérieur est chaude.</li> <li>Le réfrigérateur a été récemment débranché pendant un certain temps.</li> <li>La machine à glaçons automatique fonctionne.</li> <li>Les portes sont ouvertes trop fréquemment ou trop longtemps.</li> <li>La porte du réfrigérateur/congélateur est restée légèrement ouverte.</li> <li>La commande de la température du congélateur a été ajustée à un niveau trop bas (cette commande est située sur le côté de la porte de gauche).</li> <li>Le joint du réfrigérateur/congélateur est sale, usé, craquelé ou mal ajusté.</li> <li>Ce modèle est offert avec un compresseur à vitesse variable, haute efficacité.</li> </ul>	<ul style="list-style-type: none"> <li>Il est normal que le réfrigérateur fonctionne plus longtemps dans ces conditions.</li> <li>Le réfrigérateur nécessite de 8 à 12 heures pour se refroidir complètement.</li> <li>Le réfrigérateur peut se mettre en marche plus souvent à cause du fonctionnement de la machine à glaçons.</li> <li>Le réfrigérateur fonctionne davantage si de l'air chaud y pénètre. Ouvrez les portes moins fréquemment.</li> <li>Assurez-vous que le réfrigérateur est de niveau. Assurez-vous que les aliments ou les contenants ne bloquent pas la porte. Reportez-vous à la section « Problème », à la partie « Ouverture et fermeture des portes et des tiroirs ».</li> <li>Ajustez la commande du congélateur à un réglage plus chaud jusqu'à ce que la température du réfrigérateur soit correcte. Allouez 24 heures pour permettre à la température de se stabiliser.</li> <li>Nettoyez ou changez le joint. Un joint d'étanchéité qui fuit fait fonctionner le réfrigérateur plus longtemps afin de maintenir la température désirée.</li> <li>Il est normal que le compresseur tourne pendant de longues périodes sans s'arrêter et repartir.</li> </ul>
Les afficheurs numériques de température clignotent.	<ul style="list-style-type: none"> <li>Le système de commande électronique a détecté un problème de fonctionnement.</li> </ul>	<ul style="list-style-type: none"> <li>Téléphonez à votre représentant du service après-vente qui pourra vous donner la signification des divers messages et des codes qui clignotent sur les afficheurs numériques.</li> </ul>

Températures trop froides		
Problème	Cause possible	Solution courante
La température du congélateur est trop froide. La température du réfrigérateur est correcte.	<ul style="list-style-type: none"> <li>La fonction de congélation rapide (Fast Freeze) est activée.</li> <li>La commande de la température du congélateur a été ajustée à un niveau trop bas.</li> <li>La machine à glaçons est activée.</li> <li>La fonction de fabrication rapide de glaçons (Fast Ice) est activée.</li> </ul>	<ul style="list-style-type: none"> <li>Désactivez la fonction de congélation rapide.</li> <li>Ajustez la commande du congélateur à un réglage plus chaud. Allouez 24 heures pour permettre à la température de se stabiliser.</li> <li>Il est normal que le compartiment du congélateur refroidisse davantage lorsque la machine à glaçons est activée.</li> <li>Désactivez la fonction de fabrication rapide de glaçons.</li> </ul>
La température du réfrigérateur est trop froide. La température du congélateur est adéquate.	<ul style="list-style-type: none"> <li>La commande de la température du réfrigérateur a été réglée à un niveau trop bas.</li> </ul>	<ul style="list-style-type: none"> <li>Ajustez la commande du réfrigérateur à un réglage plus chaud. Allouez 24 heures pour permettre à la température de se stabiliser.</li> </ul>
Les aliments rangés dans les bacs gèlent.	<ul style="list-style-type: none"> <li>La commande de la température du réfrigérateur a été réglée à un niveau trop bas.</li> </ul>	<ul style="list-style-type: none"> <li>Reportez-vous à la solution donnée ci-dessus.</li> </ul>
Les aliments rangés dans la zone de refroidissement gèlent (certains modèles).	<ul style="list-style-type: none"> <li>La commande de la température de la zone de refroidissement a été réglée à un niveau trop bas.</li> </ul>	<ul style="list-style-type: none"> <li>Ajustez la commande de température de la zone de refroidissement à un réglage plus élevé. Pour que les viandes préservent le maximum de fraîcheur, celles-ci doivent être conservées à une température juste au-dessous du point de congélation. Il est normal de voir apparaître des cristaux de glace sur la viande à cause de sa teneur en humidité.</li> </ul>

## SOLUTIONS AUX PROBLÈMES COURANTS

<b>Températures trop chaudes</b>		
<b>Problème</b>	<b>Cause possible</b>	<b>Solution courante</b>
La température à l'intérieur du réfrigérateur/ congélateur est trop chaude.	<ul style="list-style-type: none"> <li>● Les portes sont ouvertes trop fréquemment ou trop longtemps.</li> <li>● La porte est légèrement ouverte.</li> </ul>	<ul style="list-style-type: none"> <li>● De l'air chaud pénètre dans le réfrigérateur chaque fois que la porte est ouverte. Ouvrez la porte moins fréquemment.</li> <li>● Reportez-vous à la section « Problème », à la partie « Ouverture et fermeture des portes et des tiroirs ».</li> </ul>
La température du congélateur est trop chaude. La température du réfrigérateur est correcte.	<ul style="list-style-type: none"> <li>● Le réglage de la commande de la température du congélateur a été ajusté à un niveau trop élevé.</li> </ul>	<ul style="list-style-type: none"> <li>● Ajustez la commande du congélateur à un réglage plus froid. Allouez 24 heures pour permettre à la température de se stabiliser.</li> </ul>
La température à l'intérieur du réfrigérateur est trop chaude. La température du congélateur est adéquate.	<ul style="list-style-type: none"> <li>● Le réglage de la commande du réfrigérateur est trop chaud.</li> </ul>	<ul style="list-style-type: none"> <li>● Ajustez la commande du réfrigérateur à un réglage plus froid. Allouez 24 heures pour permettre à la température de se stabiliser.</li> </ul>
La température dans le tiroir de la zone de refroidissement ou le tiroir Select Temp est trop chaude.	<ul style="list-style-type: none"> <li>● La commande de température est réglée à un niveau trop chaud.</li> </ul>	<ul style="list-style-type: none"> <li>● Ajustez la commande de température à un réglage plus froid.</li> </ul>

<b>Présence d'eau/d'humidité/de givre à l'intérieur du réfrigérateur</b>		
<b>Problème</b>	<b>Cause possible</b>	<b>Solution courante</b>
De l'humidité apparaît sur les parois intérieures du réfrigérateur.	<ul style="list-style-type: none"> <li>● La température à l'extérieur est chaude et humide.</li> <li>● La porte est légèrement ouverte.</li> <li>● La porte est ouverte trop fréquemment ou trop longtemps.</li> <li>● Certains contenants sont ouverts.</li> </ul>	<ul style="list-style-type: none"> <li>● L'accumulation de givre et d'humidité à l'intérieur de la caisse augmente.</li> <li>● Reportez-vous à la section « Problème », à la partie « Ouverture et fermeture des portes et des tiroirs ».</li> <li>● Ouvrez la porte moins souvent pour permettre à la température interne de se stabiliser.</li> <li>● Gardez les contenants fermés.</li> </ul>
De l'eau s'accumule sur la surface intérieure du couvercle de tiroir.	<ul style="list-style-type: none"> <li>● Les légumes laissent échapper l'humidité qu'ils contiennent.</li> </ul>	<ul style="list-style-type: none"> <li>● La formation d'humidité sur le côté inférieur du couvercle est fréquente.</li> <li>● Ajustez la commande d'humidité (certains modèles) à un réglage plus bas.</li> </ul>
De l'humidité s'accumule au fond du tiroir.	<ul style="list-style-type: none"> <li>● Les fruits et les légumes lavés s'égouttent une fois déposés dans le tiroir.</li> <li>● Des fruits et des légumes sont conservés malgré qu'ils soient moins frais.</li> </ul>	<ul style="list-style-type: none"> <li>● Asséchez les aliments avant de les déposer dans le tiroir. Une accumulation d'eau au fond du tiroir est normale.</li> <li>● Enlevez régulièrement les fruits et les légumes trop mûrs, particulièrement s'ils commencent à se détériorer.</li> </ul>
De l'humidité apparaît à l'extérieur du réfrigérateur ou entre les portes.	<ul style="list-style-type: none"> <li>● Le taux d'humidité à l'extérieur est élevé.</li> <li>● La porte est légèrement ouverte et l'air froid de l'intérieur du réfrigérateur rencontre l'air chaud de l'extérieur.</li> </ul>	<ul style="list-style-type: none"> <li>● Ceci est normal si le taux d'humidité à l'extérieur est élevé. Lorsque les conditions météorologiques seront moins humides, l'humidité disparaîtra.</li> <li>● Reportez-vous à la section « Problème », à la partie « Ouverture et fermeture des portes et des tiroirs ».</li> </ul>

# GARANTIE

## GARANTIE LIMITÉE D'UN AN POUR LE PRODUIT ENTIER

AGA Marvel garantit, pour une période d'un an à partir de la date d'achat initial, le remplacement ou la réparation (chez vous/dans votre maison) de toutes les pièces de l'appareil qui présentent un vice de matériau ou fabrication, à l'exception des surfaces peintes ou finies en porcelaine émaillée et des surfaces plaquées. Les pièces seront réparées ou remplacées au gré de AGA Marvel, gratuitement, conformément aux conditions ci-dessous. La période de garantie contre les défauts des surfaces en peinture-émail ou plaquées est de 90 jours à partir de la date d'achat initial.

## GARANTIE LIMITÉE - Principaux éléments du système de réfrigération

Deuxième à cinquième année – Après la première année suivant la date de l'achat initial au détail, jusqu'à la cinquième année, le fabricant réparera ou remplacera, à son choix, gratuitement pour les pièces et la main d'oeuvre seulement, toute pièce du système de réfrigération scellé (comprenant le compresseur, l'évaporateur, le condenseur, le déshydrateur et la tubulure) et la doublure de caisse (à l'exclusion de la doublure de porte) qui se révéleraient défectueuses dans des conditions normales d'usage ménager. Le propriétaire devra assumer tous les autres frais, y compris les frais de déplacement, de transport, de kilométrage et de diagnostic, le cas échéant.

## Garantie limitée – Filtre à eau

30 jours- À compter de la date de l'achat initial au détail, toute pièce de la cartouche du filtre à eau se révélant défectueuse en raison d'un vice de matière ou de fabrication, sera remplacée gratuitement.

## Ne sont pas couverts par ces garanties :

1. Initiation de l'utilisateur à l'emploi de l'appareil.
2. Perte des aliments résultant d'une défaillance de l'appareil. (Le garant n'est responsable d'aucun dommage accessoire ou indirect, y compris une perte d'aliments)
3. Frais engagés pour rendre l'appareil accessible pour le service.
4. Transport, livraison, ou dommages subséquents.
5. Appareils achetés aux fins d'usage commercial ou de location (au lieu d'un usage domestique).
6. Dommages résultant d'une installation défectueuse, mauvaise utilisation, d'un emploi abusif, d'un accident ou d'une modification, mise en service avec un câblage non conforme aux codes électriques, basse tension, défaut d'entretien nécessaire ou tout autre utilisation déraisonnable.
7. Pièces de rechange ou services non fournis ou désignées par l'usine.
8. Accident, feu, inondations, catastrophes naturelles.
9. Modification, mutilation ou enlèvement de la plaque signalétique.
10. Manque de vérification pour la facture du détaillant, date de livraison ou plaque signalétique.
11. Déplacement de l'appareil du lieu d'installation initial et réinstallation sans consultation et consentement préalables du détaillant ou de l'usine.
12. Ampoules

13. Si le produit est installé à l'extérieur des zones normal de service, les couts de transport [admissions, frais de traversier ou frais de millage, etc.] impliqués dans la réparation du produit, ou du remplacement des pièces défectueuses seront a la charge du client [propriétaire]

LES GARANTIES ÉNONCÉES PAR LES PRÉSENTES SONT LES SEULES GARANTIES ACCORDÉES PAR AGA Marvel. TOUTE GARANTIE IMPLICITE, Y COMPRIS CELA DE L'APTITUDE À LA VENTE EST LIMITÉE POUR LA DURÉE DE LA GARANTIE EXPRESSE. AGA Marvel NE SERA AUCUNEMENT RESPONSABLE DE DOMMAGES INDIRECTES OU ACCESSOIRES RELATIF AUX DÉPENSES POUR TOUTE MANQUEMENT DE CES GARANTIES, SOIT IMPLICITES OU EXPLICITES. Certains provinces ou états ne permettent pas d'exclusion ni restrictions pour les dommages-intérêts directs ou indirects ou de limiter la durée des garanties; il est donc possible que les limitations et les exclusions ci-dessus ne s'appliquent pas à votre cas. **Les garanties ne s'appliquent que dans les pays où l'appareil a été acheté.**

Aucune personne, entreprise ou personne morale n'est autorisée d'accorder une autre garantie, quel qui soit, ou d'assumer une obligation pour le compte de AGA Marvel. Pour tout service sous garantie, veuillez reporter les défauts : au détaillant ou au représentant de service de AGA Marvel Appliances.

AGA Marvel  
1260 E. VanDeinse St.  
Greenville MI 48838

Fax (616) 754-9690  
Toll Free Telephone 1-800-223-3900

ENDROIT D'ACHAT \_\_\_\_\_

DATE D'ACHAT \_\_\_\_\_

NUMÉRO DE SÉRIE \_\_\_\_\_

NOMBRE MODÈLE \_\_\_\_\_

---

[www.agamarvel.com](http://www.agamarvel.com)

41014178-FR revA  
6/9/15

Toutes les spécifications et les conceptions des produits sont sujet à des changements sans préavis. De telles révisions ne donnent aucun droit pour l'acheteur de produits antérieurs à bénéficier de ces changements, améliorations, ajouts, remplacements, ni de recevoir une compensation.



**AGA Marvel**  
**1260 E. VanDeinse St.**  
**Greenville MI 48838**

**Toll free phone: 800-223-3900**  
**Fax: 616-754-9690**  
**www.agamarvel.com**

---

GRACIAS por comprar este producto de alta calidad. Si tuviera un problema que no esté incluido en la sección LOCALIZACIÓN DE FALLAS, visite nuestro sitio web [www.agamarvel.com](http://www.agamarvel.com) para obtener información adicional. Si sigue necesitando ayuda, llámenos al 1-800-223-3900.

Mencione el número de modelo y el número de serie, ubicados en la pared interior del compartimiento del refrigerador.

**Modelo AMLFDR20C**

**Instrucciones de uso del refrigerador**

---

# DÓNDE OBTENER INFORMACIÓN, SEGURIDAD

Dónde obtener información.....	2
Seguridad.....	2
Desembalaje de su artefacto .....	3
Información eléctrica .....	4
Descripción de las características/funciones.....	5
Dimensiones del producto .....	6
Instalación.....	7
Desmontaje de las puertas.....	11
Conexión del suministro de agua.....	13
Controles.....	14
Distribuidor/fabricador automático de hielo y agua.....	16
Características del almacenamiento interior.....	17
Almacenamiento de alimentos y ahorro de energía.....	21
Sonidos y señales normales de funcionamiento.....	22
Para cambiar los filtros de agua y aire.....	23
Cuidado y limpieza.....	25
Soluciones de problemas comunes.....	28
Garantía.....	31

## Instrucciones importantes de seguridad

Las advertencias e instrucciones de seguridad que aparecen en esta guía no se proponen tratar todas las condiciones y situaciones que pueden ocurrir. Deben aplicarse el sentido común, la precaución y el cuidado al instalar, mantener y operar este artefacto.

**Reconozca los símbolos, palabras y etiquetas de seguridad.**



## ADVERTENCIA

**ADVERTENCIA** - Si no sigue las instrucciones, usted puede morir o sufrir una lesión grave.



## PRECAUCION

**PRECAUCIÓN**-Riesgos o procedimientos inseguros que podrían provocar lesiones personales o daños materiales o al producto.

## NOTA

**NOTE**-Información importante que ayuda a asegurar una instalación y operación libres de problemas.

## NOTA

### ELIMINACIÓN DE CFC/HCFC

Es posible que su refrigerador antiguo cuente con un sistema de refrigeración que utilice CFC o HCFC (clorofluorocarburos o hidroclorofluorocarburos). Se considera que si los CFC y HCFC se emiten a la atmósfera pueden dañar el ozono estratosférico. Es posible que otros refrigerantes también perjudiquen el medio ambiente si se emiten a la atmósfera.

En caso de que vaya a tirar su refrigerador antiguo, asegúrese de que un técnico cualificado se encarga de retirar el refrigerante para su correcta eliminación. Si emite refrigerantes de manera intencionada, puede ser objeto de multas o encarcelamiento conforme a las disposiciones de la legislación en materia de medio ambiente.

Advertencias de la Proposición 65 del estado de California:

**ADVERTENCIA:** Este producto contiene una o más sustancias químicas identificadas por el estado de California como causantes de cáncer.

**ADVERTENCIA:** Este producto contiene una o más sustancias químicas identificadas por el estado de California como causantes de defectos congénitos o algún otro tipo de daños en la función reproductora.

# DESEMBALAJE DE SU ARTEFACTO



## ADVERTENCIA

### RIESGO DE PESO EXCESIVO

Se necesitan dos o más personas para mover el producto. Si no se procede así, pueden producirse lesiones personales.

### Retiro del embalaje interior

Su artefacto se ha embalado para el transporte con todas las piezas que pudieran dañarse por el movimiento sujetas firmemente. Retire los materiales de empaque internos y -si las hubiera- las cintas que sujetan los componentes. El manual del usuario se envía dentro del producto en una bolsa de plástico junto con la tarjeta de registro de garantía y otros accesorios.

### Importante

Conserve la caja y el material de embalaje hasta que su artefacto se haya inspeccionado bien a fondo y se haya comprobado que está en buenas condiciones. Si hubiera daños, se necesitará el material de embalaje como una prueba del daño en tránsito. Luego, elimine todos los elementos de manera responsable.



## PRECAUCION

Elimine las bolsas de plástico, ya que pueden presentar un riesgo de asfixia.

### Nota para el cliente

Esta mercancía se embolsó en forma cuidadosa y se inspeccionó bien a fondo antes de salir de nuestra planta. La responsabilidad por su entrega segura fue asumida por el comerciante minorista al aceptar el envío. Los reclamos por pérdida o daños sufridos en el tránsito deben presentarse al comerciante minorista.

## NOTA

NO REGRESE MERCANCÍA DAÑADA AL FABRICANTE; PRESENTE EL RECLAMO AL COMERCIANTE MINORISTA.



## PRECAUCION

Si el artefacto se transportó, manejó o almacenó en una posición diferente de la vertical durante cualquier intervalo de tiempo, deje que permanezca en posición vertical durante 24 horas como mínimo antes de enchufarlo.

Esto asegurará que el aceite regrese al compresor. Si se enchufa el artefacto de inmediato, pueden dañarse algunas piezas internas.

### Registro de garantía

Es importante que envíe su tarjeta de registro de la garantía inmediatamente después de haber recibido su artefacto; también puede registrarlo a través de Internet en la página [www.agamarvel.com](http://www.agamarvel.com).

Cuando registre su artefacto se le solicitará la información siguiente:

Número de servicio

Número de serie

Fecha de la compra

Nombre y dirección del comerciante

El número de servicio y el número de serie pueden encontrarse en la placa de identificación que está ubicada dentro del gabinete, en el lado izquierdo cerca de la parte superior (vea la Figura 1).

**Registro en línea  
disponible en  
[www.agamarvel.com](http://www.agamarvel.com)**

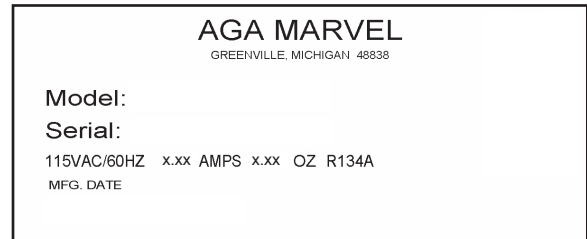


Figura 1



## PRECAUCION

### Ayude a prevenir tragedias

El atrapamiento y la asfixia de niños no son problemas del pasado. Los refrigeradores desguazados o abandonados siguen siendo peligrosos, aun cuando se los haya dejado 'sólo por unos pocos horas'.

Si va a deshacerse de su viejo refrigerador, observe las instrucciones que siguen a fin de ayudar a prevenir accidentes.

Antes de tirar su viejo refrigerador o congelador:

- Extraiga las puertas o retire los estantes.
- Deje los estantes en su lugar, de modo que los niños no puedan trepar fácilmente al interior.

# INFORMACIÓN ELÉCTRICA

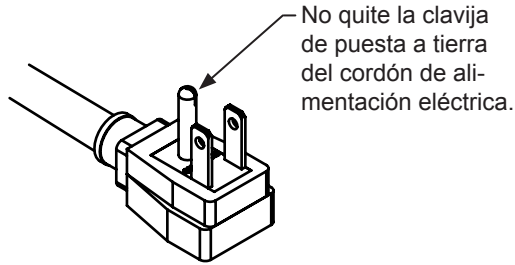


Figura 2

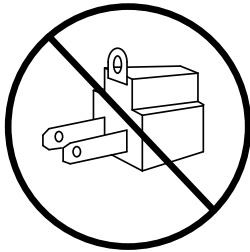


Figura 3

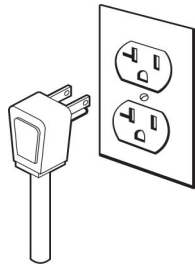


Figura 4  
Tomacorriente con puesta a tierra

## Información eléctrica



### ADVERTENCIA

**Usted debe seguir estas indicaciones para asegurarse de que los mecanismos de seguridad de su refrigerador estén funcionando en forma correcta.**

- El refrigerador debe ser enchufado en su propio tomacorriente eléctrico dedicado de 115 voltios, 60 Hz., CA sin protección de falla de conexión a tierra. El cordón eléctrico está equipado con un enchufe de tres clavijas para su protección contra riesgos de choque eléctrico. Debe ser enchufado directamente a un tomacorriente debidamente puesto a tierra provisto de tres alvéolos. El tomacorriente debe ser instalado de acuerdo con los códigos y reglamentos locales. Consulte a un electricista calificado. No use un cable de extensión ni un adaptador.
- Si se daña el cordón eléctrico, debe ser reemplazado por el fabricante, por un técnico de servicio o por una persona calificada.
- Nunca desenchufe el refrigerador tirando del cordón eléctrico. Siempre sujete firmemente el enchufe y tire en dirección recta hacia afuera del tomacorriente, para evitar dañar el cable eléctrico.
- Para evitar sufrir un choque eléctrico, desenchufe el refrigerador antes de la limpieza y antes de reemplazar una bombilla o luz LED.
- Una variación de voltaje de 10% o más puede afectar el rendimiento del refrigerador. Si el refrigerador funciona con energía insuficiente se puede dañar el compresor. Este daño no está cubierto por la garantía.
- No enchufe el refrigerador a un tomacorriente controlado por un interruptor de pared o por un interruptor de cordón pues el refrigerador puede ser apagado accidentalmente.



### PRECAUCIÓN

Para apagar el refrigerador, desenchufe el cordón eléctrico del tomacorriente.

# DESCRIPCIÓN DE LAS CARACTERÍSTICAS

## Descripción de las características y terminología

Su refrigerador fue diseñado para ofrecer la mayor conveniencia y flexibilidad de almacenamiento de alimentos.

La ilustración siguiente lo ayudará a familiarizarse con las características del producto y la terminología utilizada.

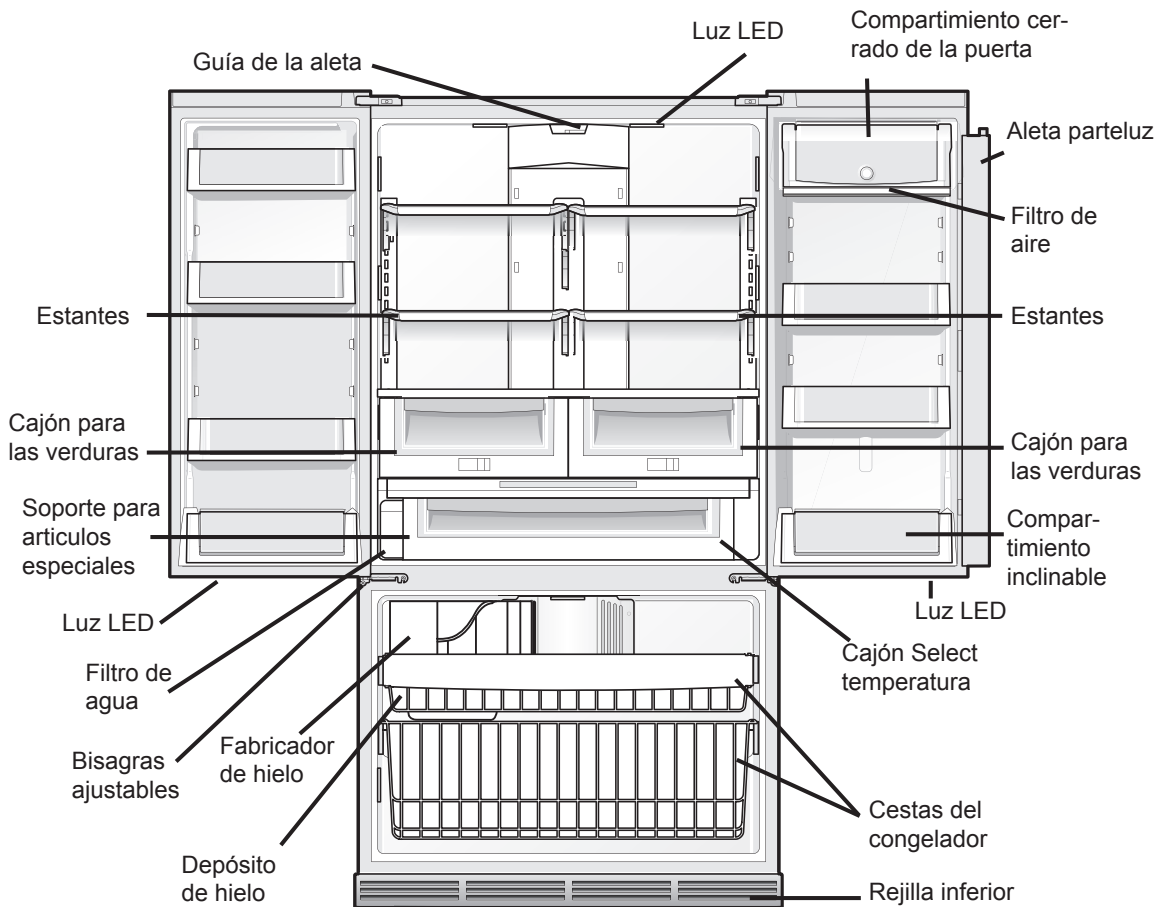
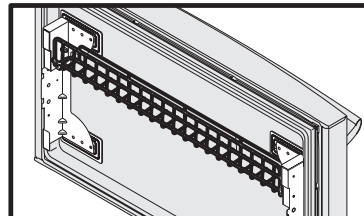


Figura 5



Compartimiento inclinable de alambre (cajón interior del congelador)

# DIMENSIONES DEL PRODUCTO



## Dimensiones

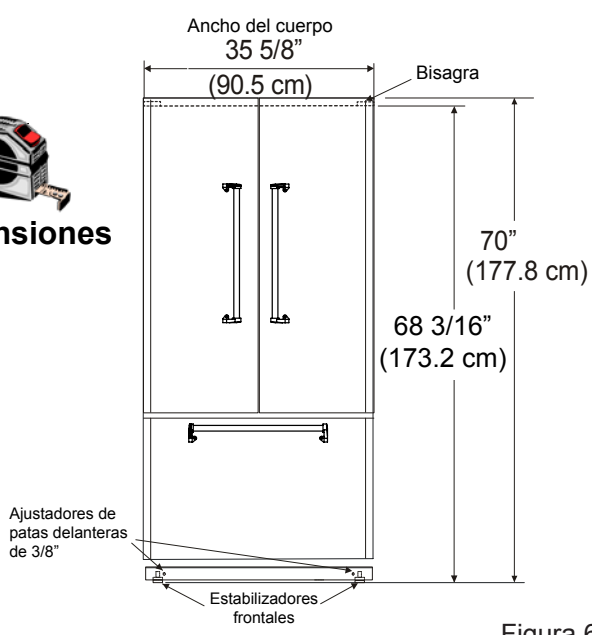
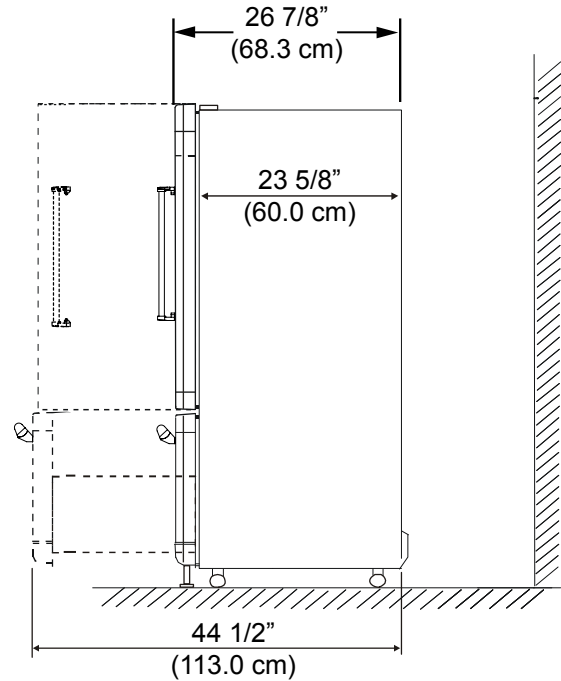


Figura 6



Con la gaveta del congelador abierta



## Medidas para la instalación empotrada

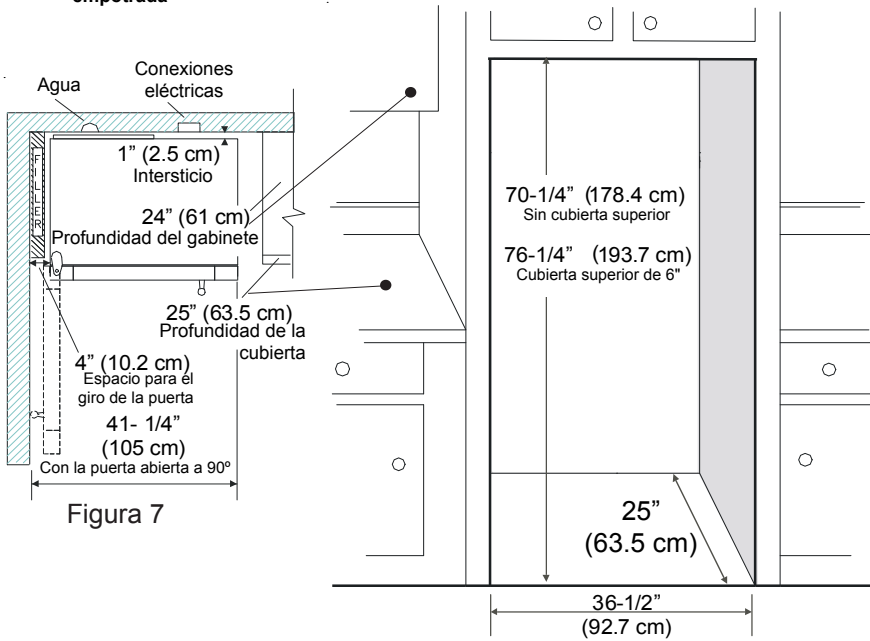


Figura 7

Figura 8

# INSTALACIÓN

## Herramientas necesarias

Usted necesitará las siguientes herramientas:

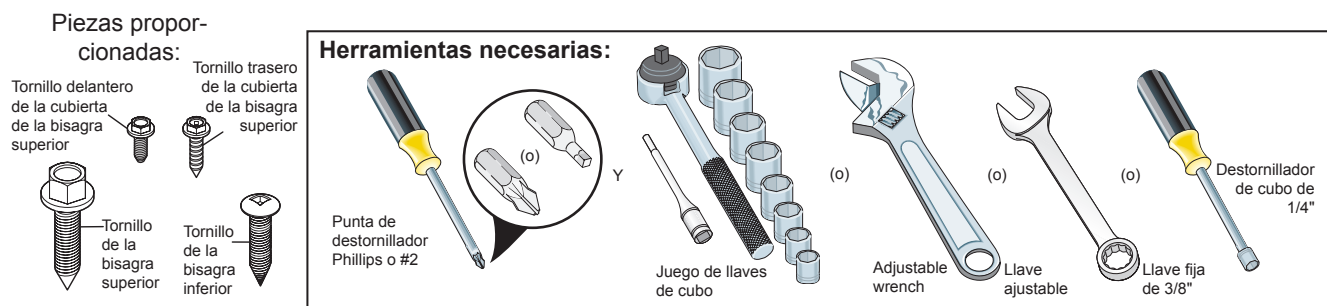


Figura 9

Esta Guía de uso y cuidado le proporciona instrucciones generales de instalación y funcionamiento para su modelo de electrodoméstico. Recomendamos contratar a un profesional de servicio o de remodelaciones para instalar el refrigerador. Use su refrigerador solamente como se indica en esta Guía de uso y cuidado.

**Antes de encender el refrigerador, siga estos importantes primeros pasos.**

## Ubicación

- Elija un lugar que se encuentre próximo a un tomacorriente con conexión a tierra sin protección de falla de conexión a tierra. No utilice un cable de extensión ni un adaptador.
- Si es posible, coloque el refrigerador en un lugar donde no reciba luz solar directa. Colóquelo lejos de la estufa, del lavavajillas automático y de cualquier otra fuente de calor.
- El refrigerador debe ser instalado en un piso que tenga la superficie nivelada y que resista el peso del refrigerador completamente cargado.
- Tenga en cuenta la disponibilidad de suministro de agua en aquellos modelos que incluyen un fabricante automático de hielo.



## PRECAUCION

NO instale el refrigerador en lugares donde la temperatura descienda de los 55°F (13°C) o se eleve por encima de los 110°F (43°C). El compresor no podrá mantener las temperaturas adecuadas dentro del refrigerador.

NO bloquee la rejilla inferior en la parte delantera de la base del refrigerador. Se necesita circulación suficiente de aire para asegurar el funcionamiento adecuado del refrigerador.

## Instalación

- Deje los siguientes espacios libres para facilitar la instalación del refrigerador, la circulación adecuada del aire y las conexiones eléctricas y de plomería:  
Costados y parte superior  $\frac{3}{8}$ " (9,5 mm)  
Parte trasera 1" (25,4 mm)

## NOTA

Si instala su refrigerador con las bisagras contra una pared, es posible que deba dejar un mayor espacio libre para poder abrir la puerta completamente.

## Apertura de la puerta

## NOTA

Las puertas del refrigerador están diseñadas para cerrarse por sí solas a un ángulo de apertura de 20 grados.

El refrigerador debe instalarse de manera que, al extraer alimentos de su interior, permita el acceso a un mostrador. Para poder usar mejor los cajones y las cestas del refrigerador, el mismo debe estar en una posición en la que ambas puertas puedan abrirse completamente.

## Consejos para la colocación del refrigerador en su ubicación final:

- Las cuatro esquinas de la unidad deben descansar firmemente sobre el piso.
- El refrigerador debe estar nivelado en la parte delantera y trasera.
- Los costados deben estar inclinados  $\frac{1}{4}$ " (6 mm) de adelante hacia atrás (para asegurarse de que las puertas cierren adecuadamente).
- Las puertas deben estar alineadas la una con la otra y estar niveladas.

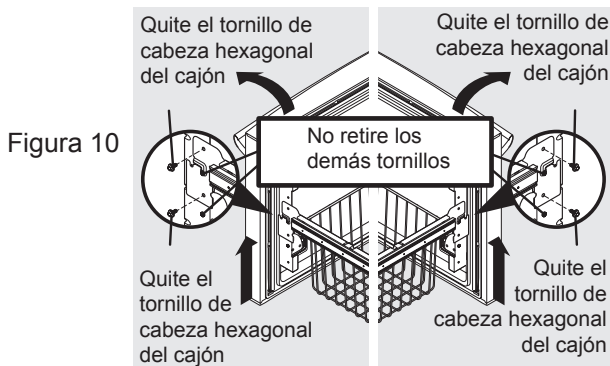
La mayoría de estas condiciones se pueden cumplir subiendo o bajando las ruedas delanteras ajustables.

# INSTALACIÓN

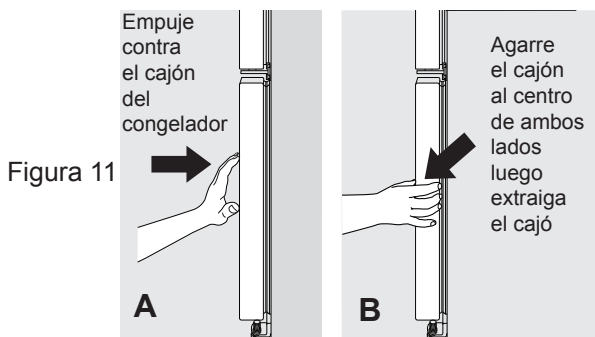
## Nivelación del cajón del congelador

### (de ser necesario)

1. Verifique el sello de las juntas en la parte superior, inferior y costados del cajón del congelador.
2. Si las juntas no están selladas, abra el cajón y afloje ligeramente cuatro tornillos del cajón (dos de cada lado) para permitir rotar al cajón.
3. Cierre el cajón y vuelva a verificar el sello de la junta (A). Abra el cajón sujetando los costados en el centro (B). Tenga cuidado para no rotar el cajón.



4. Apriete cuatro tornillos del cajón.
5. Vuelva a verificar el sello de la junta.



## Nivelación del refrigerador y ajuste de las puertas

### (de ser necesario)

Pautas para el posicionamiento final de su refrigerador:

- Las cuatro esquinas del gabinete deben estar firmemente apoyadas en el piso.
- Los costados deben inclinarse  $\frac{1}{4}$  de pulgada (6 mm) del frente hacia atrás (para garantizar que las puertas queden cerradas herméticamente).
- Las puertas deben estar alineadas entre sí y estar niveladas.

Es posible cumplir la mayoría de esas condiciones elevando o bajando los rodillos ajustables frontales.

Para nivelar el gabinete mediante los rodillos frontales:

1. Abra levemente el cajón del congelador.
2. Retire la rejilla inferior

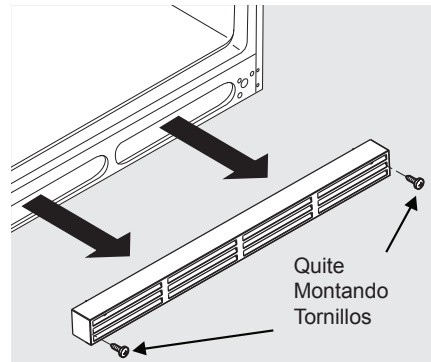
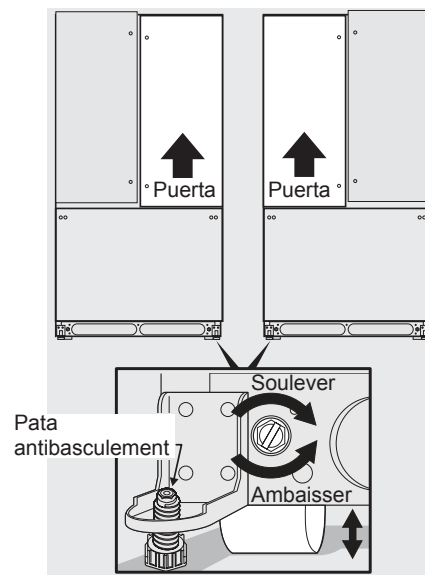


Figura 12: quite los tornillos y luego tire suavemente hacia adelante.

3. Puede levantar o bajar cada una de las puertas. Use una llave de  $\frac{3}{8}$  pulgadas para hacer girar los tornillos de ajuste (1 por lado). **Para levantar:** haga girar el tornillo de ajuste en sentido horario. **Para bajar:** haga girar el tornillo de ajuste en sentido antihorario.
4. Verifique que ambas puertas se muevan libremente, que los sellos toquen el gabinete en los cuatro costados y que el gabinete esté estable.
5. Después de nivelar la unidad, baje el sostén antivuelco hasta que entre en contacto con el piso.



6. Instale la rejilla inferior encajándola en su lugar (reemplazando los tornillos en algunos modelos).



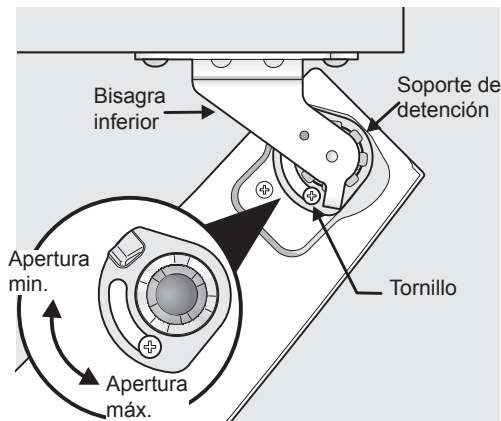
# INSTALACIÓN

## Para ajustar el tope de la puerta:

Puede ajustar el tope de la puerta a un ángulo entre los 85 y 145 grados.

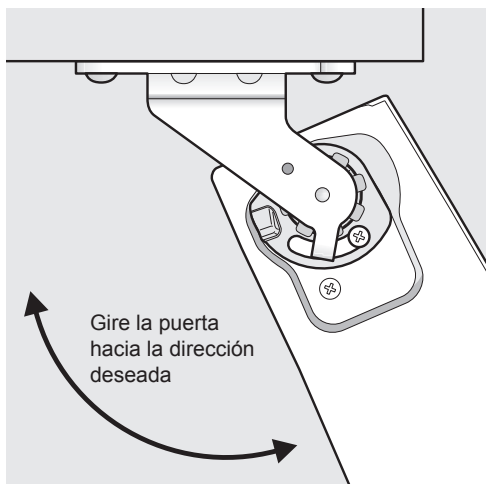
### NOTA

El punto de vista de la figura es mirando la parte inferior de la puerta del refrigerador desde abajo.



**Tope ajustable para la puerta** Figura 14

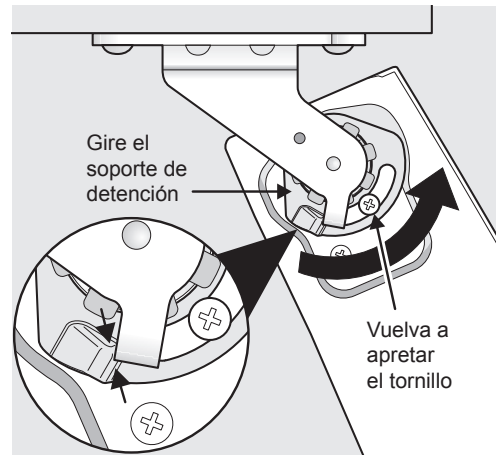
1. Abra la puerta para obtener acceso al tornillo.
2. Afloje el tornillo.
3. Ajuste la puerta a la ubicación deseada.



**Ajuste de la puerta** Figura 15

4. Gire el tope de la puerta hasta que entre en contacto con la bisagra inferior.

5. Vuelva a apretar el tornillo.



**Vuelva a apretar el tornillo** Figura 16

6. Asegúrese de que los topes de la puerta estén en la ubicación deseada antes de regresar al modo de funcionamiento normal.

# INSTALACIÓN

## Para ajustar la aleta parteluz:

1. Afloje el tornillo ubicado en la bisagra de la aleta parteluz

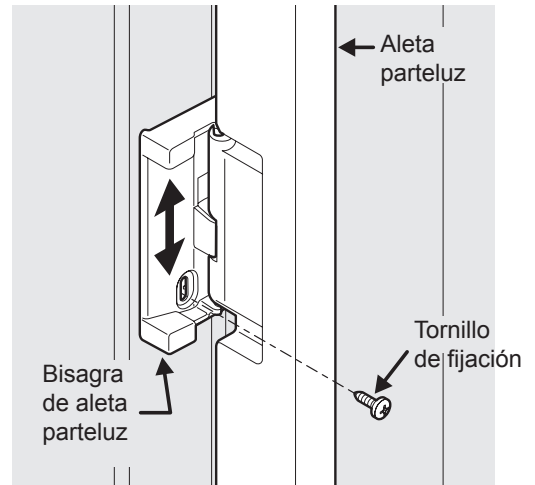


Figura 17

Ajuste del tornillo de la aleta parteluz

2. Ajuste la altura de la aleta parteluz. Para realizar adecuadamente la conexión con la guía de la aleta parteluz, debe haber suficiente separación entre la guía y la aleta parteluz (aproximadamente el grosor de una moneda, es decir, 0,06" o 1,5 mm).

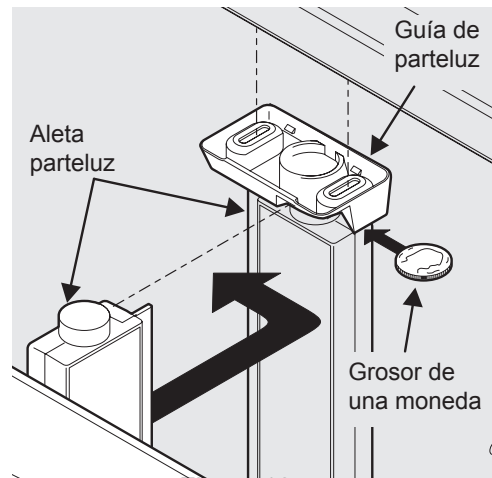


Figura 18

Ajuste de la altura de la aleta parteluz

3. Vuelva a apretar el tornillo.

# DESINSTALACIÓN DE LAS PUERTAS

## Cómo pasar a través de espacios estrechos

Si el refrigerador no pasa a través de una entrada, puede retirar las puertas. Verifique primero midiendo la entrada.

### Preparación para el desmontaje de las puertas:

1. Asegúrese de que el cable eléctrico esté desenchufado del tomacorriente de la pared.
2. Abra el cajón del congelador y retire la rejilla inferior (vea la sección "Instalación").
3. Retire cualquier alimento que haya en los compartimientos de la puerta y cierre las puertas.

### Para retirar las cubiertas de las bisagras superiores:

1. Retire los dos tornillos de la cubierta que cubre cada bisagra superior de la puerta.
2. Levante el borde inferior de la cubierta de la bisagra e inclínela hacia atrás.

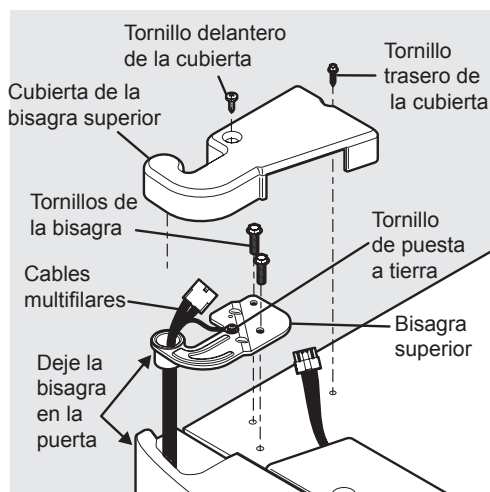


Figura 19

## NOTA

NO retire el tornillo de puesta a tierra de la bisagra.

### Para retirar las puertas del refrigerador:

1. Marque levemente con un lápiz alrededor de las bisagras superiores de la puerta. Esto facilita la reinstalación.

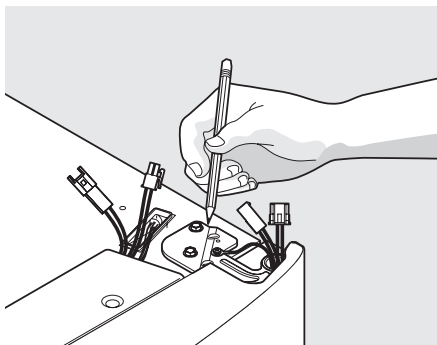


Figura 20

2. Desconecte el enchufe preformado sosteniendo firmemente ambos lados del conector, presionando el gancho y tirando de ambos lados. Retire los dos tornillos de la bisagra superior. Levante la puerta para sacarla de la bisagra inferior y déjela a un lado.

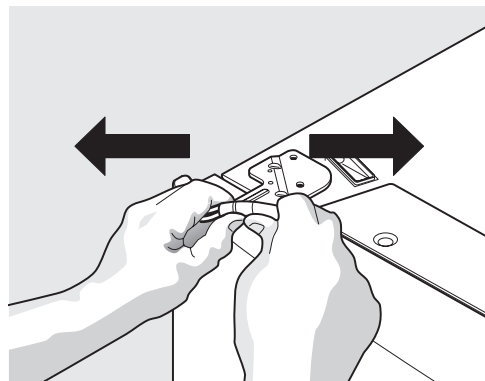


Figura 21

3. Retire los tres tornillos de la bisagra inferior y la bisagra si es necesario.

Para reinstalar la puerta derecha, invierta los pasos anteriores.

### Desinstalación de la bisagra inferior

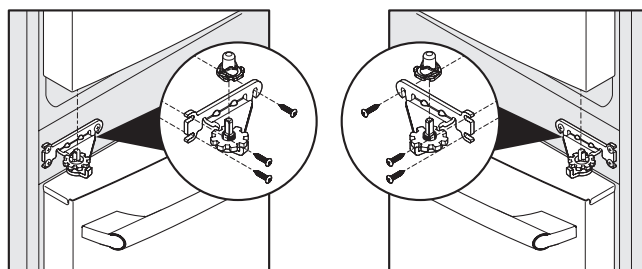


Figura 22

Una vez que ambas puertas estén en su lugar, asegúrese de que estén alineadas la una con la otra y que estén niveladas (vea la sección "Instalación" para obtener más detalles) y vuelva a colocar la tapa de la bisagra superior.



## PRECAUCION

Asegúrese de que las puertas se dejen en una posición segura donde no puedan caerse y causar lesiones personales o daños a las puertas o manijas.

# DESINSTALACIÓN DE LAS PUERTAS

## Desinstalación del cajón del congelador

1. Abra el cajón del congelador.
2. Retire los tornillos del cajón que se encuentran en los costados derecho e izquierdo (dos tornillos a cada lado).

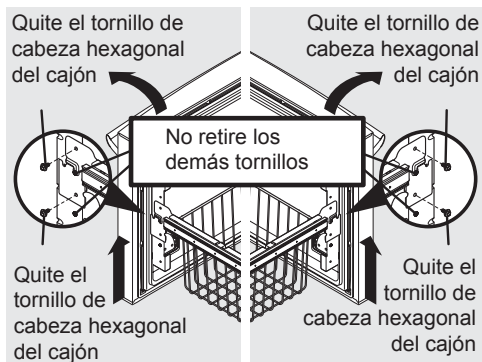


Figura 23



El cajón es pesado. Tenga cuidado cuando lo levante.

3. Levante el cajón y tire de él para retirarlo.

## Instalación del cajón del congelador

1. Habiendo retirado los rieles inferiores, cuelgue el cajón sobre los soportes de los rieles asegurándose de que los pasadores de cada costado se hayan introducido en las ranuras a cada lado.

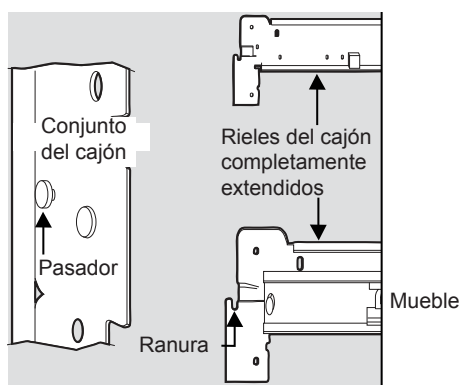


Figura 24

2. Vuelva a colocar cuatro tornillos del cajón (dos por cada lado), apriételes y cierre el cajón (C).

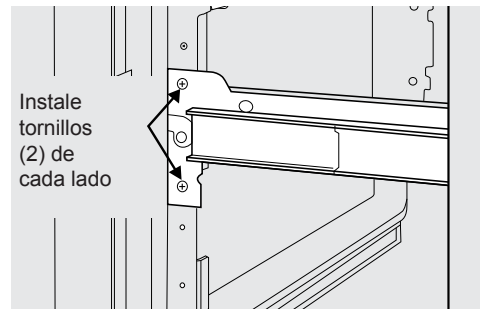


Figura 25

3. Verifique el hermetismo de la junta en la parte superior, inferior y los costados del cajón del congelador.
4. Si la junta no cierra herméticamente, abra el cajón y afloje levemente los cuatro tornillos del cajón (dos de cada lado) para permitir que el cajón gire.
5. Cierre el cajón y vuelva a verificar el hermetismo de la junta (A). Abra el cajón sosteniéndolo por los costados del centro (B). Tenga cuidado de no girar el cajón.

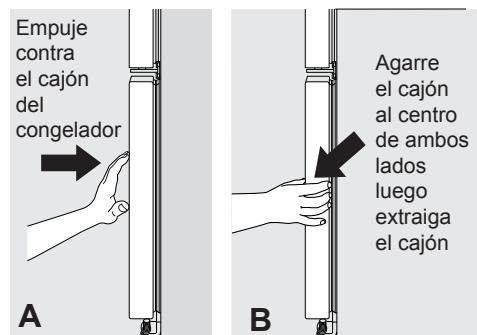


Figura 26

6. Apriete cuatro tornillos del cajón.
7. Vuelva a verificar el hermetismo de la junta.
8. Instale la rejilla inferior en su lugar.

# CONEXIÓN DEL SUMINISTRO DE AGUA



## ADVERTENCIA

Para evitar choques eléctricos, los cuales pueden causar la muerte o lesiones graves, desconecte el refrigerador del suministro eléctrico antes de conectar una tubería de suministro de agua al refrigerador.



## PRECAUCION

### Para evitar daños a la propiedad:

- Se recomienda el uso de tuberías tejidas de cobre o de acero inoxidable para el suministro de agua. No se recomienda el uso de tuberías de suministro de agua de plástico de 1/4". Las tuberías de plástico aumentan la posibilidad de escapes de agua, por lo que el fabricante no se hará responsable por ningún daño si las utiliza para el suministro.
- NO instale la tubería de suministro de agua en áreas donde las temperaturas puedan llegar a estar por debajo de los 32°F (0°C).
- Las sustancias químicas provenientes de un suavizador de agua defectuoso pueden dañar el fabricante de hielo. Si el fabricante de hielo está conectado a un suavizador de agua, asegúrese de que dicho suavizador reciba mantenimiento y que funcione correctamente.

## NOTA

Asegúrese de que las conexiones de la tubería de suministro de agua cumplan con todas las normas locales de plomería.

### Para instalar la tubería de suministro de agua se necesita lo siguiente:

- Herramientas básicas: llave ajustable, destornillador plano y destornillador PhillipsMC.
- Acceso a una tubería de agua fría de la vivienda con presión entre 30 y 100 psi.
- Una tubería de cobre o de acero inoxidable para suministro de agua de 1/4" (6,4 mm) de diámetro externo. Para determinar la longitud necesaria de la tubería, mida la distancia desde la válvula de admisión del fabricante de hielo (en la parte trasera del refrigerador) hasta la tubería de agua fría. Luego agregue aproximadamente 7 pies (2,1 m) de tubería para poder sacar el refrigerador para la limpieza (como se muestra).
- Una válvula de cierre para conectar la tubería de suministro de agua al sistema de tuberías de su vivienda. NO use una válvula de asiento autopercutor de cierre.
- No vuelva a utilizar los accesorios de compresión ni utilice cinta para sellar roscas.
- Una tuerca de compresión y una guarnición (manguito) para conectar la tubería de cobre del suministro de agua a la válvula de admisión del fabricante de hielo.

## NOTA

Consulte las autoridades locales de construcción para obtener recomen-

daciones para las tuberías de agua y los materiales correspondientes antes de instalar el refrigerador nuevo.

### Para conectar la tubería de suministro de agua con la válvula de admisión del fabricante de hielo

1. Desconecte el refrigerador del suministro eléctrico.
2. Coloque el extremo de la tubería de suministro de agua en un fregadero o un cubo. ABRA el suministro de agua y deje correr el agua en la tubería hasta que salga agua limpia. CIERRE el suministro de agua con la válvula de cierre.
3. Retire la tapa plástica de la admisión de la válvula de agua y deseche la tapa.
4. Si utiliza tuberías de cobre, deslice la tuerca de compresión de latón y la guarnición (manguito) en la tubería de suministro de agua. Inserte la tubería de agua en la admisión de la válvula de agua tan adentro como sea posible (1/4" / 6,4 mm). Inserte la guarnición (manguito) en la admisión de la válvula y apriete a mano la tuerca de compresión en la válvula. Apriete media vuelta adicional con una llave. NO apriete demasiado. Vea la figura 27. Si utiliza tuberías de acero inoxidable, la tuerca y la férula ya están colocadas en la tubería. Deslice la tuerca de compresión sobre la admisión de la válvula y apriétela a mano. Apriete media vuelta adicional con una llave. NO apriete demasiado. Vea la figura 28.
5. Asegure la tubería de suministro de agua (tubería de cobre solamente) al panel trasero del refrigerador, como se muestra, usando la abrazadera de acero y el tornillo.
6. Enrolle la tubería sobrante (tubería de cobre solamente) (aproximadamente 2 vueltas y media) detrás del refrigerador, como se muestra en la figura, y colóquela de manera que no vibre ni roce ninguna otra superficie.
7. ABRA la válvula de suministro de agua y apriete cualquier conexión que presente escapes.
8. Vuelva a conectar el refrigerador al suministro eléctrico.
9. Para encender el productor de hielo, baje el brazo de señal metálico (productor de hielo del congelador) o coloque el interruptor de alimentación de encendido/apagado del productor de hielo en la posición de "Encendido" (productor de hielo de alimentos frescos).

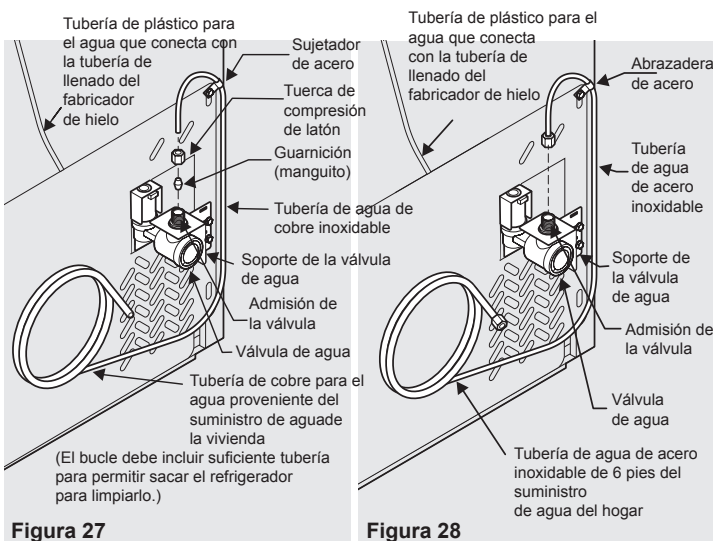


Figura 27

Figura 28

# CONTROLES



Figura 29

Una luz indicadora roja se encenderá sobre la mayoría de las funciones de modo activo.

Toque un símbolo para activar las siguientes opciones.

### "fast freeze" (congelado rápido)

Activa la función de congelado rápido de alimentos

### "fast ice" (hielo rápido)

Aumenta la producción de hielo

### "energy saver" (ahorro de energía)

Mantenga este interruptor configurado en ahorro de energía (luz encendida) para obtener el menor uso de energía. Si aparece humedad en el gabinete entre las puertas, al presionar este botón, se apagará la luz y permitirá que un calentador eléctrico utilizado reduzca la humedad del gabinete entre las puertas.

### Filtro de agua

Oprímalo y manténgalo oprimido durante tres segundos para reponerlo después de cambiar el filtro.

### Filtro de aire

El estado de la condición del filtro se mostrará siempre que la puerta esté abierta. Oprímalo y manténgalo oprimido durante tres segundos para reponerlo después de cambiar el filtro.

### "temp mode" (modo de temperatura)

Toque este ícono para cambiar el formato de temperatura de Fahrenheit a Celsius.

### "mute sounds" (modo silencioso)

Permite desactivar las señales sonoras emitidas al oprimir cada tecla según las preferencias del usuario. El modo silencioso está activado cuando la luz indicadora roja está encendida. Las señales de alerta permanecerán activas.

### "default settings" (configuración predeterminada)

Restablece la configuración del refrigerador (como la temperatura, despliegue de la temperatura y las señales sonoras) al ajuste predeterminado de fábrica.

### "on off" (encendido/apagado)

Oprima y mantenga oprimido este ícono durante tres segundos para apagar el sistema de enfriamiento para limpiar el refrigerador. También apaga el fabricante de hielo. Las pantallas de temperatura mostrarán "OFF" (apagado).

## Ajuste de las temperaturas de enfriamiento

Oprima el indicador + o el – para ajustar la temperatura al valor deseado.

La temperatura destellará en la pantalla al primer toque. El despliegue de la temperatura se apagará después de 10 segundos y la pantalla regresará a su modo de funcionamiento normal.

## Alarmas

### Puerta abierta

Si la puerta se deja abierta por un periodo prolongado de tiempo, sonará una alarma y el indicador de puerta abierta se iluminará (en la pantalla inferior del panel de control). La alarma se desactiva cerrando la puerta. La tecla del modo silencioso parpadeará para indicar que hay alarmas activas. Oprima esta tecla para restaurar cualquier alarma del sistema.

### Temperatura alta

En caso de temperatura alta, el indicador de temperatura destellará y mostrará el mensaje "HI" (alta). Después de 20 minutos, la alarma sonará y el indicador de alta temperatura se encenderá de color rojo en la parte inferior del panel de control. El ícono de modo silencioso se encenderá hasta que lo oprima para confirmar la alarma. En ese momento se mostrará la temperatura más alta alcanzada y el refrigerador continuará su funcionamiento normal. Si no confirma la alarma de temperatura alta en la primera interrupción de la alarma sonora, la alarma se encenderá nuevamente cuando abra la puerta por primera vez.

### "Power Fail" (falla eléctrica)

En caso de una falla eléctrica, la alarma "power fail" (falla eléctrica) se mostrará en la pantalla y destellará hasta que oprima el ícono "mute sounds" (modo silencioso) para indicar que recibió el mensaje. Es posible que las demás funciones se desactiven hasta que indique que recibió el mensaje de alarma. La alarma "power fail" (falla eléctrica) se apagará y el refrigerador regresará a su modo de funcionamiento normal. **La alarma de temperatura alta también puede permanecer iluminada hasta que el refrigerador alcance una temperatura de funcionamiento segura.**

## CONTROLES

### NOTA

Oprimir el símbolo "system on/off" (encender/apagar el sistema) no desconecta el suministro eléctrico al refrigerador. Para desconectar el suministro eléctrico, debe desenchufar el cordón eléctrico del tomacorriente.

### Modo sabático

El modo sabático es una función que desactiva parte de las opciones del refrigerador y los controles según la observación del Shabat y las fiestas judías por parte de la comunidad judía ortodoxa.

Puede ACTIVAR y DESACTIVAR el modo sabático oprimiendo y manteniendo oprimidas simultáneamente por cinco segundos la tecla "-" en el control de temperatura del congelador y la tecla "+" en el control de temperatura del refrigerador. La pantalla mostrará "Sb" durante el modo sabático.

En el modo sabático, la alarma de temperatura alta permanece activa por razones de salud. Si se activa la alarma de temperatura alta durante este tiempo (por ejemplo, si se deja la puerta abierta), la alarma sonará de manera intermitente aproximadamente durante dos minutos. La alarma se suspenderá automáticamente y se mostrará un ícono rojo indicador de temperatura alta. El ícono de temperatura alta permanecerá encendido, incluso si se cierra la puerta, hasta que se desactive el modo sabático y se restablezca la alarma. El refrigerador funcionará de manera normal una vez que se cierre la puerta sin incumplir ninguna norma de Shabat o de las fiestas judías.

### NOTA

Durante el modo sabático, no funcionarán las luces ni el panel de control hasta que se desactive el modo sabático. El refrigerador permanecerá en el modo sabático después de una falla eléctrica. Esta función debe ser desactivada usando los botones del panel de control.

### NOTA

Durante el modo sabático, el control principal apaga el fabricante de hielo.

### Modo sabático y el cajón Select Temp

El cajón Select Temp debe estar apagado durante el Shabat y otras fiestas judías. Antes de activar el modo sabático del refrigerador, apague el cajón Select Temp oprimiendo el botón "on/off" (encendido/apagado) del cajón. La pantalla mostrará "OFF" (apagado) y el cajón se apagará. Luego acceda a la función de modo sabático en la pantalla principal del refrigerador. Consulte la sección "Modo sabático" de las instrucciones del refrigerador controlado. Cuando el electrodoméstico esté en modo sabático, la pantalla no se encenderá y el cajón permanecerá apagado. Puede seguir usando el cajón como un cajón normal sin control de temperatura. Cuando se apague el modo Sabático, deberá volver a encender el cajón Select Temp.

### NOTA

Si el cajón Select Temp no se apaga antes de activar el modo sabático, el mismo se ajustará automáticamente para mantener la temperatura seleccionada incluso si la pantalla no se enciende para mostrar que está activado.

# FABRICADOR AUTOMÁTICO DE HIELO

## Cuidado y funcionamiento del distribuidor de hielo

Después de haber instalado el refrigerador correctamente, el fabricante de hielo podrá comenzar a producir hielo durante las siguientes 24 horas. El depósito de hielo tardará aproximadamente tres días para llenarse.

Cuando utilice el fabricante de hielo por primera vez, y para que el mismo funcione correctamente, es necesario liberar el aire atrapado en la tubería del filtro de agua. Una vez que el fabricante de hielo comience a fabricar hielo, permita que el depósito para hielo se llene y deseche los primeros DOS depósitos de hielo COMPLETOS. El fabricante de hielo tardará por lo menos dos días para llenar el depósito completamente en modo normal o 1 día y medio en modo rápido.

El fabricante de hielo produce cuatro libras (1,8 kg) de hielo cada 24 horas, dependiendo de las condiciones de uso.

## NOTA

El fabricante de hielo se activa en la fábrica, de modo que pueda funcionar tan pronto como instale su refrigerador. Si no puede conectar el suministro de agua, levante el brazo del fabricante de hielo para apagarlo. De lo contrario, la válvula de llenado de la máquina de hacer hielo puede producir ruido cuando trate de funcionar sin agua.

## Para encender y apagar el fabricante de hielo

La producción de hielo se controla levantando y bajando el brazo de alambre del fabricante de hielo. Para acceder al fabricante, tire del cajón del congelador hacia afuera. Levante el brazo de alambre para APAGAR el fabricante de hielo y bájelo para ENCENDERLO.

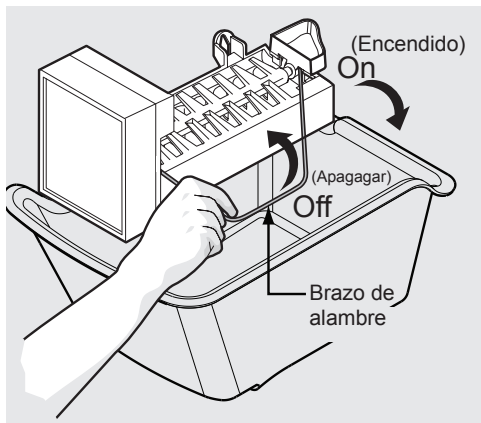


Figura 30

## Sugerencias para el fabricante de hielo

- Si su refrigerador no está conectado a un suministro de agua o el suministro de agua se ha cerrado, apague el fabricante de hielo levantando el brazo de alambre.
- Los cubos de hielo almacenados durante un tiempo prolongado pueden adquirir un sabor extraño. Vacíe el envase de hielo como se indica a continuación.

- Los siguientes sonidos son normales cuando el fabricante de hielo está en funcionamiento:
  - Motor en funcionamiento
  - El hielo que cae en el depósito de hielo
  - Apertura o cierre de la válvula de agua
  - Agua que fluye

## Función de hielo rápido

El refrigerador viene equipado con una función "inteligente" de hielo rápido que, de ser activada en la interfaz del usuario, le permitirá aumentar la producción de hielo. No es necesario desactivar esta función; de no necesitarla, el refrigerador funcionará normalmente.



## PRECAUCION

Si el suministro de agua al refrigerador pasa por un suavizador, asegúrese de que el suavizador se mantenga funcionando de manera apropiada. Las sustancias químicas provenientes de un suavizador de agua pueden dañar el fabricante de hielo.

## Limpieza del fabricante de hielo

Limpie el fabricante de hielo y el depósito de hielo con frecuencia, especialmente antes de mudarse o salir de vacaciones.

1. Apague el fabricante de hielo.
2. Retire el depósito de hielo.
3. Vacíe y limpie cuidadosamente el depósito del hielo con un detergente suave. No use limpiadores abrasivos o ásperos. Enjuague con agua limpia.
4. Espere a que el depósito del hielo se seque completamente antes de volver a colocarlo en el congelador.
5. Vuelva a colocar el depósito de hielo. Encienda el fabricante de hielo.

Retire y vacíe el depósito de hielo si:

- Una falla de energía eléctrica prolongada (una hora o más), causará que los cubos de hielo en el depósito comiencen a derretirse y a quedar congelados adheridos entre sí.

Retire el depósito de hielo y sacúdalo para aflojar los cubos o límpielo como se explicó anteriormente.



## PRECAUCION

**NUNCA** use un picahielo o un instrumento afilado similar para separar el hielo. Esto podría dañar el depósito de hielo.

Para liberar el hielo atascado, use agua tibia. Antes de reinstalar el depósito, asegúrese de que esté completamente seco.



# CARACTERÍSTICAS DEL ALMACENAMIENTO INTERIOR

## Características de las bandejas



Para evitar lesiones causadas por rotura, manipule cuidadosamente las bandejas de vidrio templado.

Su refrigerador incluye bandejas de vidrio, las cuales han sido diseñadas para atrapar y contener derrames accidentales.

Es posible ajustar fácilmente las posiciones de las bandejas en el refrigerador de acuerdo con sus necesidades. Las bandejas tienen soportes de montaje que se instalan en los soportes ranurados en la parte trasera de cada compartimiento.

Para cambiar la posición de una bandeja:

1. Antes de ajustar una bandeja, retire todos los alimentos que estén encima.
2. Levante el borde delantero hacia arriba y tire de la bandeja para sacarla.
3. Vuelva a instalar la bandeja insertando los ganchos del soporte de montaje en las ranuras de soporte correspondientes.
4. Baje la bandeja y acóplela en su lugar.

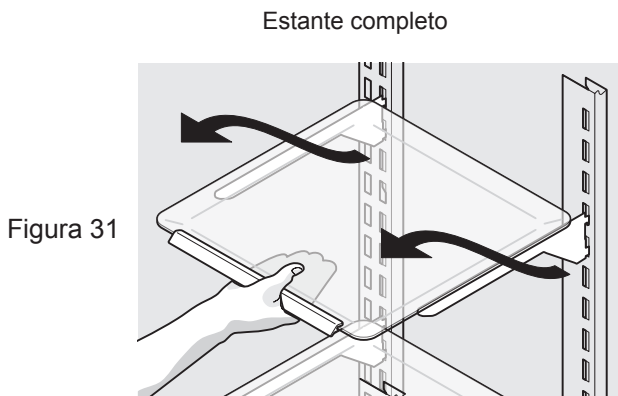


Figura 31

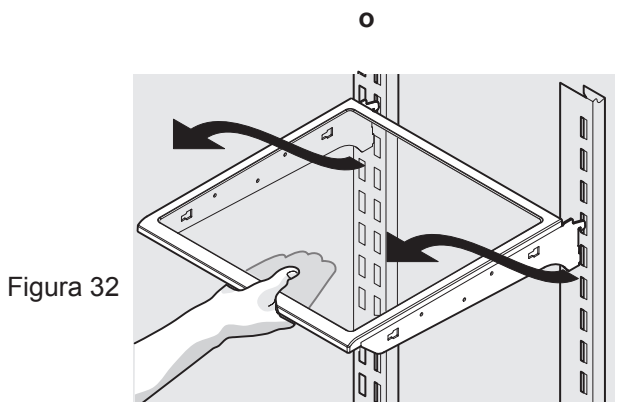


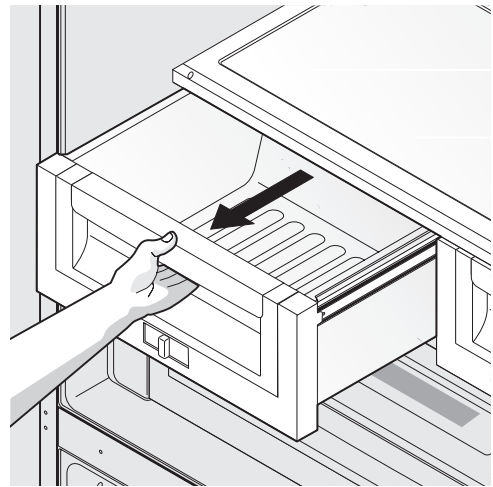
Figura 32

## Cajones

Su refrigerador incluye una variedad de cajones de almacenamiento. Estos cajones se encuentran en posiciones fijas en la parte inferior del refrigerador.

### Cajones para las verduras

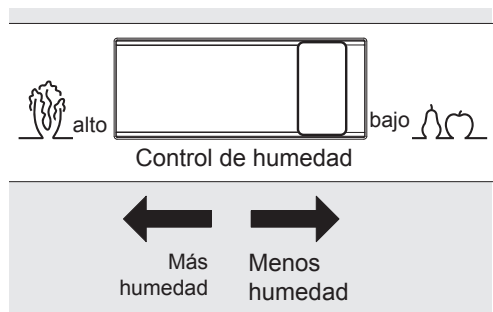
Los cajones para las verduras han sido diseñados para guardar frutas, verduras y otros alimentos frescos.



Para abrir el cajón para verduras Figura 33

### Control de humedad del cajón de las verduras

Los cajones de las verduras están equipados con un control deslizante para ajustar la humedad dentro del cajón. Las verduras de hojas grandes permanecen mejor conservadas con el control de humedad en la posición de mayor humedad. La fruta fresca permanece mejor conservada con el control de humedad en la posición de menor humedad.



Para ajustar el nivel de humedad del cajón para verduras

Figura 34

## CARACTERÍSTICAS DEL ALMACENAMIENTO INTERIOR

### Para remover el cajón para verduras para limpiarlo:

1 Tire del cajón hasta que se detenga.  
2 Levante levemente la parte delantera y retire el cajón.

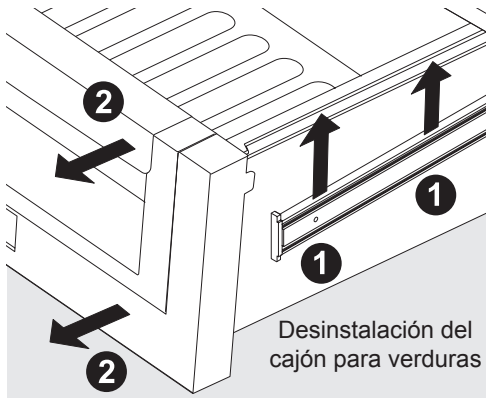


Figura 35

### Soporte para artículos especiales (algunos modelos)

El diseño innovador de los soportes para artículos especiales le permite refrigerar cuatro botellas de vino o de bebidas gaseosas.

Soporte para artículos especiales

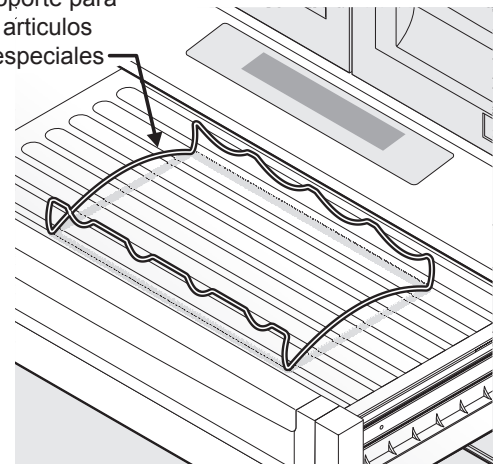


Figura 37

### Cool Zone (zona fría)

Algunos modelos están equipados con un cajón de la carne para conservación a corto plazo de trozos de carne voluminosos. Este cajón tiene controles deslizantes para ajustar la humedad interior. Cualquier carne que vaya ser guardada por más de dos días debe congelarse. Si guarda frutas o verduras en este cajón, aumente el ajuste de humedad.

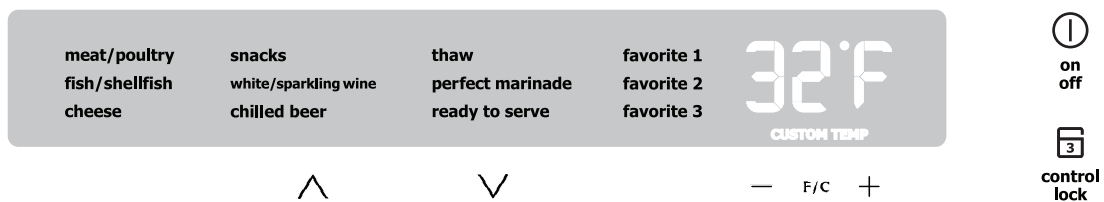
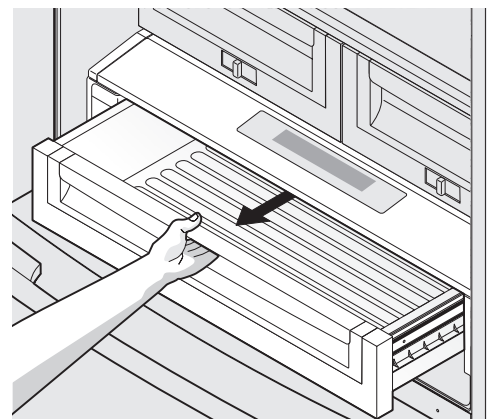


Figura 36

### Para utilizarlo:

1. Para encender y apagar esta función, oprima el botón "On/Off" (encendido/apagado) del cajón. La pantalla digital mostrará una temperatura entre los 28° F y 42° F cuando esté encendida y "OFF" (apagado) cuando esté apagada.
2. Oprima "F/C" para cambiar la pantalla para que muestre grados Fahrenheit "F" o Celsius "C".
3. Oprima los botones de navegación hacia arriba  $\wedge$  o hacia abajo  $\vee$  para seleccionar la opción deseada.
4. Una vez que seleccione una opción, el cajón se ajustará y mantendrá la temperatura para el ajuste seleccionado.
5. Cuando está apagado, el cajón Select Temp funciona como una bandeja para carnes normal. El cajón Select Temp es ideal para alimentos empacados. Es mejor guardar las verduras y las frutas sin empaque en uno de los cajones para verduras.
6. Las tres selecciones favoritas ofrecen flexibilidad de configurar y guardar opciones de temperatura personalizadas. Puede ajustar la temperatura oprimiendo los botones "+" o "-". El cajón mantendrá la temperatura seleccionada hasta que sea cambiada.
7. Puede bloquear el control para evitar cambios accidentales oprimiendo el botón "control lock" (bloqueo del control) durante tres segundos. Desactive esta opción oprimiendo nuevamente el botón durante tres segundos.



Para abrir el cajón

Figura 38

# CARACTERÍSTICAS DEL ALMACENAMIENTO INTERIOR

## NOTA

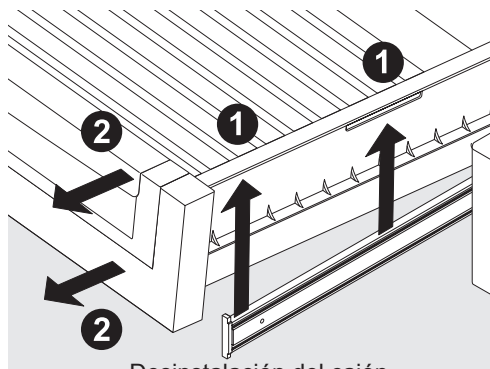
NO limpie la pantalla del cajón Select Temp con limpiadores abrasivos o cáusticos. Limpie con una esponja húmeda.

## PRECAUCIÓN

El cajón Select Temp y la cubierta pueden ser removidos para limpiarlos, pero la unidad de control, fijada a la parte derecha del refrigerador, no puede ser removida. No sumerja la tapa del cajón Select Temp en agua ni la coloque en un lavavajillas. Límpiela con un paño húmedo o con una esponja.

### Para retirar el cajón Select Temp para limpiarlo:

1. Tire del cajón hasta que se detenga.
2. Levante levemente la parte delantera y retire el cajón.



Desinstalación del cajón

Figura 39

## NOTA

Cuando se apaga el refrigerador usando el botón principal de encendido/apagado controle, el cajón Select Temp también se apaga. Cuando se vuelve a encender el refrigerador, el cajón Select Temp continúa funcionando al ajuste programado antes de que se apagara el refrigerador.

### Puertas

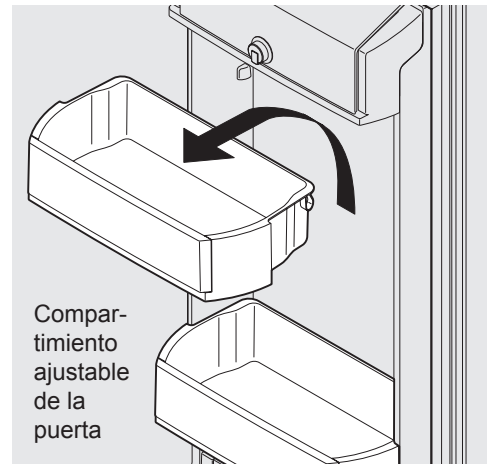
Las puertas del refrigerador tienen un sistema de compartimientos de almacenamiento modulares. Todos estos compartimientos son removibles para facilitar su limpieza. Algunos de ellos tienen posiciones fijas, mientras que otros pueden ser ajustados de acuerdo a sus necesidades.

Los compartimientos de las puertas son ideales para guardar frascos, botellas, latas y envases de bebidas grandes. También permiten seleccionar rápidamente los artículos de uso frecuente.

### Para cambiar de posición un compartimiento ajustable de la puerta:

1. Antes de ajustar un compartimiento, retire todos los alimentos.

2. Sostenga firmemente el compartimiento con ambas manos y levántelo hacia arriba.
3. Retire el compartimiento.
4. Coloque el compartimiento justo sobre el lugar deseado.
5. Baje el compartimiento hacia los soportes hasta que quede acoplado en su lugar.



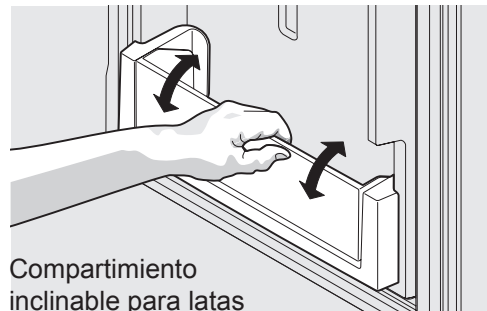
Compartimiento ajustable de la puerta

Figura 40

### Accesorios

#### Compartimientos inclinables para latas

Los compartimientos inclinables para latas le permiten guardar de manera eficiente y segura hasta ocho latas de bebidas de 355 ml.

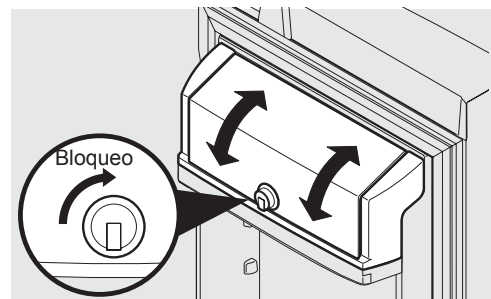


Compartimiento inclinable para latas

Figura 41

#### Compartimiento cerrado de la puerta

Use el compartimiento cerrado situado en la parte superior de la puerta del refrigerador para el almacenamiento (a corto plazo) de queso, productos para untar o mantequilla. El compartimiento cerrado de la puerta está diseñado para estar a una temperatura un poco más alta que el resto del refrigerador. Este compartimiento incluye una tapa que puede ser bloqueada y un divisor (modelos selectos).

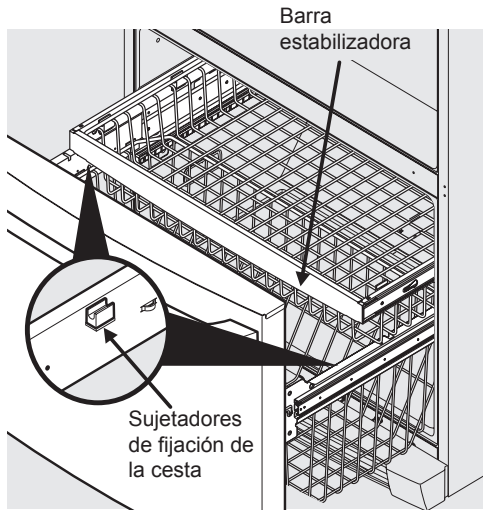


Compartimiento cerrado de la puerta

Figura 42

# CARACTERÍSTICAS DEL ALMACENAMIENTO INTERIOR

## Características del congelador



Dos cestas de congelador

Figura 43

### Para retirar la cesta superior

1. Retire todos los artículos de la cesta.
2. Retire la cesta tirando de ella hasta el tope y luego levántola para sacarla.

Para volver a instalar la cesta superior, coloque la cesta en los sujetadores de retención asegurándose de que la parte delantera de la cesta descansa sobre los sujetadores de la barra estabilizadora.

## NOTA

Si la cesta no descansa sobre los sujetadores de retención de la barra estabilizadora, el cajón no cerrará correctamente.

### Para retirar la cesta inferior

1. Retire todos los artículos de la cesta.
2. Retire la cesta inclinándola hacia adelante y levantándola para separarla de los sujetadores.

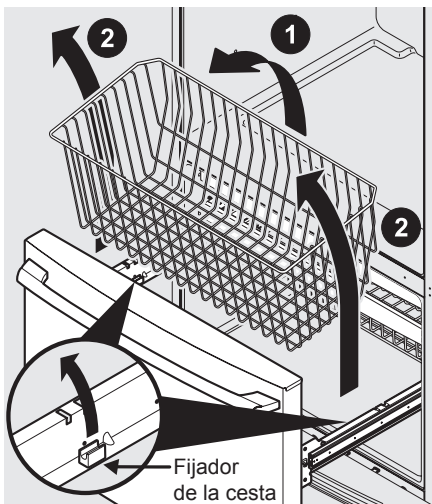


Figura 44

Desinstalación de la cesta inferior

Para reinstalar la cesta inferior, colóquela en los sujetadores de retención.

### Estante inclinable de alambre

El estante inclinable de alambre del congelador (ubicado en el cajón del congelador) no está diseñado para ser desinstalado.

### Desinstalación de las divisiones

Levante la parte delantera de la división superior y tire de ella hacia afuera.

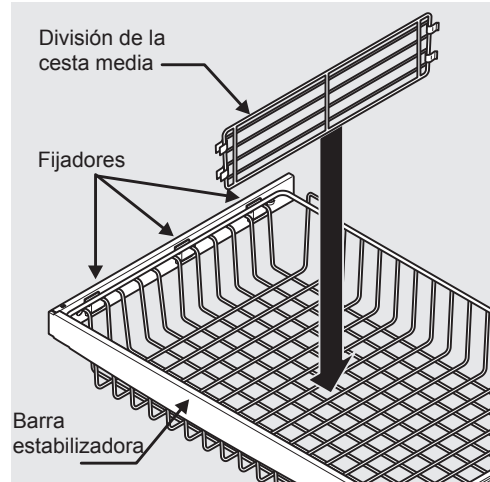


Figura 45

Levante la parte trasera de la división inferior y tire de ella hacia afuera.

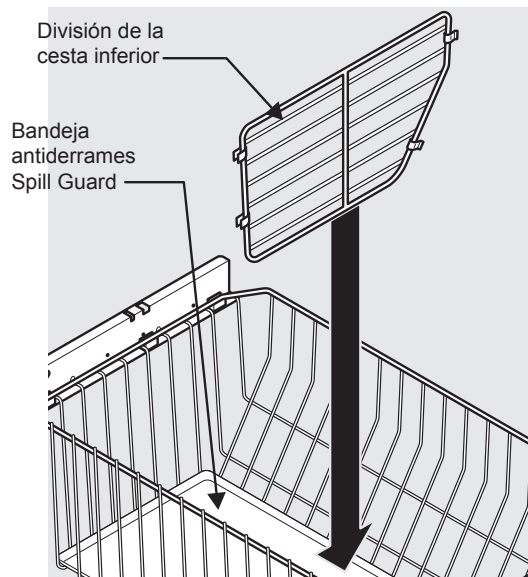


Figura 46

## NOTA

La bandeja antiderrames Spill Guard debe ser lavada a mano en agua tibia.

# ALMACENAMIENTO DE ALIMENTOS Y AHORRO DE ENERGÍA

## Sugerencias para almacenar alimentos

### Almacenamiento de alimentos frescos

- Mantenga la temperatura del refrigerador entre 34°F (1°C) y 40°F (4°C) con una temperatura óptima de 37°F (3°C).
- Evite colocar demasiados alimentos en las bandejas del refrigerador. Esto reduce la circulación del aire y produce enfriamiento irregular.

### Frutas y verduras

- Almacene las frutas y verduras en los cajones especiales, donde la humedad ayuda a mantener la calidad de los alimentos durante más tiempo.
- Lave los alimentos y elimine el exceso de agua.
- Envuelva los productos que tengan olores fuertes o un alto contenido de humedad.

### Carne

- Envuelva bien las carnes crudas separadamente para evitar que goteen y contaminen otros alimentos o superficies.
- Use el cajón para charcutería o el cajón Select Temp y ajústelo en la opción de carnes para almacenamiento a corto plazo. Cualquier carne que vaya a ser guardada por más de dos días debe congelarse.

### Almacenamiento de alimentos congelados

- Mantenga el congelador a una temperatura de 0°F (-18°C) o inferior.
- Un congelador funciona más eficientemente cuando se utilizan  $\frac{2}{3}$  de su capacidad.

### Envoltura de los alimentos para su congelación

- Para reducir al mínimo la deshidratación de los alimentos y el deterioro de la calidad, use papel de aluminio, papel (plástico) de envolver, bolsas de congelador o envases herméticos. Saque todo el aire que sea posible de los paquetes y séllelos herméticamente. El aire atrapado puede secar los alimentos, cambiarles el color y desarrollar un mal sabor (quemadura de congelación).
- Envuelva las carnes de res y de pollo frescas con envoltura para congelador apropiada antes de congelarlas.
- No vuelva a congelar carne que se haya descongelado completamente.

### Almacenamiento en el congelador

- Antes de realizar sus compras, active la opción "fast freeze" (congelación rápida) para asegurarse de que cuando regrese con los alimentos recientemente comprados que deban ser almacenados en el congelador se conserven adecuadamente.
- La activación de la función "fast freeze" (congelación rápida) también ayudará a mantener eficientemente la temperatura seleccionada después de colocar alimentos frescos con otros alimentos previamente congelados.
- Evite agregar demasiados alimentos tibios en el congelador de una sola vez. Esto sobrecarga el congelador, disminuye la velocidad de congelación y puede elevar la temperatura de los alimentos congelados.
- Deje un espacio entre los paquetes de modo que el aire frío pueda circular libremente, permitiendo que los alimentos se congelen lo más pronto posible.

## Sugerencias para el ahorro de energía

### Instalación

- Ubique el refrigerador en la parte más fresca de la habitación, alejado de la luz directa del sol y de las tuberías o rejillas de la calefacción.
- No coloque el refrigerador cerca de los electrodomésticos que produzcan calor, tales como la estufa, el horno o el lavavajillas. Si esto no es posible, instale una sección de los armarios o una capa de aislamiento entre los dos electrodomésticos, para contribuir al mejor funcionamiento del refrigerador.
- Nivele el refrigerador de modo que las puertas cierren herméticamente.

### Ajuste de la temperatura

- Consulte la sección "Controles" para conocer los procedimientos de ajuste de temperatura.

### Almacenamiento de alimentos

- No coloque demasiados artículos en el refrigerador ni bloquee los respiraderos del aire frío. Si lo hace, el refrigerador funcionará por períodos más prolongados y usará más energía.
- Cubra los alimentos y seque los envases antes de colocarlos en el refrigerador. Esto reduce la acumulación de humedad dentro del electrodoméstico.
- Organice el refrigerador a fin de evitar la apertura frecuente de la puerta. Saque tantos artículos como necesite de una sola vez y cierre la puerta tan pronto como sea posible.
- No coloque envases calientes directamente sobre estantes fríos. Recuerde, estos cambios drásticos de temperatura podrían dañar el vidrio.

## SONIDOS NORMALES DE FUNCIONAMIENTO

### Interpretación de sonidos que puede hacer su refrigerador

Su nuevo refrigerador de alta eficiencia puede generar sonidos que no le son familiares. Estos sonidos generalmente indican que su refrigerador está funcionando de manera correcta. Algunas superficies en los pisos, paredes y armarios de la cocina pueden aumentar el volumen de estos sonidos.

A continuación se incluye una lista de los principales componentes de su refrigerador y de los sonidos que pueden producir:

- A. Evaporador** Cuando el refrigerante pasa por el evaporador puede crear un sonido de hervor o gorgoteo.
- B. Ventilador del evaporador** Es posible que se escuche el aire cuando es expulsado a través del refrigerador por el ventilador del evaporador.
- C. Calentador de descongelación** Durante los ciclos de descongelación, el agua que gotea en el calentador de descongelación puede causar un sonido de chisporroteo o crepitación. Después de la descongelación puede producirse un ruido seco.
- D. Fabricador automático de hielo** Cuando el hielo ha sido producido, se puede escuchar los cubos de hielo caer en el depósito de hielo. El ventilador del fabricante de hielo, la activación de la válvula de agua y el flujo del gas refrigerante pueden generar ruido durante el funcionamiento normal.
- E. Control electrónico y control automático de descongelación** Estas piezas pueden producir un ruido seco o un chasquido cuando se enciende y se apaga el sistema de enfriamiento.
- F. Ventilador del condensador** Se puede escuchar el aire cuando es expulsado a través del condensador.
- G. Compresor** Los compresores modernos de alta eficacia funcionan mucho más rápido que en modelos anteriores. El compresor puede producir un zumbido agudo o un sonido pulsante.
- H. Válvula de agua** Produce un zumbido cada vez que se abre para llenar el fabricante de hielo.
- I. Bandeja de desagüe (no extraíble)** Se puede escuchar el agua gotear en la bandeja durante el ciclo de descongelación.
- J. Condensador** El aire forzado puede producir sonidos mínimos.
- K. Regulador motorizado del cajón Select Temp** Puede producir un leve zumbido dura
- L. Paleta de distribución de hielo** Cuando distribuye hielo, escuchará un ruido seco o un chasquido cuando el solenoide abre y se cierra el conducto de hielo.
- M. Regulador motorizado** Puede producir un leve zumbido durante el funcionamiento.
- N. Ventilador del cajón Select Temp** Se apaga cuando se abre la puerta o cuando se desactiva el cajón Select Temp.

### NOTA

La espuma de ahorro de energía de su refrigerador no es anti-acústica.

### NOTA

Durante el ciclo de descongelación automática, es normal ver un reflejo rojo en los respiraderos de la pared trasera de su congelador.

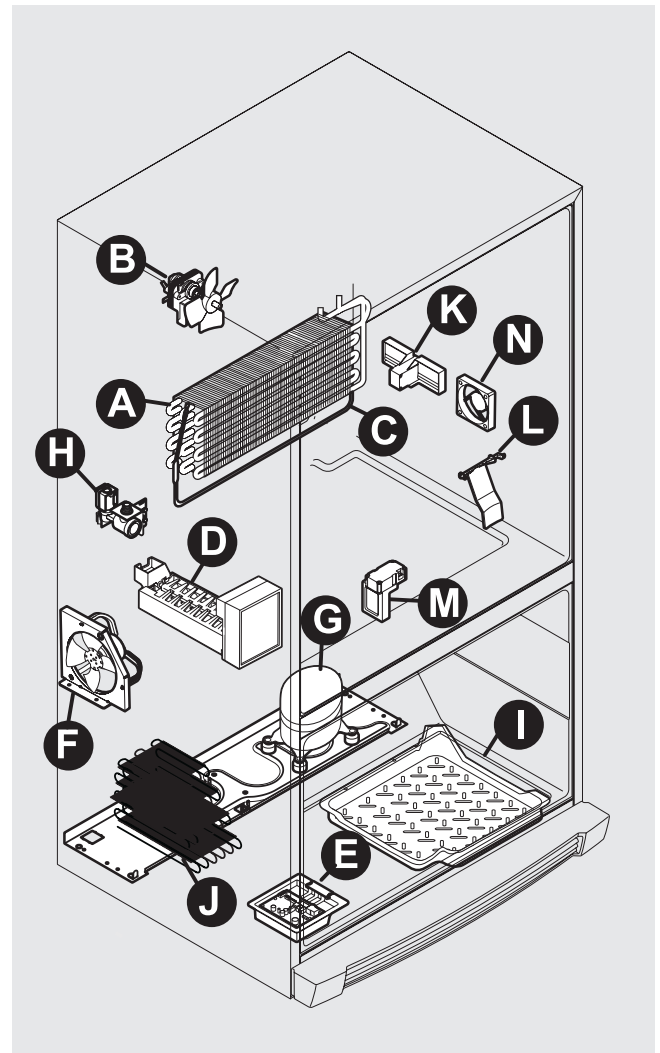


Figura 47

## PARA CAMBIAR LOS FILTROS DE AGUA Y AIRE

Su refrigerador viene equipado con sistemas filtrantes de agua y aire. El sistema de filtrado de agua filtra toda el agua utilizada para fabricar hielo. El filtro de aire elimina los olores e impurezas del refrigerador.

### NOTA

El panel de control incluye controles que supervisan el estado de los filtros de agua y de aire. Consulte la sección "Controles" para obtener más información.

### Información acerca del filtro de agua moderno



El sistema filtrante NGFC-2000 ha sido probado y certificado por NSF International según las Normas NSF/ANSI 42 y 53 para la reducción de lo expuesto en la hoja de datos de rendimiento.

No utilice este sistema con agua que no sea microbiológicamente segura o de calidad desconocida sin el tratamiento desinfectante adecuado antes o después de pasar por el sistema filtrante. Los sistemas certificados para la reducción de quistes pueden ser usados con agua desinfectada con quistes filtrables.

- Capacidad nominal: 240 galones
- Flujo de servicio nominal: 1,9 litros por minuto
- Presión máxima nominal: 100 psi
- Presión mínima recomendada para el funcionamiento: 30 psi
- Temp. de funcionamiento: Min. 33°F (1°C), Máx. 100°F (38°C)

### Filtro de agua

El filtro de agua se encuentra en la parte inferior izquierda del interior del refrigerador.

### Para reemplazar el filtro de agua

Por lo general, usted debe cambiar el filtro de agua cada seis meses para asegurar la mejor calidad de agua posible. La luz de estado del filtro de agua en el panel táctil le indica que debe reemplazar el filtro de agua después de que el período de seis meses ha transcurrido. La luz de estado del filtro de agua de este modelo no está certificado por la NSF y no se le han realizado pruebas de rendimiento.

Si su refrigerador no ha sido usado durante algún tiempo (por ejemplo, durante una mudanza), cambie el filtro antes de reinstalar el refrigerador.

No es necesario cerrar el suministro del agua para cambiar el filtro. Está preparado para limpiar cualquier pequeño derrame de agua que se produzca durante el reemplazo del filtro.

1. Oprima el botón de liberación del filtro que se encuentra por encima del cartucho para desconectarlo.

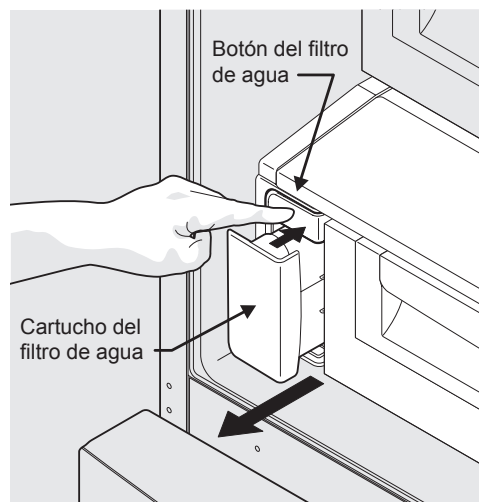


Figura 48 Oprima el botón del filtro de agua

2. Deslice el cartucho filtrante de agua viejo en dirección recta hacia afuera y deséchelo.
3. Desempaque el cartucho filtrante nuevo y retire las dos tapas protectoras que cubren los agujeros de admisión y escape del filtro. Deslice cuidadosamente el filtro en su alojamiento hasta que entre en contacto con el conector de gancho que se encuentra en la parte trasera del alojamiento.

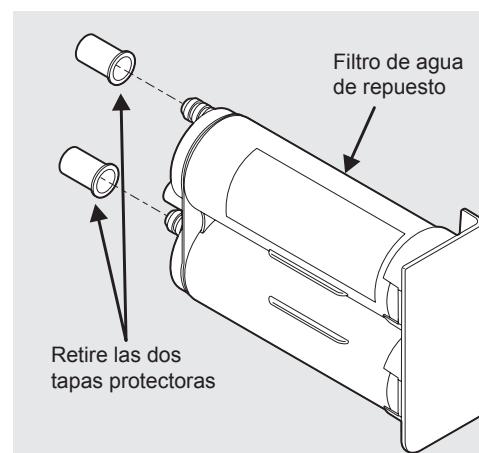


Figura 49

## PARA CAMBIAR LOS FILTROS DE AGUA Y AIRE

- Oprima el cartucho firmemente hasta que encaje en su lugar (debe escuchar dos chasquidos). Cuando esté completamente acoplado, la parte delantera del cartucho filtrante debe quedar al ras con el botón de liberación del filtro.
- Oprima y mantenga oprimido durante tres segundos el botón "Air Filter Reset" (reposición del filtro de aire), situado en el panel de control. Cuando la pantalla cambie de "Replace" (reemplazar) a "Good" (correcto) el filtro ha sido repuesto correctamente.
- "Air Filter Reset" (reposición del filtro) se apagará luego de unos pocos segundos.



Figura 50 Vuelva a instalar el filtro de agua

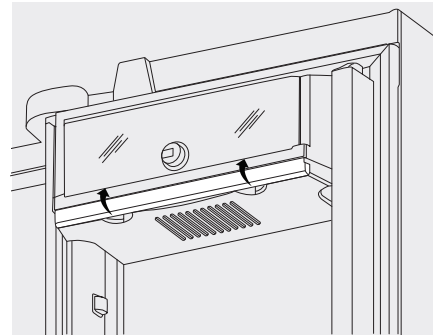


Figura 51

- Oprima y mantenga oprimida durante tres segundos la tecla Filter Status (estado del filtro), situada en el panel. Cuando la pantalla cambie de "Replace" (reemplazar) a "Good" (correcto) el filtro ha sido repuesto correctamente.
- Después de reemplazar el filtro de agua, y para que el fabricante de hielo funcione correctamente, es necesario liberar el aire atrapado en la tubería del filtro de agua. Una vez que el fabricante de hielo comience a fabricar hielo, permita que el depósito para hielo se llene y deseche los primeros DOS depósitos de hielo COMPLETOS. El fabricante de hielo tardará por lo menos dos días para llenar el depósito completamente en modo normal o 1 día y medio en modo rápido.

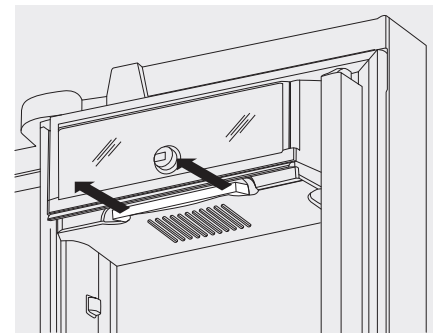


Figura 52

### Filtro de aire

El filtro de aire está ubicado debajo del compartimiento multiuso.

#### Para reemplazar el filtro de aire

En términos generales, el filtro de aire debe ser reemplazado cada seis meses (la luz de estado del filtro en el panel Teclado le avisa que debe reemplazar el filtro después de seis meses) para asegurar el filtrado óptimo de los olores del refrigerador.

- Abra la compuerta del filtro de aire.
- Retire el filtro antiguo y deséchelo.
- Desempaque el filtro nuevo y deslícelo en el interior del compartimiento.
- Para cerrar la compuerta del filtro de aire, presione la parte superior e inferior para enganchar la compuerta.

### Pedidos de filtros de repuesto

Puede pedir filtros nuevos llamado al 1-800-223-3900, o a través del distribuidor donde adquirió su refrigerador. Puede considerar pedir filtros adicionales cuando instale por primera vez su refrigerador.



## CUIDADO Y LIMPIEZA

### Mantenimiento protector del electrodoméstico

El refrigerador debe mantenerse limpio para que conserve su aspecto y se evite la acumulación de olores. Limpie inmediatamente cualquier derrame y limpie el congelador y el refrigerador por lo menos dos veces al año.

### NOTA

En los componentes plásticos, puertas interiores o revestimientos del armazón del electrodoméstico no use limpiadores abrasivos como rociadores limpiaventanas, limpiadores para restregado, líquidos inflamables, ceras limpiadoras, detergentes concentrados, blanqueadores o limpiadores que contengan productos derivados del petróleo. No use toallas de papel, esponjas de restregar o cualquier otro material abrasivo de limpieza.

- Nunca use esponjas de restregar metálicas, escobillas, limpiadores abrasivos o soluciones alcalinas fuertes en ninguna de las superficies.
- Nunca limpie las superficies de acero inoxidable con CLORO o limpiadores que contengan blanqueadores.
- No lave ninguna pieza desmontable en el lavavajillas.
- Siempre desenchufe el cable eléctrico del tomacorriente antes de la limpieza.

### NOTA

Si ajusta los controles de temperatura para desactivar la refrigeración, el suministro eléctrico a las luces y otras piezas eléctricas permanecerá activado hasta que desenchufe el cordón eléctrico de la pared.

- Retire a mano las etiquetas adhesivas. No use hojas de afeitar ni ningún otro instrumento afilado que pueda rayar la superficie del electrodoméstico.
- No retire la placa de serie. Si retira la placa de serie, su garantía será anulada.
- Antes de mover el refrigerador, levante los soportes antivuelco para que las ruedas funcionen correctamente. Esto evitará que se dañe el piso.



### PRECAUCION

- Tire del refrigerador en dirección recta hacia afuera para moverlo. Si lo mueve de lado a lado puede dañar el revestimiento del piso. Tenga cuidado de no desplazar el refrigerador más allá de las conexiones de plomería.
- Los objetos húmedos se pegan en las superficies frías de metal. No toque la superficie refrigerada con las manos mojas o húmedas.

### NOTA

Si usted almacena o mueve su refrigerador en temperaturas de congelación, asegúrese de desaguar completamente el sistema de suministro de agua. De lo contrario, pueden producirse escapes de agua cuando el refrigerador sea puesto de nuevo en funcionamiento. Póngase en contacto con un representante del servicio técnico para realizar esta operación.

Consulte la guía en la página siguiente para obtener detalles sobre el cuidado y la limpieza de áreas específicas del electrodoméstico.

## CUIDADO Y LIMPIEZA

Sugerencias de cuidado y limpieza		
Pieza	Agentes de limpieza	Sugerencias y precauciones
Interior y revestimiento de las puertas	<ul style="list-style-type: none"> <li>● Agua y jabón</li> <li>● Bicarbonato de sodio y agua</li> </ul>	<ul style="list-style-type: none"> <li>● Use 2 cucharadas de bicarbonato de sodio en 1 litro de agua tibia.</li> <li>● Asegúrese de escurrir el excedente de agua de la esponja o paño antes de limpiar los controles, la bombilla o cualquier otra pieza eléctrica.</li> </ul>
Juntas de la puerta	<ul style="list-style-type: none"> <li>● Agua y jabón</li> </ul>	<ul style="list-style-type: none"> <li>● Limpie las juntas con un paño limpio y suave.</li> </ul>
Cajones y compartimientos	<ul style="list-style-type: none"> <li>● Agua y jabón</li> </ul>	<ul style="list-style-type: none"> <li>● Use un paño suave para limpiar los rodillos y rieles de los cajones.</li> <li>● No lave ningún componente extraíble (compartimientos, cajones, etc.) en el lavavajillas.</li> </ul>
Bandejas de vidrio	<ul style="list-style-type: none"> <li>● Agua y jabón</li> <li>● Limpiavidrios</li> <li>● Rociadores de líquidos suaves</li> </ul>	<ul style="list-style-type: none"> <li>● Espere a que el vidrio se entibie a temperatura ambiente antes de sumergirlo en agua tibia.</li> </ul>
Rejilla inferior	<ul style="list-style-type: none"> <li>● Agua y jabón</li> <li>● Rociadores de líquidos suaves</li> <li>● Aspiradora</li> </ul>	<ul style="list-style-type: none"> <li>● Retire la rejilla inferior (vea las instrucciones de instalación).</li> <li>● aspire ambos lados y límpielos con una esponja o un paño con jabón. Enjuague y seque.</li> </ul>
Exterior y manijas	<ul style="list-style-type: none"> <li>● Agua y jabón</li> <li>● Limpiavidrios no abrasivo</li> </ul>	<ul style="list-style-type: none"> <li>● Para limpiar las manijas, no use limpiadores comerciales domésticos que contengan amoníaco, blanqueadores ni alcohol.</li> <li>● Use un paño suave para limpiar las manijas lisas.</li> <li>● No limpie las puertas lisas con un paño seco.</li> </ul>
Exterior y manijas (modelos de acero inoxidable solamente)	<ul style="list-style-type: none"> <li>● Agua y jabón</li> <li>● Limpiadores de acero inoxidable</li> </ul>	<ul style="list-style-type: none"> <li>● Nunca limpie las superficies de acero inoxidable con CLORO o limpiadores que contengan blanqueadores.</li> <li>● Limpie la parte delantera y las manijas de acero inoxidable con un paño y agua jabonosa no abrasivos. Enjuague con agua limpia y un paño suave.</li> <li>● Use un limpiador de acero inoxidable no abrasivo. Estos limpiadores pueden ser comprados en la mayoría de los grandes almacenes o de las tiendas de bricolaje. Siempre siga las instrucciones del fabricante. No use limpiadores domésticos que contengan amoníaco o blanqueadores.</li> <li>● NOTA: Siempre limpie, y seque a favor del grano para evitar rayar la superficie.</li> <li>● Lave el resto del aparato con agua tibia y detergente líquido suave. Enjuague bien y seque con un paño suave y limpio.</li> </ul>

Sugerencias para vacaciones y mudanzas	
Ocasión	Sugerencias
Vacaciones cortas	<ul style="list-style-type: none"> <li>● Deje el refrigerador en funcionamiento si sale de vacaciones durante tres semanas o menos.</li> <li>● Consuma todos los alimentos perecederos del refrigerador.</li> <li>● Apague el fabricante automático de hielo y vacíe el depósito de hielo, incluso si se va sólo por unos pocos días.</li> </ul>
Vacaciones largas	<ul style="list-style-type: none"> <li>● Saque todos los alimentos y el hielo del refrigerador si se va de vacaciones por un mes o más.</li> <li>● Apague el sistema de refrigeración (consulte la ubicación del botón "On/Off" (encendido/apagado) en la sección "Controles") y desconecte el suministro eléctrico.</li> <li>● Cierre la válvula de suministro de agua.</li> <li>● Limpie bien el interior del refrigerador.</li> <li>● Deje las puertas abiertas para evitar la acumulación de olores y de moho. De ser necesario, trabe las puertas para que queden abiertas.</li> </ul>
Mudanza	<ul style="list-style-type: none"> <li>● Retire todos los alimentos y el hielo del interior.</li> <li>● Si va a usar una carretilla, levante el refrigerador por un costado.</li> <li>● Ajuste las ruedas hasta arriba para protegerlas durante la mudanza.</li> <li>● Acolche el exterior del refrigerador para evitar rayar la superficie.</li> </ul>

## CUIDADO Y LIMPIEZA

### Para reemplazar la luz LED

Tanto el congelador como el refrigerador cuentan con luces LED. Siempre utilice piezas de repuesto.

#### Para reemplazar las luces LED:

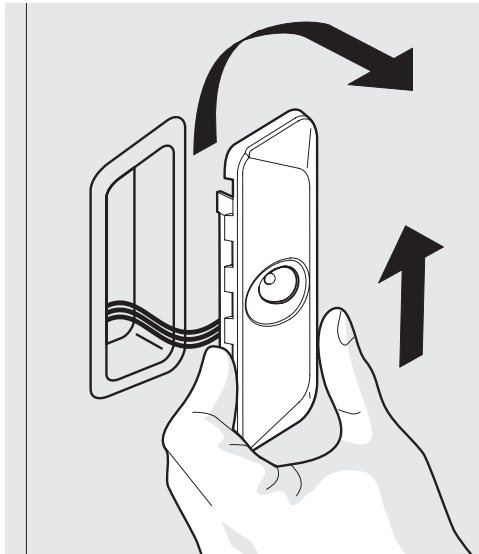
- 1 Desenchufe el cable eléctrico del refrigerador.
- 2 Retire la cubierta de la luz presionando hacia arriba y hacia afuera.
- 3 Sostenga la cubierta de la luz LED con una mano y tire del conector con la otra mientras oprime el gancho del conector.
- 4 Coloque la luz LED nueva y engánchela en su lugar asegurándose de que la luz esté orientada hacia la unidad (hacia el interior del refrigerador y congelador) o, en el caso de la parte inferior de las puertas del refrigerador, que quede orientada hacia afuera.

### NOTA

Las luces LED están conectadas en serie, por lo que si una de ellas se daña o se desconecta, varias luces dejarán de funcionar.

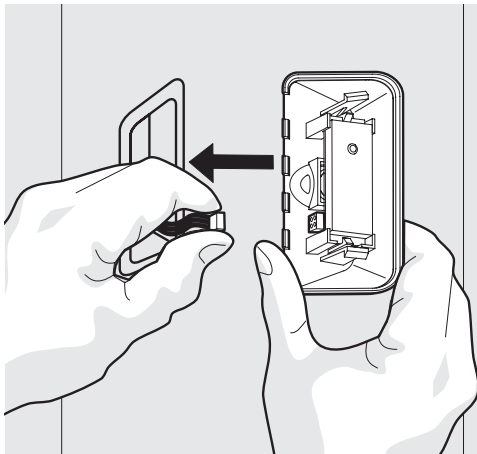
#### Para pedir luces LED de repuesto

Puede pedir luces LED nuevas llamado al 800-223-3900, o a través del distribuidor donde adquirió su refrigerador.



Desinstalación de la luz LED

Figura 53



Desinstalación del enchufe preformado de la luz LED

Figura 54

## SOLUCIONES DE PROBLEMAS COMUNES

### Antes de solicitar servicio técnico...

Si usted experimenta un problema con su refrigerador u observa algún comportamiento o estado que usted no comprenda, generalmente puede evitar llamar a su representante de servicio si consulta esta sección para encontrar una solución. La tabla siguiente incluye información sobre problemas, sus posibles causas y las soluciones comunes.

Máquina automática de hacer hielo		
Problema	Causa	Solución
El fabricante automático de hielo no produce hielo.	<ul style="list-style-type: none"> <li>● El productor de hielo está apagado.</li> <li>● El refrigerador no está conectado al suministro de agua o la válvula de agua no está abierta.</li> <li>● La tubería de suministro de agua está doblada.</li> <li>● El filtro de agua no está correctamente colocado.</li> <li>● Es posible que el filtro de agua esté tapado con partículas extrañas.</li> <li>● La válvula de asiento autorroscante de la tubería de agua fría está tapada o bloqueada por partículas extrañas.</li> </ul>	<ul style="list-style-type: none"> <li>● Encienda el productor de hielo. En el caso del productor de hielo de alimentos frescos, mantenga presionado el botón "Hielo apagado" durante 4 segundos hasta que el indicador se apague. Para el productor de hielo del congelador, baje el brazo de señal metálico.</li> <li>● Conecte la unidad al suministro de agua doméstico y asegúrese de que la válvula de suministro esté abierta.</li> <li>● Asegúrese de que la tubería de suministro no se doble al empujar el refrigerador para colocarlo en su lugar contra la pared.</li> <li>● Extraiga y reinstale el filtro de agua. Asegúrese de empujar el filtro con firmeza, de manera que pueda escuchar cuando se trabe completamente en su lugar.</li> <li>● Si no sale agua del dispensador o si sale lentamente, o si el filtro tiene seis meses o más, se debe reemplazar.</li> <li>● Cierre la válvula de la tubería de suministro doméstico de agua. Retire la válvula. La válvula no debe ser una válvula de asiento autorroscante autopercutor. Limpie la válvula. Reemplace la válvula en caso de que sea necesario.</li> </ul>
El fabricante automático de hielo no produce suficiente hielo.	<ul style="list-style-type: none"> <li>● El productor de hielo produce menos hielo de lo esperado.</li> <li>● Es posible que el filtro de agua esté tapado con partículas extrañas.</li> <li>● La tubería de suministro de agua está doblada.</li> <li>● La válvula de asiento autorroscante de la tubería de agua fría está tapada o bloqueada por partículas extrañas.</li> </ul>	<ul style="list-style-type: none"> <li>● Los productores de hielo de alimentos frescos y del congelador producirán cada uno aproximadamente 2,5 libras de hielo cada 24 horas, según las condiciones de uso.</li> <li>● Si el agua del dispensador sale con mayor lentitud que lo normal, o si el filtro tiene seis meses o más, se debe reemplazar.</li> <li>● Asegúrese de que la tubería de suministro no se doble al empujar el refrigerador para colocarlo en su lugar contra la pared.</li> <li>● Cierre la válvula de la tubería de suministro doméstico de agua. Retire la válvula. La válvula no debe ser una válvula de asiento autorroscante autopercutor. Limpie la válvula. Reemplace la válvula en caso de que sea necesario.</li> </ul>
El productor de hielo no deja de producir hielo.	<ul style="list-style-type: none"> <li>● El brazo de señal metálico del productor de hielo está sujeta por algún envase del congelador que se ha caído contra el productor de hielo.</li> </ul>	<ul style="list-style-type: none"> <li>● Desplace el artículo y libere el brazo de señal metálico. Extraiga todos los cubos de hielo que se puedan haber congelado juntos sobre el brazo de señal metálico.</li> </ul>
Los cubos de hielo se congelan en forma de bloque.	<ul style="list-style-type: none"> <li>● Los cubos de hielo no se utilizan con demasiada frecuencia.</li> <li>● Los cubos de hielo están huecos (cubos de hielo congelados por fuera con agua líquida adentro). Los cubos de hielo se rompen en el compartimiento y derraman el agua sobre el resto del hielo, de manera que se congelan juntos.</li> </ul>	<ul style="list-style-type: none"> <li>● Quite el recipiente de hielo y deseche el hielo. El productor de hielo produce suministro fresco. El hielo se debe utilizar al menos dos veces por semana para mantener los cubos separados.</li> <li>● Esto generalmente ocurre cuando el productor de hielo no obtiene suficiente agua. Esto generalmente se produce cuando el filtro de agua está tapado. Reemplace el filtro de agua.</li> </ul>

La luz no se enciende		
Problema	Causa	Solución
La luz no se enciende.	<ul style="list-style-type: none"> <li>● La bombilla está quemada o la luz LED está dañada.</li> <li>● No llega corriente eléctrica al refrigerador.</li> <li>● El sistema de control ha desactivado las luces porque una o ambas puertas se dejaron abiertas demasiado tiempo.</li> </ul>	<ul style="list-style-type: none"> <li>● Vea el apartado "Reemplazo de las bombillas o de las luces LED" en la sección "Cuidado y limpieza".</li> <li>● Vea el apartado "Funcionamiento del refrigerador" en la sección "Problema".</li> <li>● Cierre y vuelva a abrir la(s) puerta(s) para reactivar las luces.</li> </ul>

Olores en el refrigerador		
Problema	Causa	Solución
El interior está sucio. Olores	<ul style="list-style-type: none"> <li>● Es necesario limpiar el interior.</li> <li>● Hay alimentos con olores fuertes en el refrigerador.</li> </ul>	<ul style="list-style-type: none"> <li>● Consulte las sugerencias para el cuidado y la limpieza.</li> <li>● Cubra bien los alimentos. Puede que sea necesario cambiar el filtro con mayor frecuencia si se almacenan en el refrigerador alimentos con olores fuertes con frecuencia.</li> </ul>

## SOLUCIONES DE PROBLEMAS COMUNES

<b>Apertura/cierre de puertas/cajones</b>		
<b>Problema</b>	<b>Posible causa</b>	<b>Solución común</b>
La(s) puerta(s) no cierra(n).	<ul style="list-style-type: none"> <li>● El refrigerador está desnivelado. Se balancea en el piso cuando se mueve levemente.</li> <li>● Se cayó un objeto de las cestas y está evitando que cierre la puerta.</li> </ul>	<ul style="list-style-type: none"> <li>● Asegúrese de que el piso esté nivelado, sea sólido y que pueda soportar adecuadamente el peso del refrigerador. Llame a un carpintero para corregir el hundimiento o desnivel del piso.</li> <li>● Verifique que no hayan alimentos o hielo bloqueando el cajón.</li> </ul>
Es difícil mover los cajones.	<ul style="list-style-type: none"> <li>● Los alimentos obstruyen la bandeja que se encuentra encima del cajón.</li> <li>● El cajón está sobrecargado</li> </ul>	<ul style="list-style-type: none"> <li>● Almacene menos cantidad de alimentos en el cajón.</li> <li>● Retire alimentos o reorganícelos.</li> </ul>

<b>Funcionamiento del refrigerador</b>		
<b>Problema</b>	<b>Posible causa</b>	<b>Solución común</b>
El compresor no funciona.	<ul style="list-style-type: none"> <li>● El sistema de refrigeración está apagado.</li> <li>● El refrigerador está en el ciclo de descongelación.</li> <li>● El cordón eléctrico está desenchufado.</li> <li>● Se ha quemado un fusible de la casa o se ha disparado el disyuntor.</li> <li>● Interrupción de la energía eléctrica.</li> <li>● El sistema de control electrónico mantiene el refrigerador a una temperatura constante.</li> </ul>	<ul style="list-style-type: none"> <li>● Encienda el sistema de refrigeración. Consulte la ubicación del botón "On/Off" (encendido/apagado) en la sección de controles.</li> <li>● Esto es normal en un refrigerador con descongelación automática. El ciclo de descongelación se realiza periódicamente y dura aproximadamente 30 minutos.</li> <li>● Asegúrese de que el enchufe esté firmemente conectado al tomacorriente.</li> <li>● Verifique o reemplace el fusible con un fusible de acción retardada de 15 amp. Restablezca el disyuntor.</li> <li>● Verifique las luces del hogar. Llame a su compañía eléctrica.</li> <li>● Esto es normal. El refrigerador se enciende y se apaga para mantener la temperatura constante.</li> </ul>
El refrigerador funciona demasiado o por demasiado tiempo.	<ul style="list-style-type: none"> <li>● La temperatura de la habitación o del ambiente está caliente.</li> <li>● El refrigerador fue desconectado recientemente por un período de tiempo.</li> <li>● El fabricante automático de hielo está en funcionamiento.</li> <li>● Las puertas se abren con demasiada frecuencia o durante demasiado tiempo.</li> <li>● La puerta del refrigerador o congelador puede estar levemente abierta.</li> <li>● El control del congelador está en un ajuste demasiado frío (el control está ubicado en el costado de la puerta izquierda).</li> <li>● La junta del refrigerador o congelador está sucia, gastada, agrietada o mal ajustada.</li> <li>● Este modelo cuenta con un compresor de velocidad variable de alta eficiencia.</li> </ul>	<ul style="list-style-type: none"> <li>● Es normal que el refrigerador funcione más bajo estas condiciones.</li> <li>● Se tarda entre 8 y 12 horas para que el refrigerador se enfríe completamente.</li> <li>● El funcionamiento del fabricante de hielo hace que el refrigerador funcione un poco más.</li> <li>● El aire caliente que entra en el refrigerador lo hace funcionar más. Abra la puerta con menor frecuencia.</li> <li>● Asegúrese de que el refrigerador esté nivelado. No permita que los alimentos y envases bloqueen la puerta. Consulte el apartado "Apertura/cierre de puertas/cajones" en la sección "Problema".</li> <li>● Gire el control del congelador a un ajuste más tibio hasta que la temperatura sea satisfactoria. Espere 24 horas hasta que la temperatura se establezca.</li> <li>● Limpie o cambie la junta. Los escapes por el sello de la puerta harán que el refrigerador funcione más para mantener la temperatura deseada.</li> <li>● Es normal que el compresor funcione durante largos períodos de tiempo en vez de encenderse y apagarse con frecuencia.</li> </ul>
Los indicadores digitales de temperatura están destellando.	<ul style="list-style-type: none"> <li>● El sistema de control electrónico ha detectado un problema de rendimiento.</li> </ul>	<ul style="list-style-type: none"> <li>● Llame a su representante, quien podrá interpretar cualquier mensaje o código numérico que destelle en los indicadores.</li> </ul>

<b>Las temperaturas son demasiado frías</b>		
<b>Problema</b>	<b>Posible causa</b>	<b>Solución común</b>
Temperatura del congelador demasiado fría. La temperatura del refrigerador es satisfactoria.	<ul style="list-style-type: none"> <li>● La función de congelado rápido está activada.</li> <li>● El control del congelador está en un ajuste demasiado frío.</li> <li>● El fabricante de hielo está encendido.</li> <li>● La función de hielo rápido está activada.</li> </ul>	<ul style="list-style-type: none"> <li>● Desactive la función de congelación rápida.</li> <li>● Gire el control del congelador a un ajuste más tibio. Espere 24 horas hasta que la temperatura se establezca.</li> <li>● Es normal que el congelador se enfríe demasiado mientras el fabricante automático de hielo está encendido.</li> <li>● Desactive la función de hielo rápido.</li> </ul>
La temperatura del refrigerador es demasiado fría. La temperatura del congelador es satisfactoria.	<ul style="list-style-type: none"> <li>● El control del refrigerador está en un ajuste demasiado frío.</li> </ul>	<ul style="list-style-type: none"> <li>● Gire el control del refrigerador a un ajuste más tibio. Espere 24 horas hasta que la temperatura se establezca.</li> </ul>
Los alimentos almacenados en los cajones se congelan.	<ul style="list-style-type: none"> <li>● El control del refrigerador está en un ajuste demasiado frío.</li> </ul>	<ul style="list-style-type: none"> <li>● Vea la solución anterior.</li> </ul>
Los alimentos almacenados en el cajón Cool Zone (zona fría) se congelan (modelos selectos).	<ul style="list-style-type: none"> <li>● El control de la temperatura del cajón Cool Zone (zona fría) está en un ajuste demasiado frío.</li> </ul>	<ul style="list-style-type: none"> <li>● Cambie el control de temperatura del cajón Cool Zone (zona fría) a un ajuste más alto. La carne debe ser almacenada a temperaturas justo por debajo del punto de congelación, para prolongar el período de frescura. Es normal que se formen cristales de hielo por el contenido de humedad de la carne.</li> </ul>

## SOLUCIONES DE PROBLEMAS COMUNES

<b>Las temperaturas son demasiado tibias</b>		
<b>Problema</b>	<b>Posible causa</b>	<b>Solución común</b>
La temperatura interna del congelador o refrigerador es demasiado tibia.	<ul style="list-style-type: none"> <li>●Las puertas se abren con demasiada frecuencia o durante demasiado tiempo.</li> <li>●La puerta está levemente abierta.</li> </ul>	<ul style="list-style-type: none"> <li>●Cada vez que se abre la puerta, entra aire caliente en el refrigerador. Abra la puerta con menor frecuencia.</li> <li>●Consulte el apartado "Apertura/cierre de puertas/cajones" en la sección "Problema".</li> </ul>
Temperatura interna del congelador demasiado tibia. La temperatura del refrigerador es satisfactoria.	<ul style="list-style-type: none"> <li>●El control del congelador está en un ajuste demasiado tibio.</li> </ul>	<ul style="list-style-type: none"> <li>●Cambie el control del congelador a un ajuste más frío. Espere 24 horas hasta que la temperatura se estabilice.</li> </ul>
La temperatura interna del refrigerador es demasiado tibia. Temperatura satisfactoria del congelador.	<ul style="list-style-type: none"> <li>●El control del refrigerador está en un ajuste demasiado tibio.</li> </ul>	<ul style="list-style-type: none"> <li>●Cambie el control del refrigerador a un ajuste más frío. Espere 24 horas hasta que la temperatura se estabilice.</li> </ul>
La temperatura del cajón Cool Zone (zona fría) o del cajón Select Temp es demasiado alta.	<ul style="list-style-type: none"> <li>●El control de la temperatura está en un ajuste demasiado tibio.</li> </ul>	<ul style="list-style-type: none"> <li>●Gire el control de temperatura a un ajuste más frío.</li> </ul>

<b>Agua/humedad/escarcha dentro del refrigerador</b>		
<b>Problema</b>	<b>Posible causa</b>	<b>Solución común</b>
Se acumula humedad dentro de las paredes interiores del refrigerador.	<ul style="list-style-type: none"> <li>●El ambiente es húmedo y caluroso.</li> <li>●La puerta está levemente abierta.</li> <li>●La puerta se abre con demasiada frecuencia o por demasiado tiempo.</li> <li>●Hay envases abiertos en el interior.</li> </ul>	<ul style="list-style-type: none"> <li>●La velocidad de acumulación de escarcha y de condensación interna aumenta.</li> <li>●Consulte el apartado "Apertura/cierre de puertas/cajones" en la sección "Problema".</li> <li>●Abra la puerta con menor frecuencia para permitir que la temperatura interna se estabilice.</li> <li>●Mantenga los envases tapados.</li> </ul>
Se acumula agua en la parte inferior de la tapa del cajón.	<ul style="list-style-type: none"> <li>●Las verduras contienen y emiten humedad.</li> </ul>	<ul style="list-style-type: none"> <li>●La presencia de humedad en la parte inferior de la cubierta no es inusual.</li> <li>●Cambie el control de humedad (modelos selectos) a un ajuste menor.</li> </ul>
Se acumula humedad en el fondo del cajón.	<ul style="list-style-type: none"> <li>●El agua de frutas y verduras lavadas se escurre dentro del cajón.</li> <li>●Se guardan las frutas y verduras más allá de su madurez</li> </ul>	<ul style="list-style-type: none"> <li>●Escorra y deje secar los alimentos antes de introducirlos en el cajón. La acumulación de agua en el fondo del cajón es normal.</li> <li>●Retire con frecuencia frutas y verduras viejas, especialmente si comienzan a pudrirse.</li> </ul>
Se acumula humedad en el exterior del refrigerador o entre las puertas.	<ul style="list-style-type: none"> <li>●El ambiente es húmedo.</li> <li>●La puerta está levemente abierta, lo que hace que el aire frío del interior del refrigerador entre en contacto con el aire caliente del exterior.</li> </ul>	<ul style="list-style-type: none"> <li>●Esto es normal en ambientes húmedos. Cuando la humedad del ambiente se reduzca, la acumulación de humedad en el refrigerador desaparecerá.</li> <li>●Consulte el apartado "Apertura/cierre de puertas/cajones" en la sección "Problema".</li> </ul>

# GARANTÍA

## Producto completo - Garantía limitada por 1 año

AGA Marvel garantiza el reemplazo o reparación de todas las piezas de este aparato que resulten con defectos de materiales o de fabricación, con la excepción de las superficies pintadas, con acabado de esmalte de porcelana o electrodepositadas (enchapadas), por 1 año desde la fecha de la compra original. Esas piezas se repararán o reemplazarán, a opción de AGA Marvel, sin cargo, con sujeción a los términos y condiciones que se establecen a continuación.

## Garantía limitada - Componentes de refrigeración principales

**Del segundo al quinto año:** después del primer año de la fecha de la compra original y hasta el quinto año, el fabricante reparará o reemplazará, a su opción, sin cargo en lo relativo a piezas y mano de obra únicamente, toda pieza del sistema de refrigeración sellado (compuesto por el compresor, evaporador, condensador, secador y tubos de conexión) y el revestimiento interior del gabinete (excluido el revestimiento interior de la puerta) que falle en condiciones de uso doméstico normal. Todos los demás costos, como los de millaje, transporte, cargo por viaje y cargo por diagnóstico, si fueran necesarios, serán responsabilidad del propietario.

## Garantía limitada - Filtro de agua

Durante **30 días** a partir de la fecha de la compra minorista original, toda pieza del cartucho filtrante de agua que falle debido a algún defecto de fabricación o de materiales se reemplazará sin cargo.

## Qué es lo que no cubre esta Garantía

1. Enseñanza o instrucciones al cliente sobre cómo utilizar el refrigerador/congelador.
2. Toda pérdida de alimentos debida a la falla del producto. (El garante no será responsable de ningún daño incidental ni consiguiente, incluida la pérdida de alimentos).
3. Todo gasto realizado para facilitar el acceso al aparato a fin de prestar servicio al mismo.
4. Daños de transporte, entrega o subsiguientes.
5. Utilización comercial, o en alquiler, o cualquier utilización diferente de la doméstica normal.
6. Instalación incorrecta, mal uso, maltrato, accidente o alteración, uso con un conexionado no conforme con los códigos eléctricos, bajo voltaje, falta de provisión del mantenimiento necesario, u otro uso irrazonable.,
7. Piezas o servicio no suministrados o designados por la fábrica.
8. Accidente, incendio, inundación, casos fortuitos.
9. Alteración, o extracción o desfiguración de la placa de identificación.

10. No se puede verificar la factura de venta original, la fecha de entrega o el número de serie.
11. El producto se desplazó desde el lugar de la instalación original y se reinstaló sin examinar los procedimientos de instalación con el distribuidor o el fabricante.
12. Focos de luz
13. Si el producto se instala fuera del área de servicio normal, todo costo debido a gastos de transporte [peajes, cargos de viaje en transbordador, gastos de millaje, etc.] asociado con la reparación del producto o el reemplazo de una pieza defectuosa estará a cargo del cliente [usuario].

LAS GARANTÍAS ESTABLECIDAS AQUÍ SON LAS ÚNICAS GARANTÍAS EXTENDIDAS POR AGA Marvel. TODA GARANTÍA IMPLÍCITA, INCLUIDA LA GARANTÍA IMPLÍCITA DE COMERCIABILIDAD, SE LIMITA A LA DURACIÓN DE ESTAS GARANTÍAS EXPRESAS. EN NINGÚN CASO AGA Marvel SERÁ RESPONSABLE DE NINGÚN GASTO O DAÑO CONSIGUIENTE O INCIDENTAL QUE RESULTE DEL INCUMPLIMIENTO DE ESTAS O DE CUALESQUIERA OTRAS GARANTÍAS, YA SEAN EXPRESAS O IMPLÍCITAS. Algunos estados no permiten la exclusión o limitación de los daños consiguientes, o la limitación sobre cuánto dura una garantía implícita; por consiguiente, la exclusión o limitación indicada puede no ser aplicable a su caso. **La garantía se aplica al producto únicamente en el país en el que se compró.**

Ninguna persona, firma o corporación está autorizada a ofrecer ninguna otra garantía ni asumir ninguna otra obligación por AGA Marvel. Para obtener el ejercicio de la garantía, informe sobre cualquier defecto a su Distribuidor o Representante de servicio de AGA Marvel.

AGA Marvel  
1260 E. VanDeinse St.  
Greenville MI 48838, EE. UU.

Teléfono: 800-223-3900  
Fax: 616-754-9690

LUGAR DE LA COMPRA \_\_\_\_\_

FECHA DE LA COMPRA \_\_\_\_\_

NÚMERO DE SERIE \_\_\_\_\_

NÚMERO DE MODELO \_\_\_\_\_

---

[www.agamarvel.com](http://www.agamarvel.com)