



# REFRIGERATOR USER INSTRUCTIONS

THANK YOU for purchasing this high-quality product. Register your new refrigerator at [www.whirlpool.com](http://www.whirlpool.com). In Canada, register your refrigerator at [www.whirlpool.ca](http://www.whirlpool.ca).

For future reference, please make a note of your product model and serial numbers. These can be located on the inside wall of the refrigerator compartment.

**Model Number** \_\_\_\_\_

**Serial Number** \_\_\_\_\_

Para obtener acceso a “Instrucciones para el usuario del refrigerador” en español, o para obtener información adicional acerca de su producto, visite: [www.whirlpool.com](http://www.whirlpool.com).

Necesitará su número de modelo y de serie, ubicado en el interior del compartimiento del refrigerador.

## TABLE OF CONTENTS / TABLE DES MATIÈRES

<b>REFRIGERATOR SAFETY</b> .....	<b>2</b>	<b>SÉCURITÉ DU RÉFRIGÉRATEUR</b> .....	<b>21</b>
Proper Disposal of Your Old Refrigerator .....	3	Mise au rebut du vieux réfrigérateur .....	23
<b>INSTALLATION INSTRUCTIONS</b> .....	<b>3</b>	<b>INSTRUCTIONS D'INSTALLATION</b> .....	<b>23</b>
Unpack the Refrigerator.....	3	Déballage du réfrigérateur.....	23
Location Requirements .....	4	Exigences d'emplacement.....	24
Electrical Requirements .....	4	Spécifications électriques .....	24
Water Supply Requirements .....	4	Spécifications de l'alimentation en eau .....	24
Connect the Water Supply		Raccordement à la canalisation d'eau	
(on some models).....	5	(sur certains modèles).....	25
Refrigerator Doors.....	6	Portes du réfrigérateur .....	26
Reversibility Kit Instructions.....	12	Instructions pour l'ensemble d'inversion du sens d'ouverture .	32
Adjust the Doors .....	12	Ajustement des portes .....	32
<b>REFRIGERATOR USE</b> .....	<b>13</b>	<b>UTILISATION DU RÉFRIGÉRATEUR</b> .....	<b>33</b>
Using the Controls .....	13	Utilisation des commandes .....	33
<b>REFRIGERATOR FEATURES</b> .....	<b>14</b>	<b>CARACTÉRISTIQUES DU RÉFRIGÉRATEUR</b> .....	<b>34</b>
Refrigerator Shelves.....	14	Tablettes du réfrigérateur .....	34
Deli Drawer .....	14	Bac pour spécialités alimentaires .....	34
Crisper .....	14	Tiroir à légumes.....	34
<b>FREEZER FEATURES</b> .....	<b>15</b>	<b>CARACTÉRISTIQUES DU CONGÉLATEUR</b> .....	<b>35</b>
Freezer Shelf .....	15	Tablette de congélateur.....	35
<b>DOOR FEATURES</b> .....	<b>15</b>	<b>CARACTÉRISTIQUES DE LA PORTE</b> .....	<b>35</b>
Door Rails .....	15	Tringles dans la porte .....	35
Door Bins.....	15	Balconnets de porte.....	36
Utility Compartment.....	16	Compartiment utilitaire.....	36
Ice Maker.....	16	Machine à glaçons .....	36
<b>REFRIGERATOR CARE</b> .....	<b>16</b>	<b>ENTRETIEN DU RÉFRIGÉRATEUR</b> .....	<b>37</b>
Cleaning .....	16	Nettoyage.....	37
Changing the Light Bulb .....	17	Remplacer l'ampoule d'éclairage .....	37
Vacation and Moving Care.....	17	Précautions à prendre pour les vacances ou le déménagement .....	38
<b>TROUBLESHOOTING</b> .....	<b>18</b>	<b>DÉPANNAGE</b> .....	<b>39</b>
Refrigerator Operation .....	18	Fonctionnement du réfrigérateur .....	39
Temperature and Moisture.....	19	Température et humidité .....	40
Ice and Water .....	19	Glaçons et eau .....	40
<b>ACCESSORIES</b> .....	<b>19</b>	<b>ACCESSOIRES</b> .....	<b>41</b>
<b>WARRANTY</b> .....	<b>20</b>	<b>GARANTIE</b> .....	<b>42</b>
<b>BRAND BADGE PLACEMENT TEMPLATE</b> .....	<b>BACK COVER</b>	<b>GABARIT DE POSITIONNEMENT DE L'INSIGNE DE LA MARQUE</b> .....	<b>COUVERTURE ARRIÈRE</b>

# REFRIGERATOR SAFETY

## Your safety and the safety of others are very important.

We have provided many important safety messages in this manual and on your appliance. Always read and obey all safety messages.



This is the safety alert symbol.

This symbol alerts you to potential hazards that can kill or hurt you and others.

All safety messages will follow the safety alert symbol and either the word "DANGER" or "WARNING."

These words mean:

**⚠ DANGER**

You can be killed or seriously injured if you don't immediately follow instructions.

**⚠ WARNING**

You can be killed or seriously injured if you don't follow instructions.

All safety messages will tell you what the potential hazard is, tell you how to reduce the chance of injury, and tell you what can happen if the instructions are not followed.

## IMPORTANT SAFETY INSTRUCTIONS

**WARNING:** To reduce the risk of fire, electric shock or injury to persons when using the refrigerator, follow basic precautions, including the following:

- Plug into a grounded 3-prong outlet.
- Do not remove the ground prong.
- Do not use an adapter.
- Do not use an extension cord.
- Disconnect power before servicing.
- Replace all parts and panels before operating.
- Remove doors from your old refrigerator.
- Connect only to the potable water supply.
- Use non-flammable cleaner.
- Keep flammable materials and vapors, such as gasoline, well away from the refrigerator.
- Use two or more people to move and install the refrigerator.
- Disconnect the power before installing the ice maker (on ice maker kit-ready models only).
- Use a sturdy glass when dispensing ice (on some models).
- Do not hit the refrigerator glass doors (on some models).
- This appliance is not intended for use by persons (including children) with reduced physical, sensory or mental capabilities, or lack of experience and knowledge, unless they have been given supervision or instruction concerning use of the appliance by a person responsible for their safety.
- Children should be supervised to ensure that they do not play with the appliance.
- If the supply cord is damaged, it must be replaced by the manufacturer, its service agent or similarly qualified person in order to avoid a hazard.
- Do not store explosive substances such as aerosol cans with a flammable propellant in this appliance.
- This appliance is intended to be used in household and similar applications such as:
  - Staff kitchen areas in shops, offices and other working environments;
  - Farm houses and by clients in hotels, motels and other residential type environments;
  - Bed and breakfast type environments;
  - Catering and similar non-retail applications.

**PLEASE KEEP THESE INSTRUCTIONS**

## Proper Disposal of Your Old Refrigerator

### **⚠ WARNING**

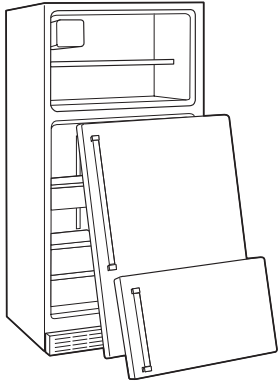
#### **Suffocation Hazard**

**Remove doors from your old refrigerator.  
Failure to do so can result in death or brain damage.**

**IMPORTANT:** Child entrapment and suffocation are not problems of the past. Junked or abandoned refrigerators are still dangerous – even if they will sit for “just a few days.” If you are getting rid of your old refrigerator, please follow these instructions to help prevent accidents.

#### **Before You Throw Away Your Old Refrigerator or Freezer:**

- Take off the doors.
- Leave the shelves in place so that children may not easily climb inside.



#### **Important information to know about disposal of refrigerants:**

Dispose of refrigerator in accordance with Federal and Local regulations. Refrigerant must be evacuated by a licensed, EPA certified refrigerant technician in accordance with established procedures.

# INSTALLATION INSTRUCTIONS

## Unpack the Refrigerator

### **⚠ WARNING**

#### **Excessive Weight Hazard**

**Use two or more people to move and install refrigerator.**

**Failure to do so can result in back or other injury.**

## Remove the Packaging

**IMPORTANT:** Do not remove the white foam air return insert from behind the control panel on the ceiling of the refrigerator. If the insert is removed, ice may migrate down from the freezer and cause icicles to form.

- Remove tape and glue residue from surfaces before turning on the refrigerator. Rub a small amount of liquid dish soap over the adhesive with your fingers. Wipe with warm water and dry with a soft cloth.
- Do not use sharp instruments, rubbing alcohol, flammable fluids, or abrasive cleaners to remove tape or glue. These products can damage the surface of your refrigerator. For more information, see “Refrigerator Safety.”

#### **When Moving Your Refrigerator:**

Your refrigerator is heavy. When moving the refrigerator for cleaning or service, be sure to cover the floor with cardboard or hardboard to avoid floor damage. Always pull the refrigerator straight out when moving it. Do not wiggle or “walk” the refrigerator when trying to move it, as floor damage could occur.

## Clean Before Using

After you remove all of the packaging materials, clean the inside of your refrigerator before using it. See the cleaning instructions in “Refrigerator Care.”

#### **Important information to know about glass shelves and covers:**

Do not clean glass shelves or covers with warm water when they are cold. Shelves and covers may break if exposed to sudden temperature changes or impact, such as bumping. Tempered glass is designed to shatter into many small, pebble-size pieces. This is normal. Glass shelves and covers are heavy. Use both hands when removing them to avoid dropping.

## Location Requirements

### **⚠ WARNING**



#### Explosion Hazard

Keep flammable materials and vapors, such as gasoline, away from refrigerator.

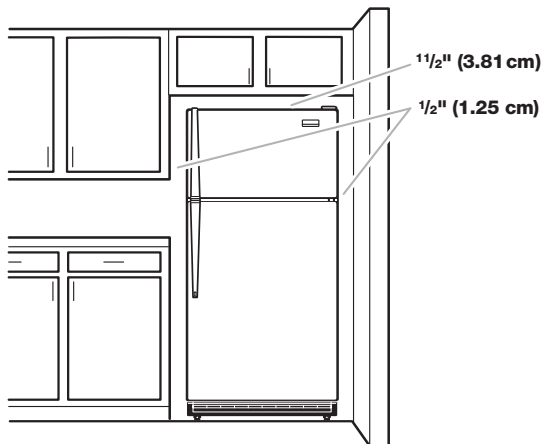
Failure to do so can result in death, explosion, or fire.

**IMPORTANT:** This refrigerator is designed for indoor household use only.

To ensure proper ventilation for your refrigerator, it is recommended to allow a 1/2" (1.25 cm) space on each side. Allow 1 1/2" (3.81 cm) of space between overhead cabinets and refrigerator top. Allow at least 1" (2.54 cm) between back of cabinet and the wall (consider the condenser as back in case is present). If your refrigerator has an ice maker, allow extra space at the back for the water line connections.

If you are installing your refrigerator next to a fixed wall, leave enough space on the hinge side to allow the door to swing open. Level the refrigerator. See "Adjust the Doors" part of this manual.

**NOTE:** This refrigerator is intended for use in a location where the temperature ranges from a minimum of 55°F (13°C) to a maximum of 110°F (43°C). The preferred room temperature range for optimum performance, which reduces electricity usage and provides superior cooling, is between 60°F (15°C) and 90°F (32°C). It is recommended that you do not install the refrigerator near a heat source, such as an oven or radiator.



## Electrical Requirements

### **⚠ WARNING**



#### Electrical Shock Hazard

Plug into a grounded 3 prong outlet.

Do not remove ground prong.

Do not use an adapter.

Do not use an extension cord.

Failure to follow these instructions can result in death, fire, or electrical shock.

Before you move your refrigerator into its final location, it is important to make sure you have the proper electrical connection.

#### Recommended Grounding Method

A 115 volt, 60 Hz, AC only, 15 or 20 A fused, grounded electrical supply is required. It is recommended that a separate circuit serving only your refrigerator be provided. Use an outlet that cannot be turned off by a switch. Do not use an extension cord.

**NOTE:** Before performing any type of installation or cleaning, or removing a light bulb, turn cooling off or turn the control (Thermostat, Refrigerator, or Freezer control depending on the model) to OFF, and then disconnect the refrigerator from the electrical source. When you are finished, reconnect the refrigerator to the electrical source and turn cooling on or reset the control (Thermostat, Refrigerator, or Freezer control, depending on the model) to the desired setting. See "Using the Controls" in the User Instructions, User Guide, or Use & Care Guide.

## Water Supply Requirements

Read all directions before you begin.

#### IMPORTANT:

- Connect to potable water supply only.

Do not use with water that is microbiologically unsafe or of unknown quality without adequate disinfection before or after the system. Systems certified for cyst reduction may be used on disinfected waters that may contain filterable cysts.

- If you turn the refrigerator on before the water line is connected, turn the ice maker off.
- All installations must meet local plumbing code requirements.
- Use copper tubing and check for leaks. Install copper tubing only in areas where the household temperatures will remain above freezing.

**TOOLS NEEDED:** Flat-blade screwdriver, 7/16" and 1/2" open-end wrenches or 2 adjustable wrenches, 1/4" nut driver and drill bit, cordless drill. Gather the required tools and parts before starting installation. Read and follow the instructions provided with any tools listed.

**NOTE:** Your refrigerator dealer has a kit available with a 1/4" (6.35 mm) saddle-type shutoff valve, a union, and copper tubing. Before purchasing, make sure a saddle-type valve complies with your local plumbing codes. Do not use a piercing-type or 3/16" (4.76 mm) saddle valve which reduces water flow and clogs more easily.

## Water Pressure

A cold water supply with water pressure between 30 and 120 psi (207 and 827 kPa) is required to operate the ice maker. If you have questions about your water pressure, call a licensed, qualified plumber.

### Reverse Osmosis Water Supply

If a reverse osmosis water filtration system is connected to your cold water supply, the water pressure to the reverse osmosis system needs to be a minimum of 40 to 60 psi (276 to 414 kPa).

If the ice maker is still not operating properly:

- Check to see whether the sediment filter in the reverse osmosis system is blocked. Replace the filter if necessary.
- Allow the storage tank on the reverse osmosis system to refill after heavy usage.

If you have questions about your water pressure, call a licensed, qualified plumber.

## Connect the Water Supply (on some models)

Read all directions before you begin.

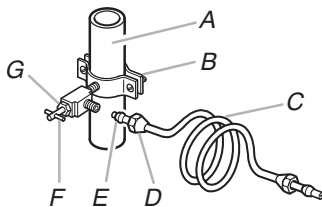
**IMPORTANT:** If you turn the refrigerator on before the water line is connected, turn the ice maker off to avoid excessive noise or damage to the water valve.

### Connect the Water Line

1. Unplug refrigerator or disconnect power.
2. Turn off main water supply. Turn on nearest faucet long enough to clear line of water.
3. Locate a 1/2" to 1 1/4" (1.27 cm to 3.18 cm) vertical cold water pipe near the refrigerator.

#### IMPORTANT:

- Make sure it is a cold water pipe.
  - Horizontal pipe will work. Drill on the top side of the pipe, not the bottom. This will help keep water away from the drill and normal sediment from collecting in the valve.
4. Determine the length of copper tubing you will need. Measure from the connection on lower left rear of refrigerator to the water pipe. Add 7 ft (2.1 m) to allow for cleaning. Use 1/4" (6.35 mm) O.D. (outside diameter) copper tubing. Be sure both ends of copper tubing are cut square.
  5. Using a cordless drill, drill a 1/4" hole in the cold water pipe you have selected.



- A. Cold water pipe
- B. Pipe clamp
- C. Copper tubing
- D. Compression nut
- E. Compression sleeve
- F. Shutoff valve
- G. Packing nut

6. Fasten the shutoff valve to the cold water pipe with the pipe clamp. Be sure the outlet end is solidly in the 1/4" drilled hole in the water pipe and that the washer is under the pipe clamp. Tighten the packing nut. Tighten the pipe clamp screws slowly and evenly so washer makes a watertight seal. Do not overtighten.

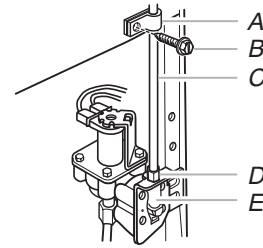
7. Slip the compression sleeve and compression nut on the copper tubing as shown. Insert the end of the tubing into the outlet end squarely as far as it will go. Screw compression nut onto outlet end with adjustable wrench. Do not overtighten.
8. Place the free end of the tubing in a container or sink, and turn on the main water supply. Flush the tubing until water is clear. Turn off the shutoff valve on the water pipe. Coil the copper tubing.

### Connect to Refrigerator

**NOTE:** On kit models, attach water valve to refrigerator according to kit instructions.

#### Style 1

1. Unplug refrigerator or disconnect power.
2. Attach the copper tube to the valve inlet using a compression nut and sleeve as shown. Tighten the compression nut. Do not overtighten.
3. Use the tube clamp on the back of the refrigerator to secure the tubing to the refrigerator as shown. This will help avoid damage to the tubing when the refrigerator is pushed back against the wall.
4. Turn shutoff valve ON.
5. Check for leaks. Tighten any connections (including connections at the valve) or nuts that leak.

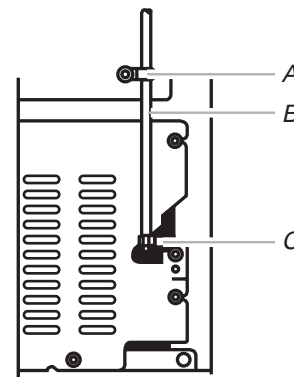


- A. Tube clamp
- B. Tube clamp screw
- C. Copper tubing
- D. Compression nut
- E. Valve inlet

6. The ice maker is equipped with a built-in water strainer. If your water conditions require a second water strainer, install it in the 1/4" (6.35 mm) water line at either tube connection. Obtain a water strainer from your nearest appliance dealer.

#### Style 2

1. Unplug refrigerator or disconnect power.
2. Disconnect the tube clamp on the back of the product and insert the copper tubing through the clamp as shown.
3. Attach the copper tube to the valve inlet using a compression nut and sleeve as shown.
4. Tighten the compression nut. Do not overtighten. Reattach the tube clamp and tube to the back of the cabinet.



- A. Tube clamp
- B. Copper tubing
- C. Compression nut

- Turn shutoff valve ON. Check for leaks. Tighten any connections (including connections at the valve) or nuts that leak.
- The ice maker is equipped with a built-in water strainer. If your water conditions require a second water strainer, install it in the 1/4" (6.35 mm) water line at either tube connection. Obtain a water strainer from your nearest appliance dealer.

### Complete the Installation

## ⚠ WARNING



### Electrical Shock Hazard

Plug into a grounded 3 prong outlet.

Do not remove ground prong.

Do not use an adapter.

Do not use an extension cord.

Failure to follow these instructions can result in death, fire, or electrical shock.

- Plug into a grounded 3 prong outlet.

**NOTE:** Allow 24 hours to produce the first batch of ice. Discard the first three batches of ice produced. Allow 3 days to completely fill ice container.

## Refrigerator Doors

Depending on the width of your doorway, you may need to remove the doors to move the refrigerator into your home. Also, the door hinges are factory installed on the right-hand side. If you want the door to open from the other direction, you must reverse the door swing.

### IMPORTANT:

## ⚠ WARNING



### Electrical Shock Hazard

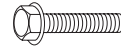
Disconnect power before removing doors.

Failure to do so can result in death or electrical shock.

- Before you begin, turn the refrigerator control off, unplug refrigerator or disconnect power. Remove food and any adjustable door or utility bins from doors.
- Depending on your model, your refrigerator has either **Style 1** - Contour Doors or **Style 2** - Standard Doors. Reference the graphic specific to your model later in this section following "Final Steps."  
**NOTE:** A Reversibility Kit, which includes a new Brand Badge and hole covers, is available.

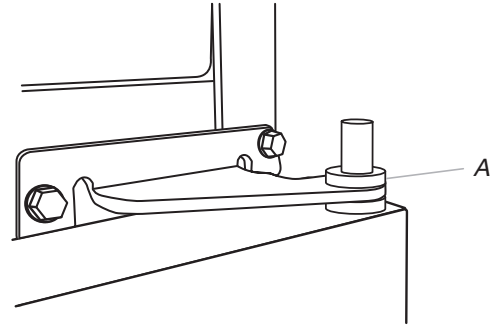
**Tools Needed:** 5/16" hex-head socket wrench, #2 Phillips screwdriver, flat-b lade screwdriver, 5/16" open-end wrench, flat 2" putty knife

## Remove Doors and Hinges



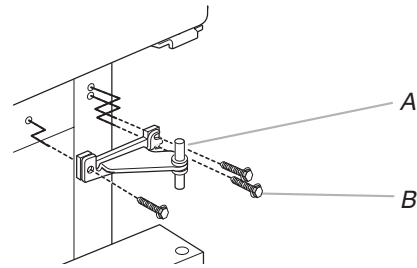
5/16" Hex-Head Hinge Screw

- Unplug refrigerator or disconnect power.
- Using a hex-head socket wrench, remove the three 5/16" hex-head hinge screws from the Top Hinge and lift up to remove the hinge. See Top Hinge graphic.  
**NOTE:** Provide additional support for the doors while the hinges are being moved. Do not depend on the door magnets to hold the doors in place while you are working.
- Lift the freezer door off of the center hinge and set it aside.
- Remove the washer from the top of the Center Hinge pin.



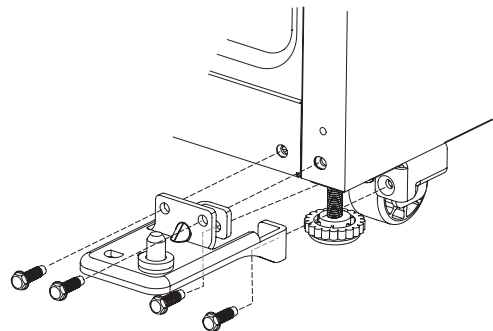
A. Washer

- Using a hex-head socket wrench and an open-end wrench, remove the three screws from the Center Hinge and remove the hinge. Set aside.



A. Center hinge  
B. 5/16" hex-head hinge screws

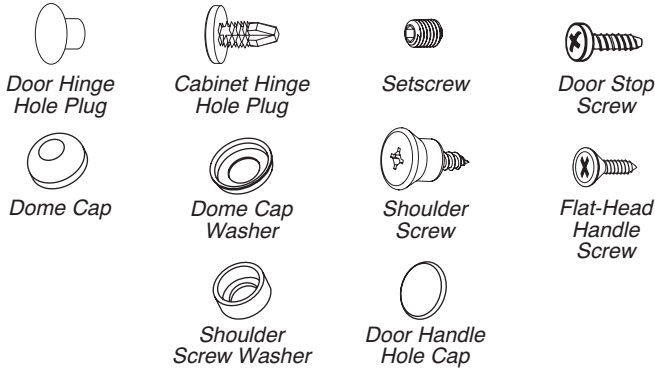
- Remove the washer from the bottom of the Center Hinge pin.
- Lift the refrigerator door from the Bottom Hinge and set aside.
- Using a hex-head socket wrench, remove the four 5/16" hex-head hinge screws from the Bottom Hinge and pull the hinge from the bottom of the refrigerator door.



## Reverse Doors and Hinges (optional)

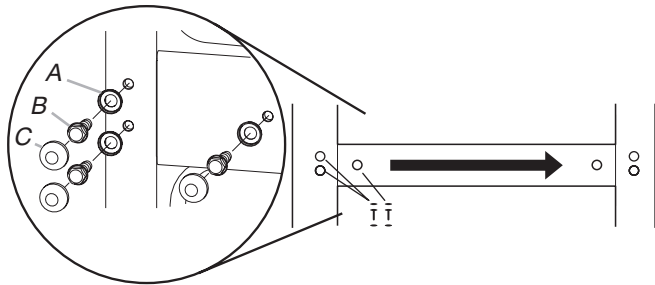
**IMPORTANT:** If you want to reverse your doors so that they open in the opposite direction, follow these steps. If you are not reversing the doors, see "Replace Doors and Hinges."

See complete graphics later in these instructions.



### Reverse Center Hinge

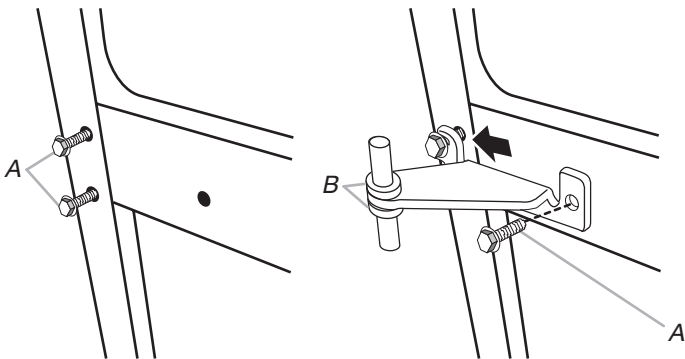
1. Remove the three dome caps and screws from the handle side and use them to fill the holes created when the hinge screws were removed.



A. Dome cap washers    C. Dome caps  
B. Hex-head hinge screws

2. Using the three 5/16" hex-head hinge screws, removed in Step 1, insert two screws halfway into the holes, leaving space to insert the Center Hinge.
3. Once the refrigerator door is in place, slide the center hinge from the right onto the screws, insert the third screw, and then tighten all screws completely.

**NOTE:** Make sure the washers are in place on both the top and bottom pins of the center hinge.



A. 5/16" hex-head hinge screws  
B. Washers

### Reverse Freezer Door

1. Remove the three cabinet hole plugs from the top of the cabinet and place them in the hinge holes on the opposite side.



A. Cabinet hole plugs

2. Remove the door handles. See the model specific graphics later in these instructions.

#### Door Handles installed with flat-head screws and setscrews:

- Remove the two flat-head handle screws from the bottom of the freezer door handle.
- Using the 1/8" hex key, loosen the setscrew attaching the top of the handle.
- Pull the handle away from the door to release it from the shoulder screw. Keep all parts together.

#### Door handles installed with flat-head screws only:

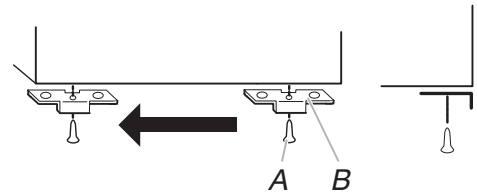
- Remove the screw cover and the three flat-head handle screws. Keep all parts together.

3. Using the plastic tool (provided), remove the brand badge from the freezer door by prying up the right-hand side and slowly peeling the badge away from the door, revealing the hole to mount the door handle.

#### NOTES:

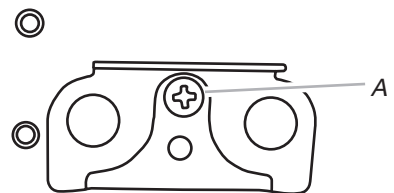
- To avoid scratching the finish, do not use a sharp or metallic object to pry the brand badge from the door.
- Rub a small amount of liquid dish soap over any adhesive residue with your fingers. Rinse the door with warm water and dry with a soft cloth.

4. Depending on your model, remove the shoulder screw and its washer from the left-hand side of the door and fasten it into the hole that was behind the brand badge.
5. Remove the door stop from the bottom of the freezer door.



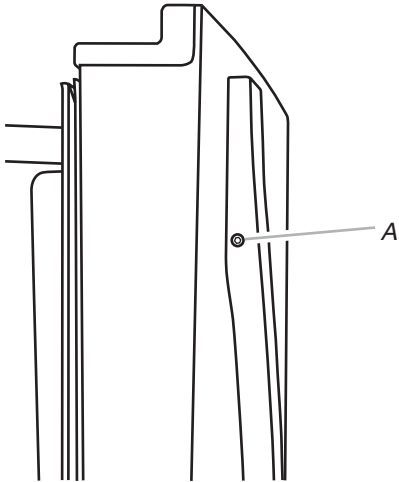
A. Door stop screw  
B. Door stop

6. Move the door stop to the opposite side making sure that the hole in the door stop plate is aligned perfectly with the hole for the center hinge pin.
7. Using the screw removed earlier, fasten the door stop to the bottom of the freezer door.



A. Door stop screw

- Depending on your model, place the handle on the shoulder screw and push the handle toward the door until the mounting base is flush against the door.

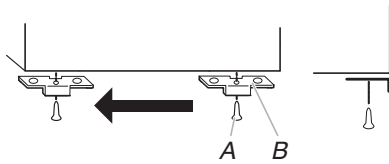


A. Setscrew

- Fasten the bottom of the handle to the bottom of the freezer door.
- Tighten all screws. Set aside the freezer door until the hinges and refrigerator door are in place.

### Reverse Refrigerator Door

- Remove the door stop from the bottom of the refrigerator door.



A. Door stop screw  
B. Door stop

- Replace the door stop on the opposite side of the refrigerator door, making sure that the hole in the door stop plate is aligned perfectly with the hole for the Bottom Hinge pin.
- Fasten the door stop to the door.
- Remove the door handles. See the model-specific graphics later in these instructions.

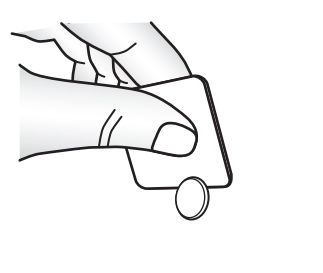
### Door Handles installed with flat-head screws and setscrews:

- Remove the screws from the top of the refrigerator door handle.
- Remove the setscrew from the lower part of the handle.
- Pull the handle away from the door to release it from the shoulder screw. Keep all parts together.

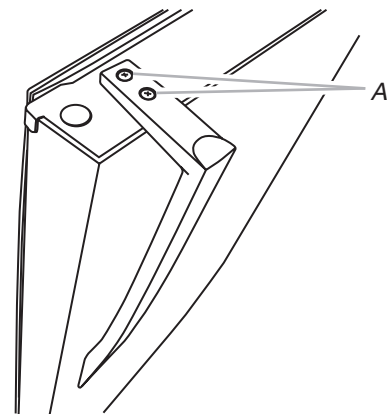
### Door handles installed with flat-head screws only:

- Remove the screw cover and the three flat-head handle screws. Keep all parts together.

- Remove the cap covering the hole on the opposite side of the door where the refrigerator door handle will be installed and discard the cap.



- Depending on your model, remove the shoulder screw and its washer from the left-hand side of the door and fasten it into the hole that was behind the cap.
- Depending on your model, place the handle on the shoulder screw and push the handle toward the door until the mounting base is flush against the door.
- Fasten the top of the refrigerator handle to the top of the refrigerator door.



A. Flat-head handle screws

- Cover the remaining hole with the cap (provided).

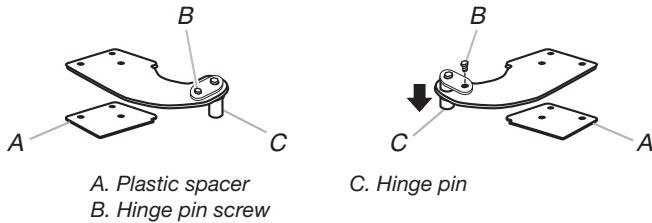


- Remove door hinge hole plug from the refrigerator door. Move to opposite side.
- Tighten all screws. Set aside refrigerator door until bottom hinge is installed on the opposite side of the refrigerator.

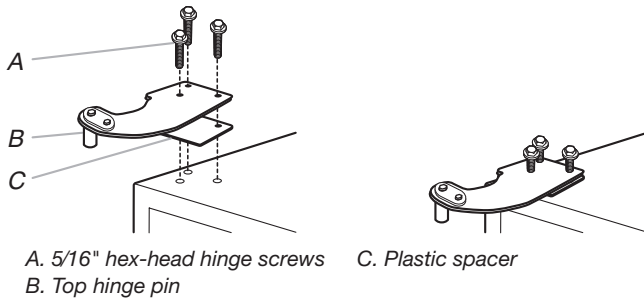


## Reverse Top Hinge - Contour door models only

1. Remove the screw attaching the hinge pin to the hinge. Turn the hinge over so that it is pointing in the opposite direction.
2. Place the plastic spacer beneath the hinge so that it will be between the hinge and the cabinet, making sure the holes are aligned.



3. Fasten the Top Hinge to the opposite side of the cabinet, inserting the screws only halfway, so you will be able to replace and align the freezer door later.

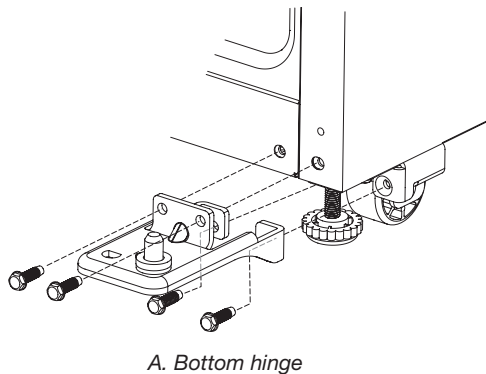


## Replace Doors and Hinges

**IMPORTANT:** Provide additional support for the doors while the hinges are being moved. Do not depend on the door magnets to hold the doors in place while you are working.

### Install Refrigerator Door

1. Insert the hinge pin into the Bottom Hinge of the refrigerator door and fasten the hinge to the cabinet. Do not tighten completely.



2. Place the washer on top of the Bottom Hinge pin.
3. Place the refrigerator door onto the Bottom Hinge pin.
4. Measure the distance from the bottom of the refrigerator door to the floor. The distance should be approximately 1 1/8" (4.6 cm).

**NOTE:** If necessary, loosen the Bottom Hinge, without removing the screws, adjust the door to the correct height and fully tighten the screws.

### Install Freezer Door

1. Place washer on the upper hinge pin of the Center Hinge.
  2. Place the freezer door on the upper hinge pin of the Center Hinge.
  3. Insert the Top Hinge pin into the drilled hole in the top of the freezer door. Do not tighten the screws completely.
  4. Align the doors so that the bottom of the freezer door aligns evenly with the top of the refrigerator door. Tighten all screws.
- NOTE:** The distance between the doors should be approximately 3/4" (19 mm).

### Final Steps

1. Plug in the refrigerator or reconnect the power.
2. Reset the controls. See "Using the Controls."
3. Return all removable door parts to doors and food to refrigerator.

# ⚠ WARNING

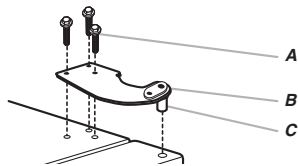
## Electrical Shock Hazard

Disconnect power before removing doors.  
Failure to do so can result in death or electrical shock.



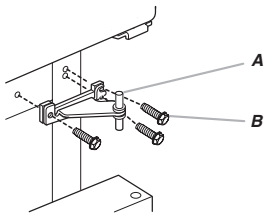
### Door Removal & Replacement

#### Top Hinge



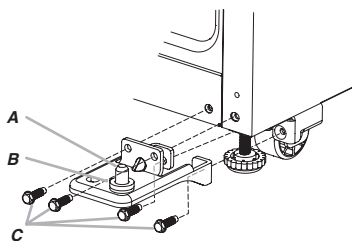
- A. 5/16" Hex-Head Hinge Screw
- B. Top Hinge
- C. Hinge Pin

#### Center Hinge



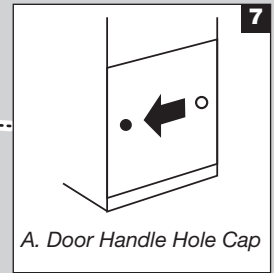
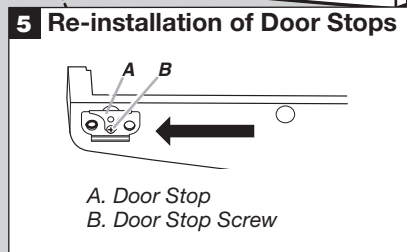
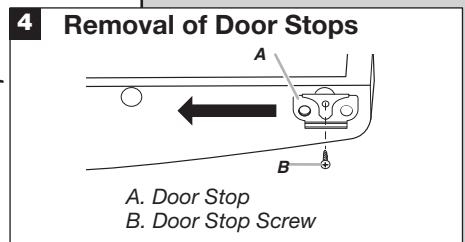
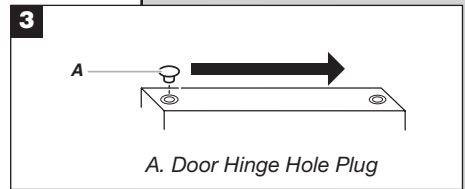
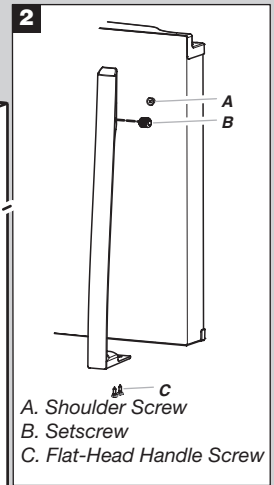
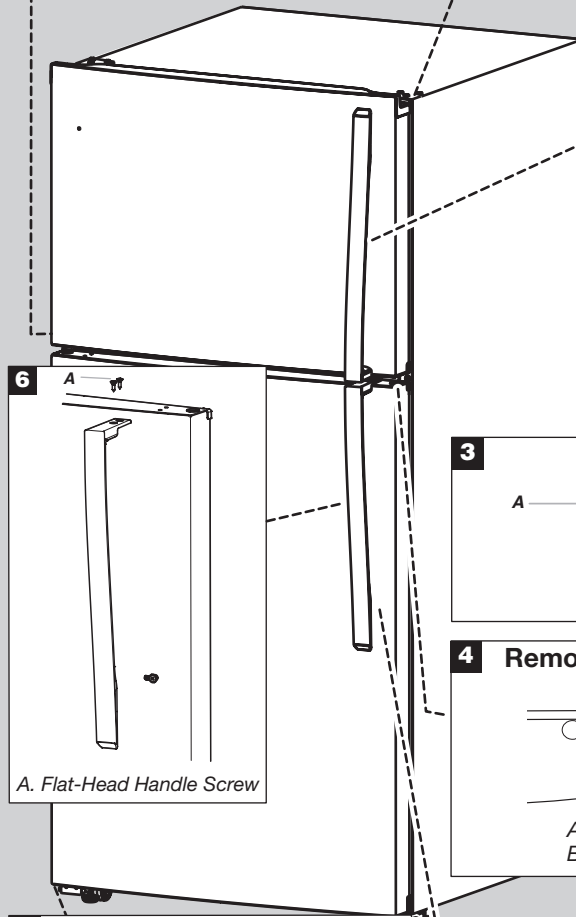
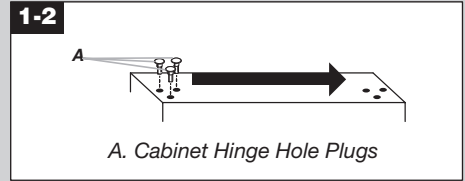
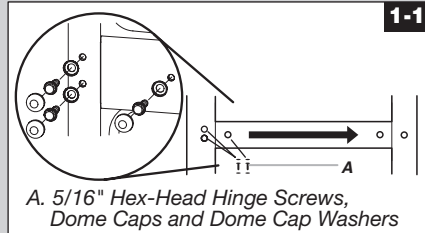
- A. Center Hinge
- B. 5/16" Hex-Head Hinge Screws

#### Bottom Hinge



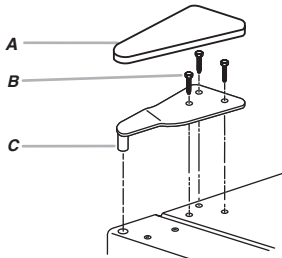
- A. Bottom Hinge
- B. Washer
- C. 5/16" Hex-Head Hinge Screw

### Door Swing Reversal (optional)



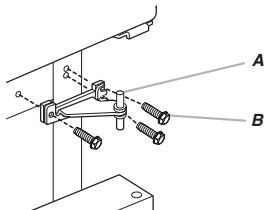
### Door Removal & Replacement

#### Top Hinge



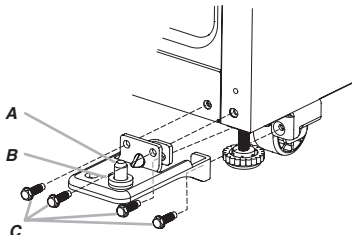
- A. Top Hinge Cover
- B. 5/16" Hex-Head Hinge Screw
- C. Top Hinge

#### Center Hinge



- A. Center Hinge
- B. 5/16" Hex-Head Hinge Screws

#### Bottom Hinge

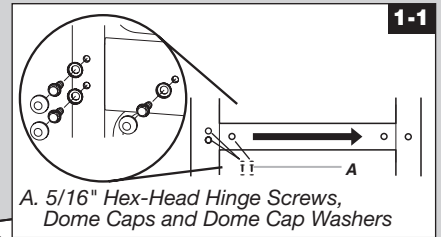


- A. Bottom Hinge
- B. Washer
- C. 5/16" Hex-Head Hinge Screw

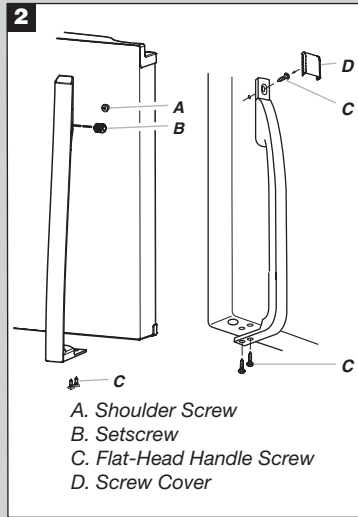
### Door Swing Reversal (optional)



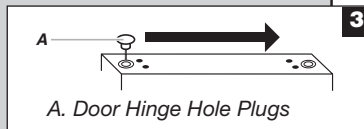
A. Cabinet Hinge Hole Plugs



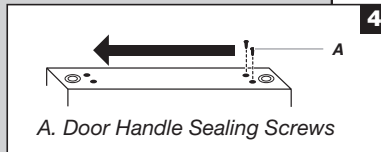
A. 5/16" Hex-Head Hinge Screws, Dome Caps and Dome Cap Washers



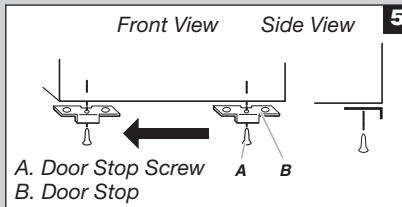
- A. Shoulder Screw
- B. Setscrew
- C. Flat-Head Handle Screw
- D. Screw Cover



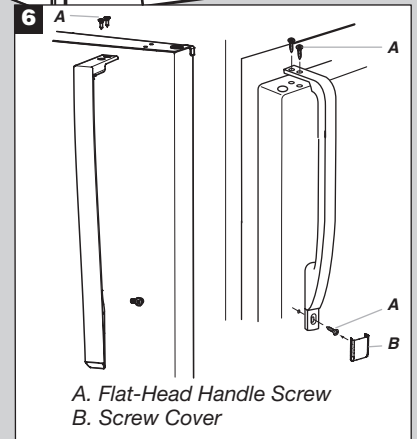
A. Door Hinge Hole Plugs



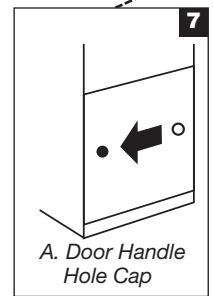
A. Door Handle Sealing Screws



- A. Door Stop Screw
- B. Door Stop



- A. Flat-Head Handle Screw
- B. Screw Cover



A. Door Handle Hole Cap

## Reversibility Kit Instructions

If your model came with a Reversibility kit, please use the Brand Badge Placement template and the following instructions to install the Brand Badge on the opposite side of the freezer door.

### Parts Included:

- Brand badge removal tool
- Brand badge template (on last page of User Instructions)
- Door handle hole cap

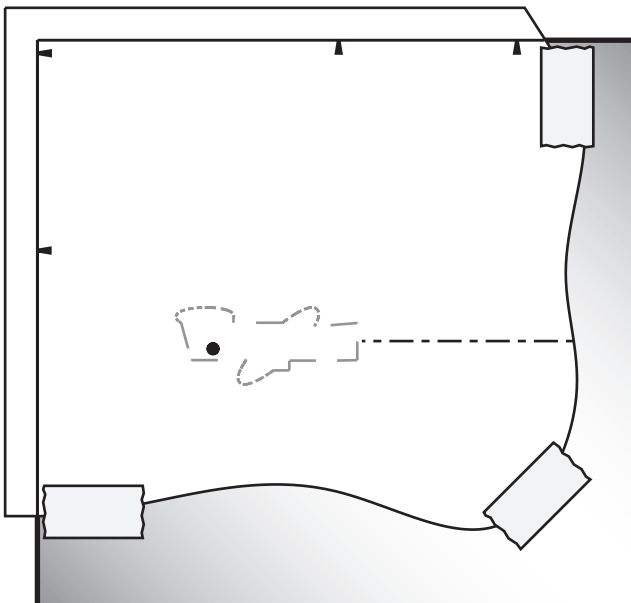
### Tools Needed:

- Scissors
- Masking tape

### Freezer Door

- Using the removal tool (provided), remove the brand badge from the freezer door by lifting up the right-hand side and peeling the badge away from the door from right to left.  
**NOTE:** To avoid scratching the door, do not use a sharp or metallic object to pry the brand badge from the door.
- Rub a small amount of liquid dish soap over any adhesive residue with your fingers. Rinse the door with warm water and dry with a soft cloth.
- Cut the template along the dotted lines that match the shape of the brand badge.
- Align the edges of the template with the side and top of the freezer door and tape the template to the door.

**NOTE:** When the template is correctly aligned, the hole in the door, where the handle was, will be within the cutout of the template, as shown.



- Using the cutout as a guide, press the brand badge onto the freezer door making sure that the hole is completely covered.
- Slowly remove the template.

## Adjust the Doors

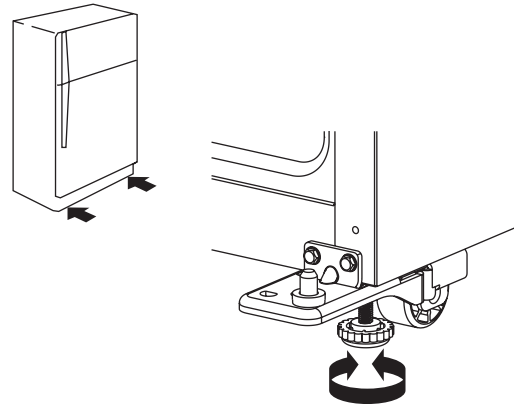
**IMPORTANT:** Your refrigerator complies with American Disabilities Act (ADA) guidelines.

### Door Closing

Your refrigerator has two front adjustable levelers - one on the right and one on the left. To avoid a hazard due to instability, if your refrigerator seems unsteady or you want the doors to close easier, adjust the refrigerator's tilt using the following instructions:

- Turn the leveler to lower or raise that side of the refrigerator. It may take several turns to adjust the tilt of the refrigerator.
  - To raise, turn the leveler to the right.
  - To lower, turn the leveler to the left.

**NOTE:** Having someone push against the top of the refrigerator takes some weight off the levelers and rollers which makes it easier to adjust.



- Open both doors again to make sure they close as easily as you like. If not, tilt the refrigerator slightly more to the rear by turning both leveling legs to the left; it may take several more turns.

**NOTE:** To keep the refrigerator level, you should turn both leveling legs the same amount.

- Using a level, be sure that the refrigerator is still level side to side. Readjust if necessary.

### Door Aligning

If the space between your doors looks uneven, you can adjust it using the following instructions:

- Depending on your model, remove the Top Hinge cover.
- Loosen the top hinge screws using a 5/16" socket or wrench.
- Have someone hold the door in place or put a spacer between the doors while you tighten the top hinge screws.
- Replace the Top Hinge cover, if removed in Step 1.

# REFRIGERATOR USE

## Using the Controls

Your refrigerator has two controls that affect the temperature. The Temperature control located at the top front of the refrigerator compartment and the Airflow control located on the back wall of the freezer compartment.

### IMPORTANT:

- The recommended setting should be correct for normal household refrigerator use. The controls are set correctly when milk or juice is as cold as you like and when ice cream is firm.
  - Wait 24 hours for your refrigerator to cool completely before adding food. If you add food before the refrigerator has cooled completely, your food may spoil.
- NOTE:** Adjusting the refrigerator and freezer temperature controls to a colder than recommended setting will not cool the compartments any faster.
- If the temperature is too warm or too cold in the refrigerator or freezer, first check the air vents to be sure they are not blocked before adjusting the controls.

### Temperature Control

For your convenience, the Temperature control is preset at the factory. When you first install your refrigerator, make sure the control is still preset as shown.

#### Recommended Setting



### Cooling Off/On

- To turn cooling off, press and hold the Setting button for 4 seconds until all lights are illuminated for 1 second. To turn cooling back on, press and hold the Setting button again for 4 seconds.

**NOTE:** Neither compartment will cool when the control is set to OFF.



### Adjusting the Temperature Control

If you need to adjust the temperature in either the refrigerator or freezer compartment, use the settings listed in the chart below as a guide.

**NOTE:** Except when starting the refrigerator, do not adjust the control more than one setting at a time. Wait 24 hours between adjustments for the temperature to stabilize.

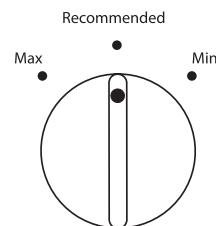
- Press the SETTING button to toggle among the 4 LED lights which indicate the temperature setting. Reading from left to right, the LED in the first position is the least cold. The LEDs indicate increasingly colder settings as you continue to the right until all 4 LEDs are illuminated.

CONDITION/REASON:	ADJUSTMENT:
REFRIGERATOR too warm	TEMPERATURE control one setting higher
FREEZER too warm/Too little ice	AIRFLOW or TEMPERATURE control one setting higher
REFRIGERATOR too cold	TEMPERATURE control one setting lower
FREEZER too cold	AIRFLOW or TEMPERATURE control one setting lower

### Airflow Control

The Airflow control regulates the amount of air flowing between the freezer and the refrigerator compartments.

When you plug in the refrigerator for the first time, turn the Airflow control to the Recommended setting.



### Adjusting the Airflow Control

If you want to temporarily increase the cold airflow to a specific compartment, adjust the control.

- Max - Increase airflow to the freezer.
- Min - Increase airflow to the refrigerator.

**IMPORTANT:** Once the performance is achieved, return the Airflow control to the Recommended setting to keep the refrigerator operating at optimum efficiency.

CONDITION/REASON:	ADJUSTMENT:
Heavy ice use	Max
Hot room temperature	Max - to maintain ice making production rate
Large quantity of groceries	Min - to quickly chill food and beverages

# REFRIGERATOR FEATURES

Your model may have some or all of these features.

## Important information to know about glass shelves and covers:

Do not clean glass shelves or covers with warm water when they are cold. Shelves and covers may break if exposed to sudden temperature changes or impact, such as bumping. Tempered glass is designed to shatter into many small, pebble-size pieces. This is normal. Glass shelves and covers are heavy. Use both hands when removing them to avoid dropping.

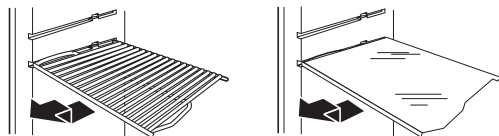
## Refrigerator Shelves

The shelves in your refrigerator are adjustable to match your individual storage needs.

Storing similar food items together in your refrigerator and adjusting the shelves to fit different heights of items will make finding the exact item you want easier. It will also reduce the amount of time the refrigerator door is open, and save energy.

### To remove and replace a shelf:

1. Remove items from the shelf.
2. Slide the shelf straight out to the stop.
3. Depending on your model, lift back or front of the shelf past the stop. Slide shelf out the rest of the way.
4. Replace the shelf by sliding the back of the shelf into the track in the wall of the cabinet.
5. Guide the front of the shelf into the shelf track. Be sure to slide the shelf in all the way.



## Deli Drawer

The deli drawer design allows flexible positioning.

### Deli Drawer

#### To reposition the deli drawer:

1. Remove deli drawer.
2. Release cover and place it between the desired crossbars.
3. Secure the rear clips onto the shelf.
4. Replace the deli drawer.

#### To remove and replace the deli drawer:

1. Slide deli drawer out to the stop.
2. Lift front of deli drawer with one hand while supporting bottom of drawer with other hand. Slide drawer out the rest of the way.
3. Replace the drawer by sliding it back in fully past the drawer stop.

## Deli Drawer Cover

### To remove and replace the deli drawer cover:

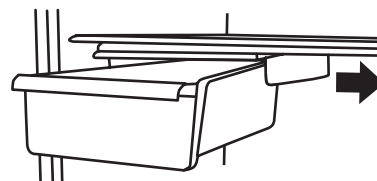
#### Style 1 - Wire Shelves

1. Remove the deli drawer.
2. Push the cover back to release the rear clips from the shelf. Tilt the cover up at the front, and then pull it forward.
3. Replace the deli drawer cover by fitting the notches and clips on the cover over the rear and center crossbars on the shelf.
4. Replace the deli drawer.

#### Style 2 - Glass Shelves

1. Remove the deli drawer.
2. Remove items from the shelf.
3. Slide the shelf straight out to the stop.
4. Slide the deli cover to one side until free.
5. Insert the cover into the shelf tracks.
6. Slide the shelf back into the refrigerator, and then replace the deli drawer.

**NOTE:** The deli drawer slides sideways on the shelf to allow for flexible positioning.



## Meat Storage Guide

Store most meat in original wrapping as long as it is airtight and moisture-proof. Rewrap if necessary. See the following chart for storage times. When storing meat longer than the times given, freeze the meat.

Fresh fish or shellfish.....Use same day as purchased.  
Chicken, ground beef, variety meats (liver) ..... 1-2 days  
Cold cuts, steaks/roasts ..... 3-5 days  
Cured meats.....7-10 days  
Leftovers - Cover leftovers with plastic wrap, aluminum foil, or plastic containers with tight lids.

## Crisper

### Crisper Drawers

#### To remove and replace the crisper drawer:

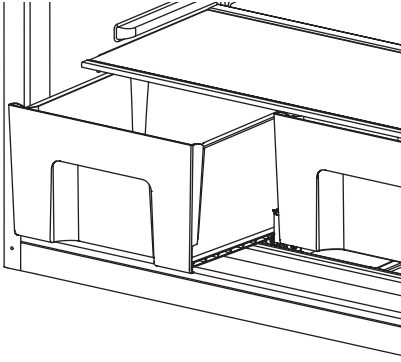
1. Slide the crisper drawer straight out to the stop. Lift the front and slide the drawer out the rest of the way.
2. Replace the drawer by sliding the drawer in fully past the stop.

### Crisper Cover

#### To remove and replace the crisper cover:

1. Remove the crisper(s).
2. Pull the glass straight out.

- Replace the glass by pushing it straight in.



### Crisper Humidity Control

You can control the amount of humidity in the moisture-sealed crisper. Adjust the control to any setting between LOW and HIGH.

LOW (open) lets moist air out of the crisper for best storage of fruits and vegetables with skins.

- **Fruit:** Wash, let dry, and store in refrigerator in plastic bag or crisper. Do not wash or hull berries until they are ready to use. Sort and keep berries in original container in crisper or store in a loosely closed paper bag on a refrigerator shelf.
- **Vegetables with skins:** Place in plastic bag or plastic container and store in crisper.

HIGH (closed) keeps moist air in the crisper for best storage of fresh, leafy vegetables.

- **Leafy vegetables:** Wash in cold water, drain, and trim or tear off bruised and discolored areas. Place in plastic bag or plastic container and store in crisper.

## FREEZER FEATURES

Your model may have some or all of these features.

### Important information to know about glass shelves and covers:

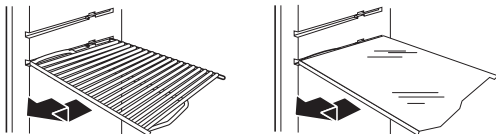
Do not clean glass shelves or covers with warm water when they are cold. Shelves and covers may break if exposed to sudden temperature changes or impact, such as bumping. Tempered glass is designed to shatter into many small, pebble-size pieces. This is normal. Glass shelves and covers are heavy. Use both hands when removing them to avoid dropping.

### Freezer Shelf

Depending on your model, the shelf may be wire or glass.

#### To remove and replace a shelf:

- Remove items from the shelf.
- Slide the shelf straight out to the stop.
- Depending on your model, lift back or front of the shelf past the stop. Slide shelf out the rest of the way.
- Replace the shelf by sliding the back of the shelf into the track in the wall of the cabinet.
- Guide the front of the shelf into the shelf track. Be sure to slide the shelf in all the way.



### Frozen Food Storage Guide

Storage times will vary according to the quality and type of food, the type of packaging or wrap used (should be airtight and moisture-proof), and the storage temperature. Seal the package or container securely to avoid taste and odor transfer throughout the product. Ice crystals inside a sealed package are normal. This simply means that moisture in the food and air inside the package have condensed, creating ice crystals.

Put no more unfrozen food into the freezer than will freeze within 24 hours (no more than 2 to 3 lbs of food per cubic foot [907 to 1,350 g per L] of freezer space). Leave enough space in the freezer for air to circulate around packages. The freezer door must close tightly.

**NOTE:** For more information on preparing food for freezing, check a freezer guide or reliable cookbook.

## DOOR FEATURES

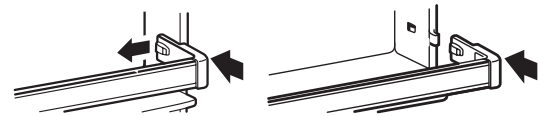
Your model may have some or all of these features.

### Door Rails

The door rails may be removed for easier cleaning.

#### To remove and replace the rails:

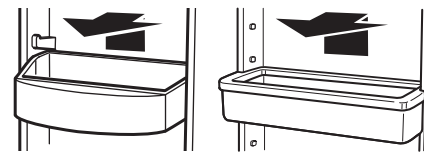
- Depending on your model, remove the rails by pushing in slightly on the front of the bracket while pulling out on the inside tab. Repeat these steps for the other end.
- Replace the rails by aligning the ends of the brackets with the buttons on the sides of the door liner. Firmly snap bracket and assembly onto the tabs above the shelf as shown.



### Door Bins

#### To remove and replace the bins:

- Remove the bin by lifting it and pulling it straight out.
- Replace the bin by sliding it in above the desired support and pushing it down until it stops.

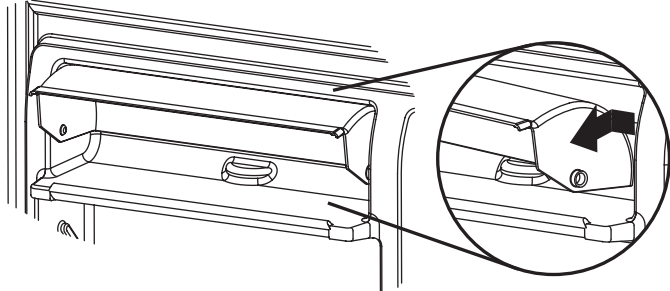


## Utility Compartment

The utility compartment may be removed for easier cleaning.

### To remove and replace the utility compartment:

1. Remove the utility compartment by squeezing against one side while raising the utility compartment up and pulling it straight out.
2. Replace the utility compartment by positioning one side in the lock and sliding in the opposite side until it stops.



## Ice Maker

**IMPORTANT:** For models with a water filter, after connecting the refrigerator to a water source or replacing the water filter, fill and discard three full containers of ice to prepare the water filter for use.

For products without any part of the ice dispensing circuit, ice maker and internal water circuit parts can only be installed by the Manufacturer or by its Service Agent.

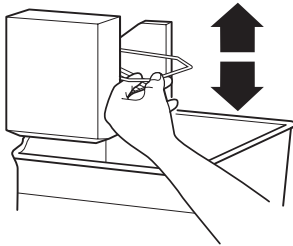
For Easy Connect (ice maker ready) products, ice maker can be easily installed by the user, following instruction given with the kit. In "Accessories" part of this manual you can find the ice maker part number to be purchased.

### Turning the Ice Maker On/Off

To turn the ice maker on, simply lower the wire shut-off arm.

To manually turn the ice maker off, lift the wire shut-off arm to the Off (arm up) position and listen for the click.

**NOTE:** Your ice maker has an automatic shutoff. As ice is made, the ice cubes will fill the ice storage bin and the ice cubes will raise the wire shut-off arm to the Off (arm up) position. Do not force the wire shut-off arm up or down.



### Ice Storage Bin

1. Wash the ice storage bin with mild soap and warm water.
2. Slide the ice storage bin under the ice maker and push it toward the back as far as it will go.
3. Lower the arm on the ice maker to the On position.

**NOTE:** It usually takes approximately 24 hours for the ice maker to begin producing ice. You may notice the ice has an "off-taste." If so, discard the first three batches of ice produced. After that the "off-taste" should be gone.

### Ice Production Rate

- The ice maker should produce approximately 8 to 12 batches of ice in a 24-hour period. Allow 3 days to completely fill the ice container.
- To increase ice production, lower the freezer and refrigerator temperatures. See "Using the Controls." Wait 24 hours between adjustments.

### Remember

- The quality of your ice will be only as good as the quality of the water supplied to your ice maker. Avoid connecting the ice maker to a softened water supply. Water softener chemicals (such as salt) can damage parts of the ice maker and lead to poor quality ice. If a softened water supply cannot be avoided, make sure the water softener is operating properly and is well maintained.
- Do not use anything sharp to break up the ice in the bin. This can cause damage to the ice storage bin and the dispenser mechanism.
- Do not store anything on top of or in the ice maker or ice storage bin.

## REFRIGERATOR CARE

### Cleaning

#### **! WARNING**



#### **Explosion Hazard**

**Use nonflammable cleaner.**

**Failure to do so can result in death, explosion, or fire.**

Both the refrigerator and freezer sections defrost automatically. However, clean both sections about once a month to avoid buildup of odors. Wipe up spills immediately.

### **IMPORTANT:**

- Because air circulates between both sections, any odors formed in one section will transfer to the other. You must thoroughly clean both sections to eliminate odors. To avoid odor transfer and drying out of food, wrap or cover foods tightly.
- For stainless steel models, stainless steel is corrosion resistant and not corrosion-proof. To help avoid corrosion of your stainless steel, keep your surfaces clean by using the following cleaning instructions.

### **To Clean Your Refrigerator:**

**NOTE:** Do not use abrasive or harsh cleaners such as window sprays, scouring cleansers, flammable fluids, muriatic acid, cleaning waxes, concentrated detergents, bleaches or cleansers containing petroleum products on exterior surfaces (doors and cabinet), plastic parts, interior and door liners, or gaskets. Do not use paper towels, scouring pads, or other harsh cleaning tools.

1. Unplug refrigerator or disconnect power.
2. Hand wash, rinse, and dry removable parts and interior surfaces thoroughly. Use a clean sponge or soft cloth and a mild detergent in warm water.



3. Clean the exterior surfaces.

**Painted metal:** Wash painted metal exteriors with a clean, soft cloth or sponge and a mild detergent in warm water. Rinse surfaces with clean, warm water and dry immediately to avoid water spots.

**Stainless steel:** Wash stainless steel surfaces with a clean, soft cloth or sponge and a mild detergent in warm water. Rinse surfaces with clean, warm water and dry immediately to avoid water spots.

**NOTE:** When cleaning stainless steel, always wipe in the direction of the grain to avoid cross-grain scratching.

4. Plug in refrigerator or reconnect power.

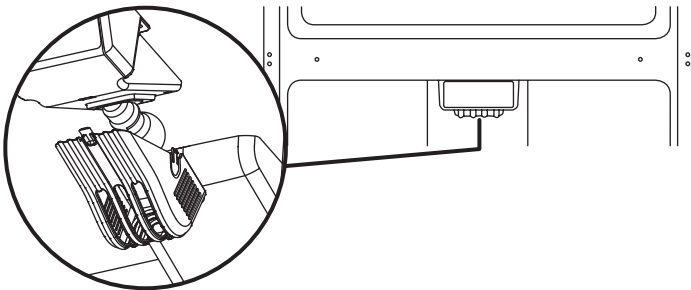
---

## Changing the Light Bulb

The light bulb is located behind the Temperature control.

**IMPORTANT:** Depending on your model, the light bulb in the your new refrigerator may use LED technology. If your model uses LED lighting and the light does not illuminate when the refrigerator door is opened, call for assistance or service. See Warranty for phone numbers.

1. Unplug refrigerator or disconnect power.
2. Remove the light shield by squeezing in on the sides and pulling it straight down.
3. Remove the light bulb and replace it with an appliance bulb of the same size and shape.
  - For the refrigerator compartment, to replace with an LED light bulb, order part number W10565137 (3.6 W).  
**NOTE:** Some LED replacement bulbs are not recommended for wet/damp environments. The refrigerator and freezer compartments are considered to be wet/damp environments. If using a brand of LED bulb other than the Whirlpool recommended LED bulb, before installation, read and follow all instructions on the LED packaging.
  - If an incandescent bulb is used to replace an LED bulb, use only incandescent bulbs for household appliances with a maximum of 60 W.
4. Replace the light shield.



5. Plug in refrigerator or reconnect power.

---

## Vacation and Moving Care

---

### Vacations

#### If You Choose to Leave the Refrigerator On While You're Away:

1. Use up any perishables and freeze other items.
2. If your refrigerator has an automatic ice maker and is connected to the household water supply, turn off the water supply to the refrigerator. Property damage can occur if the water supply is not turned off.
3. If you have an automatic ice maker, turn off the ice maker.  
**NOTE:** Raise the wire shut-off arm to OFF (up) position.
4. Empty the ice bin.

#### If You Choose to Turn Off the Refrigerator Before You Leave:

1. Remove all food from the refrigerator.
2. If your refrigerator has an automatic ice maker:
  - Turn off the water supply to the ice maker at least one day ahead of time.
  - When the last load of ice drops, raise the wire shut-off arm to the Off (up) position.
3. Turn off the Temperature controls. See "Using the Controls."
4. Clean refrigerator, wipe it, and dry well.
5. Tape rubber or wood blocks to the tops of both doors to prop them open far enough for air to get in. This stops odor and mold from building up.

---

### Moving

When you are moving your refrigerator to a new home, follow these steps to prepare it for the move.

1. If your refrigerator has an automatic ice maker:
  - Turn off the water supply to the ice maker at least one day ahead of time.
  - Disconnect the water line from the back of the refrigerator.
  - When the last load of ice drops, raise the wire shut-off arm to the Off (up) position.
2. Remove all food from the refrigerator and pack all frozen food in dry ice.
3. Empty the ice bin.
4. Turn off the Temperature controls. See "Using the Controls."
5. Unplug refrigerator.
6. Clean, wipe, and dry thoroughly.
7. Take out all removable parts, wrap them well, and tape them together so they don't shift and rattle during the move.
8. Depending on the model, raise the front of the refrigerator so it rolls more easily OR raise the leveling screws so they don't scrape the floor. See "Adjust the Door(s)" or "Door Closing and Door Alignment."
9. Tape the doors closed and tape the power cord to the back of the refrigerator.

When you get to your new home, put everything back and refer to the "Installation Instructions" section for preparation instructions. Also, if your refrigerator has an automatic ice maker, remember to reconnect the water supply to the refrigerator.

# TROUBLESHOOTING

First try the solutions suggested here. If you need further assistance or more recommendations that may help you avoid a service call, refer to the warranty page in this manual and scan the code with your mobile device, or visit [www.whirlpool.com/product\\_help](http://www.whirlpool.com/product_help). In Canada, visit [www.whirlpool.ca](http://www.whirlpool.ca).

Contact us by mail with any questions or concerns at the address below:

In the U.S.A.:

Whirlpool Brand Home Appliances  
Customer eXperience Center  
553 Benson Road  
Benton Harbor, MI 49022-2692

In Canada:

Whirlpool Brand Home Appliances  
Customer eXperience Centre  
200 – 6750 Century Ave.  
Mississauga, Ontario L5N 0B7

Please include a daytime phone number in your correspondence.

## Refrigerator Operation

### The refrigerator will not operate

#### ⚠ WARNING



#### Electrical Shock Hazard

- Plug into a grounded 3 prong outlet.**
- Do not remove ground prong.**
- Do not use an adapter.**
- Do not use an extension cord.**
- Failure to follow these instructions can result in death, fire, or electrical shock.**

- **Power cord unplugged?** Plug into a grounded 3 prong outlet.
- **Is outlet working?** Plug in a lamp to see if the outlet is working.
- **Household fuse blown or circuit breaker tripped?** Replace the fuse or reset the circuit breaker. If the problem continues, call an electrician.
- **Controls on?** Make sure the refrigerator control is ON. See “Using the Controls.”
- **New installation?** Allow 24 hours following installation for the refrigerator to cool completely.  
**NOTE:** Adjusting the temperature controls to coldest setting will not cool the refrigerator more quickly.

### The lights do not work

- **Light bulb burned out?** Replace light bulb. See “Changing the Light Bulb.”

### The motor seems to run too much

Your new refrigerator may run longer than your old one due to its high-efficiency compressor and fans. The unit may run even longer if the room is warm, a large food load is added, the door is opened often, or if the door has been left open.

### The refrigerator seems noisy

Refrigerator noise has been reduced over the years. Due to this reduction, you may hear intermittent noises from your new refrigerator that you did not notice from your old model. Below are listed some normal sounds with explanations.

- **Buzzing** - heard when the water valve opens to fill the ice maker
- **Pulsating** - fans/compressor adjusting to optimize performance.
- **Hissing/Rattling** - flow of refrigerant, movement of water lines, or from items placed on top of the refrigerator.
- **Sizzling/Gurgling** - water dripping on the heater during Defrost cycle
- **Popping** - contraction/expansion of inside walls, especially during initial cooldown
- **Water running/dripping** - may be heard when ice melts during defrosting and water runs into the drain pan.
- **Creaking/Cracking** - occurs as ice is being ejected from the ice maker mold

### The doors will not close completely or they pop open

- **Door blocked open?** Move food packages away from door.
- **Bin or shelf in the way?** Push bin or shelf back in the correct position.
- **Crisper cover in the way?** Make sure the crisper cover is fully pushed in so that the back rests on the supports.
- **Refrigerator not tilted toward the rear?** So the doors will close easier, raise the front of the refrigerator so that it tilts slightly downward toward the rear. See “Adjust the Doors.”
- **Door closed too quickly?** Close the door slowly and firmly to keep the door from popping open.

---

### The door is difficult to open

---

## **WARNING**



### Explosion Hazard

Use nonflammable cleaner.

Failure to do so can result in death, explosion, or fire.

- **Gaskets dirty or sticky?** Clean gaskets and contact surfaces with mild soap and warm water. Rinse and dry with soft cloth.

---

## Temperature and Moisture

---

### Temperature is too warm

- **New installation?** Allow 24 hours following installation for the refrigerator to cool completely.
- **Door opened often or left open?** Allows warm air to enter refrigerator. Minimize door openings and keep door fully closed.
- **Large load of food added?** Allow several hours for refrigerator to return to normal temperature.
- **Controls set correctly for the surrounding conditions?** Adjust the controls a setting colder. Check temperature in 24 hours. See “Using the Controls.”

### There is interior moisture buildup

**NOTE:** Some moisture buildup is normal.

- **Humid room?** Contributes to moisture buildup.
- **Door opened often or left open?** Allows humid air to enter refrigerator. Minimize door openings and keep door fully closed.

---

## Ice and Water

---

### The ice maker is not producing ice or not enough ice

- **Refrigerator connected to a water supply and the supply shut-off valve turned on?** Connect refrigerator to water supply and turn water shut-off valve fully open.
- **Kink in the water source line?** A kink in the line can reduce water flow. Straighten the water source line.
- **Ice maker turned on?** Make sure wire shut-off arm or switch (depending on model) is in the On position.
- **New installation?** Wait 24 hours after ice maker installation for ice production to begin. Allow 3 days to completely fill the ice container.
- **Large amount of ice recently removed?** Allow 24 hours for ice maker to produce more ice.
- **Ice cube jammed in the ice maker ejector arm?** Remove ice from the ejector arm with a plastic utensil.
- **Reverse osmosis water filtration system connected to your cold water supply?** This can decrease water pressure. See “Water Supply Requirements.”

---

### The ice cubes are hollow or small

---

**NOTE:** This is an indication of low water pressure.

- **Water shut-off valve not fully open?** Turn the water shut-off valve fully open.
- **Kink in the water source line?** A kink in the line can reduce water flow. Straighten the water source line.
- **Reverse osmosis water filtration system connected to your cold water supply?** This can decrease water pressure. See “Water Supply Requirements.”
- **Questions remain regarding water pressure?** Call a licensed, qualified plumber.

---

### Off-taste, odor, or gray color in the ice

---

- **New plumbing connections?** New plumbing connections can cause discolored or off-flavored ice.
- **Ice stored too long?** Discard ice. Wash ice bin. Allow 24 hours for ice maker to make new ice.
- **Odor transfer from food?** Use airtight, moisture proof packaging to store food.
- **Are there minerals (such as sulfur) in the water?** A water filter may need to be installed to remove the minerals.

---

## ACCESSORIES

The following accessories are available for your refrigerator.

To order, contact us and ask for the part number.

In the U.S.A., visit our webpage [www.whirlpool.com/accessories](http://www.whirlpool.com/accessories) or call 1-800-901-2042.

In Canada, visit our webpage [www.whirlpoolparts.ca](http://www.whirlpoolparts.ca) or call 1-800-807-6777.

#### **Affresh® Stainless Steel Cleaner:**

In U.S.A., order Part #W10355016

In Canada, order Part #W10355016B

#### **Affresh® Stainless Steel Wipes:**

In U.S.A., order Part #W10355049

In Canada, order Part #W10355049B

#### **Affresh® Kitchen & Appliance Cleaner:**

In U.S.A., order Part #W10355010

In Canada, order Part #W10355010B

#### **Reversibility Kit:**

Order Part #W10395148

#### **Ice Maker Kit for Easy Connect Products (ice maker ready):**

Order Part #ECKMFEZ2

#### **Ice Maker Kit for Field Installable products:**

Order Part #3ECKMF87

**NOTE:** New hose-sets are to be used and old hose-sets should not be reused.

# WHIRLPOOL® REFRIGERATION LIMITED WARRANTY

ATTACH YOUR RECEIPT HERE. PROOF OF PURCHASE IS REQUIRED TO OBTAIN WARRANTY SERVICE.

Please have the following information available when you call the Customer eXperience Center:

- Name, address, and telephone number
- Model number and serial number
- A clear, detailed description of the problem
- Proof of purchase, including dealer or retailer name and address

## IF YOU NEED SERVICE:

1. Before contacting us to arrange service, please determine whether your product requires repair. Some questions can be addressed without service. Please take a few minutes to review the Troubleshooting section of the Use and Care Guide or visit [producthelp.whirlpool.com](http://producthelp.whirlpool.com).
2. All warranty service is provided exclusively by our authorized Whirlpool Service Providers. In the U.S. and Canada, direct all requests for warranty service to:

**Whirlpool Customer eXperience Center**

**In the U.S.A., call 1-800-253-1301. In Canada, call 1-800-807-6777.**

If outside the 50 United States or Canada, contact your authorized Whirlpool dealer to determine whether another warranty applies.

## FIVE YEAR LIMITED WARRANTY

### WHAT IS COVERED

#### ONE YEAR LIMITED WARRANTY

For one year from the date of purchase, when this major appliance is installed, operated, and maintained according to instructions attached to or furnished with the product, Whirlpool Corporation or Whirlpool Canada LP (hereafter "Whirlpool") will pay for factory specified replacement parts and repair labor to correct defects in materials or workmanship that existed when this major appliance was purchased or, at its sole discretion, replace the product. In the event of product replacement, your appliance will be warranted for the remaining term of the original unit's warranty period.

#### SECOND THROUGH FIFTH YEAR LIMITED WARRANTY ON CAVITY LINER AND SEALED REFRIGERATION SYSTEM

In the second through fifth years from the date of purchase, when this major appliance is installed, operated, and maintained according to the instructions attached to or furnished with the product, Whirlpool brand will pay for factory specified replacement parts and repair labor for the following components to correct non-cosmetic defects in materials and workmanship in this part that prevent function of the refrigerator and that existed when this major appliance was purchased:

- Refrigerator/freezer cavity liner if the part cracks due to defective materials or workmanship
- Sealed Refrigeration system (includes compressor, evaporator, condenser, dryer, and connecting tubing)

YOUR SOLE AND EXCLUSIVE REMEDY UNDER THIS LIMITED WARRANTY SHALL BE PRODUCT REPAIR AS PROVIDED HEREIN. Service must be provided by a Whirlpool designated service company. This limited warranty is valid only in the United States or Canada and applies only when the major appliance is used in the country in which it was purchased. This limited warranty is effective from the date of original consumer purchase. Proof of original purchase date is required to obtain service under this limited warranty.

### WHAT IS NOT COVERED

1. Commercial, non-residential, or multiple-family use, or use inconsistent with published user, operator, or installation instructions.
2. In-home instruction on how to use your product.
3. Service to correct improper product maintenance or installation, installation not in accordance with electrical or plumbing codes, or correction of household electrical or plumbing (e.g., house wiring, fuses, or water inlet hoses).
4. Consumable parts (e.g., light bulbs, batteries, air or water filters, preservation solutions, etc.).
5. Defects or damage caused by the use of non-genuine Whirlpool parts or accessories.
6. Damage from accident, misuse, abuse, fire, floods, acts of God, or use with products not approved by Whirlpool.
7. Repairs to parts or systems to correct product damage or defects caused by unauthorized service, alteration, or modification of the appliance.
8. Cosmetic damage, including scratches, dents, chips, and other damage to the appliance finishes, unless such damage results from defects in materials and workmanship and is reported to Whirlpool within 30 days.
9. Discoloration, rust, or oxidation of surfaces resulting from caustic or corrosive environments including, but not limited to, high salt concentrations, high moisture or humidity, or exposure to chemicals.
10. Food or medicine loss due to product failure.
11. Pickup or delivery. This product is intended for in-home repair.
12. Travel or transportation expenses for service in remote locations where an authorized Whirlpool servicer is not available.
13. Removal or reinstallation of inaccessible appliances or built-in fixtures (e.g., trim, decorative panels, flooring, cabinetry, islands, countertops, drywall, etc.) that interfere with servicing, removal, or replacement of the product.
14. Service or parts for appliances with original model/serial numbers removed, altered, or not easily determined.

**The cost of repair or replacement under these excluded circumstances shall be borne by the customer.**

### DISCLAIMER OF IMPLIED WARRANTIES

IMPLIED WARRANTIES, INCLUDING ANY IMPLIED WARRANTY OF MERCHANTABILITY OR IMPLIED WARRANTY OF FITNESS FOR A PARTICULAR PURPOSE, ARE LIMITED TO FIVE YEARS OR THE SHORTEST PERIOD ALLOWED BY LAW. Some states and provinces do not allow limitations on the duration of implied warranties of merchantability or fitness, so this limitation may not apply to you. This warranty gives you specific legal rights, and you also may have other rights that vary from state to state or province to province.

### DISCLAIMER OF REPRESENTATIONS OUTSIDE OF WARRANTY

Whirlpool makes no representations about the quality, durability, or need for service or repair of this major appliance other than the representations contained in this warranty. If you want a longer or more comprehensive warranty than the limited warranty that comes with this major appliance, you should ask Whirlpool or your retailer about buying an extended warranty.

### LIMITATION OF REMEDIES: EXCLUSION OF INCIDENTAL AND CONSEQUENTIAL DAMAGES

YOUR SOLE AND EXCLUSIVE REMEDY UNDER THIS LIMITED WARRANTY SHALL BE PRODUCT REPAIR AS PROVIDED HEREIN. WHIRLPOOL SHALL NOT BE LIABLE FOR INCIDENTAL OR CONSEQUENTIAL DAMAGES. Some states and provinces do not allow the exclusion or limitation of incidental or consequential damages, so these limitations and exclusions may not apply to you. This warranty gives you specific legal rights, and you also may have other rights that vary from state to state or province to province.

Nous vous REMERCIONS d'avoir acheté ce produit de grande qualité. Enregistrer votre nouveau réfrigérateur au [www.whirlpool.com](http://www.whirlpool.com). Au Canada, enregistrer votre réfrigérateur au [www.whirlpool.ca](http://www.whirlpool.ca).

Pour référence ultérieure, consigner par écrit les numéros de modèle et de série de votre produit. Ceux-ci se trouvent sur la paroi interne du compartiment de réfrigération.

Numéro de modèle \_\_\_\_\_ Numéro de série \_\_\_\_\_

## SÉCURITÉ DU RÉFRIGÉRATEUR

### Votre sécurité et celle des autres est très importante.

Nous donnons de nombreux messages de sécurité importants dans ce manuel et sur votre appareil ménager. Assurez-vous de toujours lire tous les messages de sécurité et de vous y conformer.



Voici le symbole d'alerte de sécurité.

Ce symbole d'alerte de sécurité vous signale les dangers potentiels de décès et de blessures graves à vous et à d'autres.

Tous les messages de sécurité suivront le symbole d'alerte de sécurité et le mot "DANGER" ou "AVERTISSEMENT". Ces mots signifient :

**⚠ DANGER**

**Risque possible de décès ou de blessure grave si vous ne suivez pas immédiatement les instructions.**

**⚠ AVERTISSEMENT**

**Risque possible de décès ou de blessure grave si vous ne suivez pas les instructions.**

Tous les messages de sécurité vous diront quel est le danger potentiel et vous disent comment réduire le risque de blessure et ce qui peut se produire en cas de non-respect des instructions.

## IMPORTANTES INSTRUCTIONS DE SÉCURITÉ

**AVERTISSEMENT :** Pour réduire le risque d'incendie, de choc électrique ou de blessure dans le cadre de l'utilisation du réfrigérateur, suivre les consignes de base suivantes :

- Brancher sur une prise de terre (reliée à la masse).
- Ne pas retirer la broche de terre.
- Ne pas utiliser d'adaptateur.
- Ne pas utiliser de rallonge.
- Débrancher la source de courant électrique avant l'entretien.
- Remplacer pièces et panneaux avant de faire la remise en marche.
- Enlever les portes de votre vieux réfrigérateur.
- Raccorder uniquement à une arrivée d'eau potable.
- Utiliser un produit de nettoyage ininflammable.
- Ne pas utiliser ou conserver d'essence ni de liquides ou gaz inflammables à proximité de cet ou d'autres appareils électriques. Les fumées peuvent causer des incendies ou des explosions.
- Utiliser deux ou plus de personnes pour déplacer et installer le réfrigérateur.
- Débrancher le réfrigérateur avant l'installation de la machine à glaçons (seulement pour modèles prêts à recevoir une machine à glaçons).
- Utiliser un verre robuste pour prendre des glaçons (sur certains modèles).
- Ne pas heurter les portes en verre du réfrigérateur (sur certains modèles).
- Cet appareil ne convient pas à une utilisation par des personnes (y compris des enfants) à capacités physiques, sensorielles ou mentales réduites, ou possédant un manque d'expérience et de connaissances, à moins qu'elles ne soient placées sous supervision ou qu'elles aient reçu des instructions concernant l'utilisation de l'appareil par une personne responsable de leur sécurité.
- Les enfants doivent être placés sous surveillance afin de s'assurer qu'ils ne jouent pas avec l'appareil.
- Si le cordon d'alimentation est endommagé, il doit être remplacé par le fabricant, son agent de réparation ou toute autre personne qualifiée afin d'éviter tout danger.
- Ne pas entreposer de substances explosives comme des aérosols avec agent propulseur inflammable dans cet appareil.
- Cet appareil est destiné à un usage domestique et à d'autres usages similaires comme :
  - espace de cuisine pour personnel de boutiques, bureaux et autres environnements professionnels;
  - résidences fermières et utilisation par les clients d'hôtels, de motels et d'autres types de résidences;
  - environnements de type chambres d'hôtes;
  - Banquets et autres utilisations non commerciales semblables.

**CONSERVEZ CES INSTRUCTIONS**

## Mise au rebut du vieux réfrigérateur

### **⚠ AVERTISSEMENT**

#### Risque de suffoquer

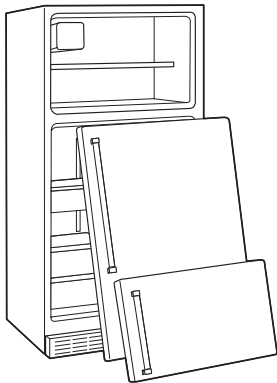
Enlever les portes de votre vieux réfrigérateur.

**Le non-respect de cette instruction peut causer un décès ou des lésions cérébrales.**

**IMPORTANT :** Le risque qu'un enfant puisse se retrouver coincé et suffoquer n'est pas chose du passé. Les réfrigérateurs jetés ou abandonnés restent dangereux, même s'ils ne restent à l'extérieur que pour "quelques jours seulement". Si l'ancien réfrigérateur doit être mis au rebut, suivre les instructions suivantes afin d'éviter les accidents.

#### Avant de jeter l'ancien réfrigérateur ou congélateur :

- Enlever les portes.
- Laisser les tablettes en place de sorte que les enfants ne puissent pas y pénétrer facilement.



#### Renseignements importants à propos de la mise au rebut des fluides réfrigérants :

Mettre le réfrigérateur au rebut conformément à la réglementation fédérale et locale. Les fluides réfrigérants doivent être évacués par un technicien certifié et agréé par l'EPA conformément aux procédures établies.

# INSTRUCTIONS D'INSTALLATION

## Déballage du réfrigérateur

### **⚠ AVERTISSEMENT**

#### Risque du poids excessif

Utiliser deux ou plus de personnes pour déplacer et installer le réfrigérateur.

**Le non-respect de cette instruction peut causer une blessure au dos ou d'autre blessure.**

## Retrait des matériaux d'emballage

**IMPORTANT :** Ne pas enlever l'encart en mousse blanche du retour d'air situé derrière le tableau de commande, au plafond du réfrigérateur. Si l'encart est enlevé, de la glace peut se former en provenance du congélateur et causer la formation de glaçons.

- Enlever tout résidu de ruban adhésif et de colle des surfaces du réfrigérateur avant de le mettre en marche. Frotter une petite quantité de savon liquide à vaisselle sur l'adhésif avec les doigts. Essuyer à l'eau tiède et sécher avec un chiffon doux.
- Ne pas utiliser d'instruments coupants, d'alcool à friction, de liquides inflammables ou de nettoyants abrasifs pour enlever le ruban adhésif ou la colle. Ces produits peuvent endommager la surface du réfrigérateur. Pour plus de renseignements, voir la section "Sécurité du réfrigérateur".

## Déplacement de votre réfrigérateur :

Votre réfrigérateur est lourd. Lors du déplacement de votre réfrigérateur pour le nettoyage ou un entretien ou réparation, veiller à recouvrir le plancher avec du carton ou un panneau de fibres dures pour éviter qu'il ne subisse tout dommage. Toujours tirer le réfrigérateur tout droit lors de son déplacement. Ne pas incliner le réfrigérateur d'un côté ou de l'autre ni le "faire marcher" en essayant de le déplacer car le plancher pourrait être endommagé.

## Nettoyage avant utilisation

Après avoir enlevé tous les matériaux d'emballage, nettoyer l'intérieur du réfrigérateur avant de l'utiliser. Voir les instructions de nettoyage dans "Entretien du réfrigérateur".

## Importants renseignements à savoir au sujet des tablettes et des couvercles en verre :

Ne pas nettoyer les tablettes ou couvercles en verre avec de l'eau tiède quand ils sont froids. Les tablettes et les couvercles peuvent se briser s'ils sont exposés à des changements soudains de température ou à un impact tel que coup brusque. Le verre trempé est conçu pour éclater en d'innombrables pièces minuscules. Ceci est normal. Les tablettes et les couvercles en verre sont lourds. Les saisir à deux mains lors de leur dépose afin d'éviter de les faire tomber.

## Exigences d'emplacement

### **⚠ AVERTISSEMENT**



#### Risque d'explosion

**Garder les matériaux et les vapeurs inflammables, telle que l'essence, loin du réfrigérateur.**

**Le non-respect de cette instruction peut causer un décès, une explosion ou un incendie.**

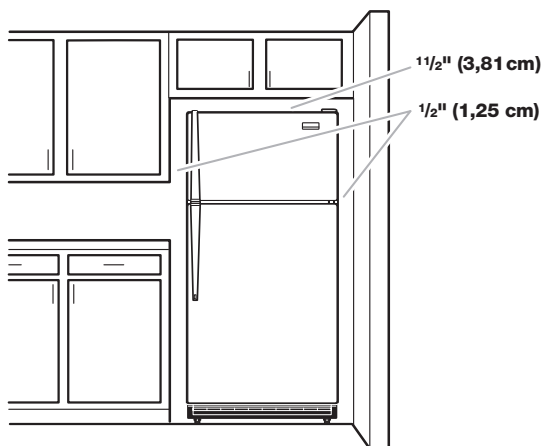
**IMPORTANT :** Ce réfrigérateur est conçu pour un usage domestique, à l'intérieur uniquement.

Pour obtenir une aération appropriée pour votre réfrigérateur, il est recommandé de laisser un espace de 1/2 po (1,25 cm) de chaque côté. Laisser un espace de 1 1/2 po (3,81 cm) entre le dessus du réfrigérateur et le dessous des armoires. Laisser un espace d'au moins 1 po (2,54 cm) entre l'arrière de l'appareil et le mur (le condensateur représente l'arrière, s'il est présent). Si le réfrigérateur comporte une machine à glaçons, s'assurer qu'un espace additionnel est prévu à l'arrière pour permettre les raccordements des conduits d'eau.

Si on installe le réfrigérateur près d'un mur fixe, laisser suffisamment d'espace du côté de la charnière pour permettre à la porte de s'ouvrir.

Niveler le réfrigérateur. Voir la section "Ajustement des portes" de ce guide.

**REMARQUE :** Ce réfrigérateur est conçu pour être utilisé dans un endroit où la température est comprise entre un minimum de 55 °F (13 °C) et un maximum de 110 °F (43 °C). La plage de température ambiante idéale pour un rendement optimal est comprise entre 60 °F (15 °C) et 90 °F (32 °C). Respecter cette plage de température permet aussi de réduire la consommation d'électricité et d'optimiser l'efficacité du refroidissement. Il est recommandé de ne pas installer le réfrigérateur près d'une source de chaleur comme un four ou un radiateur.



## Spécifications électriques

### **⚠ AVERTISSEMENT**



#### Risque de choc électrique

**Brancher sur une prise à 3 alvéoles reliée à la terre.**

**Ne pas enlever la broche de liaison à la terre.**

**Ne pas utiliser un adaptateur.**

**Ne pas utiliser un câble de rallonge.**

**Le non-respect de ces instructions peut causer un décès, un incendie ou un choc électrique.**

Avant de placer le réfrigérateur à son emplacement final, il est important de s'assurer d'avoir le raccordement électrique approprié.

#### **Méthode recommandée de liaison à la terre**

Chaque appareil doit être alimenté par un circuit de 115 V CA à 60 Hz relié à la terre et protégé par un fusible de 15 A ou 20 A. Il est recommandé d'utiliser un circuit distinct pour alimenter le réfrigérateur uniquement. Utiliser une prise de courant dont l'alimentation ne peut pas être interrompue par un interrupteur. Ne pas utiliser de rallonge.

**REMARQUE :** Avant d'installer ou de nettoyer un quelconque élément, ou de remplacer une ampoule d'éclairage, désactiver le refroidissement ou placer la commande (du thermostat, réfrigérateur ou congélateur selon le modèle) à OFF (arrêt) et débrancher ensuite le réfrigérateur de la source d'alimentation électrique. Lorsque vous avez terminé, reconnecter le réfrigérateur à la source d'alimentation électrique et réactiver le refroidissement ou replacer la commande (du thermostat, réfrigérateur ou congélateur selon le modèle) au réglage désiré. Voir la section "Utilisation des commandes" dans les instructions d'utilisation, le guide d'utilisation ou le guide d'utilisation et d'entretien.

## Spécifications de l'alimentation en eau

Lire toutes les instructions avant de commencer.

#### **IMPORTANT :**

- Brancher sur une arrivée d'eau potable uniquement.

Ne pas utiliser pour le filtrage d'une eau microbiologiquement polluée ou de qualité inconnue en l'absence d'un dispositif de désinfection adéquat avant ou après le système. Les systèmes certifiés pour la réduction de kyste peuvent être utilisés pour l'eau désinfectée qui peut contenir des kystes filtrables.

- Si on doit mettre en marche le réfrigérateur avant que la canalisation d'eau ne soit connectée, placer la machine à glaçons à Off (arrêt).
- Toutes les installations doivent être conformes aux exigences des codes locaux de plomberie.
- Utiliser un tuyau en cuivre et vérifier qu'il n'y a pas de fuite. Installer seulement des tuyaux en cuivre là où les températures resteront au-dessus du point de congélation.

**OUTILS REQUIS :** Tournevis à lame plate, clés plates de 7/16 po et 1/2 po ou deux clés à molette, tourne-écrou de 1/4 po et foret, une perceuse sans fil. Rassembler les outils et pièces nécessaires avant d'entreprendre l'installation. Lire et observer les instructions d'installation fournies avec chaque outil mentionné dans la liste.



**REMARQUE :** Votre marchand de réfrigérateurs propose une trousse avec un robinet d'arrêt à étrier de 1/4 po (6,35 mm), un raccord et un tube en cuivre. Avant de faire un achat, s'assurer que le robinet d'arrêt à étrier est conforme aux codes locaux de plomberie. Ne pas employer de robinet d'arrêt à étrier de 3/16 po (4,76 mm) ou de type à percer – ils réduisent le débit d'eau et s'obstruent plus facilement.

### Pression d'eau

Une alimentation en eau froide avec une pression entre 30 et 120 psi (207 à 827 kPa) est nécessaire pour faire fonctionner la machine à glaçons. Pour toute question au sujet de la pression de l'eau, faire appel à un plombier qualifié agréé.

### Alimentation en eau par osmose inverse

Si un système de filtration de l'eau par osmose inverse est raccordé à l'alimentation en eau froide, la pression de l'eau au système doit être d'un minimum de 40 à 60 lb/po<sup>2</sup> (276 à 414 kPa).

Si la machine à glaçons ne fonctionne toujours pas correctement :

- Vérifier que le filtre à sédiment dans le système à osmose inverse n'est pas obstrué. Remplacer le filtre si nécessaire.
- Laisser le réservoir du système d'osmose inverse se remplir après une utilisation intense.

Pour toute question au sujet de la pression de l'eau, faire appel à un plombier qualifié agréé.

## Raccordement à la canalisation d'eau (sur certains modèles)

Lire toutes les instructions avant de commencer.

**IMPORTANT :** Si l'on met en marche le réfrigérateur avant que la canalisation d'eau ne soit raccordée, éteindre la machine à glaçons pour éviter tout bruit excessif ou éviter d'endommager le robinet d'eau.

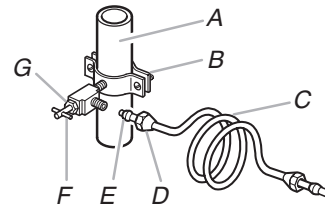
### Raccordement à la canalisation d'eau

1. Débrancher le réfrigérateur ou déconnecter la source de courant électrique.
2. Couper l'alimentation principale en eau. Ouvrir le robinet le plus proche assez longtemps pour vider l'eau du tuyau.
3. Identifier une canalisation d'eau froide verticale de 1/2 po à 1 1/4 po (1,27 cm à 3,18 cm) à proximité du réfrigérateur.

#### IMPORTANT :

- Vérifier qu'il s'agit d'une canalisation d'eau froide.
  - On peut aussi utiliser une canalisation horizontale. Percer par le dessus de la canalisation et non pas par le dessous. Ceci permet de tenir la perceuse à l'écart de l'eau et d'empêcher les sédiments qu'on trouve normalement dans l'eau de s'accumuler dans le robinet d'arrêt.
4. Déterminer la longueur de tube de cuivre à utiliser. Mesurer depuis le point de connexion (angle inférieur arrière gauche du réfrigérateur) et la canalisation d'eau. Ajouter 7 pi (2,1 m) pour permettre les opérations de nettoyage. Utiliser un tube en cuivre de 1/4 po (6,35 mm) de diamètre extérieur. Veiller à ce que le tube soit coupé d'équerre aux deux extrémités.

5. À l'aide d'une perceuse sans fil, percer un trou de 1/4 po dans la canalisation d'eau froide sélectionnée.



- A. Canalisation d'eau froide  
B. Bride de tuyau  
C. Tube en cuivre  
D. Écrou de compression  
E. Bague de compression  
F. Robinet d'arrêt  
G. Écrou de serrage

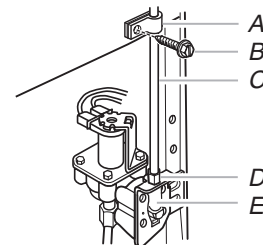
6. Fixer le robinet d'arrêt sur la canalisation d'eau froide avec la bride de tuyau. Vérifier que le raccord du robinet est bien engagé dans le trou de 1/4 po percé dans la canalisation d'eau et que la rondelle d'étanchéité se trouve sous la bride du tuyau. Serrer l'écrou de serrage. Serrer lentement et uniformément les vis fixant la bride de tuyau sur le tuyau afin d'assurer l'étanchéité du joint. Ne pas serrer excessivement.
7. Enfiler la bague et l'écrou de compression sur le tube en cuivre comme illustré. Insérer l'extrémité du tube directement dans l'extrémité de sortie, aussi loin que possible. Visser l'écrou de compression sur l'extrémité de sortie du raccord à l'aide d'une clé à molette. Ne pas serrer excessivement.
8. Placer le bout libre du tube dans un contenant ou évier et ouvrir le robinet principal d'alimentation en eau. Laisser l'eau s'écouler par le tube jusqu'à ce qu'elle soit limpide. Fermer le robinet d'arrêt de la canalisation d'eau. Lever le tube de cuivre.

### Raccordement au réfrigérateur

**REMARQUE :** Pour les modèles en kit, installer la valve d'entrée d'eau sur le réfrigérateur conformément aux instructions du kit.

#### Style 1

1. Débrancher le réfrigérateur ou déconnecter la source de courant électrique.
2. Raccorder le tube de cuivre au robinet d'arrivée d'eau à l'aide d'un écrou et d'une bague de compression, comme illustré. Serrer l'écrou de compression. Ne pas serrer excessivement.
3. Utiliser la bride du tube à l'arrière du réfrigérateur pour fixer le tube au réfrigérateur comme illustré. Ceci aide à éviter d'endommager le tube lorsque le réfrigérateur est poussé contre le mur.
4. OUVRIER le robinet d'arrêt.
5. Vérifier qu'il n'y a pas de fuites. Serrer tous les raccords (y compris les raccords du robinet) ou les écrous qui présentent des fuites.

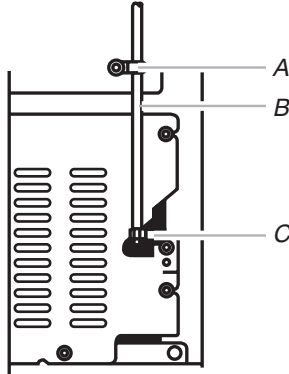


- A. Bride de tube  
B. Vis de bride de tuyau  
C. Tube en cuivre  
D. Écrou de compression  
E. Orifice d'arrivée d'eau

6. La machine à glaçons comporte un filtre à eau incorporé. Si les caractéristiques de l'eau requièrent un second filtre à eau, installer celui-ci dans la canalisation d'eau de 1/4 po (6,35 mm) à l'une ou l'autre des extrémités de la canalisation. Se procurer un filtre à eau auprès de votre revendeur d'appareils ménagers le plus proche.

## Style 2

1. Débrancher le réfrigérateur ou déconnecter la source de courant électrique.
2. Déconnecter la bride du tube à l'arrière du produit et introduire le tube en cuivre dans la bride, comme indiqué.
3. Raccorder le tube de cuivre au robinet d'arrivée d'eau à l'aide d'un écrou et d'une bague de compression, comme illustré.
4. Serrer l'écrou de compression. Ne pas serrer excessivement. Réattacher la bride du tube et le tube à l'arrière de l'appareil.



A. Bride de tube  
B. Tube de cuivre  
C. Écrou à compression

5. Ouvrir le robinet d'arrêt. Vérifier qu'il n'y a pas de fuites. Serrer tous les raccords (y compris les raccords du robinet) ou les écrous qui présentent des fuites.
6. La machine à glaçons comporte un filtre à eau incorporé. Si les caractéristiques de l'eau requièrent un second filtre à eau, installer celui-ci dans la canalisation d'eau de 1/4 po (6,35 mm) à l'une ou l'autre des extrémités de la canalisation. Se procurer un filtre à eau auprès de votre revendeur d'appareils ménagers le plus proche.

## Terminer l'installation

### ⚠ AVERTISSEMENT



#### Risque de choc électrique

**Brancher sur une prise à 3 alvéoles reliée à la terre.**

**Ne pas enlever la broche de liaison à la terre.**

**Ne pas utiliser un adaptateur.**

**Ne pas utiliser un câble de rallonge.**

**Le non-respect de ces instructions peut causer un décès, un incendie ou un choc électrique.**

1. Brancher l'appareil sur une prise à 3 alvéoles reliée à la terre.  
**REMARQUE :** Prévoir un délai de 24 heures pour la production du premier lot de glaçons. Jeter les trois premiers lots de glaçons produits. Prévoir un délai de 3 jours pour le remplissage complet du récipient à glaçons.

## Portes du réfrigérateur

En fonction de la largeur de l'ouverture de la porte, il faudra peut-être retirer les portes pour pouvoir introduire le réfrigérateur dans le domicile. Les charnières de portes ont été installées à l'usine sur le côté droit de l'appareil. Si l'on souhaite que la porte puisse s'ouvrir depuis le côté opposé, le sens d'ouverture de la porte doit être inversé.

### IMPORTANT :

### ⚠ AVERTISSEMENT



#### Risque de choc électrique

**Déconnecter la source de courant électrique avant d'enlever les portes.**

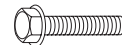
**Le non-respect de cette instruction peut causer un décès ou un choc électrique.**

- Avant de commencer, tourner la commande du réfrigérateur à Off (arrêt), débrancher le réfrigérateur ou déconnecter la source de courant électrique. Retirer les aliments et tous les bacs de la porte du réfrigérateur.
- Selon le modèle, le réfrigérateur comporte soit des portes-contour de **Style 1** ou des portes standard de **Style 2**. Consulter le schéma correspondant à votre modèle plus loin dans cette section après "Étapes finales".

**REMARQUE :** On peut acheter un ensemble d'inversion du sens d'ouverture qui comprend une nouvelle insigne de la marque ainsi que des bouchons d'obturation.

**Outils requis :** Clé à douille à tête hexagonale de 5/16 po, tournevis cruciforme no 2, tournevis à lame plate, clé plate de 5/16 po et couteau à mastic de 2 po

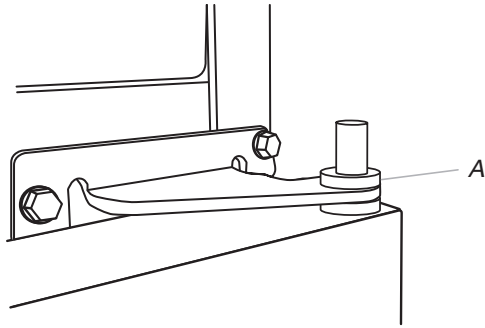
## Démontage des portes et charnières



Vis de charnière à tête hexagonale de 5/16 po

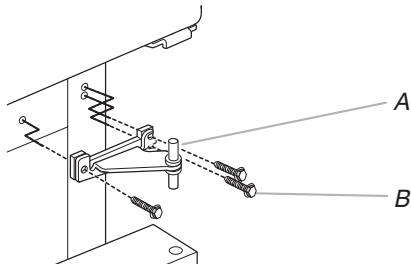
1. Débrancher le réfrigérateur ou déconnecter la source de courant électrique.
2. Utiliser une clé à douille hexagonale, retirer les trois vis de charnière à tête hexagonale de 5/16 po de la charnière supérieure et les soulever pour retirer la charnière. Voir l'illustration de la charnière supérieure.  
**REMARQUE :** Prévoir un support additionnel des portes pendant le changement de côté des charnières. La force d'attraction des aimants des portes ne suffit pas à les maintenir en place.
3. Soulever la porte du congélateur pour la séparer de la charnière centrale et la conserver à part.

4. Retirer la rondelle du sommet de l'axe de la charnière centrale.



A. Rondelle

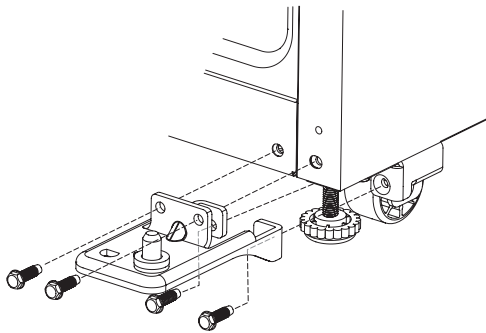
5. À l'aide d'une clé à douille à tête hexagonale et d'une clé plate, retirer les trois vis de la charnière centrale puis retirer la charnière. Mettre de côté.



A. Charnière centrale

B. Vis de charnière à tête hexagonale de 5/16 po

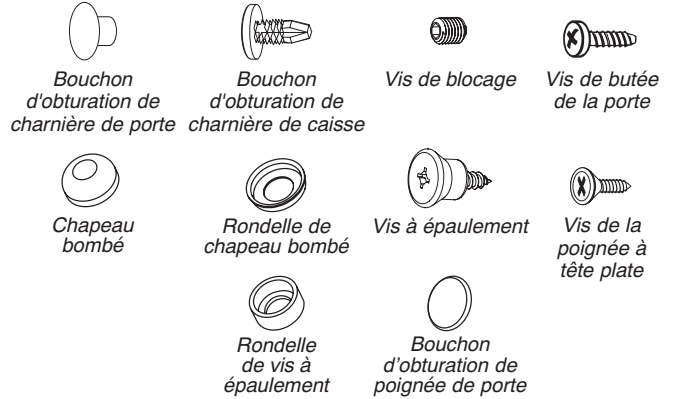
6. Retirer la rondelle du bas de l'axe de charnière centrale.  
 7. Soulever la porte du réfrigérateur de la charnière inférieure et mettre de côté.  
 8. À l'aide d'une clé à douille à tête hexagonale, retirer les quatre vis de charnière à tête hexagonale de 5/16 po de la charnière inférieure et dégager la charnière du bas de la porte du réfrigérateur.



## Inversion du sens d'ouverture des portes et d'installation des charnières (facultatif)

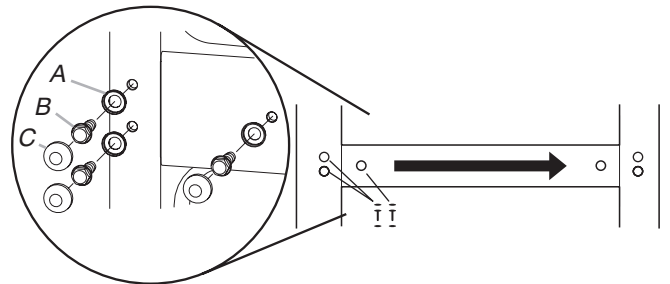
**IMPORTANT :** Si on souhaite inverser la position des portes pour pouvoir les ouvrir dans la direction opposée, procéder comme suit. Si vous ne souhaitez pas inverser le sens d'ouverture des portes, voir la section "Réinstallation des portes et des charnières".

Voir les illustrations complètes plus loin dans les présentes instructions.



## Inversion du sens d'installation de la charnière centrale

1. Retirer les trois chapeaux bombés et les vis du côté de la poignée et les placer dans les trous laissés lors du retrait des vis de charnières.



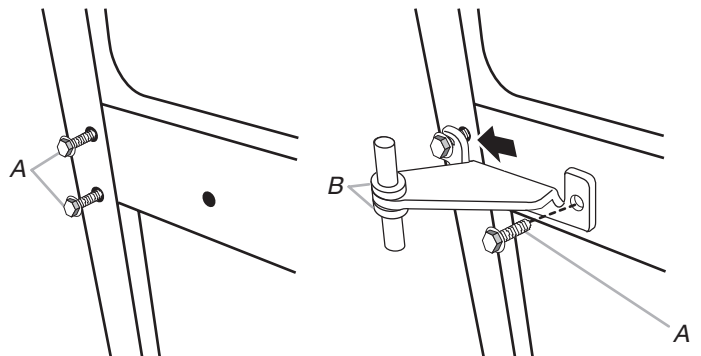
A. Rondelles de chapeaux bombés

B. Vis de charnière à tête hexagonale

C. Chapeaux bombés

2. À l'aide des trois vis de charnière à tête hexagonale de 5/16 po retirées à l'étape 1, insérer deux vis à moitié dans les trous en laissant suffisamment d'espace pour insérer la charnière centrale.  
 3. Une fois la porte du réfrigérateur en place, faire glisser la charnière centrale de la droite sur les vis, insérer la troisième vis et serrer complètement toutes les vis.

**REMARQUE :** S'assurer que les rondelles sont bien installées sur les axes supérieurs et inférieurs de la charnière centrale.



A. Vis de charnière à tête hexagonale de 5/16 po

B. Rondelles

## Inversion du sens d'ouverture de la porte du congélateur

1. Enlever les trois bouchons d'obturation du sommet de la caisse et les placer dans les trous de charnière du côté opposé.



A. Bouchons de protection des trous de la caisse

2. Enlever les poignées de porte. Voir les illustrations spécifiques à chaque modèle plus loin dans les présentes instructions.

### Poignées de porte installées avec des vis à tête plate et des vis d'ajustement :

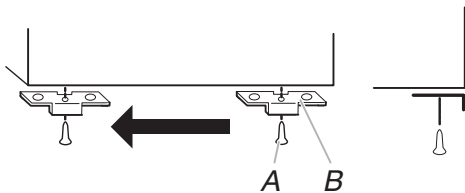
- Retirer les deux vis de poignée à tête plate du bas de la poignée de porte du congélateur.
- Desserrer la vis de blocage fixant le sommet de la poignée à l'aide d'une clé hexagonale de 1/8 po.
- Tirer sur la poignée pour la dégager de la vis à épaulement. Conserver toutes les pièces ensemble.

### Poignées de porte installées avec des vis à tête plate uniquement :

- Retirer le couvre-vis et les trois vis de poignée à tête plate. Conserver toutes les pièces ensemble.
3. À l'aide de l'outil en plastique (fourni), retirer l'insigne de la marque de la porte du congélateur en soulevant le côté droit et en décollant lentement l'insigne de la porte, dégagant ainsi le trou pour monter la poignée de porte.

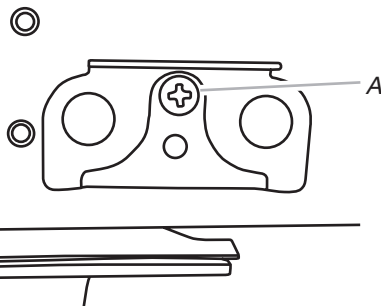
### REMARQUES :

- Afin d'éviter d'érafler la porte, ne pas utiliser d'objet pointu ou métallique pour arracher l'insigne de la marque de la porte.
  - Frotter une petite quantité de savon liquide à vaisselle sur les résidus d'adhésif avec les doigts. Rincer la porte à l'eau tiède et sécher avec un chiffon doux.
4. En fonction du modèle, retirer la vis à épaulement et sa rondelle situées du côté gauche de la porte et la visser dans le trou situé derrière l'insigne.
  5. Retirer la butée de porte du bas de la porte du congélateur.



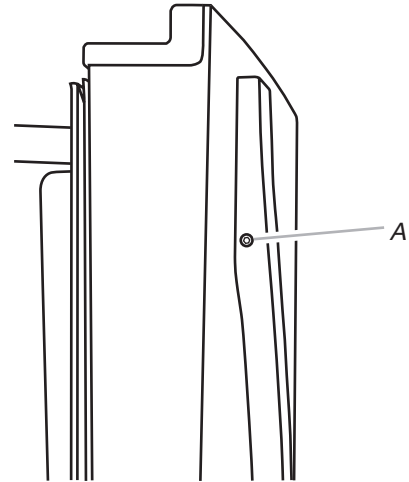
A. Vis de butée de porte  
B. Butée de porte

6. Placer la butée de porte du côté opposé en s'assurant que le trou de la plaque de butée de porte est parfaitement aligné avec le trou destiné à l'axe de charnière centrale.
7. À l'aide de la vis retirée précédemment, fixer la butée de porte au bas de la porte du congélateur.



A. Vis de butée de porte

8. En fonction du modèle, placer la poignée sur la vis à épaulement et pousser la poignée vers la porte jusqu'à ce que la base de montage soit en affleurement avec la porte.

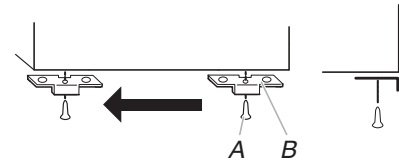


A. Vis d'ajustement

9. Fixer le bas de la poignée au bas de la porte du congélateur.
10. Serrer toutes les vis. Conserver la porte du congélateur à part jusqu'à la mise en place des charnières et de la porte du réfrigérateur.

## Inversion du sens d'ouverture de la porte du réfrigérateur

1. Retirer la butée de porte du bas de la porte du réfrigérateur.



A. Vis de butée de porte  
B. Butée de porte

2. Réinstaller la butée de porte du côté opposé de la porte du réfrigérateur en s'assurant que le trou de la plaque de butée de porte est parfaitement aligné avec le trou destiné à l'axe de charnière inférieure.
3. Fixer la butée de porte à la porte.
4. Enlever les poignées de porte. Voir les illustrations spécifiques à chaque modèle plus loin dans les présentes instructions.

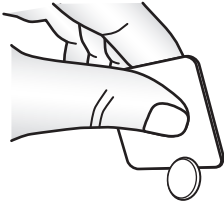
### Poignées de porte installées avec des vis à tête plate et des vis d'ajustement :

- Retirer les vis du sommet de la poignée de porte du réfrigérateur.
- Retirer la vis d'ajustement de la partie basse de la poignée.
- Tirer sur la poignée pour la dégager de la vis à épaulement. Conserver toutes les pièces ensemble.

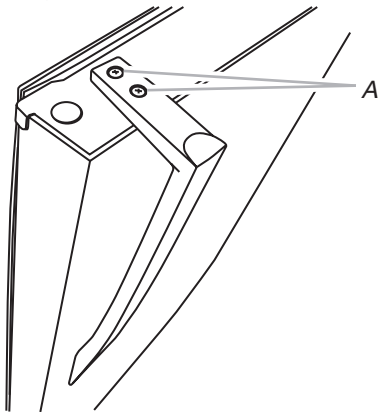
### Poignées de porte installées avec des vis à tête plate uniquement :

- Retirer le couvre-vis et les trois vis de poignée à tête plate. Conserver toutes les pièces ensemble.

- Retirer le chapeau recouvrant le trou du côté opposé de la porte, là où la poignée de la porte du réfrigérateur doit être installée, et jeter le chapeau.

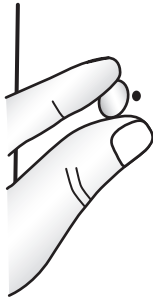


- En fonction du modèle, retirer la vis à épaulement et sa rondelle situées du côté gauche de la porte et la visser dans le trou situé derrière le chapeau.
- En fonction du modèle, placer la poignée sur la vis à épaulement et pousser la poignée vers la porte jusqu'à ce que la base de montage soit en affleurement avec la porte.
- Fixer le sommet de la poignée du réfrigérateur au sommet de la porte du congélateur.



A. Vis de poignée à tête plate

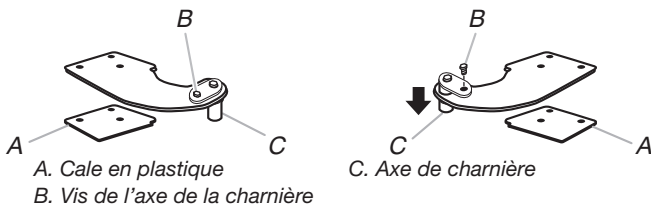
- Recouvrir le trou restant avec le chapeau (fourni).



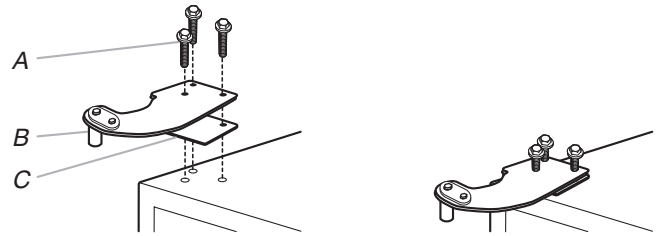
- Enlever le bouchon d'obturation du trou de charnière de la porte du réfrigérateur. Le transférer du côté opposé.
- Serrer toutes les vis. Mettre la porte du réfrigérateur de côté jusqu'à ce que la charnière inférieure soit installée sur le côté opposé du réfrigérateur.

#### Inversion du sens d'installation de la charnière supérieure – Modèles avec porte-contour uniquement

- Ôter la vis fixant l'axe de charnière à la charnière. Retourner la charnière de façon à ce qu'elle soit orientée dans la direction opposée.
- Placer la cale en plastique sous la charnière de façon à ce qu'elle se trouve entre la charnière et la caisse, tout en s'assurant que les trous sont bien alignés.



- Fixer la charnière supérieure sur le côté opposé de la caisse en insérant les vis jusqu'à la moitié seulement, de façon à pouvoir réinstaller et aligner la porte du congélateur plus tard.



A. Vis de charnière à tête hexagonale de 5/16 po

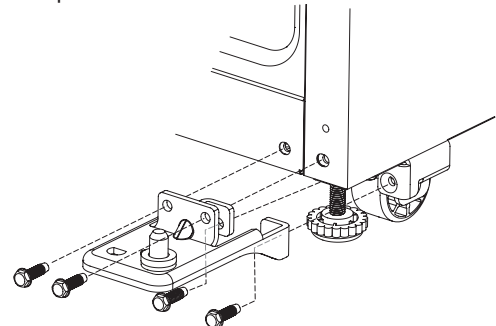
B. Axe de charnière supérieure  
C. Cale en plastique

#### Réinstallation des portes et charnières

**IMPORTANT :** Prévoir un support additionnel des portes pendant le changement de côté des charnières. La force d'attraction des aimants des portes ne suffit pas à les maintenir en place.

#### Installation de la porte du réfrigérateur

- Insérer l'axe de la charnière dans la charnière inférieure de la porte du réfrigérateur et fixer la charnière à la caisse. Ne pas serrer complètement.



A. Charnière inférieure

- Placer la rondelle au sommet de l'axe de la charnière inférieure.
- Placer la porte du réfrigérateur sur l'axe de la charnière inférieure.
- Mesurer la distance entre le bas de la porte du réfrigérateur et le plancher. Cette distance doit être d'environ 1 4/5 po (4,6 cm).  
**REMARQUE :** Si nécessaire, desserrer la charnière inférieure sans retirer les vis, ajuster la hauteur de la porte et serrer complètement les vis.

#### Installation de la porte du congélateur

- Placer la rondelle sur l'axe supérieur de la charnière centrale.
- Placer la porte du congélateur sur l'axe supérieur de la charnière centrale.
- Insérer l'axe de la charnière supérieure dans le trou percé au sommet de la porte du congélateur. Ne pas complètement serrer les vis.
- Aligner les portes de façon à ce que le bas de la porte du congélateur soit parfaitement aligné avec le sommet de la porte du réfrigérateur. Serrer toutes les vis.  
**REMARQUE :** La distance entre les portes doit être d'environ 3/4 po (19 mm).

#### Étapes finales

- Brancher le réfrigérateur ou reconnecter la source de courant électrique.
- Réinitialiser les commandes. Voir la section "Utilisation des commandes".
- Réinstaller l'ensemble des pièces amovibles dans les portes et les aliments dans le réfrigérateur.



# ⚠ AVERTISSEMENT

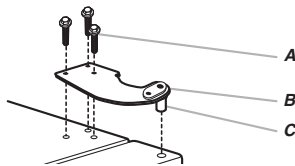
Risque de choc électrique

Déconnecter la source de courant électrique avant d'enlever les portes.

Le non-respect de cette instruction peut causer un décès ou un choc électrique.

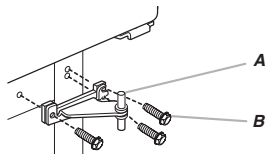
## Retrait et réinstallation de la porte

### Charnière supérieure



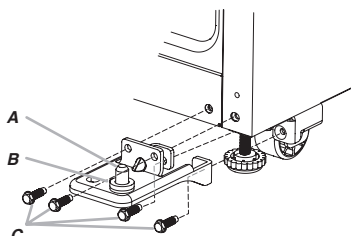
- A. Vis de charnière à tête hexagonale de 5/16 po
- B. Charnière supérieure
- C. Axe de charnière

### Charnière centrale



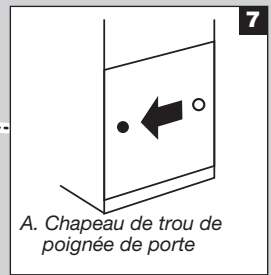
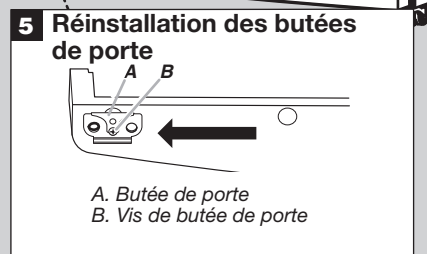
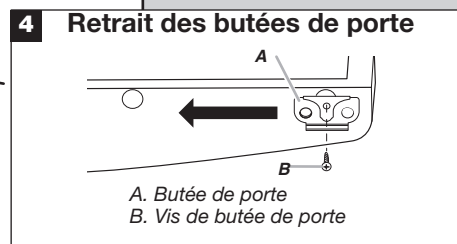
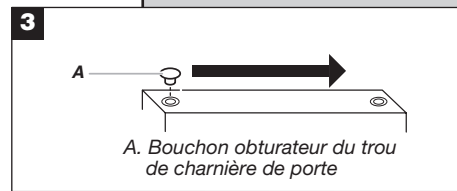
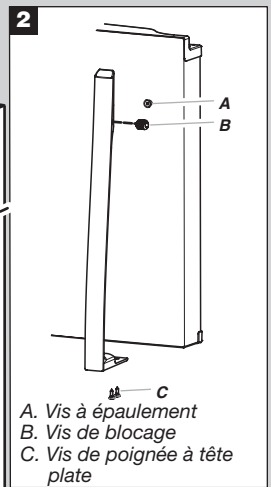
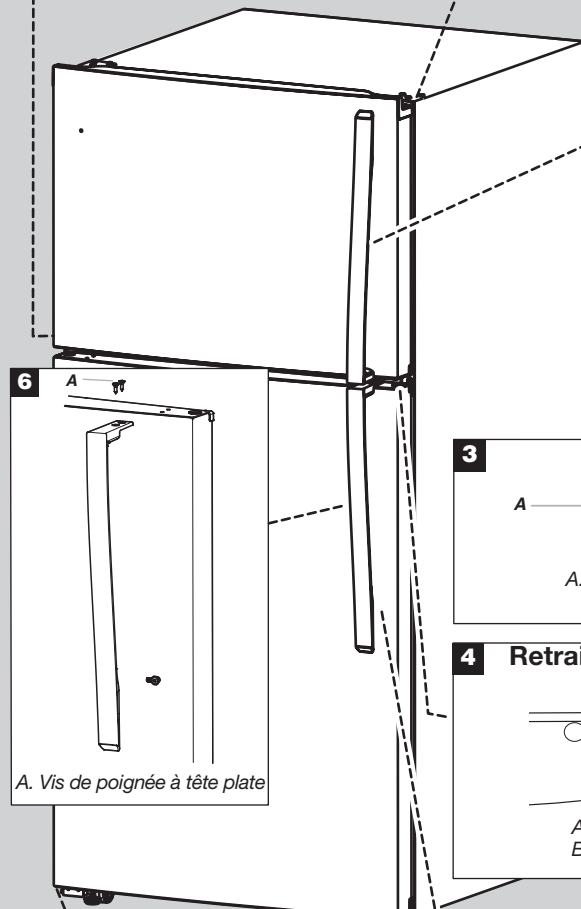
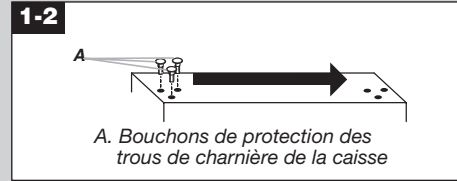
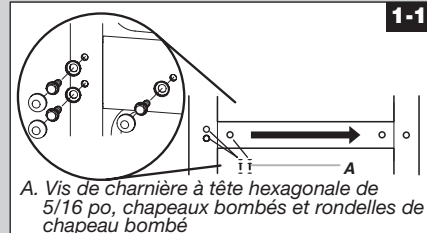
- A. Charnière centrale
- B. Vis de charnière à tête hexagonale de 5/16 po

### Charnière inférieure



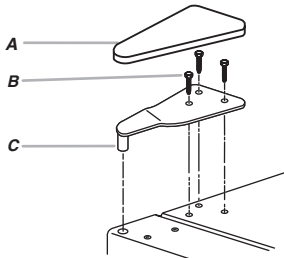
- A. Charnière inférieure
- B. Rondelle
- C. Vis de charnière à tête hexagonale de 5/16 po

## Inversion du sens d'ouverture de la porte (facultatif)



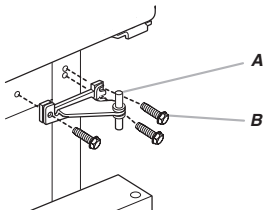
### Retrait et réinstallation de la porte

#### Charnière supérieure



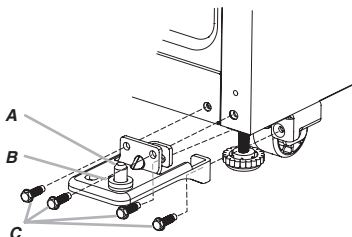
- A. Couverture de charnière supérieure
- B. Vis de charnière à tête hexagonale de 5/16 po
- C. Charnière supérieure

#### Charnière centrale



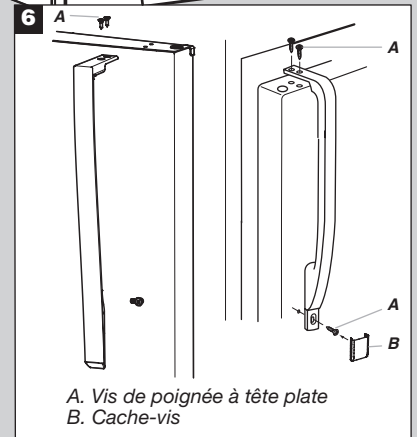
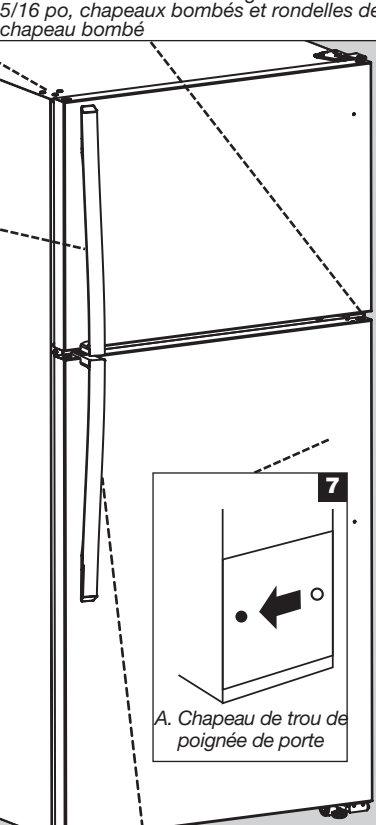
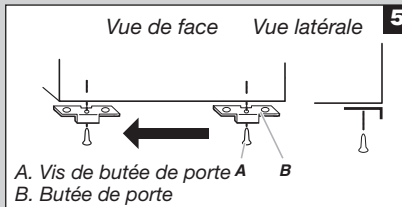
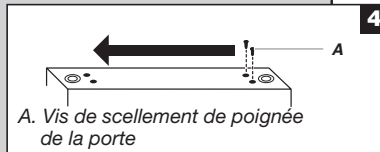
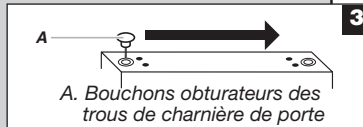
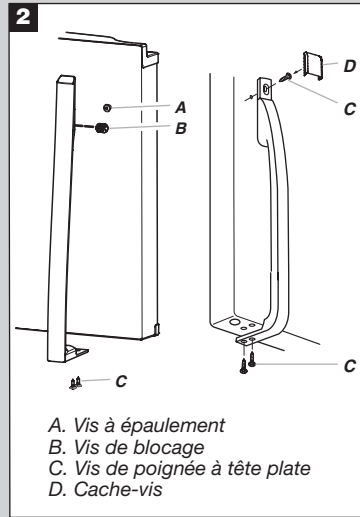
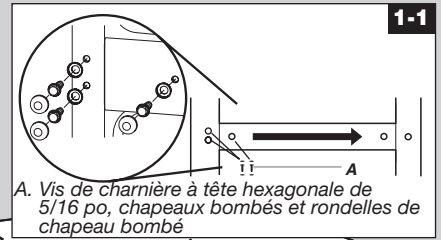
- A. Charnière centrale
- B. Vis de charnière à tête hexagonale de 5/16 po

#### Charnière inférieure



- A. Charnière inférieure
- B. Rondelle
- C. Vis de charnière à tête hexagonale de 5/16 po

### Inversion du sens d'ouverture de la porte (facultatif)



## Instructions pour l'ensemble d'inversion du sens d'ouverture

Si votre modèle vous a été fourni avec un ensemble d'inversion du sens d'ouverture de la porte, utiliser le gabarit de positionnement de l'insigne de la marque et les instructions suivantes pour installer l'insigne de la marque du côté opposé de la porte du congélateur.

### Pièces fournies :

Outil de retrait de l'insigne de la marque

Gabarit de l'insigne de la marque (sur la dernière page des instructions d'utilisation)

Chapeau de trou de poignée de porte

### Outils requis :

Ciseaux

Ruban adhésif de masquage

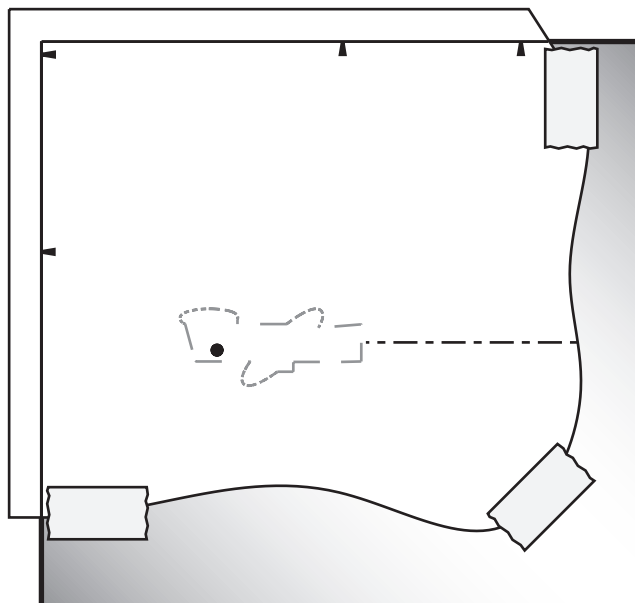
### Porte du congélateur

1. À l'aide de l'outil de retrait (fourni), retirer l'insigne de la marque de la porte du congélateur en soulevant le côté droit et en décollant l'insigne de la porte, de droite à gauche.

**REMARQUE :** Afin d'éviter d'érafler la porte, ne pas utiliser d'objet pointu ou métallique pour arracher l'insigne de la marque de la porte.

2. Frotter une petite quantité de savon liquide à vaisselle sur les résidus d'adhésif avec les doigts. Rincer la porte à l'eau tiède et sécher avec un chiffon doux.
3. Couper le gabarit le long des pointillés qui correspondent à la forme de l'insigne de la marque.
4. Aligner les bords du gabarit avec les parties latérale et supérieure de la porte du congélateur et fixer le gabarit sur la porte à l'aide de ruban adhésif.

**REMARQUE :** Une fois le gabarit correctement aligné, le trou dans la porte, à l'emplacement de la poignée, se trouvera dans l'ouverture découpée du gabarit, comme illustré.



5. En utilisant cette ouverture comme guide, appuyer l'insigne de la marque sur la porte du congélateur, en veillant à ce que le trou soit entièrement recouvert.
6. Retirer lentement le gabarit.

## Ajustement des portes

**IMPORTANT :** Ce réfrigérateur est conforme avec les directives du American Disabilities Act (ADA).

### Fermeture de la porte

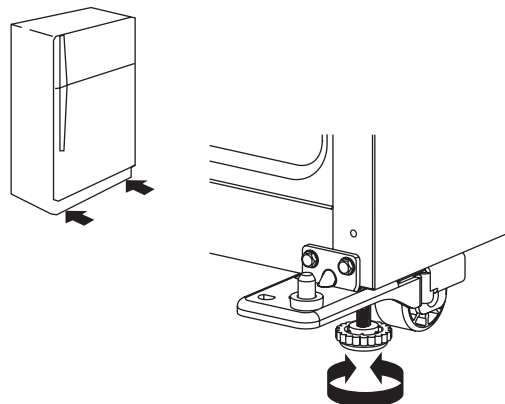
Votre réfrigérateur comporte deux roulettes de nivellement ajustables à l'avant, l'une à droite et l'autre à gauche. Pour éviter tout risque causé par une installation instable, si le réfrigérateur semble instable ou pour faciliter la fermeture des portes, ajuster l'inclinaison du réfrigérateur en suivant les instructions suivantes :

1. Tourner le système de nivellement pour soulever ou abaisser ce côté du réfrigérateur.

Plusieurs tours peuvent être nécessaires pour ajuster l'inclinaison du réfrigérateur.

- Pour soulever, tourner le système de nivellement vers la droite.
- Pour abaisser, tourner le système de nivellement vers la gauche.

**REMARQUE :** Pour diminuer le poids appliqué au système de nivellement et aux roulettes, et faciliter ainsi l'ajustement de l'appareil, une personne peut pousser contre le sommet du réfrigérateur.



2. Ouvrir à nouveau les deux portes et vérifier que leur fermeture est aussi aisée que vous le souhaitez. Si ce n'est pas le cas, incliner le réfrigérateur un peu plus vers l'arrière en tournant les deux pieds de nivellement vers la gauche. Plusieurs tours seront peut-être nécessaires.

**REMARQUE :** Pour que le réfrigérateur soit d'aplomb, il faut appliquer le même nombre de tours aux deux pieds de nivellement.

3. À l'aide d'un niveau, s'assurer que le réfrigérateur est encore d'aplomb dans le sens transversal. Le réajuster au besoin.

### Alignement de la porte

Si l'espace entre les portes semble inégal, on peut l'ajuster en suivant les instructions suivantes :

1. En fonction de votre modèle, retirer le couvre-charnière de la charnière supérieure.
2. Desserrer les vis de la charnière supérieure à l'aide d'une douille de 5/16 po ou d'une clé à molette.
3. Demander à une personne de tenir la porte en place ou placer une cale entre les portes pendant que l'on serre les vis de la charnière supérieure.
4. Remplacer le couvre-charnière supérieur s'il a été retiré à l'étape 1.



# UTILISATION DU RÉFRIGÉRATEUR

## Utilisation des commandes

Votre réfrigérateur possède deux commandes affectant la température.

La commande de température se trouve sur la partie avant supérieure du compartiment du réfrigérateur, et la commande de circulation d'air se trouve sur la paroi arrière du compartiment du congélateur.

### IMPORTANT :

- Le réglage recommandé doit être correct pour une utilisation domestique normale du réfrigérateur. Les réglages sont faits correctement lorsque le lait ou le jus sont aussi froids que désiré et lorsque la crème glacée est ferme.
  - Attendre 24 heures pour que le réfrigérateur refroidisse complètement avant d'y placer des aliments. Si on ajoute des aliments avant que le réfrigérateur ne soit complètement refroidi, les aliments risquent de se gaspiller.
- REMARQUE :** Le fait de placer les commandes de température du réfrigérateur et du congélateur à un réglage plus froid que le réglage recommandé ne refroidira pas les compartiments plus rapidement.
- Si la température est trop tiède ou trop froide dans le réfrigérateur ou le congélateur, vérifier d'abord les événements pour s'assurer qu'ils ne sont pas bloqués, avant de régler les commandes.

### Commande de la température

Pour votre commodité, la commande de température est pré-réglée à l'usine. Lors de la première installation du réfrigérateur, s'assurer que la commande se trouve toujours au réglage pré-réglé illustré.

#### Réglage recommandé



### Refroidissement Marche/Arrêt

- Pour désactiver le refroidissement, appuyer pendant 4 secondes sur le bouton de réglage jusqu'à ce que tous les témoins lumineux s'allument pendant 1 seconde. Pour réactiver le refroidissement, appuyer de nouveau sur le bouton de réglage pendant 4 secondes.

**REMARQUE :** Aucun compartiment ne se refroidira lorsque la commande est réglée à OFF (arrêt).



### Réglage de la commande de température

S'il est nécessaire de modifier la température dans le compartiment de réfrigération ou de congélation, utiliser les réglages indiqués dans le tableau ci-dessous comme guide.

**REMARQUE :** Ne pas régler les commandes de plus d'un réglage à la fois, sauf lors de la mise en marche du réfrigérateur. Attendre 24 heures entre chaque réglage pour que la température puisse se stabiliser.

- Appuyer sur le bouton SETTING (réglage) pour régler la température parmi les quatre témoins DEL indiquant le réglage de température. En allant de gauche à droite, la DEL en première position correspond au réglage le moins froid. À mesure que l'on progresse vers la droite, les DEL correspondent à des réglages de plus en plus froids – la température la plus froide est atteinte lorsque les quatre DEL sont allumées.

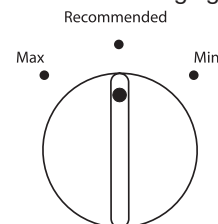
#### CONDITION/RAISON : RÉGLAGE :

RÉFRIGÉRATEUR trop tiède	Commande de TEMPÉRATURE à un degré plus haut
CONGÉLATEUR trop tiède/trop peu de glaçons	Régler la commande de TEMPÉRATURE ou de CIRCULATION D'AIR à un degré plus haut
RÉFRIGÉRATEUR trop froid	Commande de TEMPÉRATURE un degré plus bas
CONGÉLATEUR trop froid	Régler la commande de TEMPÉRATURE ou de CIRCULATION D'AIR à un degré plus bas

### Contrôle de la circulation d'air

La commande de circulation d'air règle la quantité d'air circulant entre les compartiments du congélateur et du réfrigérateur.

Lorsque le réfrigérateur est branché pour la première fois, placer la commande de circulation d'air au réglage recommandé.



### Régler la commande de circulation d'air

Si une augmentation temporaire de la circulation d'air froid dans un compartiment particulier est souhaitée, régler la commande.

- Max. – Augmente la circulation d'air dans le congélateur.
- Min. – Augmente la circulation d'air dans le réfrigérateur.

**IMPORTANT :** Une fois le rendement obtenu, replacer la commande de circulation d'air au réglage recommandé afin que le réfrigérateur continue de fonctionner avec le maximum d'efficacité.

#### CONDITION/RAISON : RÉGLAGE :

Forte consommation de glace	Max.
Température ambiante élevée de la pièce	Max – Pour conserver le débit de production de fabrication de la glace
Grande quantité d'aliments	Min – Pour refroidir rapidement les aliments et les boissons

# CARACTÉRISTIQUES DU RÉFRIGÉRATEUR

Votre modèle peut comporter toutes les caractéristiques suivantes ou seulement certaines d'entre elles.

## Importants renseignements à savoir au sujet des tablettes et des couvercles en verre :

Ne pas nettoyer les tablettes ou couvercles en verre avec de l'eau tiède quand ils sont froids. Les tablettes et les couvercles peuvent se briser s'ils sont exposés à des changements soudains de température ou à un impact tel que coup brusque. Le verre trempé est conçu pour éclater en d'innombrables pièces minuscules. Ceci est normal. Les tablettes et les couvercles en verre sont lourds. Les saisir à deux mains lors de leur dépose afin d'éviter de les faire tomber.

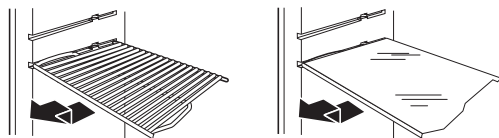
## Tablettes du réfrigérateur

Les tablettes de réfrigérateur sont ajustables pour s'adapter aux besoins de rangement de l'utilisateur.

Afin de pouvoir trouver plus facilement l'article recherché, on peut remiser ensemble des aliments semblables dans le réfrigérateur et ajuster les tablettes pour les adapter aux différentes tailles d'articles. Ceci réduira également la durée d'ouverture de la porte du réfrigérateur et permettra d'économiser de l'énergie.

### Enlever et réinstaller une tablette :

1. Retirer les articles de la tablette.
2. Retirer la tablette en la faisant glisser tout droit jusqu'à la butée.
3. Selon le modèle, soulever l'arrière ou l'avant de la tablette et la retirer au-delà de la butée. Retirer complètement la tablette en la faisant glisser entièrement hors des supports.
4. Réinstaller la tablette en la réinsérant de nouveau dans la rainure de la paroi de la caisse.
5. Guider l'avant de la tablette dans la rainure de tablette. Veiller à insérer complètement la tablette.



## Bac pour spécialités alimentaires

La conception du tiroir pour spécialités alimentaires permet d'en changer facilement la position.

### Bac pour spécialités alimentaires

#### Repositionnement du tiroir pour spécialités alimentaires :

1. Retirer le tiroir pour spécialités alimentaires.
2. Retirer le couvercle et le placer entre les croisillons désirés.
3. Fixer les pattes de fixation arrière sur la tablette.
4. Réinstaller le tiroir pour spécialités alimentaires.

#### Retrait et réinstallation du tiroir pour spécialités alimentaires :

1. Retirer le tiroir pour spécialités alimentaires en le faisant glisser vers l'extérieur jusqu'à la butée.
2. Soulever l'avant du tiroir pour spécialités alimentaires d'une main tout en soutenant la partie inférieure du tiroir de l'autre main. Faire glisser le tiroir complètement vers l'extérieur.
3. Réinstaller le tiroir en le réinsérant complètement au-delà de la butée.

## Couvercle du tiroir pour spécialités alimentaires

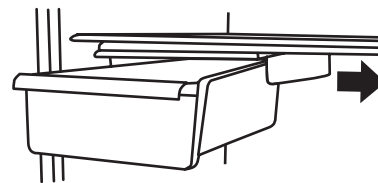
### Retrait et réinstallation du tiroir pour spécialités alimentaires : Style 1 – Clayettes

1. Retirer le tiroir pour spécialités alimentaires.
2. Repousser le couvercle vers l'arrière pour libérer les pattes de fixation arrière de la clayette. Soulever l'avant du couvercle et le tirer vers l'avant.
3. Réinstaller le couvercle du tiroir pour spécialités alimentaires en plaçant les encoches et les attaches du couvercle sur les croisillons centraux et arrière de la clayette.
4. Réinstaller le tiroir pour spécialités alimentaires.

### Style 2 – Tablettes en verre

1. Retirer le tiroir pour spécialités alimentaires.
2. Retirer les articles de la tablette.
3. Retirer la tablette en la faisant glisser tout droit jusqu'à la butée.
4. Faire glisser le couvercle du tiroir pour spécialités alimentaires d'un côté jusqu'à ce qu'il se dégage.
5. Insérer le couvercle dans les rainures de tablette.
6. Repositionner la tablette dans le réfrigérateur puis réinstaller le tiroir pour spécialités alimentaires.

**REMARQUE :** Le tiroir à spécialités alimentaires glisse latéralement sur la tablette pour pouvoir en changer facilement la position.



## Guide d'entreposage des viandes

Garder la plus grande partie des viandes dans leur emballage d'origine pourvu qu'il soit hermétique et à l'épreuve de l'humidité. Emballer de nouveau si nécessaire. Voir le tableau suivant pour les durées d'entreposage. Lorsque la viande doit être entreposée plus longtemps que les durées indiquées, congeler la viande.

Poisson frais ou crustacés.....à consommer le jour même de l'achat.

Poulet, bœuf haché, abats comestibles (foie)..... 1-2 jours

Charcuteries, steaks/rôtis..... 3-5 jours

Viandes salaisonées.....7-10 jours

Restes – Couvrir les restes avec une pellicule en plastique ou du papier d'aluminium ou utiliser des contenants en plastique avec couvercles hermétiques.

## Tiroir à légumes

### Bacs à légumes

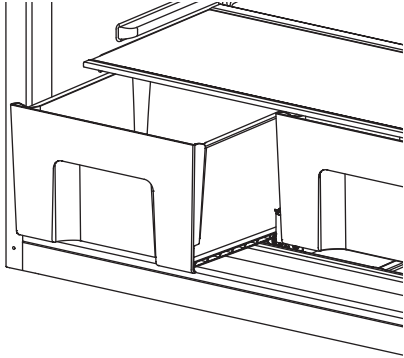
#### Retrait et réinstallation du bac à légumes :

1. Extraire le bac à légumes en le faisant glisser vers l'extérieur jusqu'à la butée. Soulever le devant et faire glisser le bac vers l'extérieur pour le retirer complètement.
2. Réinstaller le bac en le faisant glisser complètement à sa position au-delà de la butée.

## Couvercle du bac à légumes

### Dépose et réinstallation du couvercle du bac à légumes :

1. Retirer le/les bac(s) à légumes.
2. Tirer sur le couvercle en verre tout droit vers l'extérieur.
3. Réinstaller le couvercle en verre en le réinsérant.



## Réglage de l'humidité dans le tiroir à légumes

Le degré d'humidité dans le tiroir à légumes étanche peut être contrôlé. La commande peut être placée à n'importe quel réglage entre LOW (faible) et HIGH (élevée).

En position LOW (faible) (ouvert), le réglage laisse échapper l'air humide du bac à légumes pour mieux conserver les fruits et légumes à pelures.

- Fruits : Laver, laisser sécher et garder au réfrigérateur dans un sac en plastique ou dans le tiroir à légumes. Ne pas laver ni équeuter les baies avant le moment de leur utilisation. Répartir et garder les baies dans leur contenant original dans le tiroir à légumes ou les conserver sur une tablette du réfrigérateur dans un sac en papier fermé sans être serré.
- Légumes à pelure : Placer dans un sac ou un contenant en plastique et ranger dans le bac à légumes.

En position HIGH (élevée) (fermé), le réglage permet de retenir l'humidité à l'intérieur du bac pour mieux conserver les légumes à feuilles frais.

- Légumes à feuilles : Laver à l'eau froide, égoutter et couper ou éliminer les sections endommagées et décolorées. Placer dans un sac ou un contenant en plastique et ranger dans le bac à légumes.

## CARACTÉRISTIQUES DU CONGÉLATEUR

Votre modèle peut comporter toutes les caractéristiques suivantes ou seulement certaines d'entre elles.

### Importants renseignements à savoir au sujet des tablettes et des couvercles en verre :

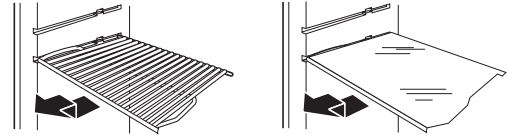
Ne pas nettoyer les tablettes ou couvercles en verre avec de l'eau tiède quand ils sont froids. Les tablettes et les couvercles peuvent se briser s'ils sont exposés à des changements soudains de température ou à un impact tel que coup brusque. Le verre trempé est conçu pour éclater en d'innombrables pièces minuscules. Ceci est normal. Les tablettes et les couvercles en verre sont lourds. Les saisir à deux mains lors de leur dépose afin d'éviter de les faire tomber.

## Tablette de congélateur

Selon le modèle, il peut s'agir d'une clayette ou d'une tablette en verre.

### Enlever et réinstaller une tablette :

1. Retirer les articles de la tablette.
2. Retirer la tablette en la faisant glisser tout droit jusqu'à la butée.
3. Selon le modèle, soulever l'arrière ou l'avant de la tablette et la retirer au-delà de la butée. Retirer complètement la tablette en la faisant glisser entièrement hors des supports.
4. Réinstaller la tablette en la réinsérant de nouveau dans la rainure de la paroi de la caisse.
5. Guider l'avant de la tablette dans la rainure de tablette. Veiller à insérer complètement la tablette.



## Guide de stockage des aliments surgelés

Les périodes de conservation varient selon la qualité et le type d'aliment, le type d'emballage et de pellicule utilisés (doivent être hermétiques et résistants à l'humidité) et la température de remisage. Bien fermer le sachet ou le récipient pour empêcher le transfert de goût et d'odeur dans le produit. Les cristaux de glace à l'intérieur d'un emballage scellé sont normaux. La présence de cristaux signifie simplement que l'humidité dans les aliments et l'air à l'intérieur de l'emballage se sont condensés.

Ne pas placer plus d'aliments non congelés dans le congélateur que la quantité qui congèlera dans l'intervalle de 24 heures (pas plus de 2 à 3 lb d'aliments par pied cube d'espace [907 à 1 350 g par L] dans le congélateur). Laisser assez d'espace dans le congélateur pour permettre la circulation d'air entre les emballages. S'assurer que la porte du congélateur est bien fermée.

**REMARQUE :** Pour plus de renseignements au sujet de la préparation des aliments pour la congélation, consulter un guide pour congélateur ou un livre de recettes fiable.

## CARACTÉRISTIQUES DE LA PORTE

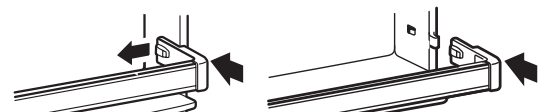
Votre modèle peut comporter toutes les caractéristiques suivantes ou seulement certaines d'entre elles.

### Tringles dans la porte

Les tringles dans la porte peuvent être enlevées pour faciliter le nettoyage.

### Retirer et réinstaller les tringles :

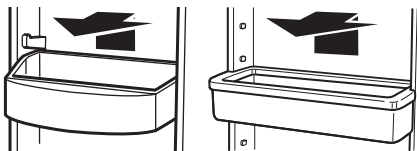
1. Selon le modèle, retirer les tringles en appuyant légèrement sur l'avant du support tout en tirant sur la languette intérieure. Répéter ces étapes pour l'autre extrémité.
2. Réinstaller les tringles en alignant les extrémités des supports avec les attaches de chaque côté de la paroi de la porte. Enclencher fermement le support et l'ensemble sur les pattes situées au-dessus de la tablette comme indiqué.



## Balconnets de porte

### Enlever et réinstaller les balconnets :

1. Retirer le balconnet en le soulevant et en le tirant tout droit.
2. Réinstaller le balconnet en le faisant glisser au-dessus du support désiré et en l'enfonçant jusqu'à la butée.

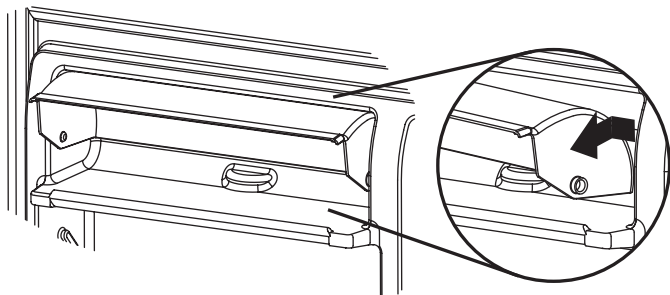


## Compartiment utilitaire

Le comportement utilitaire peut être enlevé pour faciliter le nettoyage.

### Retrait et réinstallation du compartiment utilitaire :

1. Retirer le compartiment utilitaire en pressant l'un des côtés tout en soulevant le compartiment utilitaire et en le tirant tout droit pour le dégager.
2. Réinstaller le compartiment utilitaire en plaçant un côté dans le mécanisme de verrouillage et en faisant coulisser l'autre côté en place jusqu'à la butée.



## Machine à glaçons

**IMPORTANT :** Pour les modèles comportant un filtre à eau, après avoir raccordé le réfrigérateur à l'alimentation en eau ou avoir remplacé le filtre à eau, remplir et jeter trois récipients entiers de glaçons afin que le filtre à eau soit prêt pour utilisation.

Pour les produits sans pièces du circuit de distribution de glaçons, la machine à glaçons et les pièces du circuit d'eau ne peuvent être installées par le fabricant ou un de ses agents de service.

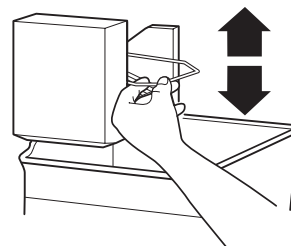
Pour les produits à connexion facile (machine à glaçons prête), la machine à glaçons peut facilement être installée par l'utilisateur en suivant les instructions fournies avec la trousse. La section "Accessoires" de ce manuel indique le numéro de pièce de la machine à glaçons à commander.

### Mise en marche/arrêt de la machine à glaçons

Pour mettre la machine à glaçons en marche, il suffit d'abaisser le bras de commande en broche.

Pour éteindre manuellement la machine à glaçons, soulever le bras de commande à d'arrêt métallique à la position Off (arrêt/position haute) et attendre l'émission d'un clic.

**REMARQUE :** La machine à glaçons comporte un système d'arrêt automatique. Au fur et à mesure de la fabrication de la glace, les glaçons remplissent le bac d'entreposage de glaçons. Les glaçons soulèvent le bras de commande en broche à la position Off (élevée). Ne pas forcer le commutateur du bras en broche vers le haut ou vers le bas.



### Bac à glaçons

1. Nettoyer le bac à glaçons au savon doux et à l'eau tiède.
2. Insérer le bac à glaçons sous la machine à glaçons et le pousser aussi loin que possible.
3. Abaisser le levier de commande de la machine à glaçons et le placer en position de marche.

**REMARQUE :** Il faut généralement attendre environ 24 heures pour que la machine à glaçons commence à produire des glaçons. Les glaçons auront peut-être un goût désagréable. Le cas échéant, jeter les trois premiers lots de glaçons produits. Les glaçons suivants devraient avoir un goût normal.

### Taux de production des glaçons

- La machine à glaçons devrait produire approximativement 8 à 12 lots de glaçons au cours d'une période de 24 heures. Prévoir un délai de 3 jours pour le remplissage complet du récipient à glaçons.
- Pour augmenter la production de glaçons, diminuer la température du congélateur et du réfrigérateur. Voir la section "Utilisation des commandes". Attendre 24 heures entre les réglages.

### Ne pas oublier

- La qualité des glaçons dépend de la qualité de l'eau fournie à la machine à glaçons. Éviter de connecter la machine à glaçons à une alimentation en eau adoucie. Les produits chimiques adoucisseurs d'eau (comme le sel) peuvent endommager certaines pièces de la machine à glaçons et entraîner une mauvaise qualité de glaçons. Si l'alimentation en eau adoucie ne peut être évitée, s'assurer que l'adoucisseur d'eau fonctionne bien et qu'il est bien entretenu.
- Ne pas utiliser d'objet pointu pour briser les glaçons dans le bac. Ceci peut endommager le bac d'entreposage et le mécanisme du distributeur.
- Ne pas garder quoi que ce soit sur le dessus ou à l'intérieur de la machine à glaçons ou du bac d'entreposage.

# ENTRETIEN DU RÉFRIGÉRATEUR

## Nettoyage

### **AVERTISSEMENT**



#### Risque d'explosion

Utiliser un produit de nettoyage ininflammable.

Le non-respect de cette instruction peut causer un décès, une explosion ou un incendie.

Les sections de réfrigération et de congélation se dégivrent automatiquement. Toutefois, nettoyer les deux compartiments environ une fois par mois afin d'éviter une accumulation d'odeurs. Essuyer les renversements immédiatement.

#### IMPORTANT :

- Comme l'air circule entre les deux sections, toutes les odeurs formées dans une section seront transférées à l'autre. Les deux sections doivent être nettoyées avec soin pour éliminer les odeurs. Pour éviter le transfert d'odeurs et l'assèchement des aliments, envelopper ou recouvrir hermétiquement les aliments.
- Pour les modèles en acier inoxydable, l'acier inoxydable est résistant à la corrosion et non anticorrosion. Afin d'éviter l'oxydation de l'acier inoxydable, veiller à ce que les surfaces restent propres en suivant les instructions de nettoyage suivantes.

#### Nettoyage du réfrigérateur :

**REMARQUE :** Ne pas utiliser de nettoyeurs puissants ou abrasifs tels que les nettoyeurs à vitre en atomiseurs, nettoyeurs à récurer, liquides inflammables, acide chlorhydrique, cires nettoyantes, détergents concentrés, agents de blanchiment ou nettoyeurs contenant du pétrole sur les surfaces extérieures (portes et caisse de l'appareil), pièces en plastique, les garnitures intérieures et garnitures de portes ou sur les joints de portes. Ne pas utiliser d'essuie-tout, de tampons à récurer ou d'autres outils de nettoyage abrasifs.

1. Débrancher le réfrigérateur ou déconnecter la source de courant électrique.
2. Laver à la main, rincer et sécher les pièces amovibles et les surfaces internes soigneusement. Utiliser une éponge propre ou un linge doux et un détergent doux dans de l'eau tiède.
3. Nettoyer les surfaces extérieures.

**Métal peint :** Laver les parties métalliques extérieures à l'aide d'un chiffon doux ou d'une éponge douce et propre et d'un détergent doux dans de l'eau tiède. Rincer les surfaces avec une eau propre et tiède et sécher immédiatement afin d'éviter d'éventuelles taches laissées par l'eau.

**Acier inoxydable :** Laver les surfaces en acier inoxydable à l'aide d'un chiffon doux ou d'une éponge douce et propre et d'un détergent doux dans de l'eau tiède. Rincer les surfaces avec une eau propre et tiède et sécher immédiatement afin d'éviter d'éventuelles taches laissées par l'eau.

**REMARQUE :** Lors du nettoyage de l'acier inoxydable, toujours frotter dans le sens du grain afin d'éviter d'érafler la surface.

4. Brancher le réfrigérateur ou reconnecter la source de courant électrique.

## Remplacer l'ampoule d'éclairage

L'ampoule se trouve derrière la commande de température.

**IMPORTANT :** En fonction de votre modèle, les ampoules de votre nouveau réfrigérateur peuvent être issues de la technologie DEL. Si votre modèle utilise un éclairage à DEL et que les lumières ne s'allument pas lorsqu'on ouvre la porte, appeler les numéros fournis pour obtenir de l'aide ou un dépannage. Consulter la garantie pour connaître les numéros de téléphone.

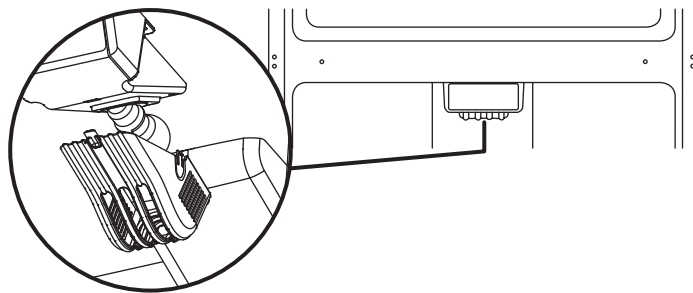
1. Débrancher le réfrigérateur ou déconnecter la source de courant électrique.
2. Enlever le protège-ampoule en appuyant sur les côtés et en le tirant vers le bas.
3. Retirer l'ampoule et la remplacer par une ampoule de même taille et forme.

- Pour remplacer l'ampoule du compartiment de réfrigération par une ampoule DEL, commander la pièce numéro W10565137 (3,6 W).

**REMARQUE :** Certaines ampoules DEL de rechange ne sont pas recommandées pour des environnements humides/mouillés. Les compartiments de réfrigération et de congélation sont considérés comme des environnements humides/mouillés. Si l'on utilise une marque d'ampoule DEL différente de celle recommandée par Whirlpool, lire et suivre toutes les instructions de l'emballage des ampoules DEL avant de procéder à l'installation.

- Si l'on utilise une ampoule à incandescence pour remplacer l'ampoule DEL, utiliser uniquement des ampoules à incandescence pour les appareils ménagers de 60 W maximum.

4. Réinstaller le protège-ampoule.



5. Brancher le réfrigérateur ou reconnecter la source de courant électrique.

---

## Précautions à prendre pour les vacances ou le déménagement

---

### Vacances

---

#### Si le réfrigérateur est laissé en marche pendant son absence :

1. Consommer toutes les denrées périssables et congeler les autres articles.
2. Si le réfrigérateur comporte une machine à glaçons automatique et qu'il est raccordé à la source d'approvisionnement en eau du domicile, fermer la source d'approvisionnement en eau du réfrigérateur. Des dommages matériels peuvent subvenir si l'alimentation en eau n'est pas coupée.
3. Si votre machine à glaçons est automatique, éteindre la machine à glaçons.

**REMARQUE :** Fermer le bras de commande d'arrêt en broche (vers le haut).

4. Vider le bac à glaçons.

#### Si l'utilisateur choisit d'arrêter le réfrigérateur avant son absence :

1. Enlever tous les aliments du réfrigérateur.
2. Si le réfrigérateur est équipé d'une machine à glaçons automatique :
  - Fermer l'approvisionnement en eau de la machine à glaçons au moins un jour à l'avance.
  - Lorsque la dernière quantité de glaçons est déposée, soulever le bras de commande en broche à la position Off (élevée).
3. Éteindre les commandes de température. Voir la section "Utilisation des commandes".
4. Nettoyer le réfrigérateur, l'essuyer et bien le sécher.
5. À l'aide d'un ruban adhésif, placer des blocs de caoutchouc ou de bois dans la partie supérieure de chaque porte de façon à ce qu'elles soient suffisamment ouvertes pour permettre à l'air d'entrer et d'éviter l'accumulation d'odeur ou de moisissure.

---

### Déménagement

---

En cas de déménagement et de déplacement du réfrigérateur dans une nouvelle habitation, suivre ces étapes pour préparer le déménagement.

1. Si le réfrigérateur est équipé d'une machine à glaçons automatique :
  - Fermer l'approvisionnement en eau de la machine à glaçons au moins un jour à l'avance.
  - Débrancher la canalisation d'eau de l'arrière du réfrigérateur.
  - Lorsque la dernière quantité de glaçons est déposée, soulever le bras de commande en broche à la position Off (élevée).
2. Retirer tous les aliments du réfrigérateur et placer tous les aliments congelés dans de la neige carbonique.
3. Vider le bac à glaçons.
4. Éteindre les commandes de température. Voir la section "Utilisation des commandes".
5. Débrancher le réfrigérateur.
6. Bien nettoyer, essuyer et sécher.
7. Retirer toutes les pièces amovibles, bien les envelopper et les attacher ensemble avec du ruban adhésif pour qu'elles ne bougent et ne s'entrechoquent pas durant le déménagement.
8. Selon le modèle, soulever l'avant du réfrigérateur pour qu'il roule plus facilement OU soulever les pieds de nivellement pour qu'ils n'égratignent pas le plancher. Voir les sections "Ajustement des portes" ou "Fermeture et alignement des portes".
9. Fermer les portes à l'aide de ruban adhésif et fixer le cordon d'alimentation à la partie arrière du réfrigérateur.

Lors de l'arrivée au nouveau domicile, remettre tout en place et consulter la section "Instructions d'installation" pour les instructions de préparation. Aussi, si le réfrigérateur comporte une machine à glaçons automatique, ne pas oublier de rebrancher l'approvisionnement en eau au réfrigérateur.

# DÉPANNAGE

Essayez d'abord les solutions suggérées ici. Pour obtenir de l'aide ou des conseils qui permettront peut-être d'éviter une intervention de dépannage, consulter la page de garantie de ce manuel et balayer le code avec votre appareil mobile ou visiter le [www.whirlpool.com/product\\_help](http://www.whirlpool.com/product_help).

Au Canada, visiter le [www.whirlpool.ca](http://www.whirlpool.ca).

Il est possible d'adresser ses commentaires ou questions par courrier à l'adresse suivante :

Aux États-Unis :

Whirlpool Brand Home Appliances  
Centre pour l'eXpérience de la clientèle  
553 Benson Road  
Benton Harbor, MI 49022-2692

Au Canada :

Whirlpool Brand Home Appliances  
Centre d'eXpérience pour la clientèle  
200 – 6750 Century Ave.  
Mississauga (Ontario) L5N 0B7

Veillez indiquer dans votre correspondance un numéro de téléphone où l'on peut vous joindre dans la journée.

## Fonctionnement du réfrigérateur

### Le réfrigérateur ne fonctionne pas

#### **AVERTISSEMENT**



#### Risque de choc électrique

**Brancher sur une prise à 3 alvéoles reliée à la terre.**

**Ne pas enlever la broche de liaison à la terre.**

**Ne pas utiliser un adaptateur.**

**Ne pas utiliser un câble de rallonge.**

**Le non-respect de ces instructions peut causer un décès, un incendie ou un choc électrique.**

- **Le cordon d'alimentation électrique est-il débranché ?** Brancher l'appareil sur une prise à 3 alvéoles reliée à la terre.
- **La prise électrique fonctionne-t-elle ?** Brancher une lampe pour voir si la prise fonctionne.
- **Un fusible du domicile est-il grillé ou un disjoncteur s'est-il ouvert ?** Remplacer le fusible ou réenclencher le disjoncteur. Si le problème persiste, appeler un électricien.
- **Les commandes sont-elles activées ?** S'assurer que les commandes du réfrigérateur sont en fonction. Voir la section "Utilisation des commandes".
- **S'agit-il d'une nouvelle installation ?** Accorder 24 heures après l'installation pour que le réfrigérateur se refroidisse complètement.

**REMARQUE :** Le fait de régler les commandes de température sur le réglage le plus froid ne refroidira pas le compartiment plus rapidement.

### Les ampoules ne fonctionnent pas

- **Une ampoule est-elle grillée ?** Remplacement d'une ampoule. Voir la section "Remplacement de l'ampoule d'éclairage".

### Le moteur semble fonctionner excessivement

Il se peut que ce nouveau réfrigérateur fonctionne plus longtemps que l'ancien en raison du compresseur et des ventilateurs à haute efficacité. L'appareil peut fonctionner encore plus longtemps si la température de la pièce est élevée, si une grande quantité de nourriture a été ajoutée, si la porte est fréquemment ouverte ou si elle est laissée ouverte.

### Le réfrigérateur semble bruyant

Le bruit émis par les réfrigérateurs a été réduit au cours des années. Du fait de cette réduction, il est possible d'entendre des bruits intermittents provenant du nouveau réfrigérateur qui n'avaient pas été décelés avec l'ancien modèle. Voici une liste de sons normaux, accompagnée d'explications.

- **Bourdonnement** – Se fait entendre lorsque le robinet d'eau s'ouvre pour remplir la machine à glaçons.
- **Pulsation** – Les ventilateurs/le compresseur se règlent afin d'optimiser le rendement.
- **Sifflement/cliquetis** – Écoulement de liquide réfrigérant, mouvement des conduites d'eau ou d'objets posés sur le dessus du réfrigérateur.
- **Grésillement/gargouillement** – De l'eau tombe sur l'élément de chauffage durant le programme de dégivrage.
- **Contraction** – Expansion des parois internes, surtout lors du refroidissement initial.
- **Bruit d'écoulement d'eau** – Peut être entendu lorsque la glace fond lors du programme de dégivrage et que l'eau s'écoule dans le plateau de dégivrage.
- **Grincement/craquement** – Se produit lorsque la glace est éjectée du moule à glaçons.

### Les portes ne se ferment pas complètement ou elles ne restent pas fermées

- **La porte est-elle bloquée en position ouverte ?** Déplacer les emballages d'aliments pour libérer la porte.
- **Un compartiment ou une tablette bloquent-ils le passage ?** Replacer le compartiment ou la tablette en position correcte.
- **Le couvercle du bac à légumes fait-il obstruction ?** Vérifier que le couvercle du bac à légumes est enfoncé complètement de sorte que l'arrière repose sur les supports.
- **Le réfrigérateur n'est-il pas incliné vers l'arrière ?** Soulever l'avant du réfrigérateur de façon à ce qu'il soit légèrement plus incliné vers sa partie arrière et que les portes ferment plus facilement. Voir la section "Ajustement des portes."
- **A-t-on refermé la porte trop vite ?** Fermer doucement et fermement la porte pour qu'elle ne se rouvre pas.

## La porte est difficile à ouvrir

### **AVERTISSEMENT**



#### Risque d'explosion

Utiliser un produit de nettoyage ininflammable.  
Le non-respect de cette instruction peut causer un décès, une explosion ou un incendie.

- **Les joints d'étanchéité sont-ils sales ou collants ?** Nettoyer les joints et les surfaces de contact au savon doux et à l'eau tiède. Rincer et sécher avec un linge doux.

## Température et humidité

### La température est trop élevée

- **S'agit-il d'une nouvelle installation ?** Accorder 24 heures après l'installation pour que le réfrigérateur se refroidisse complètement.
- **Porte ouverte souvent ou laissée ouverte ?** Ceci permet à l'air chaud de pénétrer dans le réfrigérateur. Minimiser les ouvertures de porte et garder la porte complètement fermée.
- **A-t-on ajouté une grande quantité d'aliments ?** Attendre quelques heures pour permettre au réfrigérateur de revenir à une température normale.
- **Les réglages sont-ils corrects pour les conditions existantes ?** Régler les commandes à un cran plus froid. Vérifier la température au bout de 24 heures. Voir la section "Utilisation des commandes".

### Il y a accumulation d'humidité à l'intérieur

**REMARQUE :** Une certaine accumulation d'humidité est normale.

- **La pièce est-elle humide ?** Ceci contribue à l'accumulation de l'humidité.
- **Porte ouverte souvent ou laissée ouverte ?** Ceci permet à l'air chaud de pénétrer dans le réfrigérateur. Minimiser les ouvertures de porte et garder la porte complètement fermée.

## Glaçons et eau

### La machine à glaçons ne produit pas ou pas suffisamment de glaçons

- **Le réfrigérateur est-il connecté à l'alimentation en eau et le robinet d'arrêt d'eau est-il ouvert ?** Brancher le réfrigérateur à l'alimentation en eau et ouvrir le robinet d'arrêt d'eau complètement.
- **La canalisation de la source d'eau du domicile comporte-t-elle une déformation ?** Une déformation dans la canalisation peut réduire l'écoulement d'eau. Redresser la canalisation d'eau.
- **La machine à glaçons est-elle allumée ?** S'assurer que le bras de commande à broche ou le commutateur (selon le modèle) est en position On.

- **S'agit-il d'une nouvelle installation ?** Attendre 24 heures après l'installation de la machine à glaçons pour que la production de glaçons commence. Prévoir un délai de 3 jours pour le remplissage complet du récipient à glaçons.
- **A-t-on récemment prélevé une grande quantité de glaçons ?** Attendre 24 heures pour que la machine à glaçons produise plus de glaçons.
- **Un glaçon est-il coincé dans le bras éjecteur de la machine à glaçons ?** Enlever le glaçon du bras éjecteur avec un ustensile en plastique.
- **Un système de filtration de l'eau à osmose inverse est-il connecté à l'alimentation en eau froide ?** Ceci peut réduire la pression de l'eau. Voir la section "Spécifications de l'alimentation en eau".

### Les glaçons sont creux ou petits

**REMARQUE :** Cela indique une faible pression d'eau.

- **Le robinet d'arrêt de la canalisation d'eau est-il complètement ouvert ?** Ouvrir le robinet d'arrêt complètement.
- **La canalisation de la source d'eau du domicile comporte-t-elle une déformation ?** Une déformation dans la canalisation peut réduire l'écoulement d'eau. Redresser la canalisation d'eau.
- **Un système de filtration de l'eau à osmose inverse est-il connecté à l'alimentation en eau froide ?** Ceci peut réduire la pression de l'eau. Voir la section "Spécifications de l'alimentation en eau".
- **D'autres questions concernant la pression de l'eau ?** Appeler un plombier agréé et qualifié.

### Goût, odeur ou couleur grise des glaçons

- **Les raccords de plomberie sont-ils neufs ?** Des raccords de plomberie neufs peuvent entraîner une décoloration ou un mauvais goût des glaçons.
- **Les glaçons ont-ils été gardés trop longtemps ?** Jeter les glaçons. Laver le compartiment à glaçons. Attendre 24 heures pour la fabrication de nouveaux glaçons.
- **Y a-t-il un transfert d'odeurs de nourriture ?** Utiliser des emballages hermétiques et à l'épreuve de l'humidité pour conserver les aliments.
- **L'eau contient-elle des minéraux (tels que le soufre) ?** L'installation d'un filtre à eau peut être requise afin d'enlever les minéraux.



---

# ACCESSOIRES

Les accessoires suivants sont disponibles pour ce réfrigérateur.  
Pour commander, nous contacter et demander les numéros de pièces.

Aux É.-U., consulter notre page Web au [www.whirlpool.com/accessories](http://www.whirlpool.com/accessories) ou composer le **1 800 901-2042**.

Au Canada, consulter notre page Web au [www.whirlpoolparts.ca](http://www.whirlpoolparts.ca) ou nous contacter au **1 800 807-6777**.

**Nettoyant pour acier inoxydable affresh® :**

Aux États-Unis, commander le numéro de pièce W10355016

Au Canada, commander le numéro de pièce W10355016B

**Chiffons pour acier inoxydable affresh® :**

Aux États-Unis, commander le numéro de pièce W10355049

Au Canada, commander le numéro de pièce W10355049B

**Nettoyant pour cuisine et appareils ménagers affresh® :**

Aux États-Unis, commander le numéro de pièce W10355010

Au Canada, commander le numéro de pièce W10355010B

**Ensemble d'inversion du sens d'ouverture :**

Commander le numéro de pièce W10395148

**Trousse de machine à glaçons pour produits à connexion facile (machine à glaçons prête pour l'installation) :**

Commander le numéro de pièce ECKMFEZ2

**Ensemble de machine à glaçons pour produits installés sur place :**

Commander le numéro de pièce 3ECKMF87

**REMARQUE :** Les nouveaux ensembles de tuyaux doivent être utilisés et les vieux ensembles ne doivent pas être utilisés de nouveau.

# GARANTIE LIMITÉE DES APPAREILS DE RÉFRIGÉRATION WHIRLPOOL®

ATTACHEZ ICI VOTRE REÇU DE VENTE. UNE PREUVE D'ACHAT EST OBLIGATOIRE POUR OBTENIR L'APPLICATION DE LA GARANTIE.

Lorsque vous appelez le centre d'expérience à la clientèle, veuillez garder à disposition les renseignements suivants :

- Nom, adresse et numéro de téléphone
- Numéros de modèle et de série
- Une description claire et détaillée du problème rencontré
- Une preuve d'achat incluant le nom et l'adresse du marchand ou du détaillant

## SI VOUS AVEZ BESOIN DE SERVICE :

1. Avant de nous contacter pour obtenir un dépannage, veuillez déterminer si des réparations sont nécessaires pour votre produit. Certains problèmes peuvent être résolus sans intervention de dépannage. Prenez quelques minutes pour parcourir la section Dépannage ou Résolution de problèmes du guide d'utilisation et d'entretien ou rendez-vous sur le site <http://www.whirlpool.ca>.
2. Tout service sous garantie doit être effectué exclusivement par nos fournisseurs de dépannage autorisés Whirlpool.

Aux E.-U. et au Canada, dirigez toutes vos demandes de service sous garantie au :

**Centre d'expérience de la clientèle Whirlpool**

**Aux É.-U., composer le 1 800 253-1301. Au Canada, composer le 1 800 807-6777.**

Si vous résidez à l'extérieur du Canada et des 50 États des États-Unis, contactez votre marchand Whirlpool autorisé pour déterminer si une autre garantie s'applique.

## GARANTIE LIMITÉE DE CINQ ANS

### CE QUI EST COUVERT

#### GARANTIE LIMITÉE DE UN AN

Pendant un an à compter de la date d'achat, lorsque ce gros appareil ménager est installé, utilisé et entretenu conformément aux instructions jointes à ou fournies avec le produit, Whirlpool Corporation ou Whirlpool Canada LP (ci-après désignées "Whirlpool") décidera à sa seule discrétion de remplacer le produit ou de couvrir le coût des pièces de remplacement spécifiées par l'usine et de la main-d'oeuvre nécessaires pour corriger les vices de matériaux ou de fabrication qui existaient déjà lorsque ce gros appareil ménager a été acheté. S'il est remplacé, votre appareil restera sous garantie pour la durée restant à courir de la période de garantie sur le produit d'origine.

#### GARANTIE LIMITÉE DE LA DEUXIÈME À LA CINQUIÈME ANNÉE INCLUSIVEMENT SUR LA DOUBLURE DE LA CAVITÉ ET SUR LE SYSTÈME DE RÉFRIGÉRATION SCELLÉ

De la deuxième à la cinquième année inclusivement à compter de la date d'achat initiale, lorsque ce gros appareil ménager est installé, utilisé et entretenu conformément aux instructions jointes au produit ou fournies avec, la marque Whirlpool paiera pour les pièces de rechange spécifiées par l'usine et la main d'oeuvre concernant les composants suivants pour corriger les défauts non esthétiques de matériau ou de fabrication de ladite pièce qui empêchent le réfrigérateur de fonctionner et qui étaient déjà présents lorsque ce gros appareil ménager a été acheté :

- Doublure de la cavité du réfrigérateur/congélateur si la pièce se fissure en raison d'un vice de matériau ou de fabrication.
- Système de réfrigération scellé (y compris le compresseur, l'évaporateur, le condenseur, le séchoir et les conduits de connexion).

LE SEUL ET EXCLUSIF RECOURS DU CLIENT DANS LE CADRE DE LA PRÉSENTE GARANTIE LIMITÉE CONSISTE EN LA RÉPARATION PRÉVUE PAR LA PRÉSENTE. Le service doit être fourni par une compagnie de service désignée par Whirlpool. Cette garantie limitée est valide uniquement aux États-Unis ou au Canada et s'applique exclusivement lorsque le gros appareil ménager est utilisé dans le pays où il a été acheté. La présente garantie limitée est valable à compter de la date d'achat initial par le consommateur. Une preuve de la date d'achat initial est exigée pour obtenir un dépannage dans le cadre de la présente garantie limitée.

### CE QUI N'EST PAS COUVERT

1. Usage commercial, non résidentiel ou par plusieurs familles, ou non-respect des instructions d'utilisation, de fonctionnement ou d'installation.
2. Visite à domicile pour montrer à l'utilisateur comment utiliser l'appareil.
3. Visites de service pour rectifier une installation ou un entretien fautifs du produit, une installation non conforme aux codes d'électricité ou de plomberie, ou la rectification de l'installation électrique ou de la plomberie du domicile (ex : câblage électrique, fusibles ou tuyaux d'arrivée d'eau du domicile).
4. Pièces consommables (ex : ampoules, piles, filtres à air ou à eau, solutions de conservation, etc.).
5. Défauts ou dommage résultant de l'utilisation de pièces ou accessoires Whirlpool non authentiques.
6. Dommages causés par : accident, mésusage, abus, incendie, inondations, catastrophe naturelle ou l'utilisation de produits non approuvés par Whirlpool.
7. Réparations aux pièces ou systèmes dans le but de rectifier un dommage ou des défauts résultant d'une réparation, altération ou modification non autorisée faite à l'appareil.
8. Défauts d'apparence, notamment les éraflures, traces de choc, fissures ou tout autre dommage subi par le fini de l'appareil ménager, à moins que ces dommages ne résultent de vices de matériaux ou de fabrication et ne soient signalés à Whirlpool dans les 30 jours suivant la date d'achat.
9. Décoloration, rouille ou oxydation des surfaces résultant d'environnements caustiques ou corrosifs incluant des concentrations élevées de sel, un haut degré d'humidité ou une exposition à des produits chimiques (exemples non exhaustifs).
10. Perte d'aliments ou de médicaments due à la défaillance du produit.
11. Enlèvement ou livraison. Ce produit est conçu pour être réparé à l'intérieur du domicile.
12. Frais de déplacement et de transport pour le dépannage/la réparation dans une région éloignée où une compagnie de service Whirlpool autorisée n'est pas disponible.
13. Retrait ou réinstallation d'appareils inaccessibles ou de dispositifs préinstallés (ex : garnitures, panneaux décoratifs, plancher, meubles, îlots de cuisine, plans de travail, panneaux de gypse, etc.) qui entravent le dépannage, le retrait ou le remplacement du produit.
14. Service et pièces pour des appareils dont les numéros de série et de modèle originaux ont été enlevés, modifiés ou ne peuvent pas être facilement identifiés.

**Le coût d'une réparation ou d'un remplacement dans le cadre de ces circonstances exclues est à la charge du client.**

---

**CLAUSE D'EXONÉRATION DE RESPONSABILITÉ AU TITRE DES GARANTIES IMPLICITES**

LES GARANTIES IMPLICITES, Y COMPRIS LES GARANTIES APPLICABLES DE QUALITÉ MARCHANDE OU D'APTITUDE À UN USAGE PARTICULIER, SONT LIMITÉES À CINQ ANS OU À LA PLUS COURTE PÉRIODE AUTORISÉE PAR LA LOI. Certains États et certaines provinces ne permettent pas de limitation sur la durée des garanties implicites de qualité marchande ou d'aptitude à un usage particulier, de sorte que la limitation ci-dessus peut ne pas être applicable dans votre cas. Cette garantie vous confère des droits juridiques spécifiques et vous pouvez également jouir d'autres droits qui peuvent varier d'une juridiction à l'autre.

---

**EXONÉRATION DE RESPONSABILITÉ DANS LES DOMAINES NON COUVERTS PAR LA GARANTIE**

Whirlpool décline toute responsabilité au titre de la qualité, de la durabilité ou en cas de dépannage ou de réparation nécessaire sur ce gros appareil ménager autre que les responsabilités énoncées dans la présente garantie. Si vous souhaitez une garantie plus étendue ou plus complète que la garantie limitée fournie avec ce gros appareil ménager, adressez-vous à Whirlpool ou à votre détaillant pour obtenir les modalités d'achat d'une garantie étendue.

---

**LIMITATION DES RECOURS; EXCLUSION DES DOMMAGES FORTUITS OU INDIRECTS**

LE SEUL ET EXCLUSIF RECOURS DU CLIENT DANS LE CADRE DE LA PRÉSENTE GARANTIE LIMITÉE CONSISTE EN LA RÉPARATION PRÉVUE PAR LA PRÉSENTE. WHIRLPOOL N'ASSUME AUCUNE RESPONSABILITÉ POUR LES DOMMAGES FORTUITS OU INDIRECTS. Certains États et certaines provinces ne permettent pas l'exclusion ou la limitation des dommages fortuits ou indirects de sorte que ces limitations et exclusions peuvent ne pas être applicables dans votre cas. Cette garantie vous confère des droits juridiques spécifiques et vous pouvez également jouir d'autres droits qui peuvent varier d'une juridiction à l'autre.

---

02/17

**Standard Door  
Porte Standard**

Align with top of the door.  
Aligner avec le sommet de la porte.

Align with side of the door.  
Aligner avec le côté de la porte.

$4\frac{29}{32}$ "  
(12.5 cm)

$4\frac{5}{32}$ "  
(10.6 cm)

Ideal position of hole (shown as suggestion)  
Position idéale du trou (suggérée)

