



30" (76.2 CM) AND 36" (91.4 CM) RANGE HOOD

Installation Instructions and Use & Care Guide

For questions about features, operation/performance, parts, accessories or service, call: **1-800-422-1230**

In Canada, for assistance, installation and service, call: **1-800-807-6777**

or visit our website at...

www.kitchenaid.com or www.kitchenaid.ca

HOTTE DE CUISINIÈRE 30" (76,2 CM) ET 36" (91,4 CM)

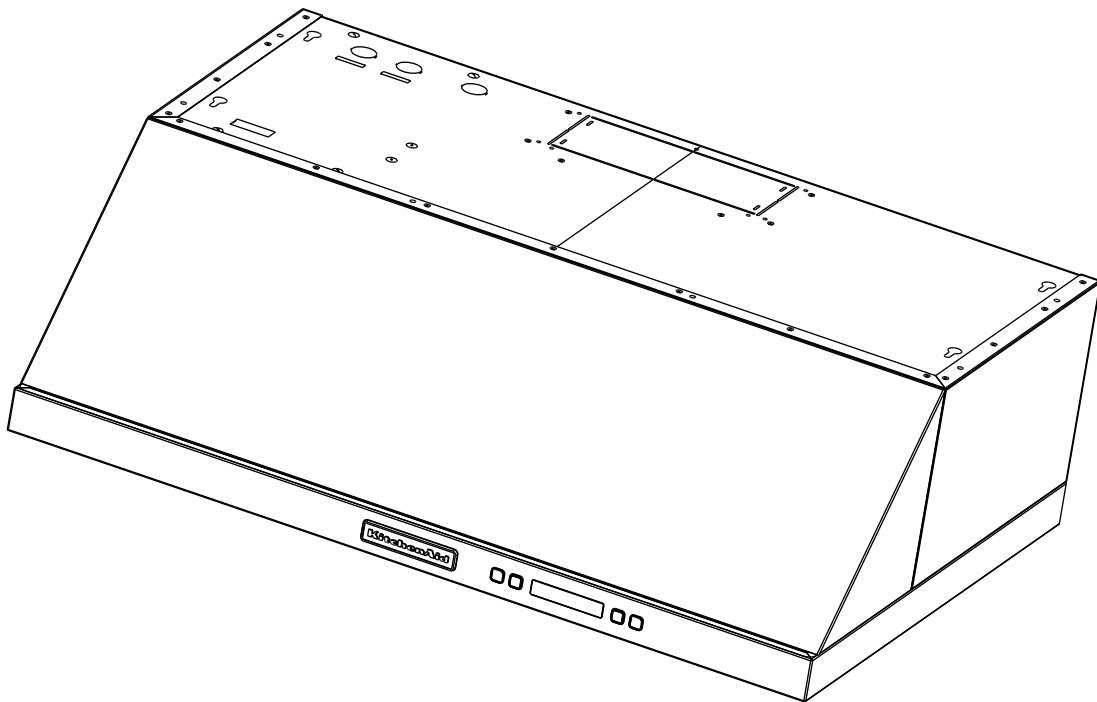
Instructions d'installation et Guide d'utilisation et d'entretien

Au Canada, pour assistance, installation ou service composez le **1-800-807-6777**

ou visitez notre site web à...

www.kitchenaid.ca

Table of Contents/Table des matières.....2



**IMPORTANT: READ AND SAVE THESE INSTRUCTIONS.
FOR RESIDENTIAL USE ONLY.**

**IMPORTANT : LIRE ET CONSERVER CES INSTRUCTIONS.
POUR UTILISATION RÉSIDENNELLE UNIQUEMENT.**

TABLE OF CONTENTS

| | |
|--|-----------|
| RANGE HOOD SAFETY | 2 |
| INSTALLATION REQUIREMENTS | 4 |
| Tools and Parts | 4 |
| Location Requirements | 4 |
| Venting Requirements | 5 |
| Electrical Requirements | 7 |
| INSTALLATION INSTRUCTIONS | 7 |
| Prepare Location | 7 |
| Install Range Hood | 9 |
| Make Electrical Connection | 11 |
| Complete Installation | 11 |
| RANGE HOOD USE | 11 |
| Display | 12 |
| Light | 12 |
| Timer | 12 |
| Fan Speed | 12 |
| RANGE HOOD CARE | 13 |
| Cleaning | 13 |
| WIRING DIAGRAM | 14 |
| ASSISTANCE OR SERVICE | 15 |
| In the U.S.A. | 15 |
| In Canada | 15 |
| Accessories | 15 |
| WARRANTY | 16 |

TABLE DES MATIÈRES

| | |
|---|-----------|
| SÉCURITÉ DE LA HOTTE DE CUISINIÈRE | 17 |
| EXIGENCES D'INSTALLATION | 19 |
| Outillage et pièces | 19 |
| Exigences d'emplacement | 19 |
| Exigences concernant l'évacuation | 20 |
| Spécifications électriques | 22 |
| INSTRUCTIONS D'INSTALLATION | 22 |
| Préparation de l'emplacement | 22 |
| Installation de la hotte | 24 |
| Raccordement électrique | 26 |
| Achever l'installation | 27 |
| UTILISATION DE LA HOTTE | 27 |
| Affichage | 28 |
| Éclairage | 28 |
| Minuterie | 28 |
| Vitesse du ventilateur | 28 |
| ENTRETIEN DE LA HOTTE | 29 |
| Nettoyage | 29 |
| SCHÉMA DE CÂBLAGE | 30 |
| ASSISTANCE OU SERVICE | 31 |
| Au Canada | 31 |
| Accessoires | 31 |
| GARANTIE | 31 |

RANGE HOOD SAFETY

Your safety and the safety of others are very important.

We have provided many important safety messages in this manual and on your appliance. Always read and obey all safety messages.



This is the safety alert symbol.

This symbol alerts you to potential hazards that can kill or hurt you and others.

All safety messages will follow the safety alert symbol and either the word "DANGER" or "WARNING."

These words mean:

⚠ DANGER

You can be killed or seriously injured if you don't immediately follow instructions.

⚠ WARNING

You can be killed or seriously injured if you don't follow instructions.

All safety messages will tell you what the potential hazard is, tell you how to reduce the chance of injury, and tell you what can happen if the instructions are not followed.

State of California Proposition 65 Warnings:

WARNING: This product contains one or more chemicals known to the State of California to cause cancer.

WARNING: This product contains one or more chemicals known to the State of California to cause birth defects or other reproductive harm.

IMPORTANT SAFETY INSTRUCTIONS

WARNING: TO REDUCE THE RISK OF FIRE, ELECTRIC SHOCK, OR INJURY TO PERSONS, OBSERVE THE FOLLOWING:

- Use this unit only in the manner intended by the manufacturer. If you have questions, contact the manufacturer.
- Before servicing or cleaning the unit, switch power off at service panel and lock the service disconnecting means to prevent power from being switched on accidentally. When the service disconnecting means cannot be locked, securely fasten a prominent warning device, such as a tag, to the service panel.
- Installation work and electrical wiring must be done by qualified person(s) in accordance with all applicable codes and standards, including fire-rated construction.
- Do not operate any fan with a damaged cord or plug. Discard fan or return to an authorized service facility for examination and/or repair.
- Sufficient air is needed for proper combustion and exhausting of gases through the flue (chimney) of fuel burning equipment to prevent backdrafting. Follow the heating equipment manufacturer's guideline and safety standards such as those published by the National Fire Protection Association (NFPA), the American Society for Heating, Refrigeration and Air Conditioning Engineers (ASHRAE), and the local code authorities.
- When cutting or drilling into wall or ceiling, do not damage electrical wiring and other hidden utilities.
- Ducted fans must always be vented outdoors.

CAUTION: For general ventilating use only. Do not use to exhaust hazardous or explosive materials and vapors.

CAUTION: To reduce risk of fire and to properly exhaust air, be sure to duct air outside - do not vent exhaust air into spaces within walls or ceilings, attics or into crawl spaces, or garages.

WARNING: TO REDUCE THE RISK OF FIRE, USE ONLY METAL DUCTWORK.

WARNING: TO REDUCE THE RISK OF A RANGE TOP GREASE FIRE:

- Never leave surface units unattended at high settings. Boilovers cause smoking and greasy spillovers that may ignite. Heat oils slowly on low or medium settings.
- Always turn hood ON when cooking at high heat or when flambeing food (i.e. Crepes Suzette, Cherries Jubilee, Peppercorn Beef Flambé).
- Clean ventilating fans frequently. Grease should not be allowed to accumulate on fan or filter.
- Use proper pan size. Always use cookware appropriate for the size of the surface element.

WARNING: TO REDUCE THE RISK OF INJURY TO PERSONS IN THE EVENT OF A RANGE TOP GREASE FIRE, OBSERVE THE FOLLOWING:^a

- SMOTHER FLAMES with a close fitting lid, cookie sheet, or metal tray, then turn off the burner. BE CAREFUL TO PREVENT BURNS. If the flames do not go out immediately, EVACUATE AND CALL THE FIRE DEPARTMENT.
- NEVER PICK UP A FLAMING PAN - you may be burned.
- DO NOT USE WATER, including wet dishcloths or towels - a violent steam explosion will result.
- Use an extinguisher ONLY if:
 - You know you have a class ABC extinguisher, and you already know how to operate it.
 - The fire is small and contained in the area where it started.
 - The fire department is being called.
 - You can fight the fire with your back to an exit.

^aBased on "Kitchen Fire Safety Tips" published by NFPA.

- **WARNING:** To reduce the risk of fire or electrical shock, do not use this fan with any solid-state speed control device.

READ AND SAVE THESE INSTRUCTIONS

INSTALLATION REQUIREMENTS

Tools and Parts

Gather the required tools and parts before starting installation. Read and follow the instructions provided with any tools listed here.

Tools needed

- Drill
- 1¼" (3.2 cm) drill bit
- ⅛" (3.2 mm) drill bit for pilot holes
- Pencil
- Wire stripper or utility knife
- Tape measure or ruler
- Caulking gun and weatherproof caulking compound
- Flat-blade screwdriver
- Phillips screwdriver
- Saber or keyhole saw
- Vent clamps
- Metal snips
- Compass or circle template

Parts supplied

Remove parts from package. Check that all parts are included.

- 2 - Metal filters
- 4 - 4.5 x 13 mm mounting screws
- 2 - 3.5 x 9.5 mm damper screws
- 6" (15.2 cm) transition with damper
- 4 - 5 x 45 mm screws
- 4 - 10 x 60 mm wall anchors (for wall mounting)
- 4 - 5.4 x 75 mm screws (for 10 x 60 mm wall anchors)
- T10 Torx^{®†} adapter
- T20[®] Torx[®] adapter

Parts needed

- Home power supply cable
- ½" (12.7 mm) UL listed or CSA approved strain relief
- 3 - UL listed wire connectors

For top vented installations:

- 6" (15.2 cm) round metal venting
- 1 - wall or roof cap

For non-vented (recirculating) installations:

- Recirculating Kit W10490330 - See "Assistance or Service" section to order.
- 6" (15.2 cm) round metal venting

For rear vented installations:

- 3¼" x 10" (8.3 x 25.4 cm) rectangular metal venting
- 1 - wall or roof cap
- 3¼" x 10" (8.3 x 25.4 cm) Damper Assembly/Motor Mounting Bracket Kit (see "Accessories" in the "Assistance or Service" section to order)

For cabinets with recessed bottoms:

- 2 - 2" (5.1 cm) wide filler strips. Length and thickness determined by recess dimensions.
- 4 - flat-head wood screws or machine screws with washers and nuts (to attach filler strips).

Location Requirements

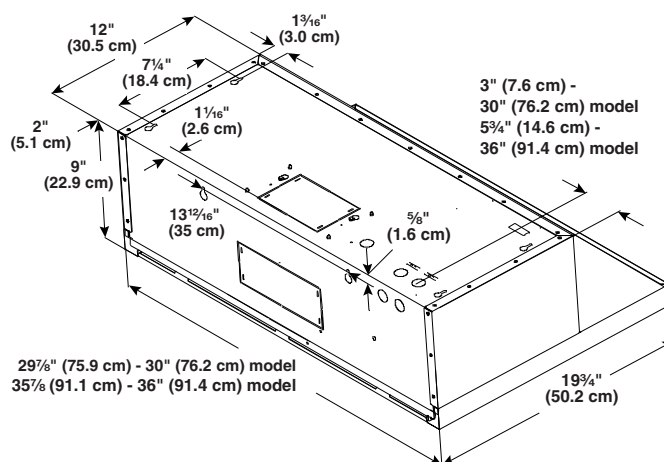
IMPORTANT: Observe all governing codes and ordinances.

- It is the installer's responsibility to comply with installation clearances specified on the model/serial/rating plate. The model/serial/rating plate is located inside the range hood on the left wall.
- Range hood location should be away from strong draft areas, such as windows, doors and strong heating vents.
- Cabinet opening dimensions that are shown must be used. Given dimensions provide minimum clearance. Consult the cooktop/range manufacturer installation instructions before making any cutouts.
- This range hood is recommended for use with cooktop with a maximum total rating of 65,000 BTUs or less.
- Grounded electrical outlet is required. See "Electrical Requirements" section.
- The range hood is factory-set for vented installations. For non-vented (recirculating) installations, the Recirculation Kit is W10490330. Replacement Charcoal Filters Part Number is W10272068. See the "Assistance or Service" section to order.
- All openings in ceiling and wall where range hood will be installed must be sealed.

For Mobile Home Installations

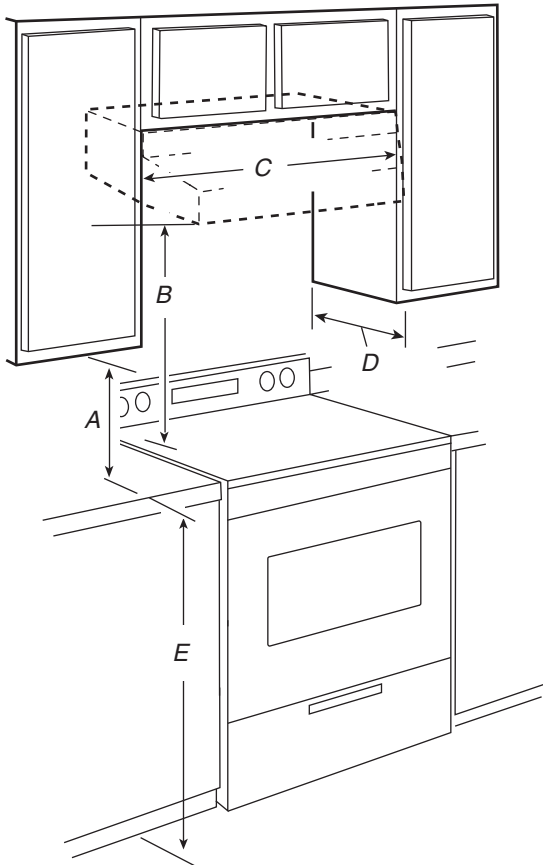
The installation of this range hood must conform to the Manufactured Home Construction Safety Standards, Title 24 CFR, Part 328 (formerly the Federal Standard for Mobile Home Construction and Safety, title 24, HUD, Part 280) or when such standard is not applicable, the standard for Manufactured Home Installation 1982 (Manufactured Home Sites, Communities and Setups) ANSI A225.1/NFPA 501A, or latest edition, or with local codes.

Product Dimensions



†®TORX and T20 are registered trademarks of Acument Intellectual Properties,

Installation Clearances



- A. 18" (45.7 cm) min. clearance - upper cabinet to countertop
- B. 24" (61.0 cm) min. for electric cooking surfaces
27" (68.6 cm) min. for gas cooking surfaces
30" (76.2 cm) suggested max. - bottom of range hood to cooking surface
- C. 30" (76.2 cm) or 36" (91.4 cm) min. cabinet opening width
- D. 12" (30.5 cm) min. cabinet depth
- E. 36" (91.4 cm) base cabinet height

Venting Requirements (Vented Models Only)

- Vent system must terminate to the outdoors except for non-vented (recirculating) installations.
- Do not terminate the vent system in an attic or other enclosed area.
- Do not use a 4" (10.2 cm) laundry-type wall cap.
- Use a 6" (15.2 cm) round metal vent or a 3¼" x 10" (8.3 x 25.4 cm) rectangular metal vent. Rigid metal vent is recommended. Plastic or metal foil vent is not recommended.
- The length of vent system and number of elbows should be kept to a minimum to provide efficient performance.

For the most efficient and quiet operation:

- Use no more than three 90° elbows.
- Make sure there is a minimum of 24" (61 cm) of straight vent between the elbows if more than 1 elbow is used.
- Do not install 2 elbows together.
- Use clamps to seal all joints in the vent system.
- The vent system must have a damper. If roof or wall cap has a damper, do not use damper supplied with the range hood.
- Use caulking to seal exterior wall or roof opening around the cap.

Cold Weather Installations

An additional back draft damper should be installed to minimize backward cold air flow and a thermal break should be installed to minimize conduction of outside temperatures as part of the vent system. The damper should be on the cold air side of the thermal break.

The break should be as close as possible to where the vent system enters the heated portion of the house.

Makeup Air

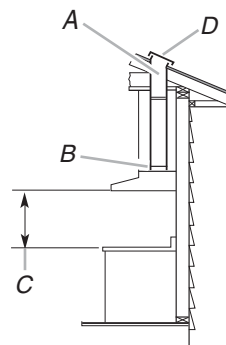
Local building codes may require the use of makeup air systems when using ventilation systems greater than specified CFM of air movement. The specified CFM varies from locale to locale. Consult your HVAC professional for specific requirements in your area.

Venting Methods

The vent system for venting out of the top of range hood can be terminated either through the roof or wall. Use a 6" (15.2 cm) round vent. The vent system for venting out the rear of the range hood must be terminated through the wall. Use a 3¼" x 10" (8.3 x 25.4 cm) rectangular vent. For rear venting the Damper Assembly/Motor Mounting Bracket Kit is required. See "Assistance or Service" section to order.

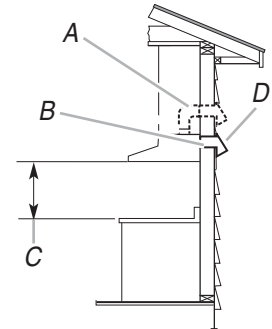
NOTE: Flexible vent is not recommended. Flexible vent creates back pressure and air turbulence that gently reduces performance.

Roof Venting



- A. 6" (15.2 cm) round vent through roof
- B. Round vent: 6" (15.2 cm) diameter transition piece.
- C. 24" (61.0 cm) - 30" (76.2 cm) above electric cooking surface
27" (68.6 cm) - 30" (76.2 cm) above gas cooking surface
- D. Roof cap

Wall Venting





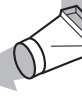


- A. 6" (15.2 cm) round vent through the wall
- B. 3¼" x 10" (8.3 x 25.4 cm) through the wall (purchased separately)
- C. 24" (61.0 cm) - 30" (76.2 cm) above electric cooking surface
27" (68.6 cm) - 30" (76.2 cm) above gas cooking surface
- D. Wall cap

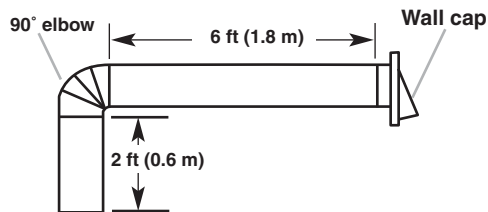
Calculating Vent System Length

To calculate the length of the system you need, add the equivalent feet (meters) for each vent piece used in the system.

6" (15.2 cm) Round Vent System

| Vent Piece | Round | |
|---|----------------|--|
| 45° elbow | 2.5 ft (0.8 m) |  |
| 90° elbow | 5.0 ft (1.5 m) |  |
| 6" (15.2 cm) wall cap | 0.0 ft (0.0 m) |  |
| 3/4" x 10" (8.3 cm x 25.4 cm) to 6" (15.2 cm) | 4.5 ft (1.4 m) |  |
| 3/4" x 10" (8.3 cm x 25.4 cm) to 6" (15.2 cm) 90° elbow | 5.0 ft (1.5 m) |  |


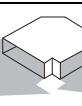

Example vent system



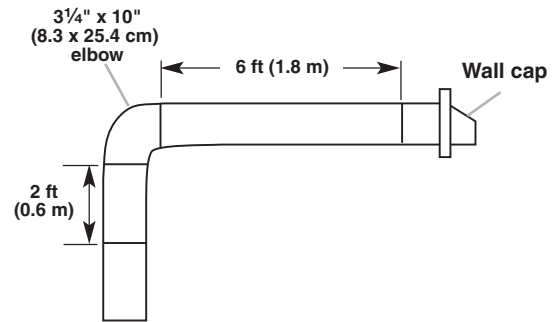
Maximum Recommended Length = 50 ft (15.2 m)

| | |
|-------------------------------|-------------------|
| 1 - 90° elbow | = 5.0 ft (1.5 m) |
| 1 - wall cap | = 0.0 ft (0.0 m) |
| 8 ft (2.4 m) straight | = 8.0 ft (2.4 m) |
| Length of 7" (17.8 cm) system | = 13.0 ft (3.9 m) |

3/4" x 10" (8.3 cm x 25.4 cm) Vent System

| Vent Piece | | |
|--|-----------------|---|
| 3/4" x 10" (8.3 cm x 25.4 cm) 90° elbow | 5.0 ft (1.5 m) |  |
| 3/4" x 10" (8.3 cm x 25.4 cm) flat elbow | 12.0 ft (3.7 m) |  |
| 3/4" x 10" (8.3 cm x 25.4 cm) wall cap | 0.0 ft (0.0 m) |  |

Example vent system



Maximum Recommended Length = 35 ft (10.7 m)

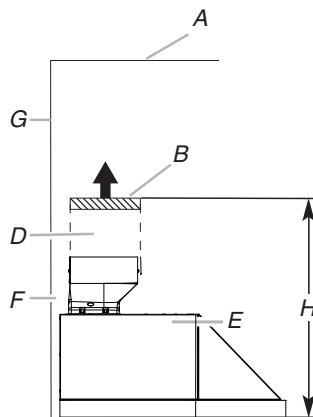
| | |
|-----------------------|-------------------|
| 1 - 90° elbow | = 5.0 ft (1.5 m) |
| 8 ft (2.4 m) straight | = 8.0 ft (2.4 m) |
| 1 - wall cap | = 0.0 ft (0.0 m) |
| Length of system | = 13.0 ft (3.9 m) |

Non-Vented (recirculating) Installations Through the Soffit/Cabinet

If it is not possible to vent cooking fumes and vapors to the outside, the range hood can be used in the non-vented (recirculating) version, using a recirculation kit. The recirculation kit Part Number is W10490330. See "Assistance or Service" section to order.

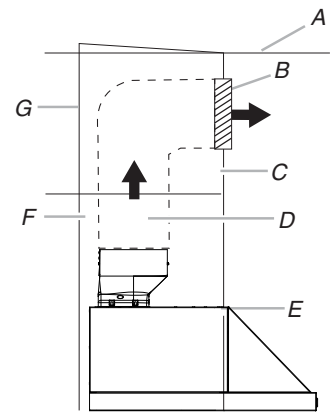
For non-vented (recirculating) installations only, the range hood can be vented indoors through the top of the cabinet or soffit.

Through Cabinet



A. Ceiling
B. Vent cover
C. Soffit
D. 6" (15.2 cm) vent
E. Range hood

Through Soffit



F. Cabinet
G. Wall
H. 17" (43.2 cm) min. vent cover height

NOTE: 12" (30.5 cm) high cabinets without a soffit may allow the 6" (15.2 cm) vent and vent cover to be seen.

Electrical Requirements

Observe all governing codes and ordinances.

Ensure that the electrical installation is adequate and in conformance with National Electrical Code, ANSI/NFPA 70 (latest edition), or CSA Standards C22.1-94, Canadian Electrical Code, Part 1 and C22.2 No. 0-M91 (latest edition) and all local codes and ordinances.

If codes permit and a separate ground wire is used, it is recommended that a qualified electrician determine that the ground path is adequate.

A copy of the above code standards can be obtained from:

National Fire Protection Association
1 Batterymarch Park
Quincy, MA 02169-7471

CSA International
8501 East Pleasant Valley Road
Cleveland, OH 44131-5575

- A 120 volt, 60 Hz., AC only, 15-amp, fused electrical circuit is required.

- If the house has aluminum wiring, follow the procedure below:
 1. Connect a section of solid copper wire to the pigtail leads.
 2. Connect the aluminum wiring to the added section of copper wire using special connectors and/or tools designed and UL listed for joining copper to aluminum.

Follow the electrical connector manufacturer's recommended procedure. Aluminum/copper connection must conform with local codes and industry accepted wiring practices.
- Wire sizes and connections must conform with the rating of the appliance as specified on the model/serial/rating plate. The model/serial/rating plate is located behind the left filter on the rear wall of the range hood.
- Wire sizes must conform to the requirements of the National Electrical Code, ANSI/NFPA 70 (latest edition), or CSA Standards C22.1-94, Canadian Electrical Code, Part 1 and C22.2 No. 0-M91 (latest edition) and all local codes and ordinances.

INSTALLATION INSTRUCTIONS

Prepare Location

NOTE: For vented installations, it is recommended that the vent system be installed before the hood is installed.

Before making cutouts, make sure there is proper clearance within the ceiling or wall for exhaust vent.

NOTE: The exhaust adapter/damper can be installed up to 1" (2.5 cm) on either side of the hood center to accommodate off-center ductwork.

1. Disconnect power.
2. Determine which venting method to use: roof or wall.

NOTE: For rear venting a Damper Assembly/Motor Mounting Bracket Kit must be used. See "Assistance or Service" section to order.

3. Select a flat surface for assembling the range hood. Place covering over that surface.

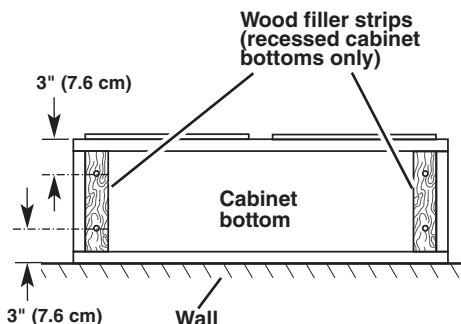
! WARNING

Excessive Weight Hazard

Use two or more people to move and install range hood.

Failure to do so can result in back or other injury.

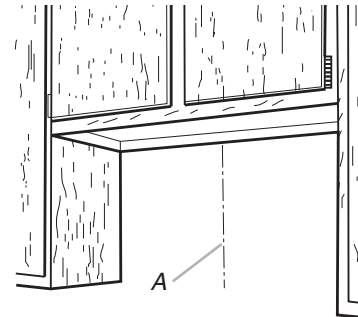
4. Using 2 or more people, lift the range hood and set it upside down onto covered surface.
5. If cabinet has recessed bottom, add wood filler strips on each side. Install screws to attach filler strips in locations shown.



Determine Wiring Hole Location

Cut only one 1¼" (3.2 cm) diameter wiring access hole. See Step 2 for wiring hole location instructions.

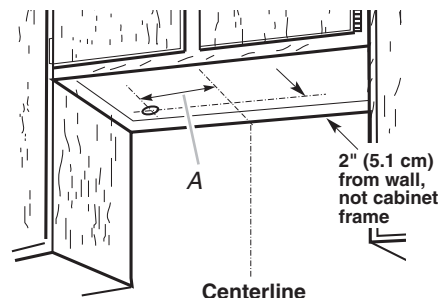
1. Determine and clearly mark a vertical centerline on the wall and cabinet in the area the vent opening will be made.



A. Centerline

2. **To wire through top:**

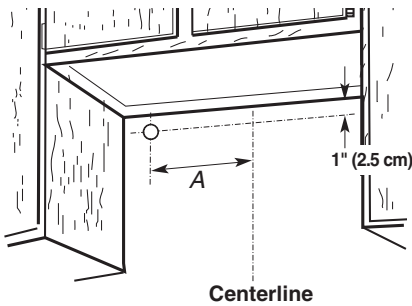
Mark a line distance "A" from the left of the centerline on the underside of the cabinet. Mark the point on this line that is 2" (5.1 cm) from back wall. Drill a 1¼" (3.2 cm) diameter hole through the cabinet at this point.



A. 12" (30.5 cm) for 30" (76.2 cm) models
12¼" (31.1 cm) for 36" (91.4 cm) models

3. To wire through wall:

Mark a line distance "A" from the left of the centerline on the wall. Mark the point on this line that is 1" (2.5 cm) from the bottom of the cabinet. Drill a 1¼" (3.2 cm) diameter hole through the rear wall at this point.



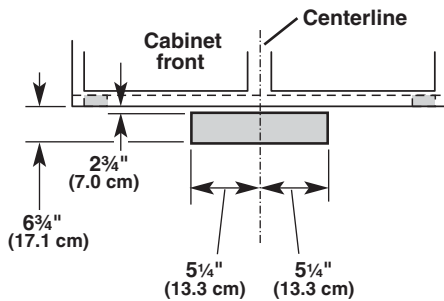
A. 12" (30.5 cm) for 30" (76.2 cm) models
12¼" (31.1 cm) for 36" (91.4 cm) models

Style 1 - Cut Openings for 3¼" x 10" (8.3 cm x 25.4 cm) Rectangular Vent System

Wall Venting

To make a 4" x 10½" (10.2 cm x 26.7 cm) rectangle in the wall:

1. Make 2 lines by measuring 2¾" (7.0 cm) and 6¾" (17.1 cm) down from underside of cabinet and mark on the centerline on the back wall.
2. Mark lines 5¼" (13.3 cm) to the right and left of the centerline on the wall.
3. Use saber or keyhole saw to cut a rectangular opening in the wall for the vent.

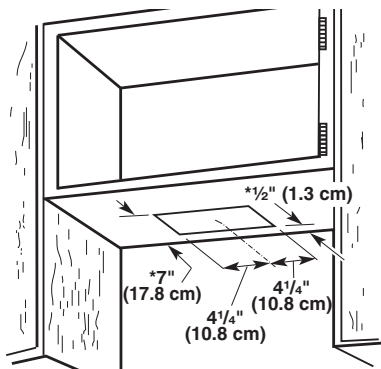


Style 2 - Cut Openings for Rectangular to 6" (15.2 cm) Round Vent Transition

Roof Venting and non-vented (recirculating)

To make a 6½" x 8½" (16.5 cm x 26.7 cm) rectangular cutout on the underside of cabinet bottom:

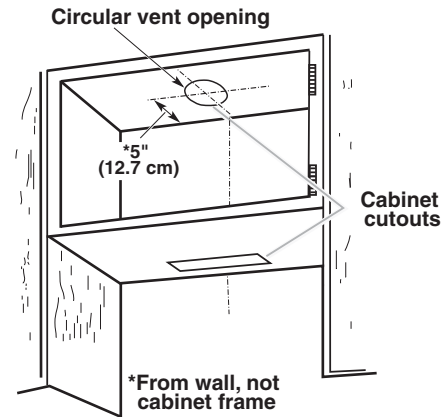
1. Mark lines ½" (1.3 cm) and 7" (17.8 cm) from the back wall on the centerline of the underside of cabinet.
2. Mark lines 4¼" (10.8 cm) to the right and left of the centerline on the underside of cabinet.
3. Use saber or keyhole saw to cut a rectangular opening for vent.



*From wall, not cabinet frame

To make a circular vent opening on the underside of the cabinet top:

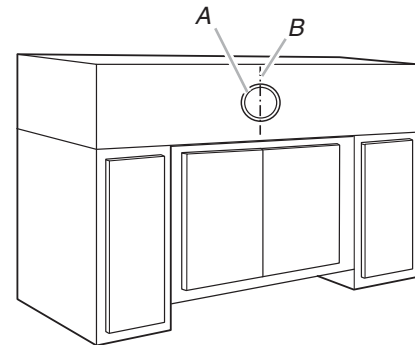
1. Mark a centerline on the underside of the top of cabinet.
2. Mark a line 3¾" (9.5 cm) from the back wall on the underside of the top of cabinet.
3. Use a compass or a circle template to draw a 6¼" (15.2 cm) circle.
4. Use saber or keyhole saw to cut the circular vent opening.



Non-Vented (recirculating) Installation Through the Soffit/Cabinet

Measure and mark the centerline of the cabinet to the soffit above.

Measure from the bottom of the cabinet to the centerline of the where the vent will come through the soffit. Mark the location and use a saber saw or keyhole saw to cut a 5¾" (14.6 cm) hole for the vent cover.



A. Vent cover
B. Centerline

Install Vent System

1. Install vent through the vent opening in cabinet or wall. Complete venting system according to the selected venting method. See "Venting Requirements" section.
2. Use caulking to seal exterior wall or roof opening around the cap.

Install In-Line Smart Kit - Optional

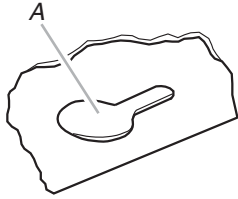
NOTE: Your range hood can work with either an internal or an in-line (external) blower motor system. An optional In-Line Smart Kit (purchased separately) allows the blower motor that comes with this range hood to be installed in a location other than inside the range hood cavity.

CAUTION: To reduce the risk of fire and electric shock, install this range hood only with the In-Line Smart Kit manufactured by Whirlpool, Part Number W10692945.

For installation see the In-Line Smart Kit installation instructions. See the "Assistance or Service" section to order.

Install Range Hood

1. Remove the grease filters. See the "Range Hood Care" section.
2. Remove foam shipping pad from behind the blower motor.
3. Lift the range hood up under cabinet and determine final location by centering beneath cabinet. Mark on the underside of cabinet the location of the 4 keyhole mounting slots on the range hood. Set range hood aside on a covered surface.



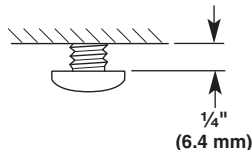
A. Keyhole slot

4. Use 1/8" (3 mm) drill bit and drill 4 pilot holes as shown.



A. Drill pilot hole

5. Install the 4 - 4.5 x 13 mm mounting screws in pilot holes. Leave about 1/4" (6.4 mm) space between screw heads and cabinet to slide range hood into place.



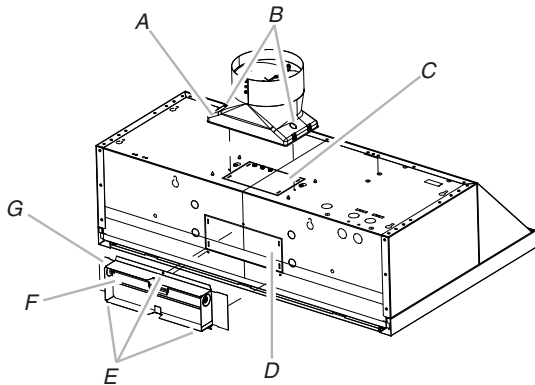
Vent Connector Installation

Determine whether the range hood will be installed using either a top or rear vent connection.

Top Vent Connector Installation

1. Remove the top vent knockout.
2. Attach the round vent transition damper using 2 vent transition mounting screws.
3. Remove tape from damper flap

NOTE: If the wall cap is directly behind the vent connector, the dampers in the connector and wall cap must not interfere. Remove the vent connector damper if they interfere.

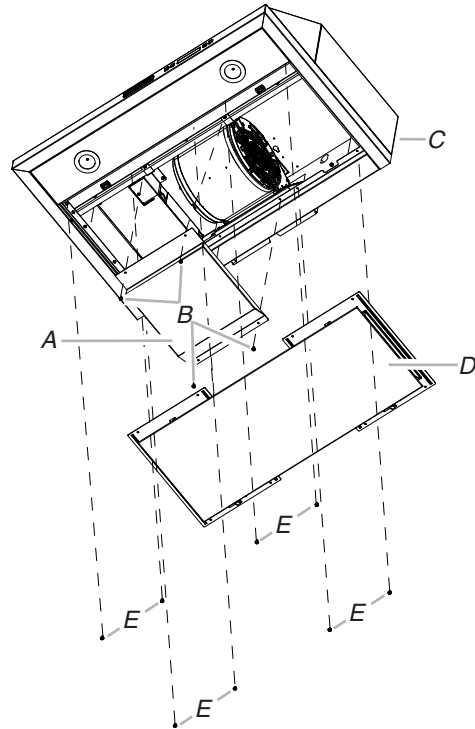


- | | |
|--|---|
| A. Top round vent transition | E. Rear rectangular transition knockout mounting screws (3) |
| B. Top round vent transition mounting screws (2) | F. Hinge pin |
| C. Top vent knockout | G. Rear rectangular vent transition |
| D. Rear vent knockout | |

Rear Vent Connector Installation

NOTE: For rear venting, the blower motor position must be changed. It will need the rear motor mounting bracket that is included with the 3/4" x 10" (8.3 cm x 25.4 cm) Damper Assembly/Motor Mounting Bracket Kit that must be purchased separately. See "Assistance or Service" section to order.

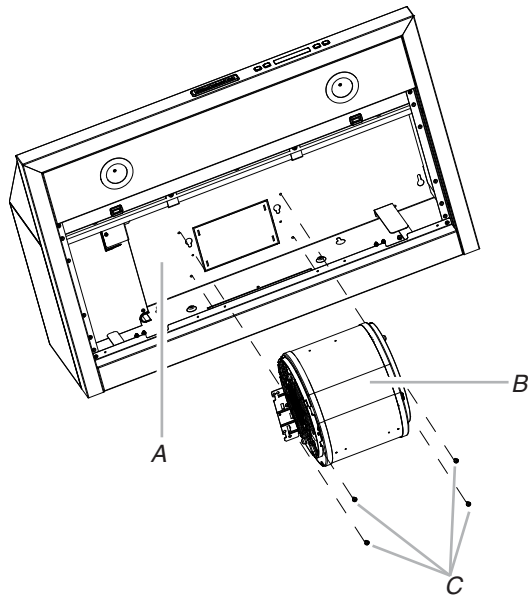
1. Remove the rear vent knockout.
2. Place range hood on its back.
3. Using a T10 Torx® adapter, remove the 8 screws holding the bottom panel assembly in place. Remove the bottom panel assembly and set it aside.



- | | |
|---|---|
| A. Blower motor cover plate | D. Bottom panels assembly |
| B. Blower motor cover plate mounting screws (4) | E. Bottom panels assembly mounting screws |
| C. Back of range hood | |

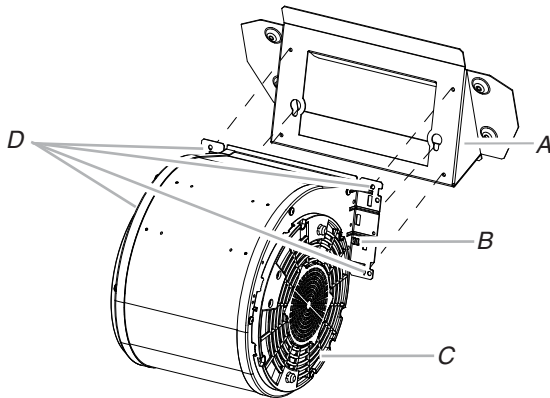
4. Disconnect the blower motor electrical connector from the electrical box connector.
5. Using a T10 Torx® adapter, remove the 4 screws from the motor cover plate. Remove the motor cover plate and set it aside.

6. Remove the rear insulation panel and set it aside.
7. Using a T20® Torx® adapter, remove the 4 screws holding the blower motor in place. Push up on the blower motor to disengage the tabs from range hood cavity back. Remove the blower motor and set it aside.



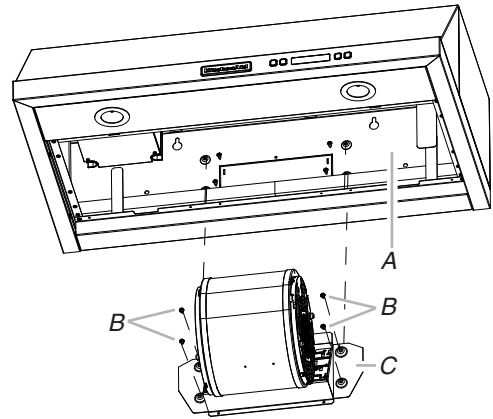
A. Range hood canopy (inside top)
B. Blower motor
C. Blower motor mounting screws

8. Install the blower motor onto the rear motor mounting bracket (included with the 3¼" x 10" (8.3 cm x 25.4 cm) Damper Assembly/Motor Mounting Bracket Kit; see "Accessories or Service" section to order). Engage the motor mounting tabs into keyhole slots in rear mounting bracket and push down to secure. Install the 4 screws removed in Step 7 and tighten to secure motor bracket.



A. Rear motor mounting bracket C. Blower motor
B. Motor mounting tabs (2) D. Blower motor mounting screws (4)

9. Install the blower motor assembly into the range hood and secure with the 4 screws supplied with rear motor mounting bracket assembly.

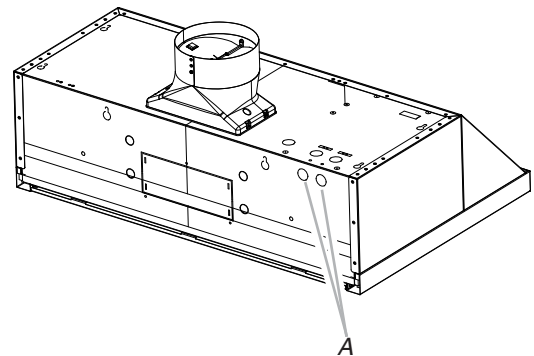


A. Range hood canopy (inside top)
B. Blower motor mounting screws
C. Rear blower motor mounting bracket assembly

10. Reconnect blower motor electrical connector to the electrical box connector.
11. Reinstall the rear insulating panel.
12. Reinstall the motor cover plate to range hood using the 4 screws removed in Step 3.
13. Reinstall bottom panels assembly to range hood using the 8 screws removed in Step 2.
14. Attach the 3¼" x 10" (8.3 cm x 25.4 cm) rectangular vent damper (purchased separately) using 3 vent transition mounting screws. Make sure the vent damper pivot is nearest to the top back edge of the range hood. See vent connector illustration in "Top Vent Connector Installation" in this section.

Install Range Hood to Cabinet

1. Remove the round knockout from the top or back of the range hood (depending on your wiring location) for the wiring strain relief and install a ½" UL listed or CSA approved strain relief.



A. Round knockout

2. Using 2 people, lift range hood into final location. Feed enough electrical wire through the strain relief to make connections in the terminal box. Tighten the strain relief screws.
3. Position the range hood so that the large end of the keyhole slots are over the mounting screws. Then push the hood toward the wall so that the screws are in the neck of the slots. The hood should be against the wall. Tighten the mounting screws, making sure mounting screws are in the narrow neck of the slots.
4. Check that damper, if used, rotates up and down freely.
5. Connect ventwork to hood. Seal joints with clamps to make secure and airtight.

Make Electrical Connection

⚠ WARNING



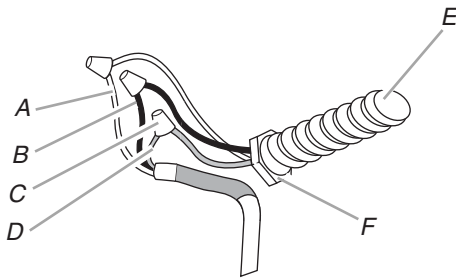
Electrical Shock Hazard

Disconnect power before servicing.

Replace all parts and panels before operating.

Failure to do so can result in death or electrical shock.

1. Disconnect power.



- A. White wires
- B. Black wires
- C. UL listed wire connectors
- D. Green (or bare) and yellow-green ground wire
- E. Home power supply cable
- F. UL listed or CSA approved 1/2" strain relief

2. Use UL listed wire connectors and connect the black wires (B) together.
3. Use UL listed wire connectors and connect the white wires (A) together.

⚠ WARNING



Electrical Shock Hazard

Electrically ground blower.

Connect ground wire to green and yellow ground wire in terminal box.

Failure to do so can result in death or electrical shock.

4. Connect green (or bare) ground wire from home power supply to the yellow-green ground wire (D) in the terminal box using UL listed wire connector.
5. Install terminal box cover.
6. Reconnect power.

Optional Power Cord Kit Installations

For optional power cord kit installations, follow the instructions supplied with the power cord kit. See the "Assistance or Service" section for information on ordering.

NOTE: Use only with range hood cord connection kits that have been investigated and found acceptable for use with this model range hood.

Complete Installation

1. Replace grease filters. See the "Range Hood Care" section.
2. Check the operation of the range hood fan and lights. See "Range Hood Use" section.

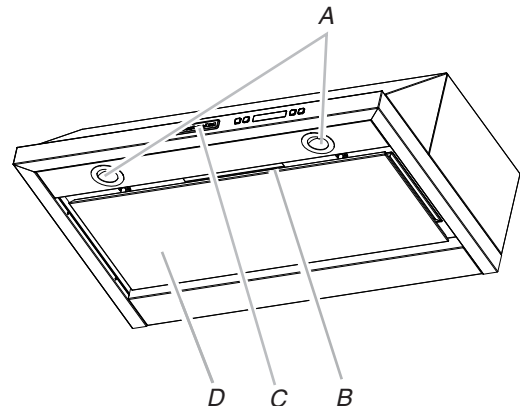
If range hood does not operate, check to see whether a circuit breaker has tripped or a household fuse has blown. Disconnect power and check wiring connections.

NOTE: To get the most efficient use from your new range hood, read the "Range Hood Use" section.

RANGE HOOD USE

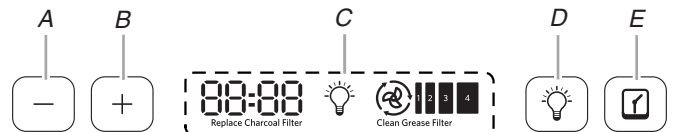
The range hood is designed to remove smoke, cooking vapors and odors from the cooktop area. For best results, start the hood before cooking and allow it to operate several minutes after the cooking is complete to clear all smoke and odors from the kitchen.

The hood controls are located on the center of the range hood.



- A. LED lamp housings
- B. Grease filter handle
- C. Blower and light controls
- D. Grease filter

Control Panel



- A. Power decrease
- B. Power increase
- C. Display
- D. Light
- E. Timer

Display

Grease Filter Saturation Alarm

After 30 hours of fan function, the display will show “Clean Grease Filter” when the fan is active. When this icon shows in the display, the installed grease filters should be washed. See the “Range Hood Care” section.

- To reset the grease filter saturation alarm, press and hold the Power Increase button for 5 seconds. The “Clean Grease Filter” icon will no longer be displayed.

Charcoal Filter Saturation Alarm

After 120 hours of fan function, the display will show “Replace Charcoal Filter” when the fan is active. When this icon shows in the display, the charcoal filters should be replaced. See the “Range Hood Care” section.

- To reset the charcoal filter saturation alarm, press and hold the Power Decrease button for 5 seconds. The “Replace Charcoal Filter” icon will no longer be displayed.

Audible Signal Activation and Deactivation

The audible signals can be activated or deactivated by pressing the Light button for 5 seconds.

- If the audible signal is activated, a tone will sound and “Snd” symbol will appear in the display for 3 seconds.
- If the audible signal is deactivated, the “Snd” symbol will appear on the display for 3 seconds.

Charcoal Filter (Recirculation Accessory) Inclusion and Exclusion

When the charcoal filter is in use (recirculating mode), press and hold the Power Decrease and Power Increase buttons at the same time for 5 seconds. “Able” will appear in the display for 3 seconds.

If the charcoal filter is not used (vented mode), press and hold the Power Decrease and Power Increase buttons at the same time for 5 seconds. “None” will appear in the display for 3 seconds.

- When the charcoal filter has been excluded, the charcoal filter alarm is disabled.
- The inclusion or exclusion of the charcoal filter must be selected while the lights and the fan motor are Off.

Heat Sensor

The control is equipped with a heat sensor that will turn on the blower to the highest speed if excessive heat occurs around the control area.

- If the blower is On or Off, the blower will automatically set to the highest speed. “Auto” will appear in the display to indicate that the heat sensor has detected excessive heat.
- When the blower is operating due to excessive heat detected by the heat sensor, the blower speed cannot be decreased.
- When the temperature level on the hood drops to normal, the blower will return to its setting before the excessive heat was sensed.

Light

To operate the light:

1. Press the Light button to turn the lights On.
 2. Press the Light button again to turn the lights Off.
-

Timer

The timer can be set from 1 to 60 minutes. The default timer setting is 10 minutes.

To use the timer:

1. Press the Timer button to enter the timer mode. After 5 seconds the default time will be automatically selected.
2. Press the Power Decrease and Power Increase buttons while the display is flashing (5 seconds) to adjust to the desired time. Pressing the timer button again or waiting 5 seconds after selecting the desired time will start the timer countdown.
3. The timer can be canceled at any time by pressing the Timer button again.

NOTE: During the timer setup, the Power Decrease and Power Increase buttons are dedicated to the timer. After the timer starts, the Power Decrease and Power Increase buttons can be used for other functions.

Fan Speed

Power Increase/On

This button is used to turn the fan On or increase the fan speed.

- The fan will turn On if the Power Increase button is pressed and the hood was Off.
- An audible tone will sound when the fan reaches its highest speed.

Power Decrease/Off

- This button is used to turn the fan Off or to decrease the fan speed.

Timed Fan Off

The control has a “Timed Fan Off” feature. When activated, it automatically turns the blower fan off after 10 minutes.

- Press and hold the Timer button for 5 seconds to activate. The fan icon will flash and 10:00 (10 minutes) will show in the display. The time will start counting down after 3 seconds.

RANGE HOOD CARE

Cleaning

IMPORTANT: Clean the hood and grease filters frequently according to the following instructions. Replace grease filters before operating hood.

Exterior Surfaces:

To avoid damage to the exterior surface, do not use steel wool or soap-filled scouring pads.

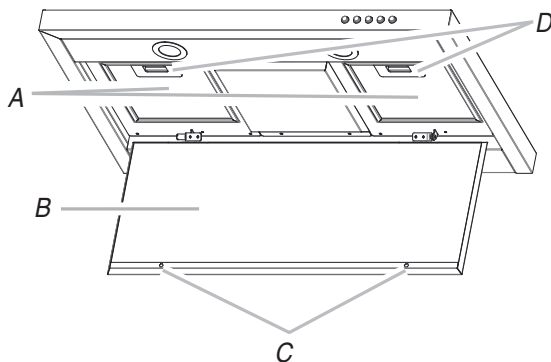
Always wipe dry to avoid water marks.

Cleaning Method:

- Liquid detergent soap and water, or all-purpose cleanser
- Wipe with damp soft cloth or nonabrasive sponge, then rinse with clean water and wipe dry.

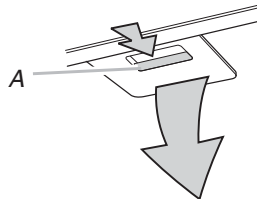
Metal Grease Filter:

1. Open the stainless steel panel. Grasp panel at the front corners and pull down to disengage the 2 catch pins from the spring catches. The panel is attached at the rear and will rotate down.



- A. Metal filters
- B. Stainless steel panel
- C. Catch pins (2)
- D. Spring catches (2)

2. Remove each filter by pulling the spring release handle and then pulling down the filter.



- A. Spring release handle

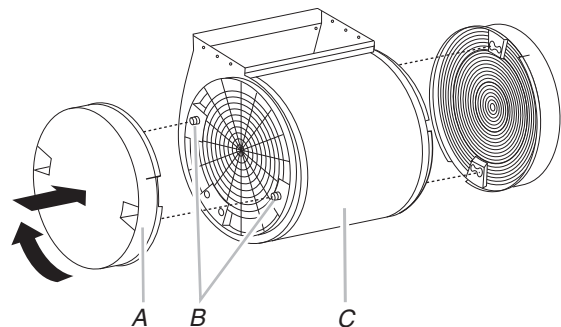
3. Wash metal filters as needed in dishwasher or hot detergent solution.
4. Reinstall the filter by making sure the spring release handles are toward the front. Insert aluminum filter into upper track.
5. Push in spring release handle.
6. Push up on metal filter and release handle to latch into place.
7. Repeat steps 1-5 for the other filter.
8. Close the stainless steel panel. Engage the (2) pins in the spring catches to secure.

Non-Vented (Recirculating) Installation Filters

The charcoal filter is not washable. It should last up to 6 months with normal use. Replace with Charcoal Filter Kit Number W10272068.

To Replace Charcoal Filter:

1. Cover the grille that covers the blower motor with the charcoal filter so that the slots on the filter correspond to the pins on the sides of the motor grille.



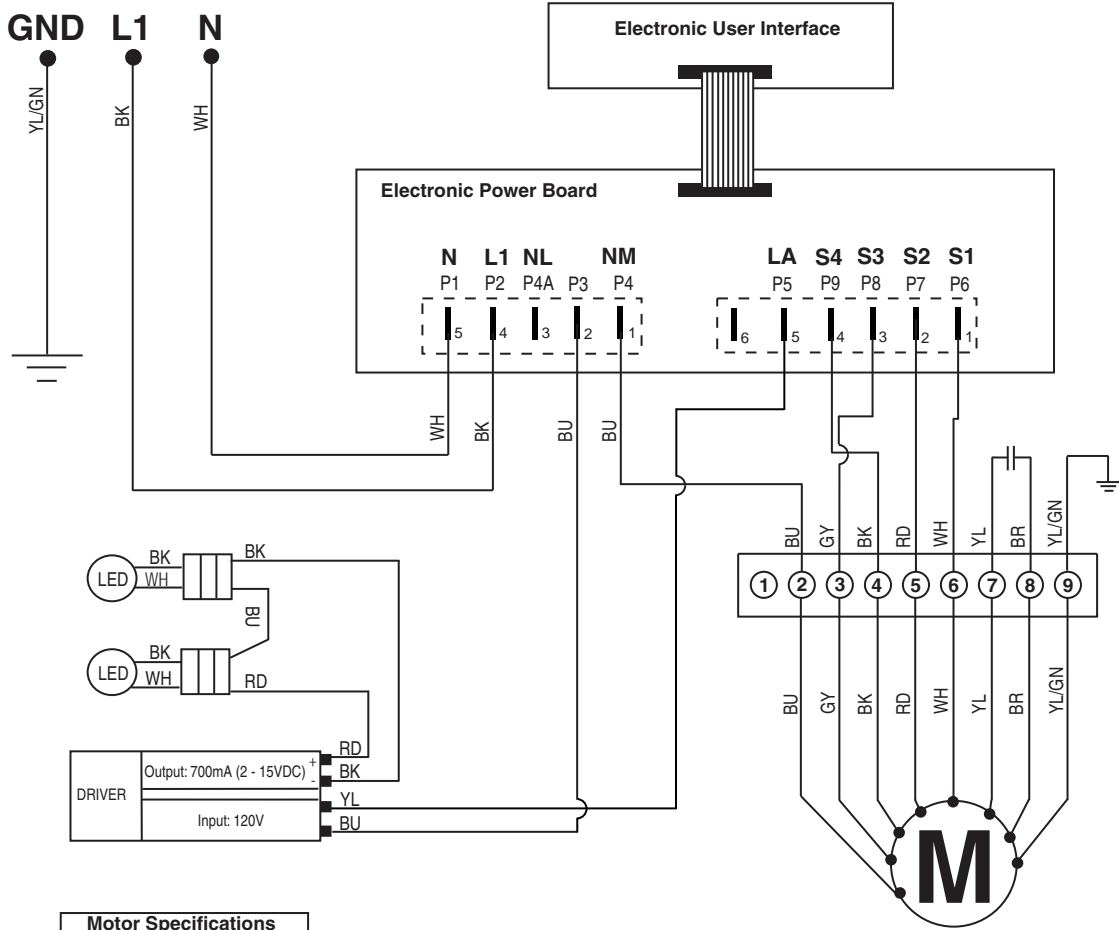
- A. Charcoal filter
- B. Pins
- C. Blower motor

2. Turn the charcoal filter clockwise to lock it.
3. Repeat steps 1-2 on the other filter.

Replacing a LED Lamp

The LED lights are replaceable by a service technician only. See "Assistance and Service" section for service contact information.

WIRING DIAGRAM



| Motor Specifications | |
|-------------------------------|---------|
| Power Supply | 120 VAC |
| Frequency | 60 HZ |
| Power Absorption | 420 W |
| Motor Resistance (Ω) | |
| Blue - Black | 9.8 |
| Blue - Gray | 14.3 |
| Blue - Red | 18 |
| Blue - White | 21.6 |

SE133A

ASSISTANCE OR SERVICE

If you need service

Please refer to the warranty page in this manual.

If you need replacement parts

If you need to order replacement parts, we recommend that you use only factory specified parts. Factory specified parts will fit right and work right because they are made with the same precision used to build every new appliance.

To locate factory specified replacement parts in your area, call the following customer assistance telephone number or your nearest designated service center.

In the U.S.A.

Call the KitchenAid Customer eXperience Center toll free: **1-800-422-1230** or visit our website at www.kitchenaid.com.

Our Consultants Provide Assistance With:

- Scheduling of service. KitchenAid designated service technicians are trained to fulfill the product warranty and provide after-warranty service anywhere in the United States.
- Features and specifications on our full line of appliances.
- Referrals to local dealers.
- Installation information.
- Use and maintenance procedures.
- Accessory and repair parts sales.
- Specialized customer assistance (Spanish speaking, hearing impaired, limited vision, etc.).

For Further Assistance

If you need further assistance, you can write to KitchenAid with any questions or concerns at:

KitchenAid Brand Home Appliances
Customer eXperience Center
553 Benson Road
Benton Harbor, MI 49022-2692

Please include a daytime phone number in your correspondence.

In Canada

Call the Whirlpool Canada LP Customer eXperience Centre toll free: **1-800-807-6777** or visit our website at www.kitchenaid.ca.

Our Consultants Provide Assistance With:

- Scheduling of service. KitchenAid appliances designated service technicians are trained to fulfill the product warranty and provide after-warranty service anywhere in Canada.
- Features and specifications on our full line of appliances.
- Referrals to local dealers.
- Use and maintenance procedures.
- Accessory and repair parts sales.

For Further Assistance

If you need further assistance, you can write to Whirlpool Canada LP with any questions or concerns at:

Customer eXperience Centre
Whirlpool Canada LP
200 - 6750 Century Ave.
Mississauga, Ontario L5N 0B7

Please include a daytime phone number in your correspondence.

Accessories

Charcoal Filter Kit (2 Pack of Filters)

(for non-vented installations only)
Order Part Number W10272068

6" (15.2 cm) Makeup Air Kit

(consult local building codes)
Order Part Number W10446915

In-Line Smart Kit

Order Part Number W10692945

Recirculation Kit

(for non-vented installations only)
Order Part Number W10490330

Power Cord Kit

Order Part Number W10613691

3¼" x 10" (8.3 x 25.4 cm) Damper Assembly/Motor Mounting Bracket Kit

(includes screws and rear motor mounting bracket)
(for rear venting only)
Order Part Number W10692946

KITCHENAID® MAJOR APPLIANCE LIMITED WARRANTY

ATTACH YOUR RECEIPT HERE. PROOF OF PURCHASE IS REQUIRED TO OBTAIN WARRANTY SERVICE.

Please have the following information available when you call the Customer eXperience Center:

- Name, address and telephone number
- Model number and serial number
- A clear, detailed description of the problem
- Proof of purchase including dealer or retailer name and address

IF YOU NEED SERVICE:

1. Before contacting us to arrange service, please determine whether your product requires repair. Some questions can be addressed without service. Please take a few minutes to review the Troubleshooting or Problem Solver section of the Use and Care Guide, scan the QR code on the right to access additional resources, or visit <http://kitchenaid.custhelp.com>.
2. All warranty service is provided exclusively by our authorized KitchenAid Service Providers. In the U.S. and Canada, direct all requests for warranty service to:

KitchenAid Customer eXperience Center

In the U.S.A., call 1-800-422-1230. In Canada, call 1-800-807-6777.

If outside the 50 United States or Canada, contact your authorized KitchenAid dealer to determine whether another warranty applies.



<http://kitchenaid.custhelp.com>

ONE YEAR LIMITED WARRANTY

WHAT IS COVERED

For one year from the date of purchase, when this major appliance is installed, operated and maintained according to instructions attached to or furnished with the product, KitchenAid brand of Whirlpool Corporation or Whirlpool Canada LP (hereafter "KitchenAid") will pay for Factory Specified Replacement Parts and repair labor to correct defects in materials or workmanship that existed when this major appliance was purchased, or at its sole discretion replace the product. In the event of product replacement, your appliance will be warranted for the remaining term of the original unit's warranty period.

YOUR SOLE AND EXCLUSIVE REMEDY UNDER THIS LIMITED WARRANTY SHALL BE PRODUCT REPAIR AS PROVIDED HEREIN. Service must be provided by a KitchenAid designated service company. This limited warranty is valid only in the United States or Canada and applies only when the major appliance is used in the country in which it was purchased. This limited warranty is effective from the date of original consumer purchase. Proof of original purchase date is required to obtain service under this limited warranty.

WHAT IS NOT COVERED

1. Commercial, non-residential, multiple-family use, or use inconsistent with published user, operator or installation instructions.
2. In-home instruction on how to use your product.
3. Service to correct improper product maintenance or installation, installation not in accordance with electrical or plumbing codes or correction of household electrical or plumbing (i.e. house wiring, fuses or water inlet hoses).
4. Consumable parts (i.e. light bulbs, batteries, air or water filters, preservation solutions, etc.).
5. Defects or damage caused by the use of non-genuine KitchenAid parts or accessories.
6. Conversion of products from natural gas or L.P. gas.
7. Damage from accident, misuse, abuse, fire, floods, acts of God or use with products not approved by KitchenAid.
8. Repairs to parts or systems to correct product damage or defects caused by unauthorized service, alteration or modification of the appliance.
9. Cosmetic damage including scratches, dents, chips, and other damage to the appliance finishes unless such damage results from defects in materials and workmanship and is reported to KitchenAid within 30 days.
10. Discoloration, rust or oxidation of surfaces resulting from caustic or corrosive environments including but not limited to high salt concentrations, high moisture or humidity or exposure to chemicals.
11. Food or medicine loss due to product failure.
12. Pick-up or delivery. This product is intended for in-home repair.
13. Travel or transportation expenses for service in remote locations where an authorized KitchenAid servicer is not available.
14. Removal or reinstallation of inaccessible appliances or built-in fixtures (i.e. trim, decorative panels, flooring, cabinetry, islands, countertops, drywall, etc.) that interfere with servicing, removal or replacement of the product.
15. Service or parts for appliances with original model/serial numbers removed, altered or not easily determined.

The cost of repair or replacement under these excluded circumstances shall be borne by the customer.

DISCLAIMER OF IMPLIED WARRANTIES

IMPLIED WARRANTIES, INCLUDING ANY IMPLIED WARRANTY OF MERCHANTABILITY OR IMPLIED WARRANTY OF FITNESS FOR A PARTICULAR PURPOSE, ARE LIMITED TO ONE YEAR OR THE SHORTEST PERIOD ALLOWED BY LAW. Some states and provinces do not allow limitations on the duration of implied warranties of merchantability or fitness, so this limitation may not apply to you. This warranty gives you specific legal rights, and you also may have other rights that vary from state to state or province to province.

DISCLAIMER OF REPRESENTATIONS OUTSIDE OF WARRANTY

KitchenAid makes no representations about the quality, durability, or need for service or repair of this major appliance other than the representations contained in this warranty. If you want a longer or more comprehensive warranty than the limited warranty that comes with this major appliance, you should ask KitchenAid or your retailer about buying an extended warranty.

LIMITATION OF REMEDIES; EXCLUSION OF INCIDENTAL AND CONSEQUENTIAL DAMAGES

YOUR SOLE AND EXCLUSIVE REMEDY UNDER THIS LIMITED WARRANTY SHALL BE PRODUCT REPAIR AS PROVIDED HEREIN. KITCHENAID SHALL NOT BE LIABLE FOR INCIDENTAL OR CONSEQUENTIAL DAMAGES. Some states and provinces do not allow the exclusion or limitation of incidental or consequential damages, so these limitations and exclusions may not apply to you. This warranty gives you specific legal rights, and you also may have other rights that vary from state to state or province to province.

SÉCURITÉ DE LA HOTTE DE CUISINIÈRE

Votre sécurité et celle des autres est très importante.

Nous donnons de nombreux messages de sécurité importants dans ce manuel et sur votre appareil ménager. Assurez-vous de toujours lire tous les messages de sécurité et de vous y conformer.



Voici le symbole d'alerte de sécurité.

Ce symbole d'alerte de sécurité vous signale les dangers potentiels de décès et de blessures graves à vous et à d'autres.

Tous les messages de sécurité suivront le symbole d'alerte de sécurité et le mot "DANGER" ou "AVERTISSEMENT". Ces mots signifient :

⚠ DANGER

Risque possible de décès ou de blessure grave si vous ne suivez pas immédiatement les instructions.

⚠ AVERTISSEMENT

Risque possible de décès ou de blessure grave si vous ne suivez pas les instructions.

Tous les messages de sécurité vous diront quel est le danger potentiel et vous disent comment réduire le risque de blessure et ce qui peut se produire en cas de non-respect des instructions.

Avertissements de la proposition 65 de l'État de Californie :

AVERTISSEMENT : Ce produit contient au moins un produit chimique connu par l'État de Californie pour être à l'origine de cancers.

AVERTISSEMENT : Ce produit contient au moins un produit chimique connu par l'État de Californie pour être à l'origine de malformations et autres déficiences de naissance.

IMPORTANTES INSTRUCTIONS DE SÉCURITÉ

AVERTISSEMENT : POUR RÉDUIRE LE RISQUE D'INCENDIE, CHOC ÉLECTRIQUE OU DOMMAGES CORPORELS, RESPECTER LES INSTRUCTIONS SUIVANTES :

- Utiliser cet appareil uniquement dans les applications envisagées par le fabricant. Pour toute question, contacter le fabricant.
- Avant d'entreprendre un travail d'entretien ou de nettoyage, interrompre l'alimentation de la hotte au niveau du tableau de disjoncteurs, et verrouiller le tableau de disjoncteurs pour empêcher tout rétablissement accidentel de l'alimentation du circuit. Lorsqu'il n'est pas possible de verrouiller le tableau de disjoncteurs, placer sur le tableau de disjoncteurs une étiquette d'avertissement proéminente interdisant le rétablissement de l'alimentation.
- Tout travail d'installation ou câblage électrique doit être réalisé par une personne qualifiée, dans le respect des prescriptions de tous les codes et normes applicables, y compris les codes du bâtiment et de protection contre les incendies.
- Ne pas faire fonctionner un ventilateur dont le cordon ou la fiche est endommagé(e). Jeter le ventilateur ou le retourner à un centre de service agréé pour examen et/ou réparation.
- Une source d'air de débit suffisant est nécessaire pour le fonctionnement correct de tout appareil à gaz (combustion et évacuation des gaz à combustion par la cheminée), pour qu'il n'y ait pas de reflux des gaz de combustion. Respecter les directives du fabricant de l'équipement de chauffage et les prescriptions des normes de sécurité - comme celles publiées par la National Fire Protection Association (NFPA) et l'American Society for Heating, Refrigeration and Air Conditioning Engineers (ASHRAE), et les prescriptions des autorités réglementaires locales.
- Lors des opérations de découpage et de perçage dans un mur ou un plafond, ne pas endommager les câblages électriques et les canalisations qui peuvent s'y trouver.
- Les ventilateurs d'évacuation doivent toujours décharger l'air à l'extérieur.

MISE EN GARDE : Cet appareil est conçu uniquement pour la ventilation générale. Ne pas l'utiliser pour l'extraction de matières ou vapeurs dangereuses ou explosives.

MISE EN GARDE : Pour minimiser le risque d'incendie et évacuer adéquatement les gaz, veiller à acheminer l'air aspiré par un conduit jusqu'à l'extérieur - ne pas décharger l'air aspiré dans un espace vide du bâtiment comme une cavité murale, un plafond, un grenier, un vide sanitaire ou un garage.

AVERTISSEMENT : POUR RÉDUIRE LE RISQUE D'INCENDIE, UTILISER UNIQUEMENT DES CONDUITS MÉTALLIQUES.

AVERTISSEMENT : POUR MINIMISER LE RISQUE D'UN FEU DE GRAISSE SUR LA CUISINIÈRE :

- Ne jamais laisser un élément de surface fonctionner à puissance de chauffage maximale sans surveillance. Un renversement/débordement de matière grasseuse pourrait provoquer une inflammation et la génération de fumée. Utiliser une puissance de chauffage moyenne ou basse pour le chauffage d'huile.
- Veiller à toujours faire fonctionner le ventilateur de la hotte lors de la cuisson avec une puissance de chauffage élevée ou lors de la cuisson d'un mets à flamber (à savoir crêpes Suzette, cerise jubilé, steak au poivre flambé).
- Nettoyer fréquemment les ventilateurs d'extraction. Veiller à ne pas laisser la graisse s'accumuler sur les surfaces du ventilateur ou des filtres.
- Utiliser toujours un ustensile de taille appropriée. Utiliser toujours un ustensile adapté à la taille de l'élément chauffant.

AVERTISSEMENT : POUR RÉDUIRE LE RISQUE DE DOMMAGES CORPORELS APRÈS LE DÉCLENCHEMENT D'UN FEU DE GRAISSE SUR LA CUISINIÈRE, APPLIQUER LES RECOMMANDATIONS SUIVANTES :^a

- Placer sur le récipient un couvercle bien ajusté, une tôle à biscuits ou un plateau métallique POUR ÉTOUFFER LES FLAMMES, puis éteindre le brûleur. VEILLER À ÉVITER LES BRÛLURES. Si les flammes ne s'éteignent pas immédiatement, ÉVACUER LA PIÈCE ET APPELER LES POMPIERS.
- NE JAMAIS PRENDRE EN MAIN UN RÉCIPENT ENFLAMMÉ - vous risquez de vous brûler.
- NE PAS UTILISER D'EAU, ni un torchon humide - ceci pourrait provoquer une explosion de vapeur brûlante.
- Utiliser un extincteur SEULEMENT si :
 - Il s'agit d'un extincteur de classe ABC, dont on connaît le fonctionnement.
 - Il s'agit d'un petit feu encore limité à l'endroit où il s'est déclaré.
 - Les pompiers ont été contactés.
 - Il est possible de garder le dos orienté vers une sortie pendant l'opération de lutte contre le feu.

^aRecommandations tirées des conseils de sécurité en cas d'incendie de cuisine publiés par la NFPA.

- **AVERTISSEMENT :** Pour réduire le risque d'incendie ou de choc électrique, ne pas utiliser ce ventilateur avec un quelconque dispositif de réglage de la vitesse à semi-conducteurs.

LIRE ET CONSERVER CES INSTRUCTIONS

EXIGENCES D'INSTALLATION

Outillage et pièces

Rassembler les outils et pièces nécessaires avant d'entreprendre l'installation. Lire et observer les instructions fournies avec chacun des outils de la liste ci-dessous.

Outils nécessaires

- Perceuse
- Foret de 1 1/4" (3,2 cm)
- Foret de 1/8" (3,2 mm) pour avant-trous
- Crayon
- Pince à dénuder ou couteau utilitaire
- Mètre-ruban ou règle
- Pistolet à calfeutrage et composé de calfeutrage résistant aux intempéries
- Tournevis à lame plate
- Tournevis Phillips
- Scie sauteuse ou scie à guichet
- Brides de conduit
- Cisaille de ferblantier
- Compas ou gabarit circulaire

Pièces fournies

Retirer les pièces de l'emballage. Vérifier que toutes les pièces sont présentes.

- 2 - filtres métalliques
- 4 vis de montage de 4,5 x 13 mm
- 2 vis pour clapet de 3,5 x 9,5 mm
- Raccord de transition de 6" (15,2 cm) avec clapet
- 4 vis de 5 x 45 mm
- 4 chevilles d'ancrage de 10 x 60 mm (pour un montage sur le mur)
- 4 - vis de 5,4 x 75 mm (pour chevilles d'ancrage de 10 x 60 mm)
- Adaptateur Torx® T10
- Adaptateur Torx® T20®

Pièces nécessaires

- Câble d'alimentation électrique du domicile
- Serre-câble de 1/2" (12,7 mm) (homologation UL ou CSA)
- 3 connecteurs de fils homologués UL

Installations avec décharge à l'extérieur par le haut :

- Conduit d'évacuation métallique circulaire de 6" (15,2 cm)
- 1 bouche de décharge (décharge à travers le mur ou à travers le toit)

Pour les installations sans évacuation à l'extérieur (recyclage) :

- Ensemble de recyclage référence W10490330 - Voir la section "Assistance ou service" pour commander.
- Conduit d'évacuation métallique circulaire de 6" (15,2 cm)

Installations avec décharge à l'extérieur par l'arrière :

- Conduit d'évacuation métallique rectangulaire de 3 1/4" x 10" (8,3 x 25,4 cm)
- 1 bouche de décharge (décharge à travers le mur ou à travers le toit)
- Ensemble de support de montage pour le moteur/clapet de 3 1/4" x 10" (8,3 cm x 25,4 cm) (Voir "Accessoires" dans la section "Assistance ou service" pour commander)

Pour placards avec cavité au fond :

- 2 tringles d'appui de largeur 2" (5,1 cm). Longueur et épaisseur selon les dimensions de l'encastrement.
- 4 vis à bois à tête plate ou vis à métaux avec rondelles et écrous, pour la fixation des tringles d'appui.

Exigences d'emplacement

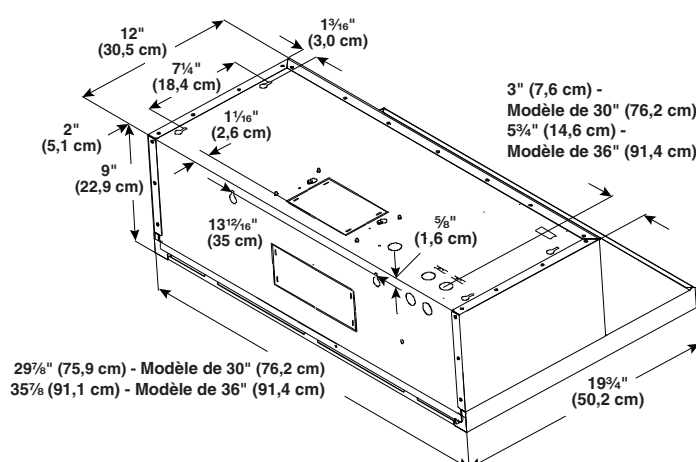
IMPORTANT : Observer les dispositions de tous les codes et règlements en vigueur.

- C'est à l'installateur qu'incombe la responsabilité de respecter les distances de séparation spécifiées sur la plaque signalétique. La plaque signalétique est située à l'intérieur de la hotte, sur la paroi de gauche.
- Installer la hotte de cuisinière à distance de toute zone exposée à des courants d'air, comme fenêtres, portes et bouches de chauffage à fort débit.
- Respecter les dimensions indiquées pour les ouvertures à découper dans les meubles. Ces dimensions tiennent compte des valeurs minimales des dégagements de séparation. Avant d'effectuer des découpages, consulter les instructions d'installation fournies par le fabricant de la table de cuisson/cuisinière.
- Il est recommandé d'utiliser cette hotte avec une table de cuisson dont la puissance totale ne dépasse pas 65 000 BTU.
- Une prise de courant électrique reliée à la terre est nécessaire. Voir la section "Spécifications électriques".
- La hotte de cuisinière a été configurée à l'usine pour l'installation avec décharge à l'extérieur (recyclage). Pour les installations sans décharge à l'extérieur (recyclage), la référence de l'ensemble de recyclage est W10490330. La référence de l'ensemble de filtres à charbon de rechange est W10272068. Voir la section "Assistance ou service" pour commander.
- Assurer l'étanchéité au niveau de chaque ouverture découpée dans le plafond ou le mur pour l'installation de la hotte de cuisinière.

Installation dans une résidence mobile

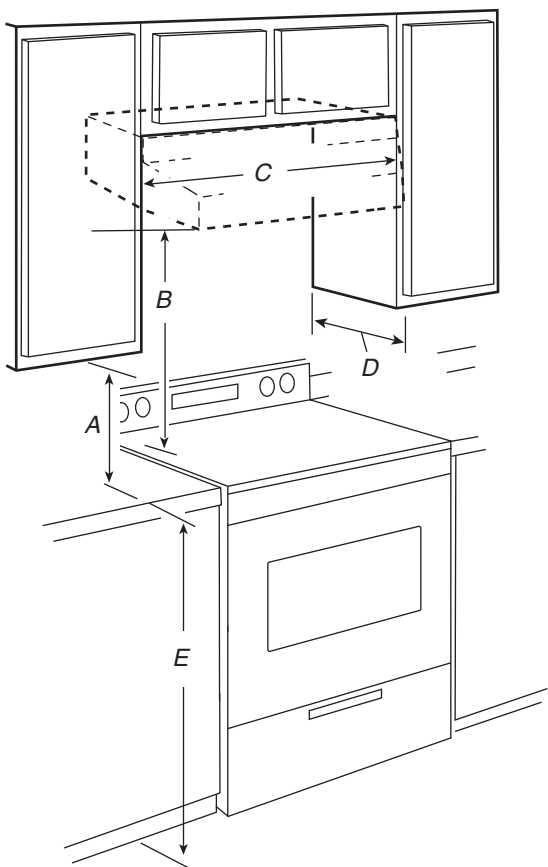
L'installation de cette hotte doit satisfaire aux exigences de la norme Manufactured Home Construction Safety Standards, Titre 24 CFR, partie 328 (anciennement Federal Standard for Mobile Home Construction and Safety, titre 24, HUD, partie 280); lorsque cette norme n'est pas applicable, l'installation doit satisfaire aux critères de la plus récente édition de la norme Manufactured Home Installation 1982 (Manufactured Home Sites, Communities and Setups) ANSI A225.1/NFPA 501A, ou des codes et règlements locaux.

Dimensions du produit



†®TORX et T20 sont des marques déposées de Acument Intellectual Properties,

Distances de dégagement à respecter



- A. Dégagement min. de 18" (45,7 cm) entre le placard supérieur et le plan de travail
- B. 24" (61 cm) min. pour les surfaces de cuisson électriques
27" (68,6 cm) min. pour surfaces de cuisson au gaz
Distance maximale suggérée de 30" (76,2 cm) du bas de la hotte à la surface de cuisson
- C. 30" (76,2 cm) ou 36" (91,4 cm) de largeur minimale pour l'ouverture entre les placards
- D. 12" (30,5 cm) de profondeur de placard minimale
- E. 36" (91,4 cm) de hauteur du placard du bas

Exigences concernant l'évacuation

(Uniquement pour modèles avec évacuation)

- Le circuit d'évacuation doit décharger l'air à l'extérieur, excepté pour les installations sans décharge à l'extérieur (recyclage).
- Ne pas terminer le circuit d'évacuation dans un grenier ou dans un autre espace clos.
- Ne pas utiliser une bouche de décharge murale de 4" (10,2 cm) normalement utilisée pour un équipement de buanderie.
- Utiliser un conduit métallique rond de 6" (15,2 cm) ou un conduit métallique rectangulaire de 3¼" x 10" (8,3 x 25,4 cm). Un conduit en métal rigide est recommandé. Ne pas utiliser de conduit de plastique ou en aluminium.
- La longueur du circuit d'évacuation et le nombre de coudes doivent être réduits au minimum pour des performances optimales.

Pour un fonctionnement efficace et silencieux :

- Ne pas utiliser plus de trois coudes à 90°.
- Veiller à ce qu'il y ait une section droite de conduit d'un minimum de 24" (61 cm) entre les coudes si l'on doit utiliser plus d'un coude.
- Ne pas installer 2 coudes successifs.

- Au niveau de chaque jointure du circuit d'évacuation, assurer l'étanchéité avec les brides de serrage.
- Le circuit d'évacuation doit comporter un clapet anti-reflux. Si la bouche de décharge murale ou par le toit comporte un clapet, ne pas utiliser le clapet fourni avec la hotte de cuisinière.
- À l'aide d'un produit de calfeutrage, assurer l'étanchéité autour de la bouche de décharge à l'extérieur (à travers le mur ou le toit).

Installations pour régions à climat froid

On doit installer un clapet anti-retour supplémentaire à l'arrière pour minimiser le reflux d'air froid et incorporer un élément d'isolation thermique pour minimiser la conduction de chaleur par l'intermédiaire du conduit d'évacuation, de l'intérieur de la maison à l'extérieur. Le clapet anti-retour doit être placé du côté air froid de la résistance thermique.

L'élément d'isolation thermique doit être aussi proche que possible de l'endroit où le circuit d'évacuation s'introduit dans la partie chauffée de la maison.

Air d'appoint

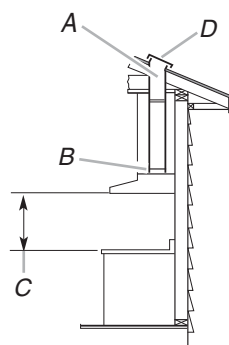
Les codes locaux en bâtiment peuvent imposer l'emploi d'un circuit de renouvellement de l'air/introduction d'air d'appoint, lors de l'utilisation d'un circuit d'aspiration de débit supérieur à une valeur spécifiée en pieds cubes par minute. Le débit spécifié en pieds cubes par minute varie d'une juridiction à l'autre. Consulter un professionnel des installations de chauffage ventilation/climatisation au sujet des exigences spécifiques applicables dans la juridiction locale.

Méthodes d'évacuation

Le système d'évacuation pour évacuation par le haut de la hotte peut décharger à travers le toit ou un mur. Utiliser un conduit métallique circulaire de 6" (15,2 cm). Le système d'évacuation pour évacuation par l'arrière de la hotte doit décharger à travers le mur. Utiliser un conduit rectangulaire de 3¼" x 10" (8,3 x 25,4 cm). Pour une évacuation par l'arrière, il est nécessaire d'utiliser l'ensemble de support de montage pour le moteur/clapet. Voir la section "Assistance ou service" pour commander.

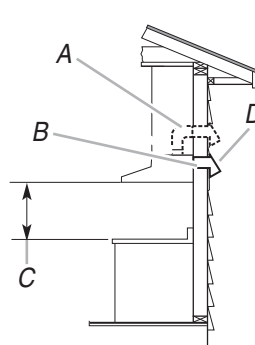
REMARQUE : On déconseille l'emploi d'un conduit flexible. Un conduit flexible peut susciter une rétro-pression et des turbulences de l'air, ce qui réduit considérablement la performance.

Évacuation à travers le toit



- A. Conduit circulaire de 6" (15,2 cm) pour évacuation à travers le toit
- B. Conduit circulaire : Raccord de transition de 6" (15,2 cm) de diamètre.
- C. 24" (61 cm) à 30" (76,2 cm) au-dessus de la surface de cuisson électrique
27" (68,6 cm) à 30" (76,2 cm) au-dessus de la surface de cuisson au gaz
- D. Bouche de décharge sur toit

Évacuation par le mur








- A. Conduit circulaire de 6" (15,2 cm) pour évacuation à travers le mur
- B. 3¼" x 10" (8,3 x 25,4 cm) à travers le mur (à acheter séparément)
- C. 24" (61 cm) à 30" (76,2 cm) au-dessus de la surface de cuisson électrique
27" (68,6 cm) à 30" (76,2 cm) au-dessus de la surface de cuisson au gaz
- D. Bouche de décharge murale

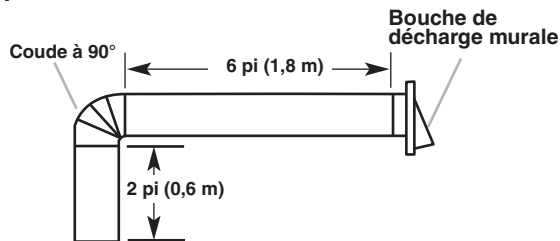
Calcul de la longueur effective du circuit d'évacuation

Pour calculer la longueur effective du circuit d'évacuation nécessaire, additionner les longueurs équivalentes (en pieds ou mètres) de tous les composants utilisés dans le circuit.

Système d'évacuation avec conduits circulaires de 6" (15,2 cm)

| Composant | Circulaire | |
|---|----------------|--|
| Coude à 45° | 2,5 pi (0,8 m) |  |
| Coude à 90° | 5,0 pi (1,5 m) |  |
| Bouche de décharge murale de 6" (15,2 cm) | 0 pi (0 m) |  |
| 3/4" x 10" (8,3 cm x 25,4 cm) à 6" (15,2 cm) | 4,5 pi (1,4 m) |  |
| Raccord coudé à 90° de 3/4" x 10" (8,3 cm x 25,4 cm) à 6" (15,2 cm) | 5 pi (1,5 m) |  |

Exemple de circuit d'évacuation



Longueur maximale recommandée = 50 pi (15,2 m)


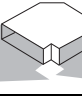

1 coude à 90° = 5,0 pi (1,5 m)

1 bouche de décharge murale = 0 pi (0 m)

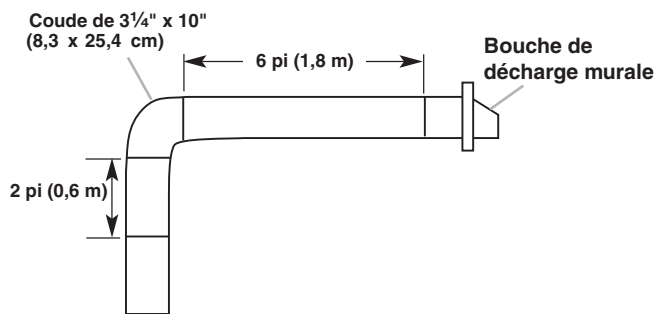
Section droite de 8 pi (2,4 m) = 8,0 pi (2,4 m)

Longueur du système de dia. 7" (17,8 cm) = 13,0 pi (3,9 m)

Système de décharge de 3/4" x 10" (8,3 cm x 25,4 cm)

| Composant | | |
|--|-----------------|---|
| Coude à 90° de 3/4" x 10" (8,3 cm x 25,4 cm) | 5,0 pi (1,5 m) |  |
| Coude plat de 3/4" x 10" (8,3 cm x 25,4 cm) | 12,0 pi (3,7 m) |  |
| Bouche de décharge murale de 3/4" x 10" (8,3 cm x 25,4 cm) | 0 pi (0 m) |  |

Exemple de circuit d'évacuation



Longueur maximale recommandée = 35 pi (10,7 m)

1 coude à 90° = 5,0 pi (1,5 m)

Section droite de 8 pi (2,4 m) = 8,0 pi (2,4 m)

1 bouche de décharge murale = 0 pi (0 m)

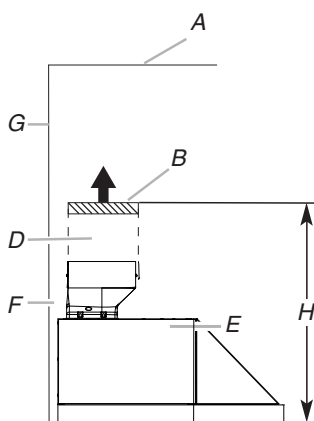
Longueur du système = 13,0 pi (3,9 m)

Installations sans décharge à l'extérieur (recyclage) à travers le soffite/placard

S'il n'est pas possible d'évacuer les fumées et vapeurs de cuisson à l'extérieur, on peut employer la version sans décharge à l'extérieur (recyclage) de la hotte, dotée d'un filtre de recyclage. La référence de l'ensemble de recyclage est W10490330. Voir la section "Assistance ou service" pour commander.

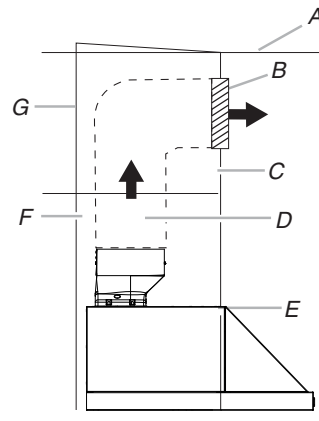
Pour les installations sans décharge à l'extérieur (recyclage) uniquement, la hotte peut être installée avec décharge à l'intérieur du domicile, à travers le sommet du placard ou du soffite.

À travers le placard



A. Plafond
B. Cache-conduit
C. Soffite
D. Conduit de 6" (15,2 cm)
E. Hotte de cuisinière

À travers le soffite



F. Placard
G. Mur
H. 17" (43,2 cm) min. de hauteur de cache-conduit

REMARQUE : Pour des placards de 12" (30,5 cm) de hauteur qui ne comportent pas de soffite, le conduit et cache-conduit de 6" (15,2 cm) peuvent rester visibles.

Spécifications électriques

Observer les dispositions de tous les codes et règlements en vigueur.

S'assurer que l'installation électrique est correcte et qu'elle satisfait aux exigences de la plus récente édition de la norme National Electrical Code, ANSI/NFPA 70, ou de la norme CSA C22. 1-94, Code canadien de l'électricité, partie 1 et C22.2 n° 0-M91 (dernière édition) et de tous les codes et règlements en vigueur.

Si les codes le permettent et si l'on utilise un conducteur distinct de liaison à la terre, il est recommandé qu'un électricien qualifié vérifie la qualité de la liaison à la terre.

Pour obtenir un exemplaire des normes des codes ci-dessus, contacter :

National Fire Protection Association
1 Batterymarch Park
Quincy, MA 02169-7471
CSA International
8501 East Pleasant Valley Road
Cleveland, OH 44131-5575

- L'appareil doit être alimenté par un circuit de 120 V CA seulement, 60 Hz, 15 ampères, protégé par fusible.

- Si le domicile possède un câblage en aluminium, suivre la procédure ci-dessous :

1. Raccorder une section de câble en cuivre massif aux conducteurs en queue de cochon.
2. Connecter le câblage en aluminium à la section ajoutée de câblage en cuivre en utilisant des connecteurs et/ou des outils spécialement conçus et homologués UL pour fixer le cuivre à l'aluminium.

Suivre la procédure recommandée par le fabricant de connecteurs électriques. Les raccordements aluminium/cuivre doivent satisfaire aux prescriptions des codes locaux et de l'industrie, et être conformes aux pratiques de câblage reconnues.

- Le calibre des conducteurs et les connexions doivent être compatibles avec les caractéristiques électriques de l'appareil spécifiées sur la plaque signalétique. La plaque signalétique de l'appareil est située derrière le filtre, sur la paroi arrière de la hotte.
- Le calibre des conducteurs doit être conforme aux exigences du National Electrical Code, de la plus récente édition de la norme ANSI/NFPA 70 ou des normes CSA C22. 1-94, Code canadien de l'électricité, partie 1 et C22.2 n° 0-M91 (édition la plus récente) et de tous les codes et règlements en vigueur.

INSTRUCTIONS D'INSTALLATION

Préparation de l'emplacement

REMARQUE : Pour les installations avec décharge à l'extérieur, on recommande d'installer le circuit d'évacuation avant d'entreprendre l'installation de la hotte.

Avant d'exécuter les découpages, vérifier la disponibilité d'un dégagement suffisant dans le plafond ou le mur pour le conduit d'évacuation.

REMARQUE : L'adaptateur/le clapet d'évacuation peut être installé jusqu'à 1" (2,5 cm) de chaque côté du centre de la hotte pour pouvoir installer les conduits décentrés.

1. Déconnecter la source de courant électrique.
2. Déterminer la méthode d'évacuation à utiliser : à travers le toit ou à travers le mur.

REMARQUE : Pour une évacuation par l'arrière, il est nécessaire d'utiliser l'ensemble de support de montage pour le moteur/clapet. Voir la section "Assistance ou service" pour commander.

3. Choisir une surface plane pour l'assemblage de la hotte. Placer le matériau de protection sur cette surface.

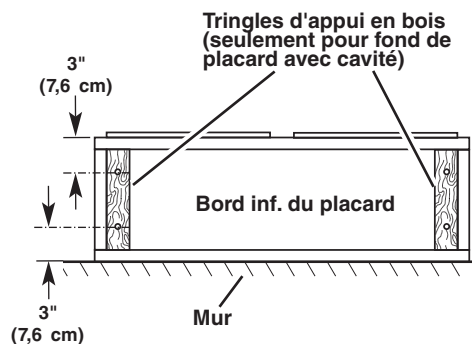
AVERTISSEMENT

Risque du poids excessif

Utiliser deux ou plus de personnes pour déplacer et installer la hotte de la cuisinière.

Le non-respect de cette instruction peut causer une blessure au dos ou d'autre blessure.

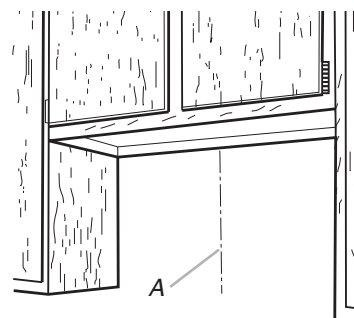
4. À l'aide d'au moins 2 personnes, soulever la hotte et la placer à l'envers sur une surface couverte.
5. Si le fond du placard forme une cavité, ajouter des tringles d'appui en bois de chaque côté. Installer les vis pour fixer les tringles d'appui aux emplacements indiqués.



Déterminer l'emplacement du trou de passage du câble

Percer seulement un trou de passage de 1/4" (3,2 cm) de diamètre pour le câblage. Voir l'étape 2 pour des instructions sur l'emplacement du trou de passage du câblage.

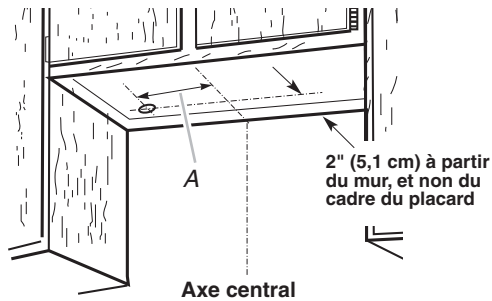
1. Déterminer et tracer clairement l'axe central vertical sur le mur et le placard dans la zone où le passage du conduit d'évacuation sera réalisé.



A. Axe central

2. Câblage à travers le sommet du placard :

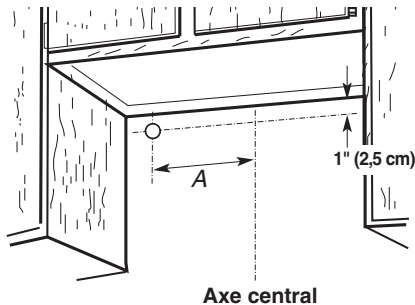
Tracer une ligne de distance "A" à gauche de l'axe central, sur la face inférieure du placard. Sur cette ligne, marquer le point situé à 2" (5,1 cm) du mur arrière. Percer en ce point un trou de 1¼" (3,2 cm) de diamètre à travers le placard.



A. 12" (30,5 cm) pour les modèles de 30" (76,2 cm)
12¼" (31,1 cm) pour les modèles de 36" (91,4 cm)

3. Passage du câble à travers le mur :

Tracer une ligne de distance "A" à partir de la gauche de l'axe central sur le mur. Sur cette ligne, marquer un point à 1" (2,5 cm) du fond du placard. Percer en ce point un trou de 1¼" (3,2 cm) de diamètre à travers la paroi arrière.



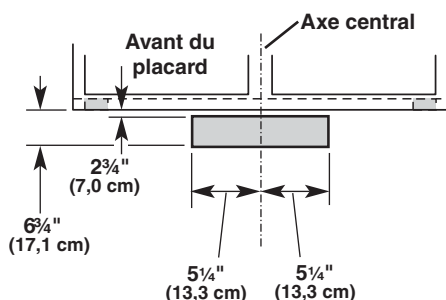
A. 12" (30,5 cm) pour les modèles de 30" (76,2 cm)
12¼" (31,1 cm) pour les modèles de 36" (91,4 cm)

Style 1 - Découpages d'ouverture pour un système d'évacuation rectangulaire de 3¼" x 10" (8,3 cm x 25,4 cm)

Évacuation par le mur

Découpage d'une ouverture rectangulaire de 4" x 10½" (10,2 cm x 26,7 cm) dans le mur :

1. Mesurer 2 lignes de 2¾" (7 cm) et 6¾" (17,1 cm) en descendant à partir de la face inférieure du placard et marquer leur emplacement sur l'axe central du mur arrière.
2. Tracer des lignes à 5¼" (13,3 cm) de part et d'autre de l'axe central sur le mur.
3. Utiliser une scie sauteuse ou une scie à guichet pour découper l'ouverture rectangulaire du système d'évacuation dans le mur.

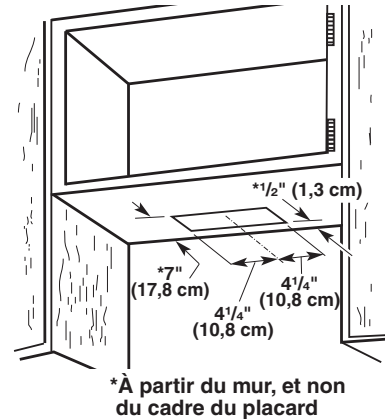


Style 2 - Découpage d'ouverture pour un système d'évacuation rectangulaire à rond de 6" (15,2 cm)

Évacuation à travers le toit, et sans décharge à l'extérieur (recyclage)

Découpage d'une ouverture rectangulaire de 6½" x 8½" (16,5 cm x 26,7 cm) sur la face inférieure du fond du placard :

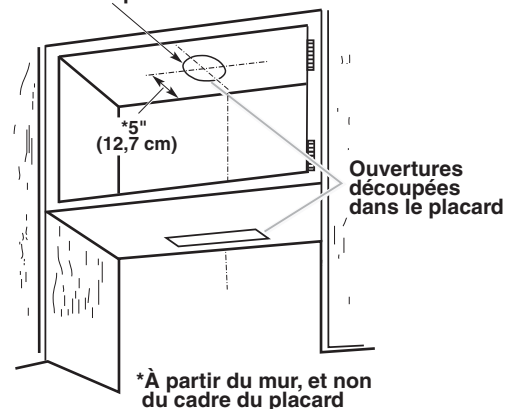
1. Tracer des lignes à ½" (1,3 cm) et 7" (17,8 cm) du mur arrière, sur l'axe central de la face inférieure du placard.
2. Tracer des lignes à 4¼" (10,8 cm) de part et d'autre de l'axe central sur la face inférieure du placard.
3. Utiliser une scie sauteuse ou une scie à guichet pour découper l'ouverture rectangulaire pour le passage du conduit d'évacuation.



Découpage d'une ouverture circulaire sur la face inférieure du sommet du placard :

1. Tracer un axe central sur la face inférieure du sommet du placard.
2. Tracer une ligne de 3¾" (9,5 cm) en partant du mur arrière sur la face inférieure du sommet du placard.
3. Tracer un cercle en utilisant un compas ou un gabarit circulaire de 6¼" (15,2 cm).
4. Utiliser une scie sauteuse ou une scie à guichet pour découper l'ouverture circulaire pour le passage du conduit d'évacuation.

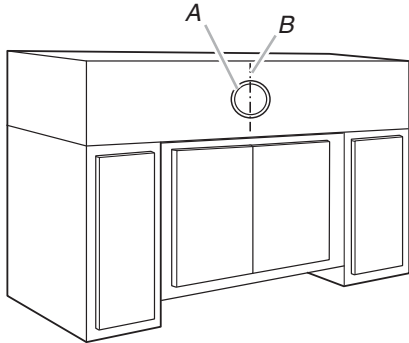
Ouverture pour le conduit circulaire



Installation sans décharge à l'extérieur (recyclage) à travers le soffite/placard

Relever les mesures appropriées et tracer l'axe central du placard jusqu'au soffite situé au-dessus.

Mesurer la distance entre le bas du placard et l'axe central, au point où le conduit d'évacuation ressort du soffite. Indiquer l'emplacement et utiliser une scie sauteuse ou une scie à guichet pour découper un trou de 5 $\frac{3}{4}$ " (14,6 cm) pour le cache-conduit.



A. Cache-conduit
B. Axe central

Installation du conduit d'évacuation

1. Installer le conduit d'évacuation à travers les ouvertures découpées dans le placard ou le mur. Achever l'installation du système d'évacuation conformément à la méthode d'évacuation sélectionnée. Voir la section "Exigences concernant l'évacuation".
2. À l'aide d'un produit de calfeutrage, assurer l'étanchéité autour de la bouche de décharge à l'extérieur (à travers le mur ou le toit).

Installation de l'ensemble de ventilateur déporté intelligent en option

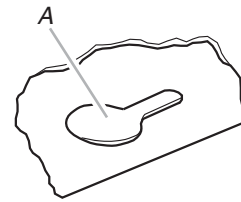
REMARQUE : La hotte peut fonctionner avec un moteur de ventilateur intégré ou externe (déporté). Un ensemble de ventilateur déporté intelligent en option (à acheter séparément) permet d'installer le moteur du ventilateur de la hotte ailleurs qu'à l'intérieur de la hotte.

MISE EN GARDE : Afin de réduire le risque d'incendie et de choc électrique, installer cette hotte de cuisinière uniquement avec l'ensemble de ventilateur déporté intelligent fabriqué par Whirlpool, référence W10692945.

Pour l'installer, consulter les instructions d'installation de l'ensemble de ventilateur déporté intelligent. Voir la section "Assistance ou service" pour commander.

Installation de la hotte

1. Retirer les filtres à graisse. Voir la section "Entretien de la hotte".
2. Retirer la cale d'expédition en mousse de derrière le moteur de ventilateur.
3. Soulever la hotte sous le placard et déterminer sa position d'installation finale en la centrant sous le placard. Sur la face inférieure du placard, marquer l'emplacement des 4 trous allongés pour montage sur la hotte. Placer la hotte à part sur une surface couverte.



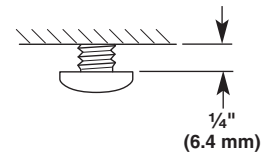
A. Trou allongé

4. À l'aide d'un foret de $\frac{1}{8}$ " (3 mm), percer 4 avant-trous tel qu'illustré.



A. Perçage des avant-trous

5. Installer les 4 vis de montage de 4,5 x 13 mm dans les avant-trous. Laisser un espace d'environ $\frac{1}{4}$ " (6,4 mm) entre les têtes des vis et le placard pour faire glisser la hotte et la mettre en place.



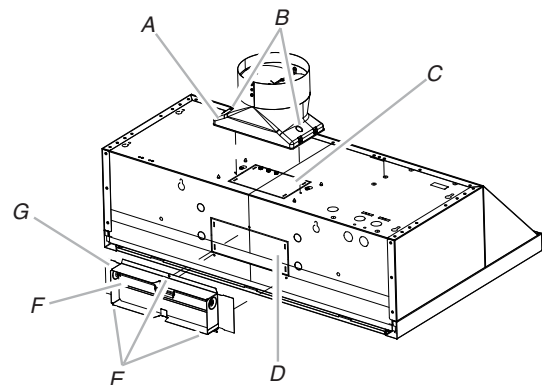
Installation avec connecteur de conduit

Déterminer si la hotte sera installée avec un raccord d'évacuation par le haut ou par l'arrière.

Installation avec connecteur de conduit par le haut

1. Enlever l'opercule arrachable de l'ouverture supérieure.
2. Fixer le clapet du raccord de transition pour conduit circulaire à l'aide de 2 vis de montage du raccord de transition.
3. Enlever le ruban adhésif du volet du clapet.

REMARQUE : Si la bouche de décharge murale est située directement derrière le connecteur de conduit, on doit veiller à empêcher toute interférence entre les clapets du connecteur et de la bouche de décharge murale. En cas d'interférence, supprimer le clapet du connecteur de conduit.

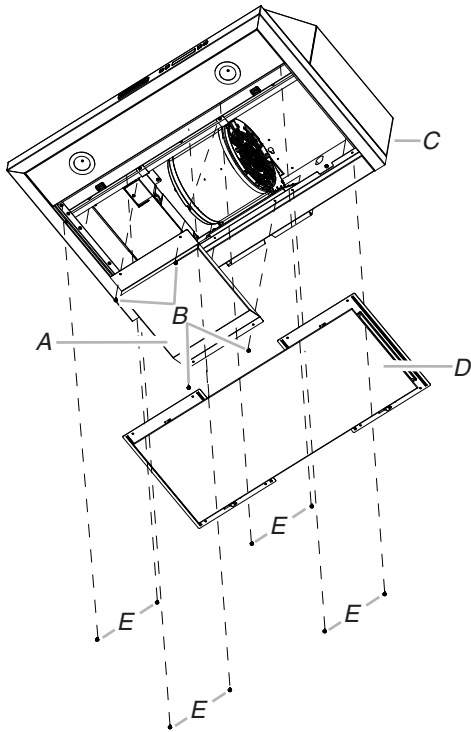


- | | |
|--|---|
| A. Raccord de transition pour conduit circulaire supérieur | D. Opercule amovible arrière du conduit d'évacuation |
| B. Vis de montage du raccord de transition pour conduit circulaire supérieur (2) | E. Vis de montage de l'opercule amovible du raccord de transition rectangulaire arrière (3) |
| C. Opercule amovible supérieur du conduit d'évacuation | F. Axe de charnière |
| | G. Raccord de transition rectangulaire arrière |

Installation avec connecteur de conduit par l'arrière

REMARQUE : Pour une évacuation par l'arrière, la position du moteur du ventilateur doit être modifiée. Cela nécessitera le support de montage pour le moteur arrière inclus avec l'ensemble de support de montage pour le moteur/clapet de 3¼" x 10" (8,3 cm x 25,4 cm) qui doit être acheté séparément. Voir la section "Accessoires et Service" pour commander.

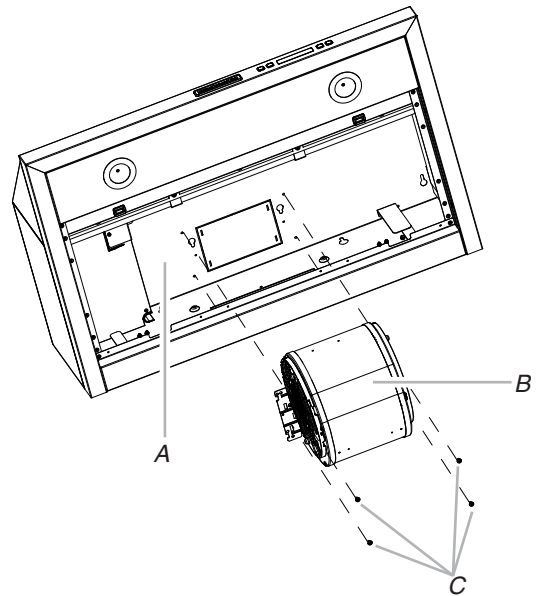
1. Enlever l'opercule arrachable de l'ouverture arrière.
2. Placer la hotte sur le dos.
3. À l'aide d'un tournevis et d'un embout Torx® T10, retirer les 8 vis qui maintiennent en place le panneau inférieur. Enlever le panneau inférieur et le mettre de côté.



A. Couvercle du moteur du ventilateur D. Panneaux inférieurs
B. Vis de montage du couvercle du moteur E. Vis de montage des panneaux inférieurs (4)
C. Arrière de la hotte

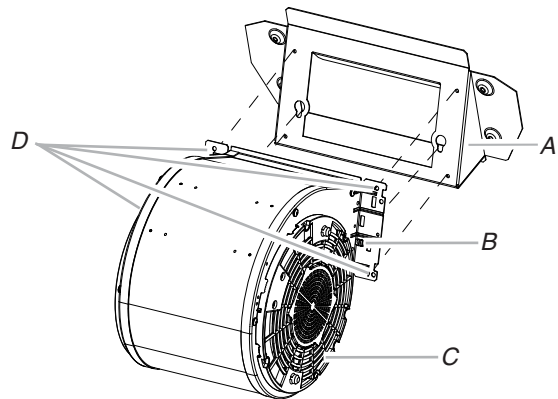
4. Débrancher la prise électrique du moteur du ventilateur du boîtier de connexion.
5. À l'aide d'un tournevis et d'un embout Torx® T10, retirer les 4 vis qui maintiennent en place le couvercle du moteur. Retirer le couvercle du moteur et le mettre de côté.
6. Retirer le panneau isolant arrière et le mettre de côté.

7. À l'aide d'un tournevis et d'un embout Torx® T20®, retirer les 4 vis qui maintiennent en place le moteur du ventilateur. Pousser le moteur du ventilateur vers le haut pour dégager les pattes de montage de l'arrière de la cavité de la hotte. Retirer le moteur du ventilateur et le mettre de côté.



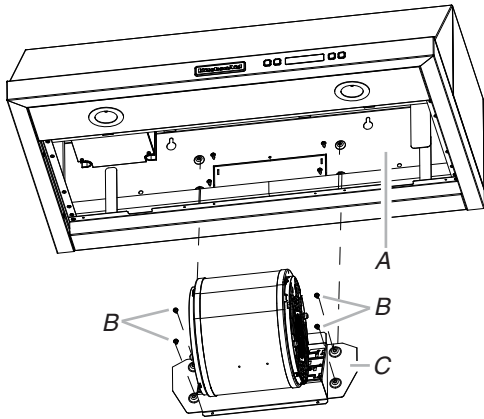
A. Intérieur de la hotte (partie intérieure supérieure)
B. Moteur du ventilateur
C. Vis de montage du moteur du ventilateur

8. Installer le moteur du ventilateur sur le support de montage arrière du moteur (inclus avec l'ensemble de support de montage pour le moteur/clapet de 3¼" x 10" (8,3 cm x 25,4 cm), voir la section "Accessoires et Service" pour commander). Engager les pattes de montage du moteur dans les trous allongés pour montage situés sur le support de montage arrière, et appuyer vers le bas pour verrouiller. Mettre en place les 4 vis retirées lors de l'étape 7, et les serrer pour verrouiller le support du moteur.



A. Support de montage du moteur arrière C. Moteur du ventilateur
B. Pattes de montage du moteur (2) D. Vis de montage du moteur du ventilateur (4)

9. Installer l'ensemble du moteur du ventilateur dans la hotte, et verrouiller à l'aide des 4 vis fournies avec l'accessoire support de montage arrière du moteur.

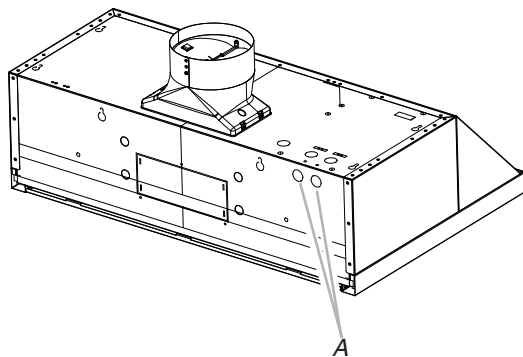


- A. Intérieur de la hotte (partie intérieure supérieure)
 B. Vis de montage du moteur du ventilateur
 C. Ensemble du support de montage du moteur du ventilateur arrière

10. Reconnecter la prise électrique du moteur du ventilateur au boîtier de connexion.
11. Réinstaller le panneau isolant arrière.
12. Réinstaller le couvercle du moteur sur la hotte à l'aide des 4 vis retirées lors de l'étape 3.
13. Réinstaller les panneaux inférieurs sur la hotte à l'aide des 8 vis retirées lors de l'étape 2.
14. Fixer le clapet du raccord de transition rectangulaire de 3¼" x 10" (8,3 cm x 25,4 cm) (achat séparé) à l'aide de 3 vis de montage du raccord de transition. Veiller à ce que le pivot du clapet soit le plus proche possible du bord supérieur arrière de la hotte. Voir l'illustration du connecteur d'évacuation sous "Installation du connecteur d'évacuation supérieur" dans la présente section.

Installation de la hotte dans le placard

1. Ôter l'opercule circulaire pour le passage du serre-câble du sommet ou de l'arrière de la hotte de ventilation (selon l'emplacement du câblage) et installer un serre-câble de ½" homologué UL ou CSA.



A. Opercule amovible rond

2. À l'aide de deux personnes, soulever la hotte et la placer à son emplacement définitif. Insérer suffisamment de câble électrique dans le serre-câble pour pouvoir établir les connexions dans la boîte de connexion. Serrer les vis du serre-câble.
3. Positionner les trous allongés de la hotte par-dessus la tête des vis de montage. Puis pousser la hotte vers le mur pour engager la partie étroite des trous sur les vis de fixation. La hotte doit être placée contre le mur. Serrer les vis de montage en s'assurant que les vis se trouvent dans la partie étroite des trous allongés.
4. Le cas échéant, vérifier que le clapet peut manœuvrer librement vers le haut et vers le bas.
5. Raccorder le circuit d'évacuation à la hotte. Assurer l'étanchéité des jointures avec des brides pour conduits.

Raccordement électrique

⚠ AVERTISSEMENT



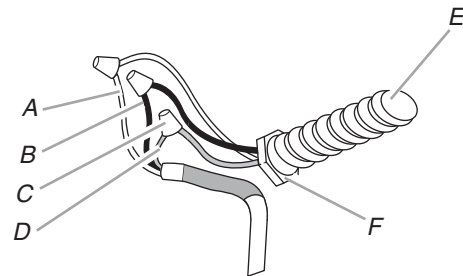
Risque de choc électrique

Déconnecter la source de courant électrique avant l'entretien.

Replacer pièces et panneaux avant de faire la remise en marche.

Le non-respect de ces instructions peut causer un décès ou un choc électrique.

1. Déconnecter la source de courant électrique.



- A. Conducteurs blancs
 B. Conducteurs noirs
 C. Connecteurs de fils (homologation UL)
 D. Conducteurs verts (ou nus) ou jaunes-verts de liaison à la terre
 E. Câble d'alimentation électrique du domicile
 F. Serre-câble de ½" (homologation UL ou CSA)

2. Connecter ensemble les conducteurs noirs (B) avec des connecteurs de fils (homologation UL).

3. Connecter ensemble les conducteurs blancs (A) avec des connecteurs de fils (homologation UL).

⚠ AVERTISSEMENT



Risque de choc électrique

Relier le ventilateur à la terre.

Brancher le fil relié à la terre au fil vert et jaune relié à la terre dans la boîte de la borne.

Le non-respect de ces instructions peut causer un décès ou un choc électrique.

4. Connecter le conducteur vert (ou nu) de mise à la terre du câble d'alimentation du domicile au conducteur jaune-vert (D) de liaison à la terre dans le boîtier de connexion à l'aide de connecteurs de fils (homologation UL).
5. Installer le couvercle du boîtier de connexion.
6. Reconnecter la source de courant électrique.

Installations avec l'ensemble du cordon d'alimentation en option

Pour les installations avec l'ensemble du cordon d'alimentation facultatif, suivre les instructions fournies avec l'ensemble du cordon d'alimentation. Voir la section "Assistance ou service" pour plus d'informations sur le processus de commande.

REMARQUE : Utiliser uniquement avec des nécessaires de raccordement du cordon d'alimentation de la hotte de cuisinière dont l'utilisation a été testée et déclarée adéquate pour ce modèle de hotte de cuisinière.

Achever l'installation

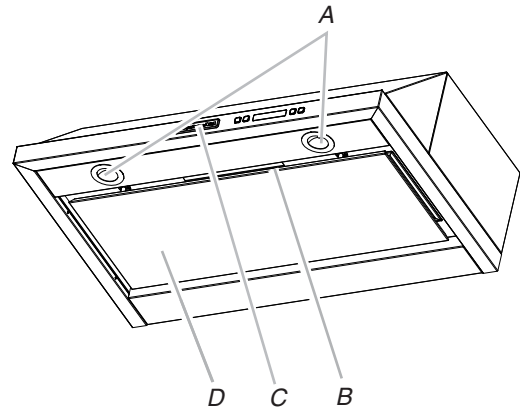
1. Réinstaller les filtres à graisse. Voir la section "Entretien de la hotte".
2. Contrôler le fonctionnement du ventilateur et des lampes de la hotte. Voir la section "Utilisation de la hotte".
Si la hotte ne fonctionne pas, déterminer si un disjoncteur s'est ouvert ou si un fusible du domicile est grillé. Déconnecter la source de courant électrique et inspecter les connexions du câblage.

REMARQUE : Pour pouvoir tirer le plus grand parti de la nouvelle hotte de cuisinière, lire la section "Utilisation de la hotte".

UTILISATION DE LA HOTTE

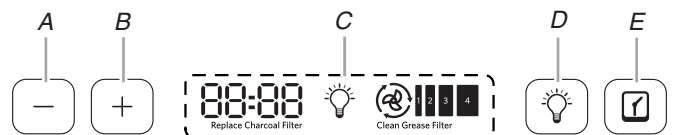
La hotte de cuisinière est conçue pour extraire fumée, vapeurs de cuisson et odeurs de la zone de la table de cuisson. Pour obtenir les meilleurs résultats, mettre le ventilateur de la hotte en marche avant d'entreprendre une cuisson, et laisser le ventilateur fonctionner pendant plusieurs minutes après l'achèvement d'une cuisson pour pouvoir évacuer de la cuisine toute trace de fumée ou d'odeurs de cuisson.

Les commandes de la hotte sont situées au centre de celle-ci.



A. Logements des lampes DEL
B. Poignée du plateau à graisse
C. Commandes du ventilateur et de l'éclairage
D. Filtre à graisse

Tableau de commande



A. Diminution de la puissance
B. Augmentation de la puissance
C. Affichage
D. Éclairage
E. Minuterie

Affichage

Alarme de saturation du filtre à graisse

Après 30 heures de fonctionnement du ventilateur, l'affichage indique "Clean Grease Filter" (nettoyer le filtre à graisse) lorsque le ventilateur est activé. Lorsque cette icône apparaît sur l'affichage, les filtres à graisse installés doivent être lavés. Voir la section "Entretien de la hotte".

- Pour réinitialiser l'alarme de saturation du filtre à graisse, appuyer sur le bouton Power Increase (augmentation de la puissance) pendant 5 secondes. L'icône "Clean Grease Filter" (nettoyer le filtre à graisse) disparaît de l'affichage.

Alarme de saturation du filtre à charbon

Après 120 heures de fonctionnement du ventilateur, l'affichage indique "Replace Charcoal Filter" (remplacer le filtre à charbon) lorsque le ventilateur est activé. Lorsque cette icône apparaît sur l'affichage, les filtres à charbons doivent être remplacés. Voir la section "Entretien de la hotte".

- Pour réinitialiser l'alarme de saturation du filtre à charbon, appuyer sur le bouton Diminution de la puissance pendant 5 secondes. L'icône "Replace Charcoal Filter" (remplacer le filtre à charbon) disparaît de l'affichage.

Activation et désactivation du signal sonore

Les signaux sonores peuvent être activés ou désactivés en appuyant sur le bouton Éclairage pendant 5 secondes.

- Si le signal sonore a été activé, un signal sonore retentit et le symbole "Snd" (son) apparaît sur l'affichage pendant 3 secondes.
- Si le signal sonore a été désactivé, le symbole "Snd" (son) apparaît sur l'affichage pendant 3 secondes.

Inclusion et exclusion du filtre à charbon (accessoire de recyclage)

Lorsque le filtre à charbon est en cours d'utilisation, (mode recyclage), appuyer sur les boutons Diminution de la puissance et Augmentation de la puissance en même temps pendant 5 secondes. "Able" s'affiche pendant 3 secondes.

Lorsque le filtre à charbon n'est pas utilisé (mode ventilation), appuyer sur les boutons Diminution de la puissance et Augmentation de la puissance en même temps pendant 5 secondes. "None" s'affiche pendant 3 secondes.

- Lorsque le filtre à charbon a été exclu, l'alarme de filtre à charbon est désactivée.
- L'inclusion ou l'exclusion du filtre à charbon doit être sélectionnée pendant que l'éclairage et le moteur de ventilateur sont éteints.

Capteur de chaleur

Le module de commande est équipé d'un capteur de chaleur qui met le ventilateur en marche à la vitesse maximale si la température autour de la zone du module de commande est excessive.

- Que le ventilateur soit activé ou non, il est automatiquement réglé à la vitesse maximale. "Auto" apparaît sur l'affichage pour indiquer que le capteur de chaleur a détecté un niveau de chaleur excessif.

- Lorsque le ventilateur fonctionne en raison d'un niveau de chaleur excessif détecté par le capteur de chaleur, il n'est pas possible de réduire la vitesse du ventilateur.
- Lorsque le niveau de température de la hotte retombe à un niveau normal, le ventilateur retourne au réglage qui avait été effectué avant que le niveau de chaleur excessif ne soit détecté.

Éclairage

Fonctionnement de l'éclairage :

1. Appuyer sur le bouton Éclairage pour allumer les lampes.
2. Appuyer de nouveau sur le bouton Éclairage pour éteindre les lampes.

Minuterie

La minuterie peut être réglée pour une période allant de 1 à 60 minutes. Le réglage par défaut de la minuterie est de 10 minutes.

Utilisation de la minuterie :

1. Appuyer sur le bouton Minuterie pour accéder au mode minuterie. Après 5 secondes, la durée par défaut est automatiquement sélectionnée.
2. Appuyer sur les boutons Diminution de la puissance et Augmentation de la puissance pendant que l'affichage clignote (pendant 5 secondes) pour ajuster la durée souhaitée. S'il l'on appuie de nouveau sur le bouton de la minuterie ou que l'on attend 5 secondes après avoir sélectionné la durée souhaitée, le compte à rebours de la minuterie commence.
3. La minuterie peut être annulée à tout moment en appuyant de nouveau sur le bouton de la minuterie.

REMARQUE : Pendant le réglage de la minuterie, les boutons Diminution de la puissance et Augmentation de la puissance sont réservés à la minuterie. Après la mise en route de la minuterie, les boutons Diminution de la puissance et Augmentation de la puissance peuvent être utilisés pour d'autres fonctions.

Vitesse du ventilateur

Augmentation de la puissance/Activé

Ce bouton sert à mettre en marche le ventilateur ou à augmenter la vitesse du ventilateur.

- Le ventilateur se met en marche si l'on appuie sur le bouton Augmentation de la puissance et que la hotte est désactivée.
- Un signal sonore retentit lorsque le ventilateur atteint sa vitesse maximale.

Diminution de la puissance/Désactivé

- Ce bouton sert à éteindre le ventilateur ou à diminuer la vitesse du ventilateur.

Arrêt minuté du ventilateur

Le système de commande comporte une caractéristique d'arrêt minuté du ventilateur. Lorsqu'elle est activée, elle commande l'arrêt automatique du ventilateur après 10 minutes.

- Appuyer sur le bouton Minuterie pendant 5 secondes pour l'activer. L'icône du ventilateur clignote et l'afficheur présente 10:00 (10 minutes). Le décompte débute ensuite après 3 secondes.

ENTRETIEN DE LA HOTTE

Nettoyage

IMPORTANT : Nettoyer fréquemment la hotte et les filtres à graisse en suivant les instructions suivantes. Réinstaller les filtres à graisse avant de faire fonctionner la hotte.

Surfaces externes :

Afin d'éviter d'endommager la surface externe, ne pas utiliser de tampons en laine d'acier ou de tampons à récurer savonneux.

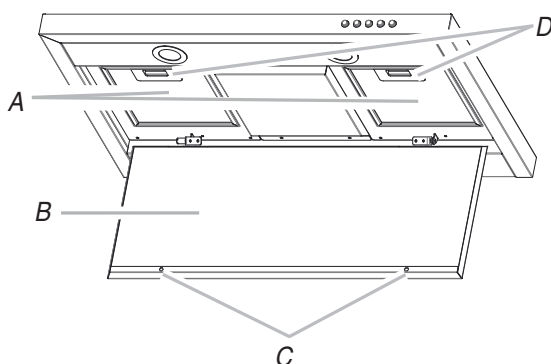
Toujours essuyer pour éviter de laisser des traces d'eau.

Méthode de nettoyage :

- Savon détergent liquide et eau, ou nettoyant tout usage.
- Frotter avec un chiffon doux humide ou une éponge non abrasive, puis rincer avec de l'eau propre et essuyer.

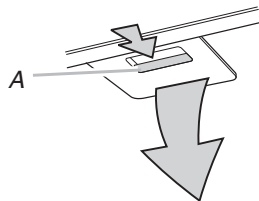
Filtre à graisse métallique :

1. Ouvrir le panneau en acier inoxydable. Saisir le panneau par les coins avant et tirer vers le bas pour dégager les 2 pitons de retenue des loquets à ressort. Le panneau est attaché par l'arrière et pivote vers le bas.



A. Filtres métalliques
B. Panneau en acier inoxydable
C. Pitons de retenue (2)
D. Loquets à ressort (2)

2. Retirer chaque filtre en tirant sur la poignée à ressort puis en tirant le filtre vers le bas.



A. Poignée à ressort

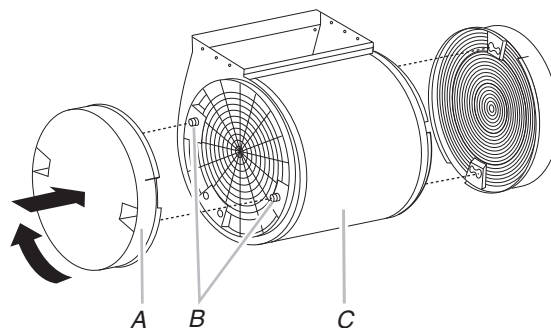
3. Laver les filtres métalliques selon le besoin au lave-vaisselle ou avec une solution de détergent chaude.
4. Réinstaller le filtre en s'assurant que les poignées à ressort sont orientées vers l'avant. Insérer le filtre d'aluminium dans la rainure supérieure.
5. Enfoncer la poignée à ressort.
6. Pousser le filtre métallique vers le haut et relâcher la poignée pour emboîter le loquet.
7. Répéter les étapes 1 à 5 pour l'autre filtre.
8. Fermer le panneau en acier inoxydable. Fixer en engageant les (2) pitons dans les loquets à ressort.

Filtres d'installation sans décharge à l'extérieur (recyclage)

Le filtre à charbon n'est pas lavable. Celui-ci devrait durer pendant 6 mois dans des conditions d'utilisation normales. Remplacer par l'ensemble de filtre à charbon numéroté W10272068.

Remplacement du filtre à charbon :

1. Placer le filtre à charbon sur la grille recouvrant le moteur du ventilateur de façon à ce que les encoches du filtre correspondent aux tiges situées sur les côtés de la grille du moteur.



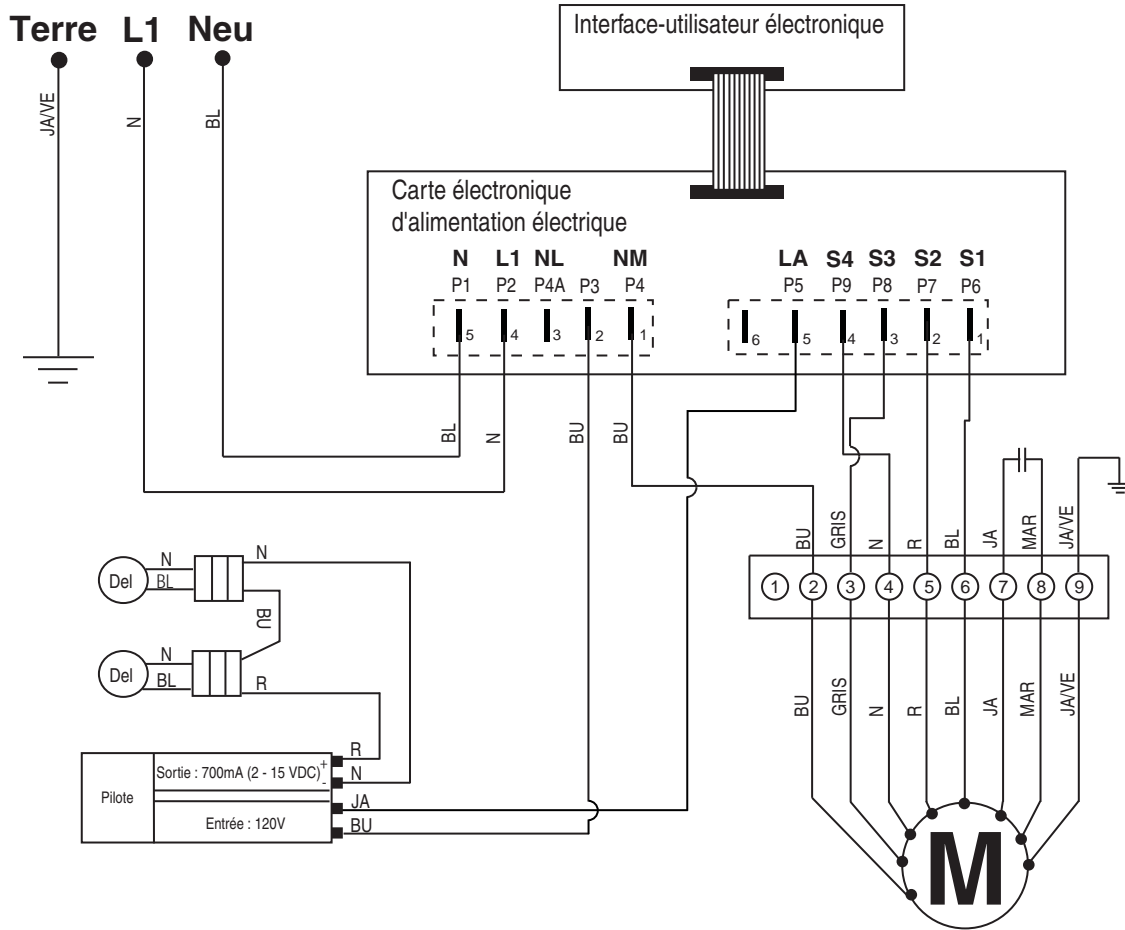
A. Filtre à charbon
B. Tiges
C. Moteur du ventilateur

2. Faire pivoter le filtre à charbon dans le sens horaire pour l'emboîter.
3. Répéter les étapes 1 à 2 pour l'autre filtre.

Remplacement de la lampe DEL

Les lampes DEL doivent être remplacées par un technicien de service qualifié uniquement. Voir la section "Assistance ou service" pour des renseignements de contact sur le service.

SCHÉMA DE CÂBLAGE



| Caractéristiques du moteur | |
|-----------------------------------|---------|
| Alimentation électrique | 120 VAC |
| Fréquence | 60 HZ |
| Absorption de courant | 420 W |
| Résistance du moteur (Ω) | |
| Bleu-Noir | 9,8 |
| Bleu-Gris | 14,3 |
| Bleu-Rouge | 18,0 |
| Bleu-Blanc | 21,6 |

SE133A

ASSISTANCE OU SERVICE

Si vous avez besoin de service

Consulter la page de garantie du présent manuel.

Si vous avez besoin de pièces de rechange

Si vous avez besoin de commander des pièces de rechange, nous vous recommandons d'utiliser seulement des pièces spécifiées par l'usine. Les pièces spécifiées par l'usine conviendront et fonctionneront bien car elles sont fabriquées avec la même précision que celles utilisées pour fabriquer chaque nouvel appareil.

Pour localiser des pièces spécifiées par l'usine dans votre région, composer le numéro de téléphone d'aide à la clientèle suivant ou appeler le centre de service désigné le plus proche.

Au Canada

Veillez appeler sans frais le Centre pour l'eXpérience de la clientèle de Whirlpool Canada LP au : **1-800-807-6777** ou visitez notre site Web à www.kitchenaid.ca.

Nos consultants vous renseigneront sur les sujets suivants :

- Programmation d'une intervention de dépannage. Les techniciens de service désignés par KitchenAid sont formés pour remplir la garantie des produits et fournir un service après garantie partout au Canada.
- Caractéristiques et spécifications sur toute notre gamme d'appareils électroménagers.
- Références aux marchands locaux.
- Consignes d'utilisation et d'entretien.
- Vente d'accessoires et de pièces de rechange.

Pour plus d'assistance

Si vous avez besoin de plus d'assistance, vous pouvez soumettre par écrit toute question ou préoccupation à Whirlpool Canada LP à l'adresse suivante :

Centre pour l'eXpérience de la clientèle
Whirlpool Canada LP
200 - 6750 Century Ave.
Mississauga, Ontario L5N 0B7

Veillez inclure dans votre correspondance un numéro de téléphone où l'on peut vous joindre dans la journée.

Accessoires

Ensemble de filtres à charbon (lot de 2 filtres)

(pour installations sans décharge à l'extérieur uniquement)
Commander la référence W10272068

Ensemble d'air de compensation de 6" (15,2 cm)

(consulter les codes du bâtiment local)
Commander la référence W10446915

Ensemble de ventilateur déporté intelligent

Commander la référence W10692945

Ensemble de recyclage

(pour installations sans décharge à l'extérieur uniquement)
Commander la référence W10490330

Ensemble de cordon d'alimentation

Commander la référence W10613691

Ensemble de support de montage pour le moteur/clapet de 3 1/4" x 10" (8,3 x 25,4 cm)

(comprend les vis et le support de montage pour le moteur arrière)
(pour décharge à l'arrière uniquement)
Commander la référence W10692946

GARANTIE LIMITÉE DES GROS APPAREILS MÉNAGERS KITCHENAID®

ATTACHEZ ICI VOTRE REÇU DE VENTE. UNE PREUVE D'ACHAT EST OBLIGATOIRE POUR OBTENIR L'APPLICATION DE LA GARANTIE.

Lorsque vous appelez le centre d'eXpérience de la clientèle, veuillez garder à disposition les renseignements suivants :

- Nom, adresse et numéro de téléphone
- Numéros de modèle et de série
- Une description claire et détaillée du problème rencontré
- Une preuve d'achat incluant le nom et l'adresse du marchand ou du détaillant

SI VOUS AVEZ BESOIN DE SERVICE :

1. Avant de nous contacter pour obtenir un dépannage, veuillez déterminer si des réparations sont nécessaires pour votre produit. Certains problèmes peuvent être résolus sans intervention de dépannage. Prenez quelques minutes pour parcourir la section Dépannage ou Résolution de problèmes du guide d'utilisation et d'entretien, scannez le code QR ci-contre avec votre téléphone intelligent pour accéder à des ressources supplémentaires, ou rendez-vous sur le site <http://www.kitchenaid.ca>.
2. Tout service sous garantie doit être effectué exclusivement par nos fournisseurs de dépannage autorisés KitchenAid. Aux É.-U. et au Canada, dirigez toutes vos demandes de service sous garantie au

Centre d'eXpérience de la clientèle KitchenAid

Aux É.-U., composer le 1-800-422-1230. Au Canada, composer le 1-800-807-6777.

Si vous résidez à l'extérieur du Canada et des 50 États des États-Unis, contactez votre marchand KitchenAid autorisé pour déterminer si une autre garantie s'applique.



<http://www.kitchenaid.ca>

CE QUI EST COUVERT

Pendant un an à compter de la date d'achat, lorsque ce gros appareil ménager est installé, utilisé et entretenu conformément aux instructions jointes à ou fournies avec le produit, la marque KitchenAid de Whirlpool Corporation ou Whirlpool Canada, LP (ci-après désignées "KitchenAid") décidera à sa seule discrétion de remplacer le produit ou de couvrir le coût des pièces spécifiées par l'usine et de la main-d'œuvre nécessaires pour corriger les vices de matériaux ou de fabrication qui existaient déjà lorsque ce gros appareil ménager a été acheté. S'il est remplacé, l'appareil sera couvert pour la période restant à courir de la garantie limitée d'un an du produit d'origine.

LE SEUL ET EXCLUSIF RECOURS DU CLIENT DANS LE CADRE DE LA PRÉSENTE GARANTIE LIMITÉE CONSISTE EN LA RÉPARATION PRÉVUE PAR LA PRÉSENTE. Le service doit être fourni par une compagnie de service désignée par KitchenAid. Cette garantie limitée est valide uniquement aux États-Unis ou au Canada et s'applique exclusivement lorsque le gros appareil ménager est utilisé dans le pays où il a été acheté. La présente garantie limitée est valable à compter de la date d'achat initial par le consommateur. Une preuve de la date d'achat initial est exigée pour obtenir un dépannage dans le cadre de la présente garantie limitée.

CE QUI N'EST PAS COUVERT

1. Usage commercial, non résidentiel ou par plusieurs familles, ou non-respect des instructions de l'utilisateur, de l'opérateur ou des instructions d'installation.
2. Visite d'instruction à domicile pour montrer à l'utilisateur comment utiliser l'appareil.
3. Visites de service pour rectifier une installation ou un entretien fautifs du produit, une installation non conforme aux codes d'électricité ou de plomberie, ou la rectification de l'installation électrique ou de la plomberie du domicile (ex : câblage électrique, fusibles ou tuyaux d'arrivée d'eau du domicile).
4. Pièces consommables (ex : ampoules, batteries, filtres à air ou à eau, solutions de conservation, etc.).
5. Défauts ou dommage résultant de l'utilisation de pièces ou accessoires KitchenAid non authentiques.
6. Conversion de votre produit du gaz naturel ou du gaz de pétrole liquéfié.
7. Dommages causés par : accident, mésusage, abus, incendie, inondations, catastrophe naturelle ou l'utilisation de produits non approuvés par KitchenAid.
8. Réparations aux pièces ou systèmes dans le but de rectifier un dommage ou des défauts résultant d'une réparation, altération ou modification non autorisée faite à l'appareil.
9. Défauts d'apparence, notamment les éraflures, traces de choc, fissures ou tout autre dommage subi par le fini de l'appareil ménager, à moins que ces dommages ne résultent de vices de matériaux ou de fabrication et ne soient signalés à KitchenAid dans les 30 jours suivant la date d'achat.
10. Décoloration, rouille ou oxydation des surfaces résultant d'environnements caustiques ou corrosifs incluant des concentrations élevées de sel, un haut degré d'humidité ou une exposition à des produits chimiques (exemples non exhaustifs).
11. Perte d'aliments ou de médicaments due à la défaillance du produit.
12. Enlèvement ou livraison. Ce produit est conçu pour être réparé à l'intérieur du domicile.
13. Frais de déplacement et de transport pour le dépannage/la réparation dans une région éloignée où une compagnie de service KitchenAid autorisée n'est pas disponible.
14. Retrait ou réinstallation d'appareils inaccessibles ou de dispositifs préinstallés (ex : garnitures, panneaux décoratifs, plancher, meubles, îlots de cuisine, plans de travail, panneaux de gypse, etc.) qui entravent le dépannage, le retrait ou le remplacement du produit.
15. Service et pièces pour des appareils dont les numéros de série et de modèle originaux ont été enlevés, modifiés ou ne peuvent pas être facilement identifiés.

Le coût d'une réparation ou d'un remplacement dans le cadre de ces circonstances exclues est à la charge du client.

CLAUSE D'EXONÉRATION DE RESPONSABILITÉ AU TITRE DES GARANTIES IMPLICITES

LES GARANTIES IMPLICITES, Y COMPRIS LES GARANTIES APPLICABLES DE QUALITÉ MARCHANDE OU D'APTITUDE À UN USAGE PARTICULIER, SONT LIMITÉES À UN AN OU À LA PLUS COURTE PÉRIODE AUTORISÉE PAR LA LOI. Certains États et provinces ne permettent pas de limitation sur la durée des garanties implicites de qualité marchande ou d'aptitude à un usage particulier, de sorte que la limitation ci-dessus peut ne pas être applicable dans votre cas. Cette garantie vous confère des droits juridiques spécifiques et vous pouvez également jouir d'autres droits qui peuvent varier d'une juridiction à l'autre.

EXONÉRATION DE RESPONSABILITÉ DANS LES DOMAINES NON COUVERTS PAR LA GARANTIE

KitchenAid décline toute responsabilité au titre de la qualité, de la durabilité ou en cas de dépannage ou de réparation nécessaire sur ce gros appareil ménager autre que les responsabilités énoncées dans la présente garantie. Si vous souhaitez une garantie plus étendue ou plus complète que la garantie limitée fournie avec ce gros appareil ménager, adressez-vous à KitchenAid ou à votre détaillant pour obtenir les modalités d'achat d'une garantie étendue.

LIMITATION DES RECOURS; EXCLUSION DES DOMMAGES FORTUITS OU INDIRECTS

LE SEUL ET EXCLUSIF RECOURS DU CLIENT DANS LE CADRE DE LA PRÉSENTE GARANTIE LIMITÉE CONSISTE EN LA RÉPARATION PRÉVUE PAR LA PRÉSENTE. KITCHENAID N'ASSUME AUCUNE RESPONSABILITÉ POUR LES DOMMAGES FORTUITS OU INDIRECTS. Certains États et certaines provinces ne permettent pas l'exclusion ou la limitation des dommages fortuits ou indirects de sorte que ces limitations et exclusions peuvent ne pas être applicables dans votre cas. Cette garantie vous confère des droits juridiques spécifiques et vous pouvez également jouir d'autres droits qui peuvent varier d'une juridiction à l'autre.