



Installation Instructions

Outdoor Grill Cart



IMPORTANT:

1. Excessive weight warning - Both the cart and the grill are extremely heavy and this installation assembly process should be accomplished by a minimum of two people.
2. Sheet metal edges can be dangerous in heavy lifting situations, please wear gloves during assembly.
3. To lighten the grill before assembly, remove all individual components.
4. Remove the cart from the shipping pallet before installation assembly.

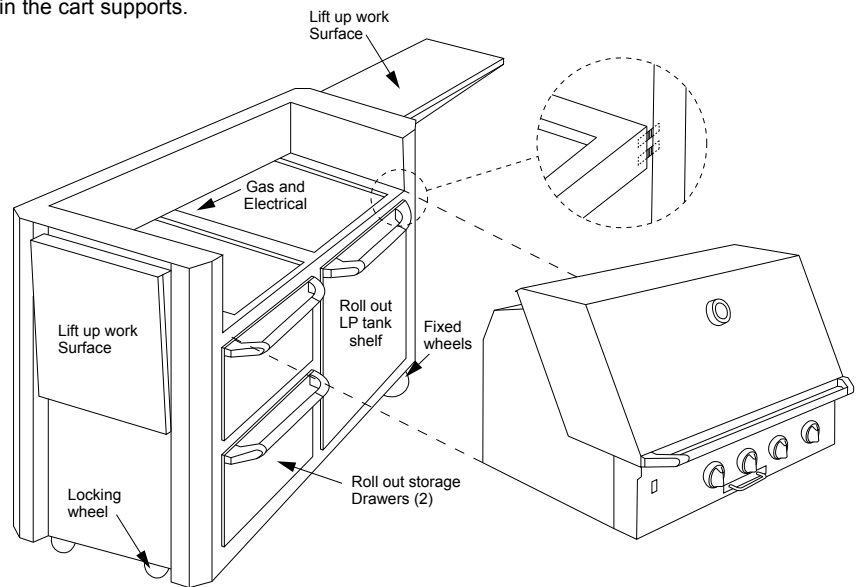
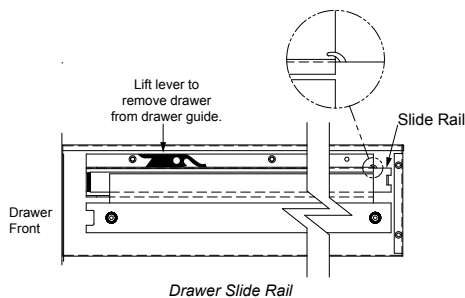


NOTES:

1. The Dacor cart ships assembled ready for the EOG Outdoor Grill installation assembly.
2. All gas and electrical connections should be made after the grill is installed and bolted to the cart.
3. Your cart is prepared for either natural gas or liquid propane gas connections. However, it is important to verify that your EOG was ordered correctly. If you will be utilizing LP gas, your EOG grill must indicate LP in the serial tag identification. Do not proceed with assembly if the EOG model is not correct. Field conversion from one gas type to another is not recommended by Dacor.

Assembly:

1. Remove the cart from the shipping carton and pallet.
2. Set the cart in an open location and lock the wheel on the cart to minimize potential movement. Remove the right side roll out tank shelf.
3. Loosen the two fasteners, located in the front right corner behind the horizontal support, temporarily create a 1/2" gap between the support rail and right side panel (as shown below).
4. Remove the EOG from its shipping carton and pallet. Remember to remove all of the individual components to lighten the appliance.
5. Slide the EOG into the cart making sure that it is back in the opening as far as possible. At this point the mounting holes under the bottom of the EOG should align with the holes in the cart supports.
6. Tighten the two fasteners that were loosened in step 3 before securing the EOG to the cart.



7. Prepare to secure the EOG to the cart by removing the top drawer shelf on the left side of the cart. Once this is out of your way locate the two assembly bolts which are inside the EOG parts package.
8. Install the bolts, then return the left side drawer to its location.
9. Before installing the right side roll out tank shelf, Install the regulator and hose for final gas connection.
10. Proceed to steps 4 and 5 in the EOG installation instructions for the appropriate gas and electrical connections and step 6 to verify proper operation.
11. Install the right side slide out tank shelf.
12. Five gallon LP tanks are the largest recommended tank for installation in the slide out tank storage area.

Shown: OGC36 and EOG36
Length: 41 3/8" (1051mm), Height: 36" (914mm), Width: 26 1/4" (667mm)
Not Shown: OGC52 and EOG52
Length: 57" (1448mm), Height: 36" (914mm), Width: 26 1/4" (667mm)



NOTE:

Dacor offers a protective grill or grill/cart cover. For more information concerning these covers contact your Dacor appliance dealer.