



# Installation Instructions

## 30" Outdoor Grill Cart



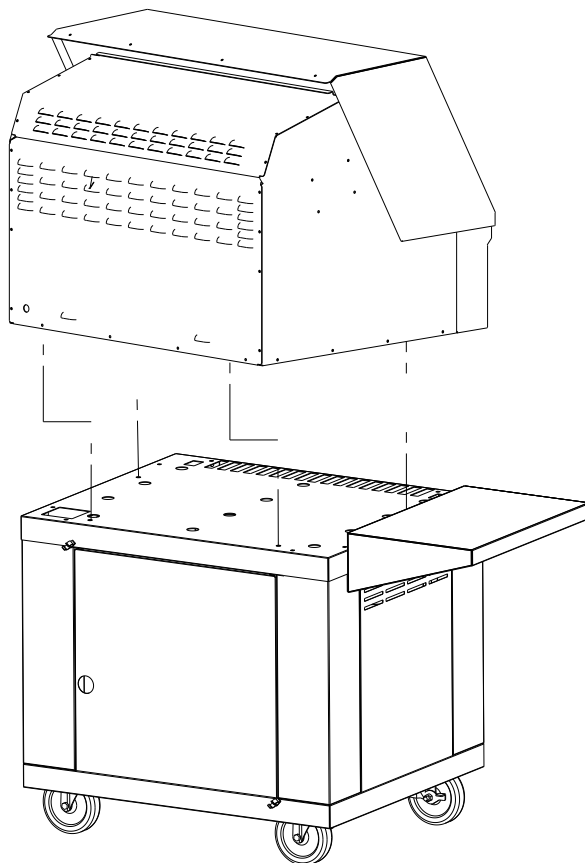
### IMPORTANT:

1. Excessive weight warning - Both the cart and the grill are extremely heavy and this installation assembly process should be accomplished by a minimum of two people.
2. Sheet metal edges can be dangerous in heavy lifting situations, please wear gloves during assembly.
3. To lighten the grill before assembly, remove all individual components.
4. Remove the cart from the shipping pallet before installation assembly.

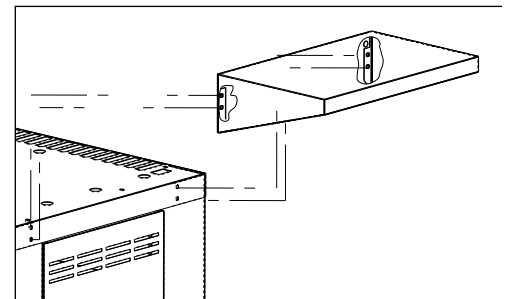


### NOTES:

1. All final gas and electrical connections should be made after the grill is installed and bolted to the cart.
2. Your cart is prepared for either natural gas or liquid propane gas connections. However, it is important to verify that your EOG was ordered correctly. If you will be utilizing LP gas, your EOG grill must indicate LP in the serial tag identification. Do not proceed with assembly if the EOG model is not correct. Field conversion from one gas type to another is not recommended by Dacor.



*OGC30 and EOG303 Installation*



*Cart Shelf Installation*

### Assembly:

1. Remove the cart from the shipping carton and pallet.
2. Place the cart in a level, open location and lock the front wheels on the cart to minimize potential movement.
3. Install the shelf to the left side of the cart using the four carriage bolts, nuts and washers provided.
4. Remove the EOG from its shipping carton and pallet. Remember to remove all of the individual components to lighten the appliance.
5. Set the grill onto the cart, slightly forward of its final location. This will allow for easier installation of the regulator.
6. Once the grill is in place and the gas connection is accessible from beneath, attach the gas regulator.
7. After the regulator has been installed, carefully slide the grill back to align with the four mounting holes in the cart.
8. Install the 4 bolts to secure the EOG to the cart.
9. Proceed to steps 4 and 5 in the EOG installation instructions for the appropriate gas and electrical connections and step 6 to verify proper operation.
10. Five gallon LP tanks are the largest size recommended for installation in the tank storage area.



### NOTE:

Dacor offers a protective grill or grill/cart cover. For more information concerning these covers contact your Dacor appliance dealer.