

NEW MODEL Orizzonte

The art of ventilation

Designer Collection

LUXURY STYLING

- stainless steel styling
- artistic design, impeccable fit & finish
- 3 halogen bulbs with a dimmer
- hidden dishwasher-safe grease filters
- Easy Cube™ Mounting System

HIGH PERFORMANCE TECHNOLOGY

- Comfort-Panel™ perimetric suction system
- 600 cfm internal PRO™ blower model
- pre-installed Silent Kit™ sound-proofing

STATE OF THE ART CONTROLS

- push-button (LED) electronic controls on panel
- 4 pre-set speeds plus Intensive Power Boost
- 24-hour kitchen anti-pollution mode
- 30 minute delayed shut-down mode
- grease filter saturation indicator

DUCTING OPTIONS

- top 6 " round venting
- convertible to ductless



Size/Color/Model

36 x 30 Stainless (NEW) 630006242



FABER

Faber has redefined the rangehood with the new Orizzonte, a patented stainless steel angled ventilation panel that hangs on the wall behind the cooking surface.

a
c
c
e
s
s
o
r
i
e
s

High Ceiling Chimney Kit

One 40" upper chimney to replace 16
1/8" upper chimney that came with hood

Stainless 620000362

Ductless Conversion Kit

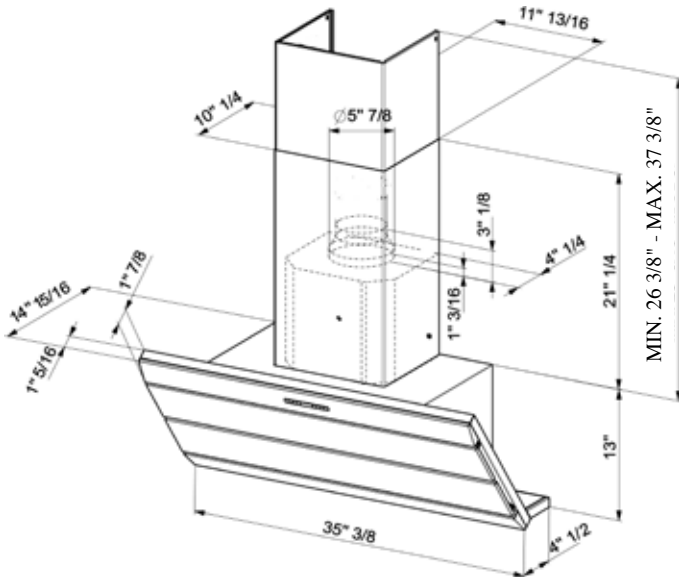
Includes: • Lower Chimney with holes for ducting
• Ductless Diverter Assembly • Vent Grates
• Charcoal Filter

Stainless 620000363

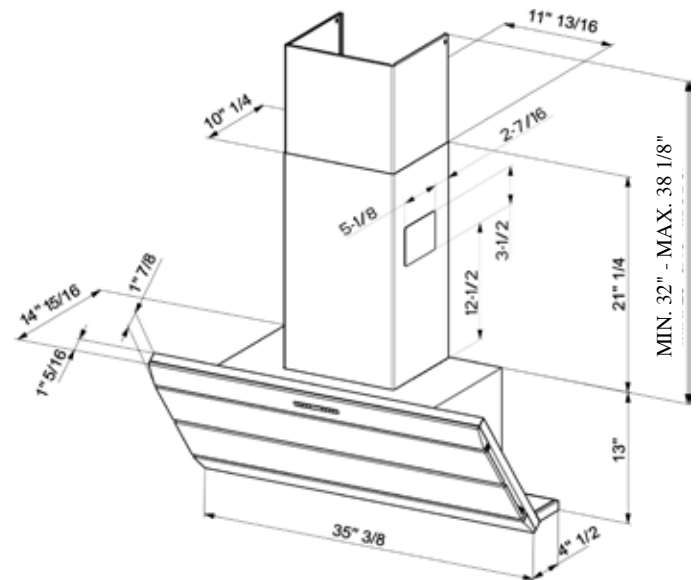
Replacement Charcoal Filter 620000041

Dimensional Diagrams

Ducted



Ductless



Pre-Planning Your Installation - Important: Consult the installation instructions before you begin installing this rangehood.

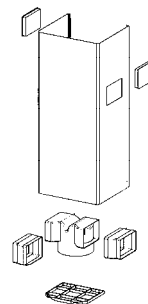
The suggested height to install the hood above the cooktop is **18"**. The Orizzonte chimneys are adjustable and designed to meet varying ceiling heights. The chimneys can be adjusted for ceilings between 7' 10 3/16" - 8' 9 3/16" for ducted installations and between 8' 3 3/16" - 8' 9 15/16" for ductless installations.

For shorter ceilings, have the chimney cover(s) cut at a sheet metal shop. For higher ceiling installations, the **High Ceiling Chimney Kit** includes a new 40" upper chimney which would replace the 16 1/8" upper chimney that came with the hood.

Pre-Planning Your Installation - Important: Consult the installation instructions before you begin installing this rangehood.

Make your ductrun as straight and short as possible. The ductrun should not exceed 35 equivalent feet if ducted with the required minimum of 6" round duct. Count 45° angles as 3 feet, 90° elbows as 5 feet, and 90° flat elbows as 12 feet.

For best results, use no more than three 90° elbows. Make sure that there is a minimum of 24" of straight duct between elbows if more than one is used. Do not install two elbows together. If you must elbow right away, do it as far away from the hood's exhaust opening as possible.



Ductless Installations*

For installations where ductwork is impossible or highly impractical, a **Ductless Conversion Kit** is available. A charcoal filter, which attaches under the blower assembly, absorbs smoke and odors. A ductless diverter assembly directs the air out to a lower chimney with vent grates cut into the sides.

*** it is highly recommended that professional style cooking always be vented to the outside.**