

SPARE PARTS CATALOG

OFFICE PRO 24



MOVINCOOL®
THE #1 SPOT COOLING SOLUTION

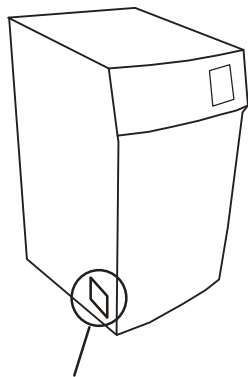
DocID: 00G00091EB

Table of Contents

No.	UNIT PART NUMBER	SERIAL NUMBER RANGE	REFRIGERANT	SECTION
1	GX484000-3681	0112XXXX240 to Present	R410A	Page 3 to 13 SP0071-01
2	GX484000-3680	0407XXXX240 to 1211XXXX240	R410A	Page 15 to 25 SP0025-02
3	LA484000-3410	0100XXXX240 to 0307XXXX240	R22	Page 27 to 37 SP0024-02
	LA484000-2390			

SERIAL NUMBER LOCATION AND IDENTIFICATION

Nameplate Label



Nameplate Label Position

COOLING AMPS. WITH PUMP	<input type="text"/>				
COMPR. OUTPUT	<input type="text"/>				
REFRIGERANT/TOTAL CHARGE	<input type="text"/>				
DESIGN PRESSURE LO/HI	<input type="text"/>				
PART NO./WEIGHT	<input type="text"/>				
SERIAL NO.	<table border="1"> <tbody> <tr> <td>▲▲</td> <td>□□</td> <td>XXXX</td> <td>###</td> </tr> </tbody> </table>	▲▲	□□	XXXX	###
▲▲	□□	XXXX	###		

Month
Year

Model
Sequential
Number

© 2015 DENSO PRODUCTS AND SERVICES AMERICAS, INC.

All rights reserved. This book may not be reproduced or copied, in whole or in part, without the written permission of the publisher. DENSO PRODUCTS AND SERVICES AMERICAS, INC. reserves the right to make changes without prior notice. MovinCool®, Office Pro® and SpotCool® are registered trademarks of DENSO Corporation.

OFFICE PRO 24

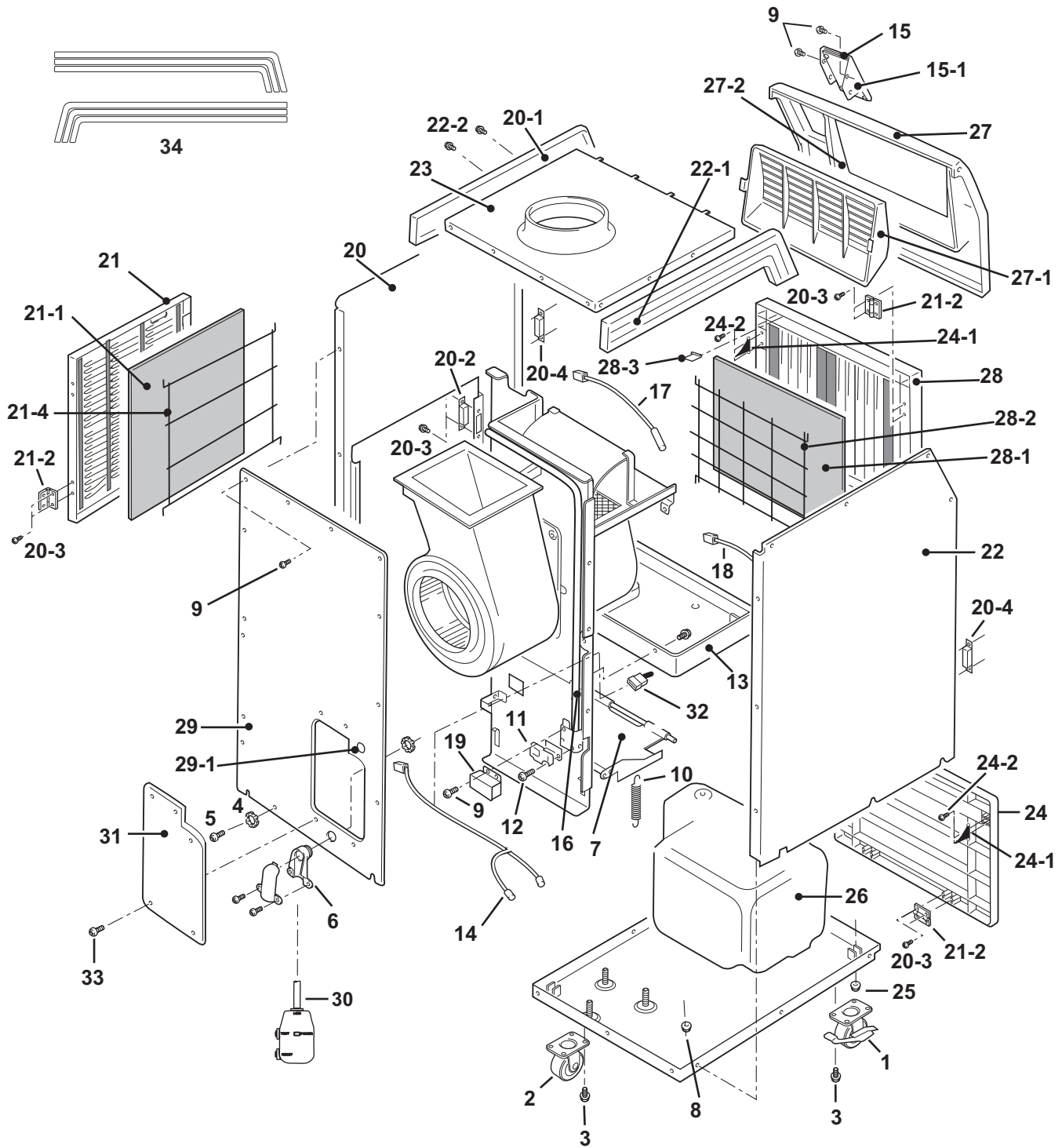
Unit Part No: GX484000-3681

Unit Serial Number Range:

0112XXXX240 to Present

(From January 2012 to Present)

OFFICE PRO 24



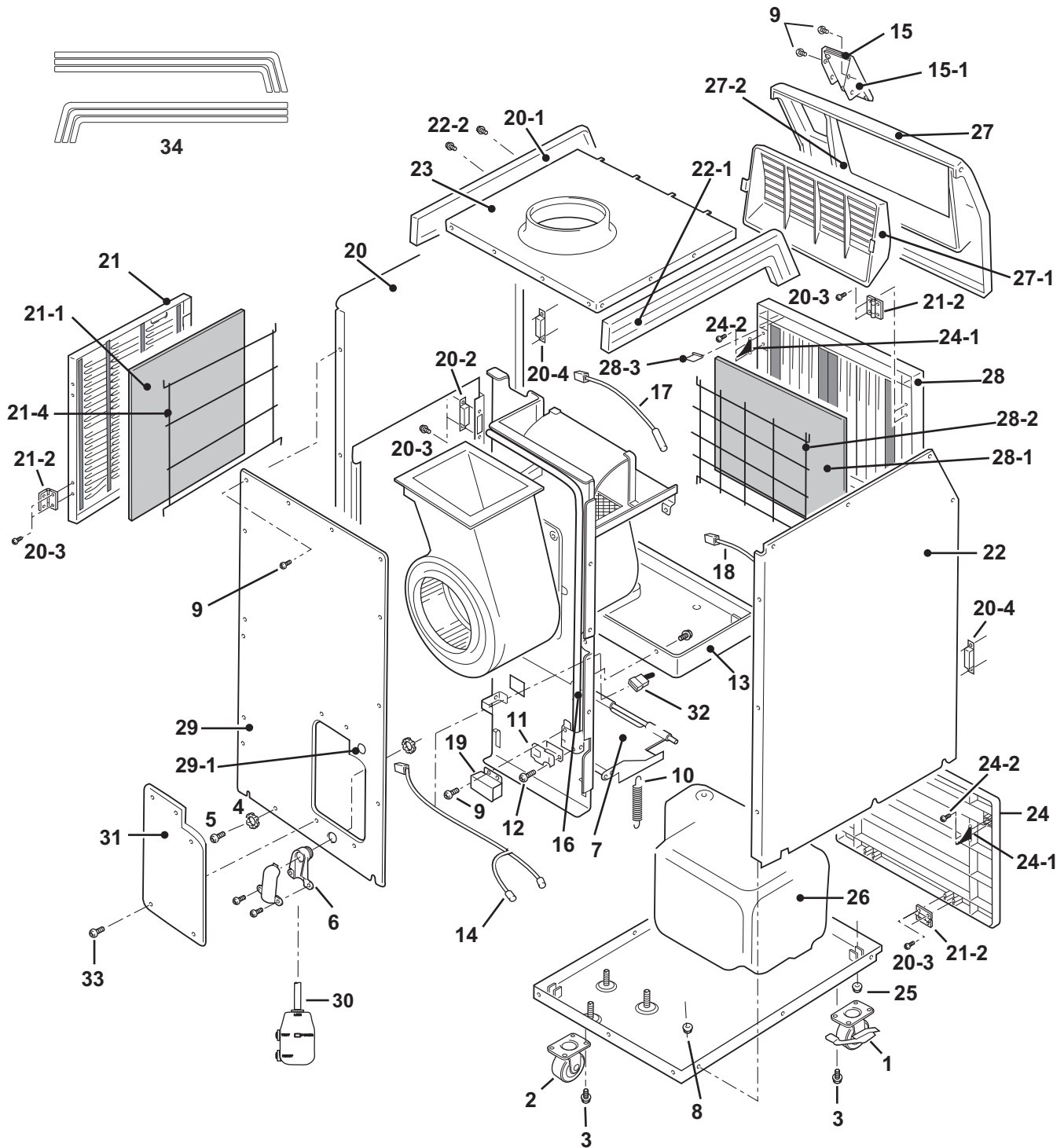
OFFICE PRO 24

ILL. No.	DESCRIPTION	PART No.	QTY.	UNIT SERIAL No. RANGE*	REMARKS
1	Caster w/Brake	LA484702-0330	2		
2	Caster	LA484702-0340	2		
3	Bolt w/Washer	91510-08141	16		M8×1.25, L=14
4	Washer, Plate	90201-06400	1		Ground
5	Screw	90051-06120	1		Ground (M6×1, L=12)
6	Connector (Retainer, Power Cord)	LA484506-0090	1		
7	Frame Sub-Assy	LA484310-3600	1		For Drain Tank
8	Nut	949056-1501	7		M4×0.7
9	Screw	949006-5850	46		M4×0.7, L=10
10	Spring, Tension Coil	949171-2090	2		For Drain Tank
11	Switch, Drain Tank	LA484502-0380	1		
12	Screw w/Washer	91310-03161	2		M3×0.5, L=16
13	Pan Assy, Drain	LA484430-0120	1		
14	Wire Assy	LA484930-8310	1		For Drain Pump
15	Switch Assy	GX484560-1802	1		Operation Panel & PCB w/ILL.NO.15-1
15-1	Cover Assy	GX484420-0430	1		Operation Panel
16	Wire Assy	GX484930-9022	1		Main Harness (RB)↔(CB)
17	Thermistor, Room Temperature	LAY84532-0021	1		
18	Thermistor, Anti-Freeze Up	LAY84532-0011	1		
19	Cover	LA484391-1870	1		
20	Panel Assy	GX484410-8120	1		w/ILL.NO.20-1~20-4
20-1	Right Handle	LA484450-0051	1		
20-2	Holder (Magnet Type)	484927-0990	2		
20-3	Screw	949006-4440	4		M3×0.5, L=8
20-4	Catch	LA481922-0030	3		Door Hook
21	Panel Assy	GX484410-8130	1		Filter Panel Condenser w/ILL.NO.21-1~21-4
21-1	Filter (Condenser)	GX484401-1660	1		
21-2	Hinge	LA484912-0040	6		
21-3	Screw	949006-3300	24		M3×0.5, L=6
21-4	Wire Frame (Condenser)	GX484310-5040	1		
22	Panel Assy, Left	GX484410-8140	1		w/ILL.NO.22-1~22-2
22-1	Left Handle	LA484450-0061	1		
22-2	Screw, Tapping	949001-3530	23		D4, L=10
23	Panel Assy, Top Rear	LA484410-5531	1		
24	Panel Assy	LA484410-5031	1		Tank Door w/ILL.NO.20-3, 21-2, 24-1~24-2
24-1	Holder, Latch (Hook Type)	LA484927-1010	3		Door Hook
24-2	Screw, Tapping	LA949001-1730	4		D4, L=16

*: Please refer to page number 2 for the position of the nameplate showing the serial number on the unit.

"Unit Serial Number Range*" column indicates the first four digits of the unit serial number.

OFFICE PRO 24



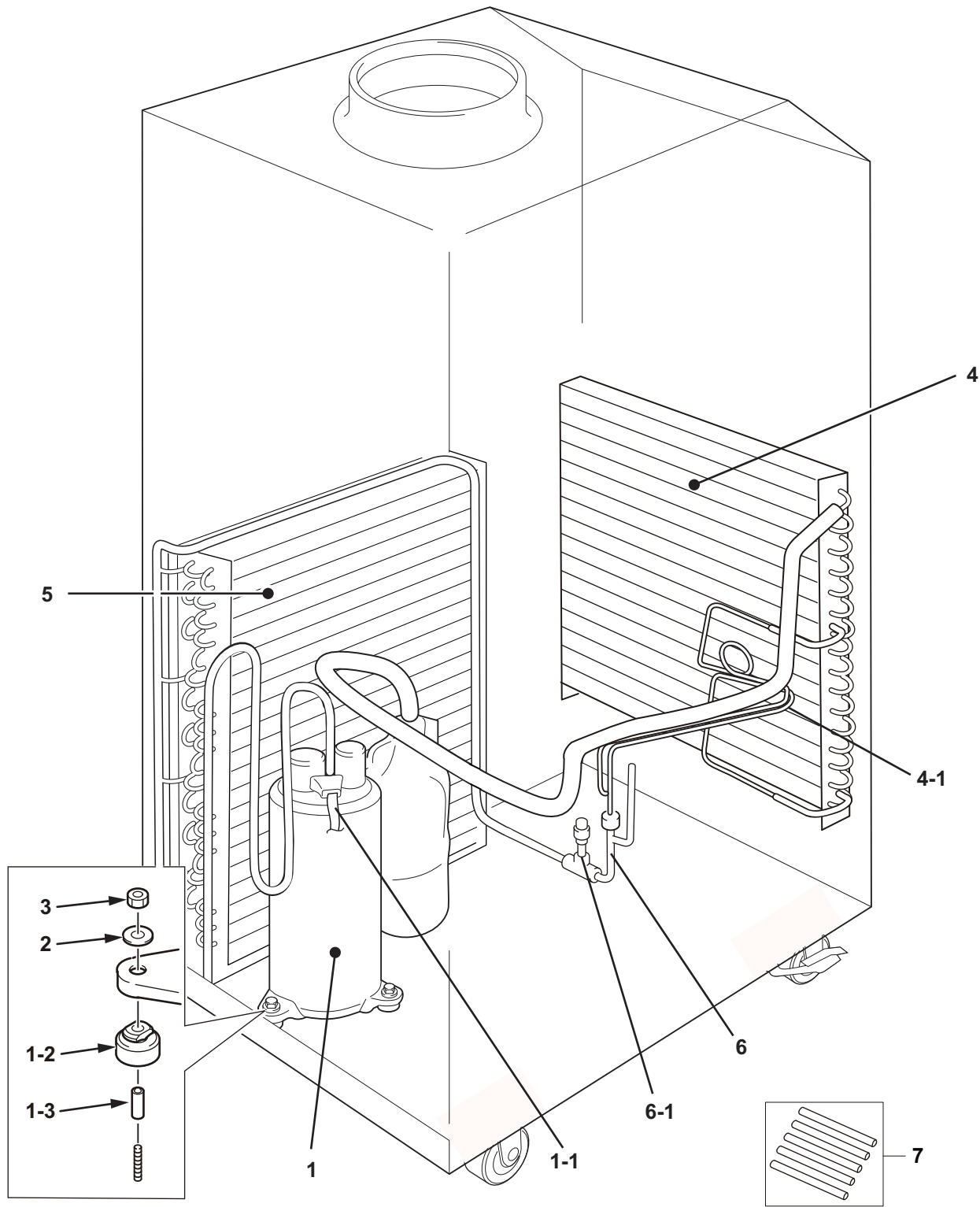
OFFICE PRO 24

ILL. No.	DESCRIPTION	PART No.	QTY.	UNIT SERIAL No. RANGE*	REMARKS
25	Nut	91160-03241	4		M3×0.5
26	Tank, Drain	484731-0021	1		
27	Panel Assy, Top Front	LA484410-5541	1		w/ILL.NO.27-1~27-2
27-1	Air Louver, Outlet	LA480431-0101	1		
27-2	Pin	LA484913-0070	3		
28	Panel Assy, Front Filter	LAY84410-0021	1		w/ILL.NO.20-3, 21-2, 24-1~24-2, 28-1~28-3
28-1	Filter	LA484401-1160	1		
28-2	Wire Frame (Evaporator)	LAY84310-0020	1		
28-3	Clip	LAY84917-0051	2		Holder, Wire Frame
29	Panel Assy, Rear	GX484410-8150	1		w/ILL.NO.29-1
29-1	Cap Cover	GX484926-0700	1		
30	Wire Assy	LA484930-8970	1		Power Cord
31	Panel Assy, Service	GX484410-8160	1		
32	Connector	LA484930-8181	1		Jumper Connector
33	Screw w/Washer	480919-0370	26		M4×0.7, L=10
34	Stripe Kit Assy	LA484003-1110	1		6 each (Both Sides)

*: Please refer to page number 2 for the position of the nameplate showing the serial number on the unit.

"Unit Serial Number Range*" column indicates the first four digits of the unit serial number.

OFFICE PRO 24



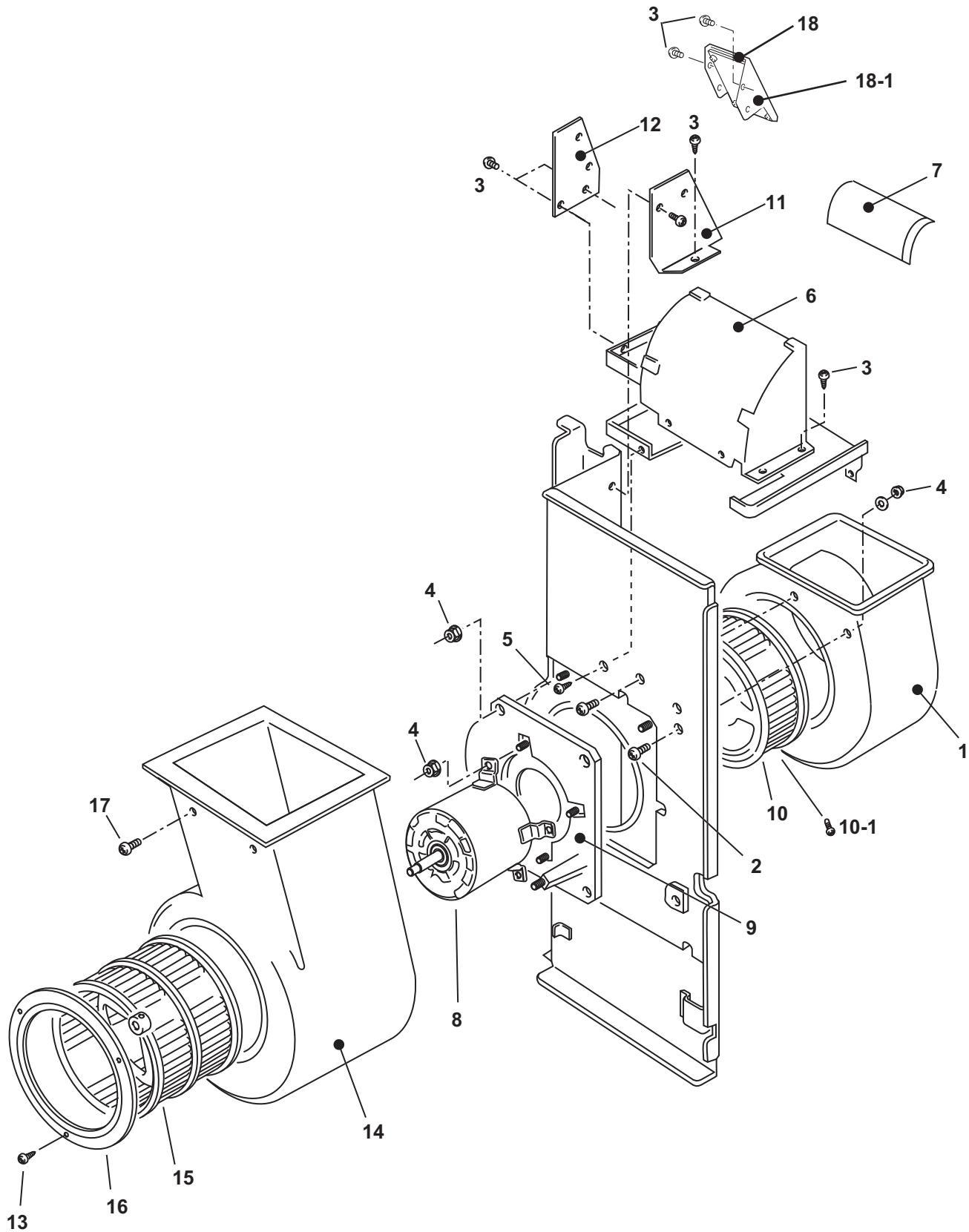
OFFICE PRO 24

ILL. No.	DESCRIPTION	PART No.	QTY.	UNIT SERIAL No. RANGE*	REMARKS
1	Compressor Assy	GX484650-3210	1		w/Pipe for Discharge & Suction w/ILL.NO.1-1~1-3
1-1	Wire Assy	LA484930-7260	1		For Compressor
1-2	Cushion	GX484904-0380	3		
1-3	Collar	GX484915-0410	3		
2	Washer, Steel Plate	949011-5330	3		
3	Nut	90190-08651	3		M8×1.25
4	Core Assy, Evaporator	GX484600-2340	1		w/ILL.NO.4-1
4-1	Pipe Assy, Capillary	GX484800-4480	1		
5	Core Assy, Condenser	GX484600-2130	1		
6	Pipe Assy, Connecting	GX484800-5430	1		w/ILL.NO.6-1
6-1	Switch Assy, Pressure	GX484660-0550	1		
7	Pipe Assy, Charging	484800-0440	1		5 Pieces Per Package

*: Please refer to page number 2 for the position of the nameplate showing the serial number on the unit.

"Unit Serial Number Range*" column indicates the first four digits of the unit serial number.

OFFICE PRO 24



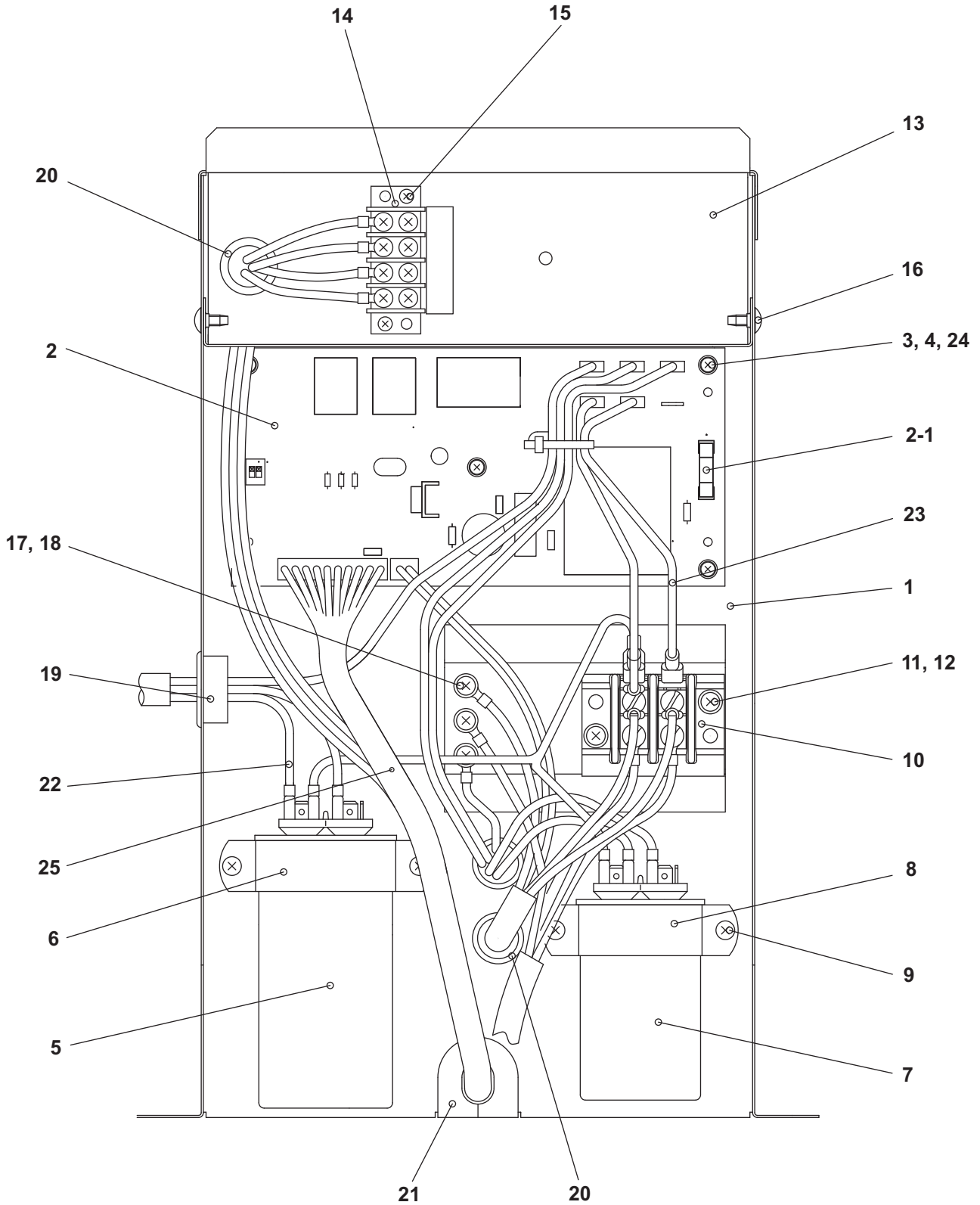
OFFICE PRO 24

ILL. No.	DESCRIPTION	PART No.	QTY.	UNIT SERIAL No. RANGE*	REMARKS
1	Casing, Evaporator Fan	484261-0010	1		
2	Screw w/Washer	91370-06161	4		M6×1, L=16
3	Screw	949006-5850	10		M4×0.7, L=10
4	Nut	949056-1430	12		M6×1
5	Screw, Tapping	949001-1570	7		D4, L=10
6	Deflector, Air	GX484340-3020	1		Upper
7	Deflector, Air	LA484331-718A	1		Lower
8	Fan Motor	LA484211-1481	1		
9	Motor Stay	LA484330-0520	1		
10	Fan, Evaporator	484221-0740	1		
10-1	Bolt, Hexagon	949040-6150	1		M8, L18.5
11	Stay, Control Panel Left	GX484340-3050	1		
12	Stay, Control Panel Right	LA484331-7200	1		
13	Screw w/Washer	91370-04101	3		M4×0.7, L=10
14	Casing Assy, Condenser Fan	LA484260-0310	1		
15	Fan, Condenser	LA484221-0370	1		w/Set Screw
16	Ring Sub-Assy	LA484280-0090	1		
17	Screw w/Washer	949007-3600	2		M4×0.7, L=10
18	Switch Assy	GX484560-1802	1		Operation Panel & PCB w/ILL.NO.18-1
18-1	Cover Assy	GX484420-0430	1		Operation Panel

*: Please refer to page number 2 for the position of the nameplate showing the serial number on the unit.

"Unit Serial Number Range*" column indicates the first four digits of the unit serial number.

OFFICE PRO 24



OFFICE PRO 24

ILL. No.	DESCRIPTION	PART No.	QTY.	UNIT SERIAL No. RANGE*	REMARKS
1	Box Sub-Assy	GX484520-1073	1		
2	Relay Board	GX484500-3590	1		w/ILL.NO.2-1
2-1	Fuse, Relay Board	LAY65765-0030	1		250mA, 250V
3	Spacer	LA484921-0150	5		
4	Screw w/Washer	91370-03081	5		M3×0.5, L=8
5	Capacitor, Compressor	GX484507-2080	1		440VAC, 45μF
6	Holder, Capacitor	LA484927-1020	1		For Compressor
7	Capacitor, Fan	LA484507-0710	1		440VAC, 12.5μF
8	Holder, Capacitor	LA484927-0880	1		For Fan
9	Screw	949006-3250	4		M4×0.7, L=10
10	Terminal Block	LA484503-040A	1		For Power
11	Screw	949006-3280	2		M4×0.7, L=18
12	Washer, Plate	90200-04331	2		
13	Bracket	GX484391-2220	1		
14	Terminal Block	GX484503-0840	1		For Input/Output Signal
15	Screw w/Washer	91310-03161	2		M3×0.5, L=16
16	Screw	949006-5850	4		M4×0.7, L=10
17	Screw	91051-04100	3		Ground (M4×0.7, L=10)
18	Washer, Plate	90201-04300	3		Ground
19	Grommet	LA484926-0490	1		For Compressor Wire
20	Grommet	LA484926-0500	3		
21	Grommet	484926-0290	1		For Main Wire
22	Wire Assy	LA484930-5222	1		(CF, CC)↔(TB)
23	Wire Assy	LA484930-523A	1		(TB)↔(RB)
24	Washer, Plate	90200-03211	5		
25	Wire Assy	GX484930-9022	1		Main Harness (RB)↔(CB)

*: Please refer to page number 2 for the position of the nameplate showing the serial number on the unit.

"Unit Serial Number Range*" column indicates the first four digits of the unit serial number.

[Memo]

OFFICE PRO 24

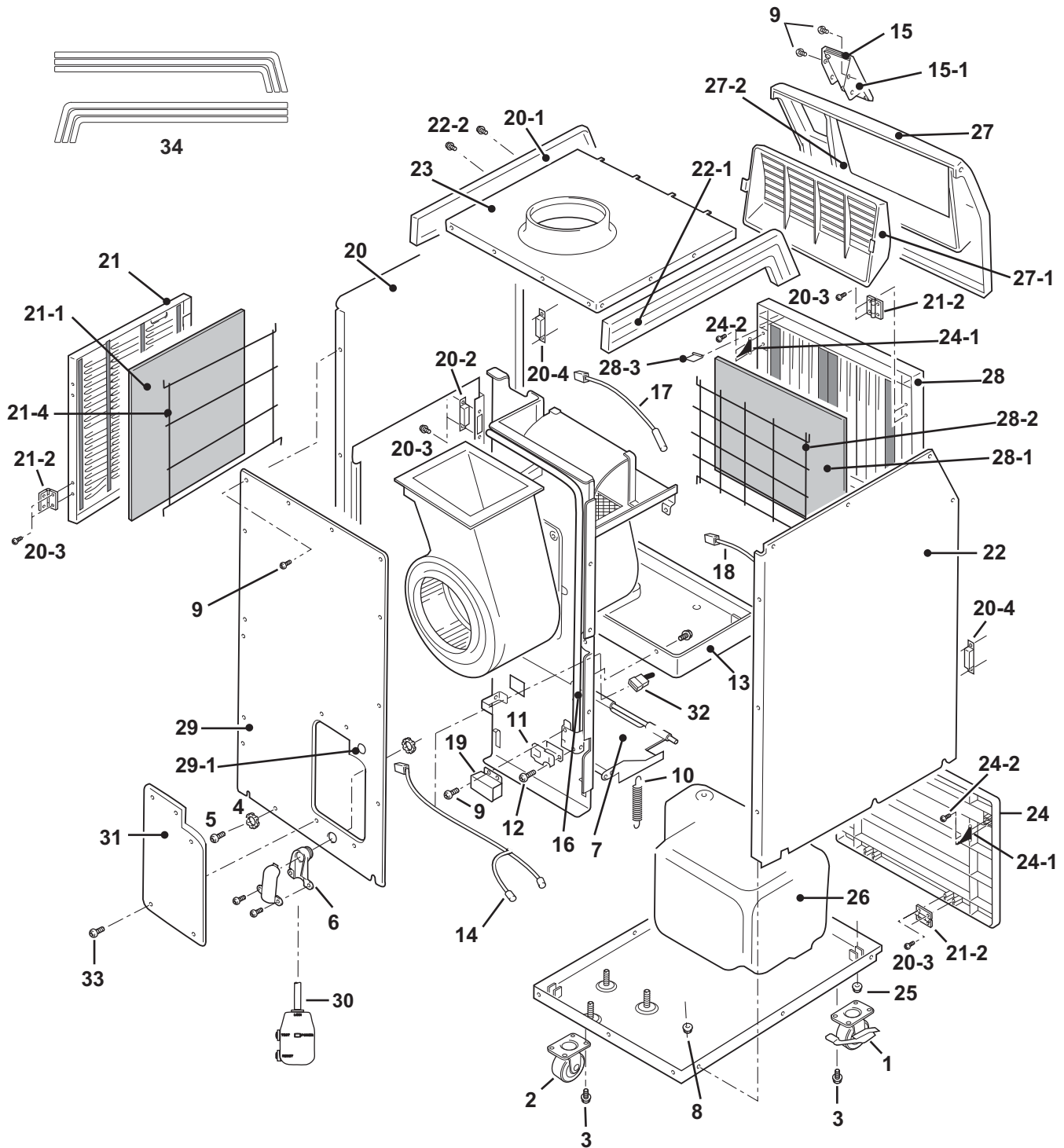
Unit Part No: GX484000-3680

Unit Serial Number Range:

0407XXXX240 to 1211XXXX240

(From April 2007 to December 2011)

OFFICE PRO 24



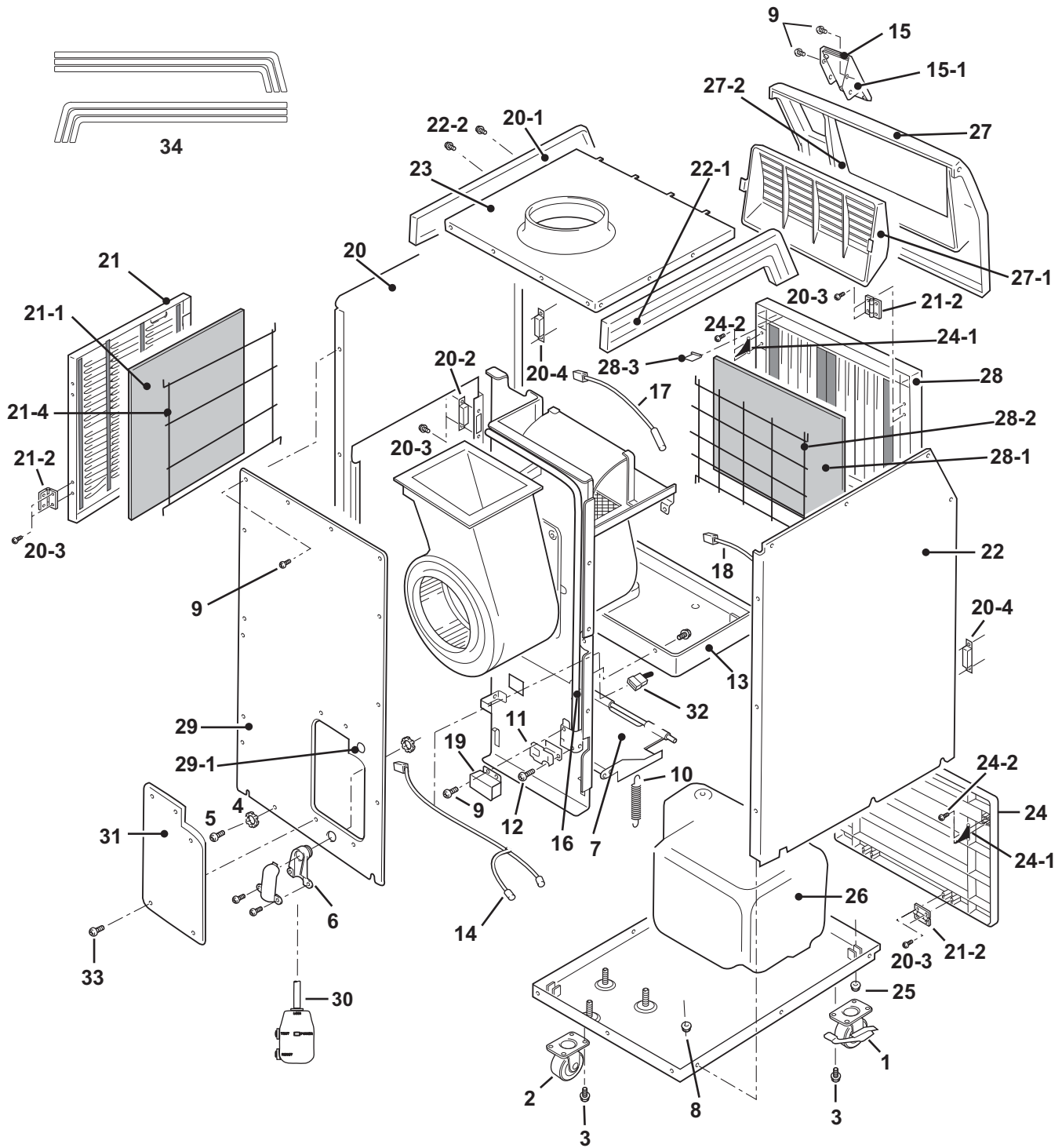
OFFICE PRO 24

ILL. No.	DESCRIPTION	PART No.	QTY.	UNIT SERIAL No. RANGE*	REMARKS
1	Caster w/Brake	LA484702-0330	2		
2	Caster	LA484702-0340	2		
3	Bolt w/Washer	91510-08141	16		M8×1.25, L=14
4	Washer, Plate	90201-06400	1		Ground
5	Screw	90051-06120	1		Ground (M6×1, L=12)
6	Connector (Retainer, Power Cord)	LA484506-0090	1		
7	Frame Sub-Assy	LA484310-3600	1		For Drain Tank
8	Nut	949056-1501	7		M4×0.7
9	Screw	949006-5850	46		M4×0.7, L=10
10	Spring, Tension Coil	949171-2090	2		For Drain Tank
11	Switch, Drain Tank	LA484502-0380	1		
12	Screw w/Washer	91310-03161	2		M3×0.5, L=16
13	Pan Assy, Drain	LA484430-0120	1		
14	Wire Assy	LA484930-8310	1		For Drain Pump
15	Switch Assy	GX484560-1802	1		Operation Panel & PCB w/ILL.NO.15-1
15-1	Cover Assy	GX484420-0430	1		Operation Panel
16	Wire Assy	GX484930-9022	1		Main Harness (RB)↔(CB)
17	Thermistor, Room Temperature	LAY84532-0021	1		
18	Thermistor, Anti-Freeze Up	LAY84532-0011	1		
19	Cover	LA484391-1870	1		
20	Panel Assy	GX484410-8120	1		w/ILL.NO.20-1~20-4
20-1	Right Handle	LA484450-0051	1		
20-2	Holder (Magnet Type)	484927-0990	2		
20-3	Screw	949006-4440	4		M3×0.5, L=8
20-4	Catch	LA481922-0030	3		Door Hook
21	Panel Assy	GX484410-8130	1		Filter Panel Condenser w/ILL.NO.21-1~21-4
21-1	Filter (Condenser)	GX484401-1660	1		
21-2	Hinge	LA484912-0040	6		
21-3	Screw	949006-3300	24		M3×0.5, L=6
21-4	Wire Frame (Condenser)	GX484310-5040	1		
22	Panel Assy, Left	GX484410-8140	1		w/ILL.NO.22-1~22-2
22-1	Left Handle	LA484450-0061	1		
22-2	Screw, Tapping	949001-3530	23		D4, L=10
23	Panel Assy, Top Rear	LA484410-5531	1		
24	Panel Assy	LA484410-5031	1		Tank Door w/ILL.NO.20-3, 21-2, 24-1~24-2
24-1	Holder, Latch (Hook Type)	LA484927-1010	3		Door Hook
24-2	Screw, Tapping	LA949001-1730	4		D4, L=16

*: Please refer to page number 2 for the position of the nameplate showing the serial number on the unit.

"Unit Serial Number Range*" column indicates the first four digits of the unit serial number.

OFFICE PRO 24



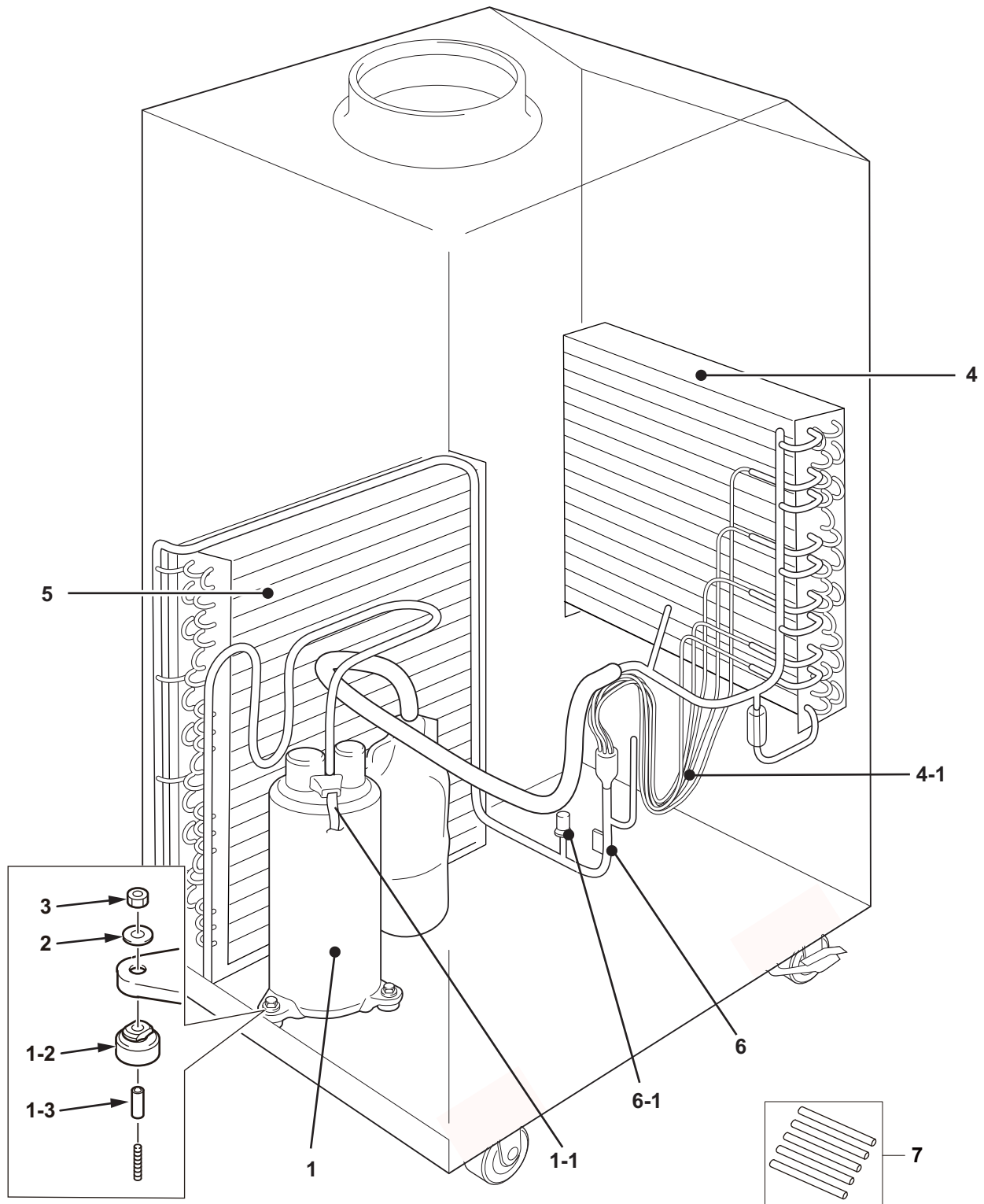
OFFICE PRO 24

ILL. No.	DESCRIPTION	PART No.	QTY.	UNIT SERIAL No. RANGE*	REMARKS
25	Nut	91160-03241	4		M3×0.5
26	Tank, Drain	484731-0021	1		
27	Panel Assy, Top Front	LA484410-5541	1		w/ILL.NO.27-1~27-2
27-1	Air Louver, Outlet	LA480431-0101	1		
27-2	Pin	LA484913-0070	3		
28	Panel Assy, Front Filter	LAY84410-0021	1		w/ILL.NO.20-3, 21-2, 24-1~24-2, 28-1~28-3
28-1	Filter	LA484401-1160	1		
28-2	Wire Frame (Evaporator)	LAY84310-0020	1		
28-3	Clip	LAY84917-0050	2		Holder, Wire Frame
29	Panel Assy, Rear	GX484410-8150	1		w/ILL.NO.29-1
29-1	Cap Cover	GX484926-0700	1		
30	Wire Assy	LA484930-8970	1		Power Cord
31	Panel Assy, Service	GX484410-8160	1		
32	Connector	LA484930-8181	1		Jumper Connector
33	Screw w/Washer	480919-0370	26		M4×0.7, L=10
34	Stripe Kit Assy	LA484003-1110	1		6 each (Both Sides)

*: Please refer to page number 2 for the position of the nameplate showing the serial number on the unit.

"Unit Serial Number Range*" column indicates the first four digits of the unit serial number.

OFFICE PRO 24



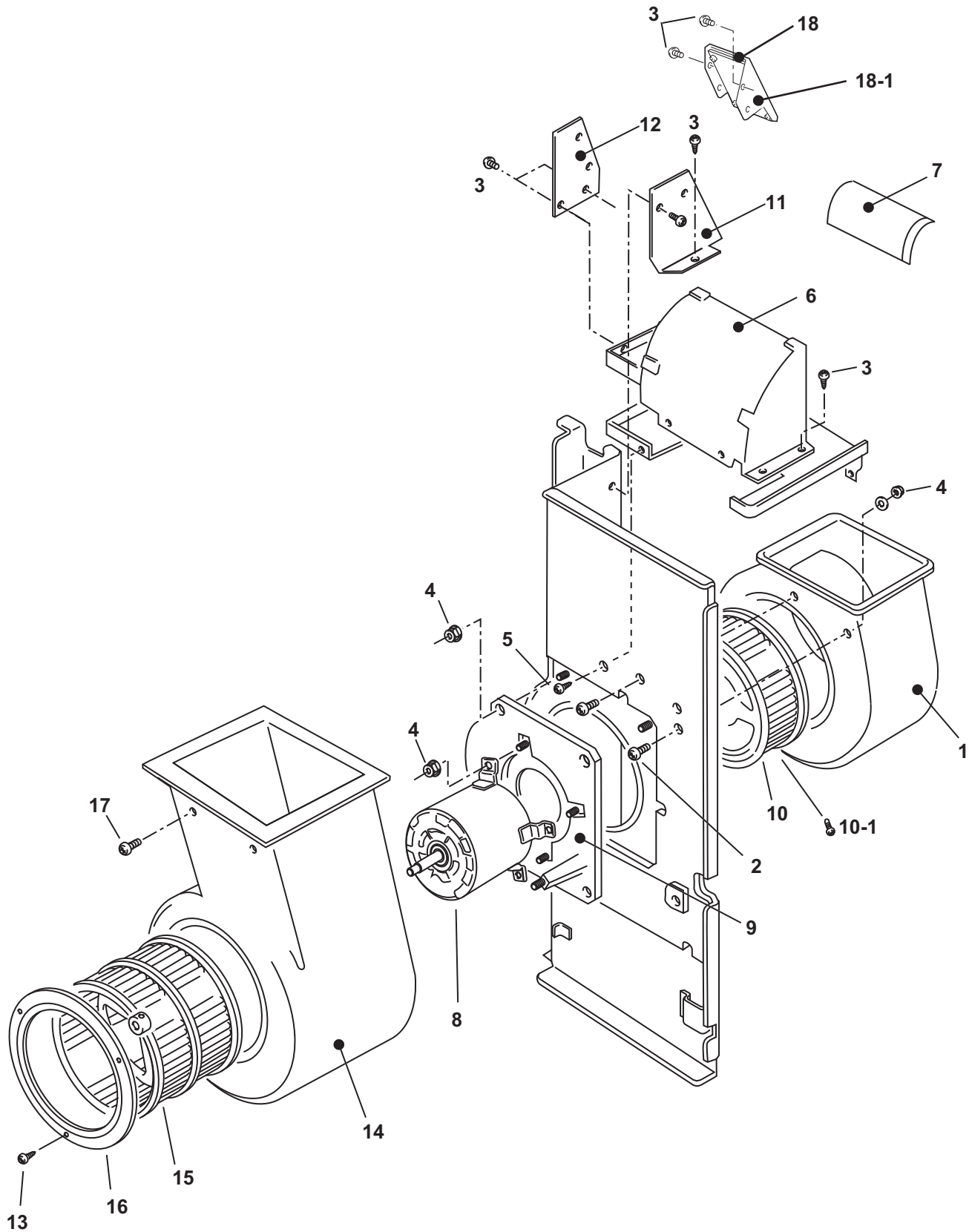
OFFICE PRO 24

ILL. No.	DESCRIPTION	PART No.	QTY.	UNIT SERIAL No. RANGE*	REMARKS
1	Compressor Assy	GX484650-2620	1		w/Pipe for Discharge & Suction w/ILL.NO.1-1~1-3
1-1	Wire Assy	LA484930-7260	1		For Compressor
1-2	Cushion	GX484904-0380	3		
1-3	Collar	GX484915-0410	3		
2	Washer, Steel Plate	949011-5330	3		
3	Nut	90190-08651	3		M8×1.25
4	Core Assy, Evaporator	GX484600-2120	1		w/ILL.NO.4-1
4-1	Pipe Assy, Capillary	GX484640-0360	1		
5	Core Assy, Condenser	GX484600-2130	1		
6	Pipe Assy, Connecting	GX484800-4050	1		w/ILL.NO.6-1
6-1	Switch Assy, Pressure	GX484660-0550	1		
7	Pipe Assy, Charging	484800-0440	1		5 Pieces Per Package

*: Please refer to page number 2 for the position of the nameplate showing the serial number on the unit.

"Unit Serial Number Range*" column indicates the first four digits of the unit serial number.

OFFICE PRO 24



ILL00608-01

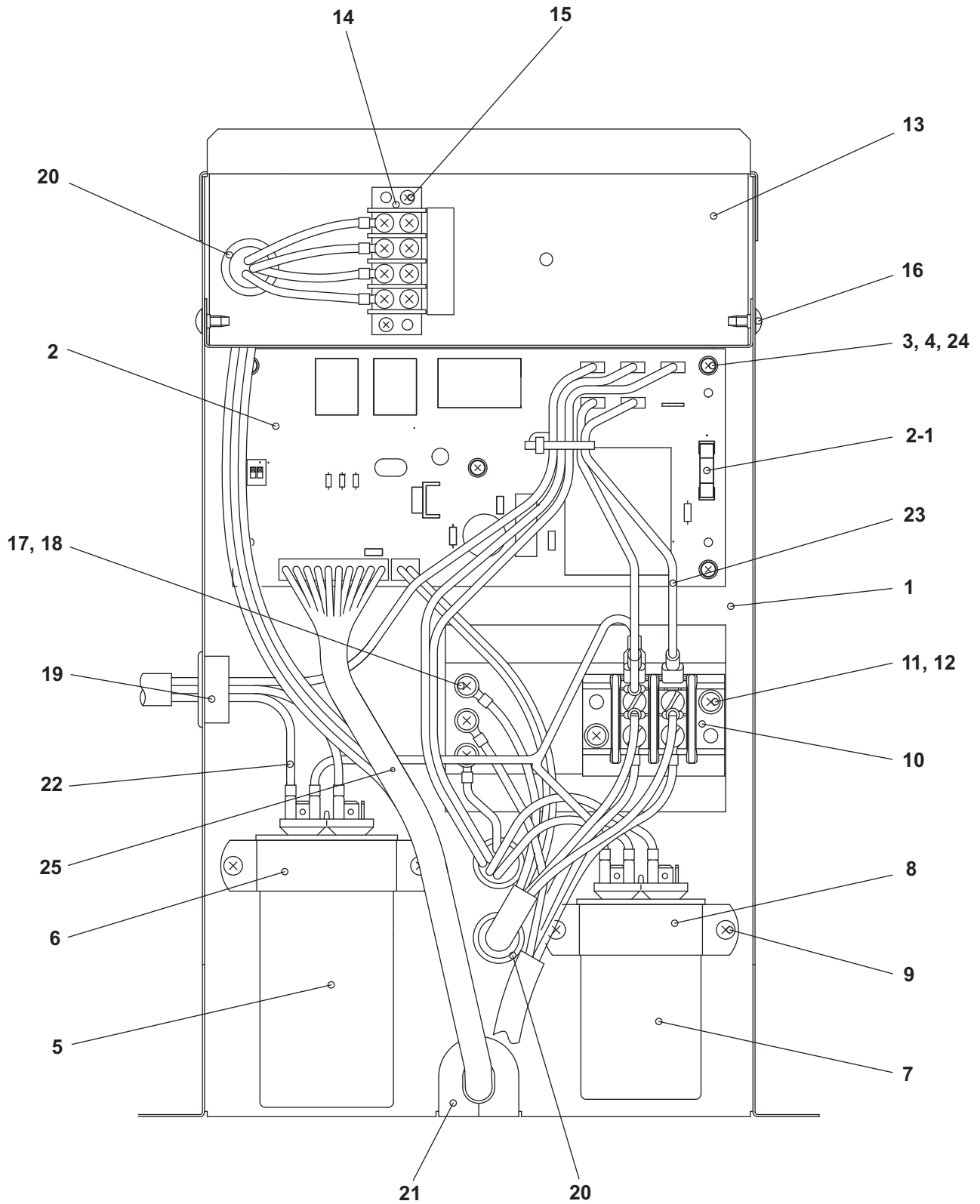
OFFICE PRO 24

ILL. No.	DESCRIPTION	PART No.	QTY.	UNIT SERIAL No. RANGE*	REMARKS
1	Casing, Evaporator Fan	484261-0010	1		
2	Screw w/Washer	91370-06161	4		M6×1, L=16
3	Screw	949006-5850	10		M4×0.7, L=10
4	Nut	949056-1430	12		M6×1
5	Screw, Tapping	949001-1570	7		D4, L=10
6	Deflector, Air	GX484340-3020	1		Upper
7	Deflector, Air	LA484331-718A	1		Lower
8	Fan Motor	LA484211-1481	1		
9	Motor Stay	LA484330-0520	1		
10	Fan, Evaporator	484221-0740	1		
10-1	Bolt, Hexagon	949040-6150	1		M8, L18.5
11	Stay, Control Panel Left	GX484340-3050	1		
12	Stay, Control Panel Right	LA484331-7200	1		
13	Screw w/Washer	91370-04101	3		M4×0.7, L=10
14	Casing Assy, Condenser Fan	LA484260-0310	1		
15	Fan, Condenser	LA484221-0370	1		w/Set Screw
16	Ring Sub-Assy	LA484280-0090	1		
17	Screw w/Washer	949007-3600	2		M4×0.7, L=10
18	Switch Assy	GX484560-1802	1		Operation Panel & PCB w/ILL.NO.18-1
18-1	Cover Assy	GX484420-0430	1		Operation Panel

*: Please refer to page number 2 for the position of the nameplate showing the serial number on the unit.

"Unit Serial Number Range*" column indicates the first four digits of the unit serial number.

OFFICE PRO 24



OFFICE PRO 24

ILL. No.	DESCRIPTION	PART No.	QTY.	UNIT SERIAL No. RANGE*	REMARKS
1	Box Sub-Assy	GX484520-1073	1		
2	Relay Board	GX484500-3590	1		w/ILL.NO.2-1
2-1	Fuse, Relay Board	LAY65765-0030	1	0108 to 1211	250mA, 250V
		LA481936-0080	1	0807 to 1207	160mA, 250V
		LAY65765-0030	1	0407 to 0707	250mA, 250V
3	Spacer	LA484921-0150	5		
4	Screw w/Washer	91370-03081	5		M3×0.5, L=8
5	Capacitor, Compressor	LA484507-0880	1		370VAC, 45μF
6	Holder, Capacitor	LA484927-0890	1		For Compressor
7	Capacitor, Fan	LA484507-0710	1		440VAC, 12.5μF
8	Holder, Capacitor	LA484927-0880	1		For Fan
9	Screw	949006-3250	4		M4×0.7, L=10
10	Terminal Block	LA484503-040A	1		For Power
11	Screw	949006-3280	2		M4×0.7, L=18
12	Washer, Plate	90200-04331	2		
13	Bracket	GX484391-2220	1		
14	Terminal Block	GX484503-0840	1		For Input/Output Signal
15	Screw w/Washer	91310-03161	2		M3×0.5, L=16
16	Screw	949006-5850	4		M4×0.7, L=10
17	Screw	91051-04100	3		Ground (M4×0.7, L=10)
18	Washer, Plate	90201-04300	3		Ground
19	Grommet	LA484926-0490	1		For Compressor Wire
20	Grommet	LA484926-0500	3		
21	Grommet	484926-0290	1		For Main Wire
22	Wire Assy	LA484930-5222	1		(CF, CC)↔(TB)
23	Wire Assy	LA484930-523A	1		(TB)↔(RB)
24	Washer, Plate	90200-03211	5		
25	Wire Assy	GX484930-9022	1		Main Harness (RB)↔(CB)

*: Please refer to page number 2 for the position of the nameplate showing the serial number on the unit.

"Unit Serial Number Range*" column indicates the first four digits of the unit serial number.

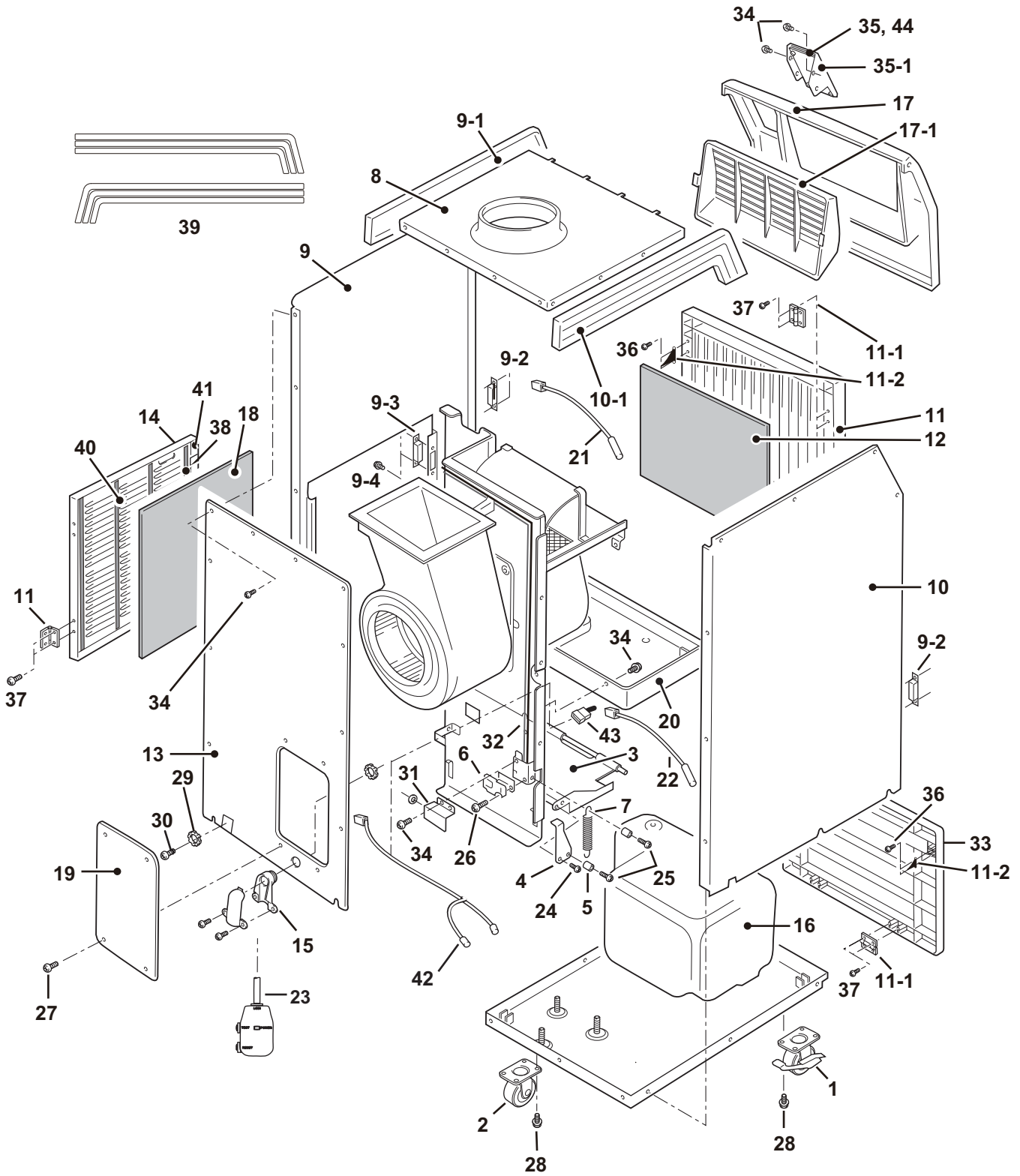
[Memo]

OFFICE PRO 24

Unit Part No: LA484000-3410
LA484000-2390

Unit Serial Number Range:
0100XXXX240 to 0307XXXX240
(From January 2000 to March 2007)

OFFICE PRO 24



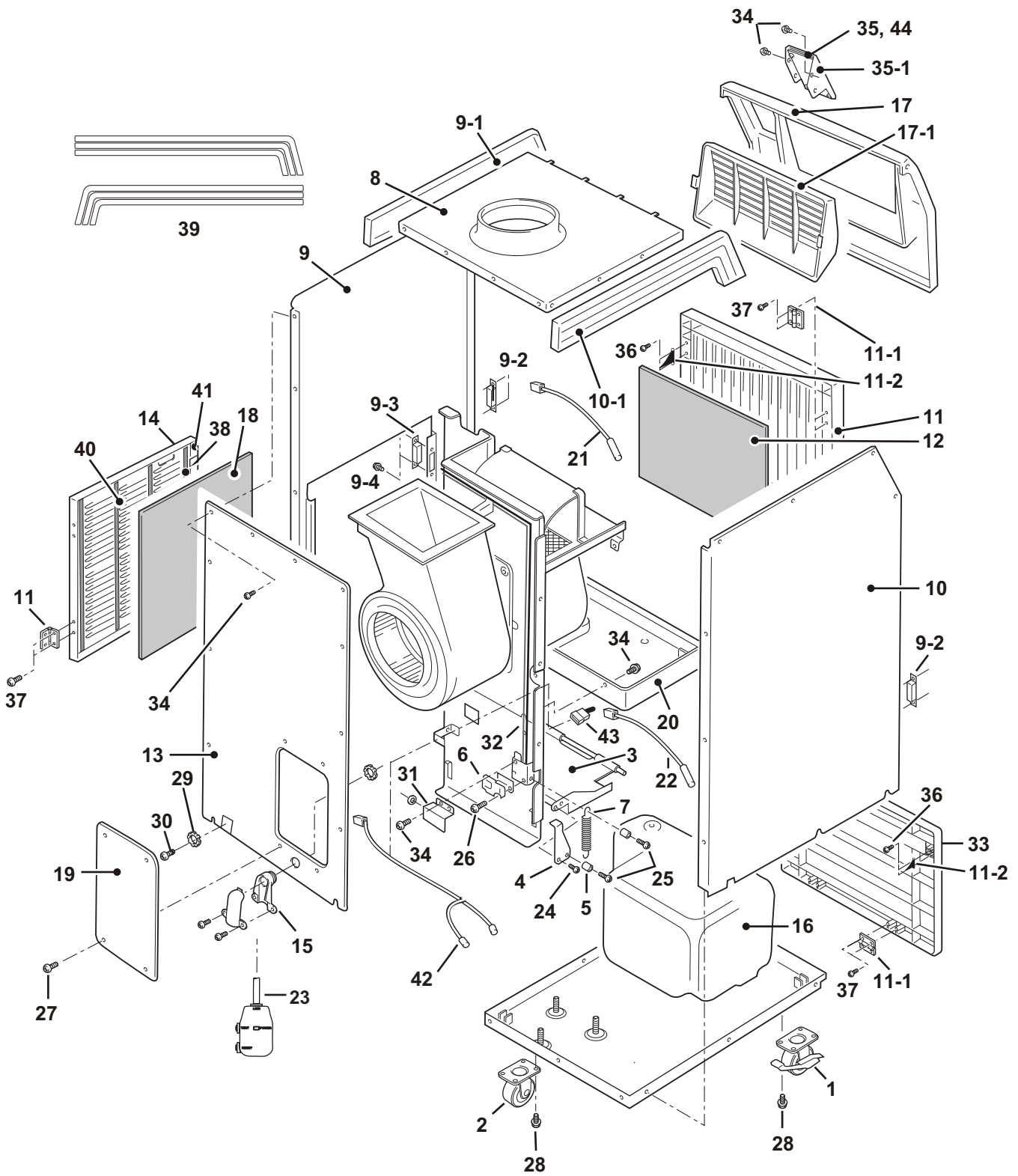
OFFICE PRO 24

ILL. No.	DESCRIPTION	PART No.	QTY.	UNIT SERIAL No. RANGE*	REMARKS
1	Caster w/Brake	LA484702-0330	2		
2	Caster	LA484702-0340	2		
3	Frame Sub-Assy (Drain Tank)	LA484310-3600	1	0103 to 0307	
		LAY84310-0010	1	0100 to 1202	
4	Bracket	LA484321-0510	1	0100 to 1202	
5	Socket	480837-0030	4	0100 to 1202	
6	Switch, Drain Tank	LA484502-0380	1		
7	Spring, Tension Coil	949171-2090	2		For Drain Tank
8	Panel Assy, Top Rear	LA484410-5531	1		
9	Panel, Right	LA484410-5511	1		w/ILL.NO.9-1~9-4
9-1	Right Handle	LA484450-0051	1		
9-2	Catch	LA481922-0030	3		Door Hook
9-3	Holder (Magnet Type)	484927-0990	2		
9-4	Screw	949006-4440	4		M3×0.5, L=8
10	Panel, Left	LA484410-5520	1		w/ILL.NO.10-1
10-1	Left Handle	LA484450-0061	1		
11	Panel Assy, Front Filter (Evap.)	LAY84410-0021	1		w/ILL.NO.11-1~11-2
11-1	Hinge	LA484912-0040	6		
11-2	Holder, Latch (Hook Type)	LA484927-1010	3		Door Hook
12	Filter (Evap.)	LA484401-1160	1		
13	Panel, Rear	LA484410-5562	1		
14	Panel Assy, Front Filter (Cond.)	LA484410-5550	1		w/Velcro & Filter
15	Retainer, Power Cord	LA484506-0090	1		
16	Tank, Drain	484731-0021	1		
17	Panel Assy, Top Front	LA484410-5541	1		w/ILL.NO.17-1
17-1	Air Louver, Outlet	LA480431-0101	1		
18	Filter (Condenser)	LA484401-1220	1		
19	Panel, Service	LA484410-7610	1	0103 to 0307	
		LA484410-5570	1	0100 to 1202	
20	Drain Pan Assy	LA484430-0120	1		
21	Thermistor, Room Temperature	LAY84532-0021	1		
22	Thermistor, Anti-Freeze Up	LAY84532-0011	1		
23	Wire Assy	LA484930-8970	1	0103 to 0307	Power Cord
		LA484930-483A	1	0100 to 1202	
24	Screw w/Washer	91370-04101	1		M4×0.7, L=10
25	Screw, Tapping	91060-04161	4		D4, L=16
26	Screw w/Washer	91310-03161	2		M3×0.5, L=16
27	Screw, Tapping	949007-6700	27		D4, L=10
28	Bolt w/Washer	91510-08141	16		M8×1.25, L=14
29	Washer, Plate	90201-06400	1		Ground

*: Please refer to page number 2 for the position of the nameplate showing the serial number on the unit.

"Unit Serial Number Range*" column indicates the first four digits of the unit serial number.

OFFICE PRO 24



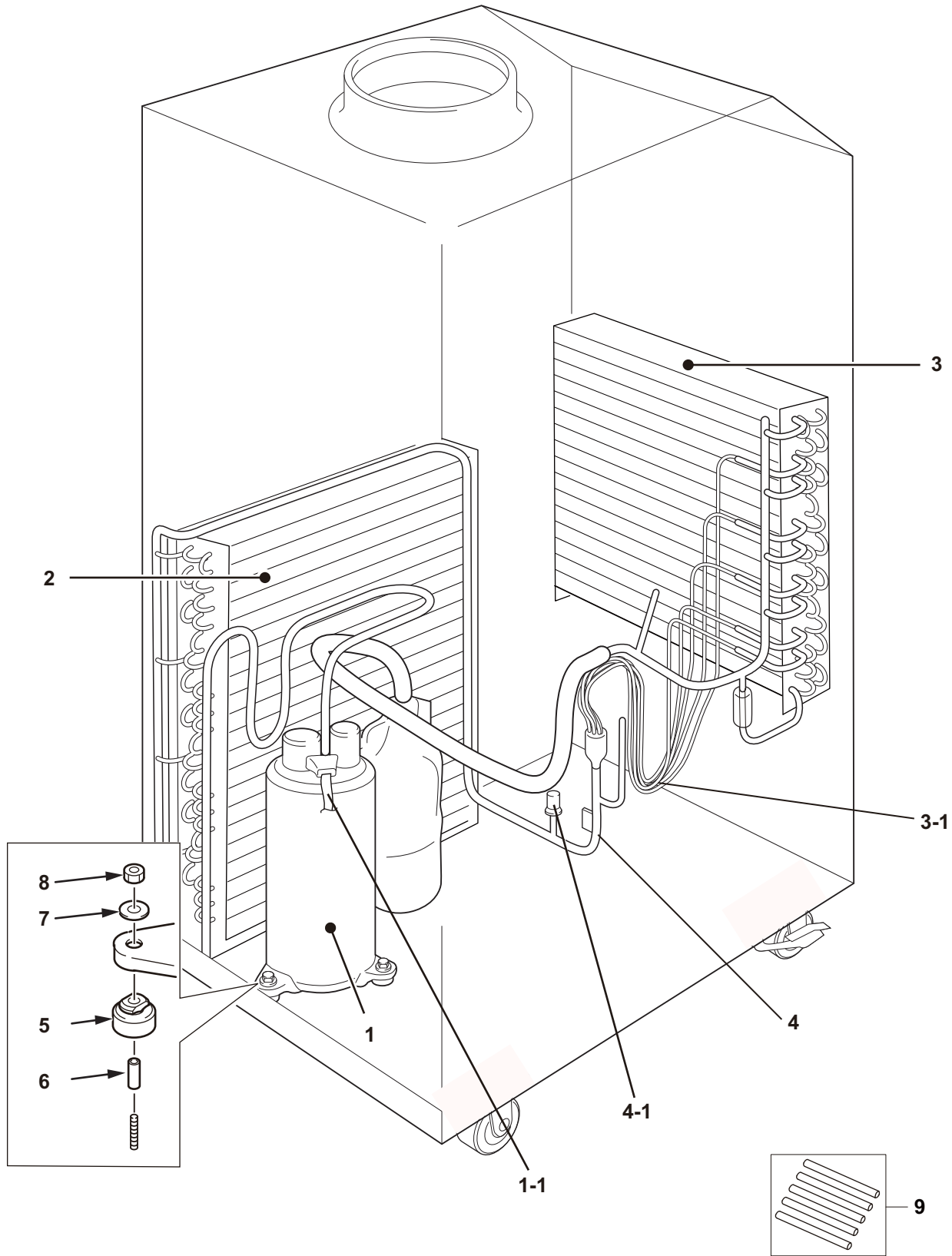
OFFICE PRO 24

ILL. No.	DESCRIPTION	PART No.	QTY.	UNIT SERIAL No. RANGE*	REMARKS
30	Screw	90051-06120	1		Ground (M6×1, L=12)
31	Cover, Drain Switch	LA484391-1870	1	0103 to 0307	
		LA484391-056A	1	0100 to 1202	
32	Wire Assy	LA484930-6840	1	0804 to 0307	Main Harness, (RB)↔(CB)
		LAY84930-0010	1	0100 to 0704	Main Harness, (RB)↔(CB)
33	Drain Tank, Panel Assy	LA484410-5031	1		Tank Door w/ILL.NO.11-1,11-2,36,37
34	Screw	949006-5850	42		M4×0.7, L=10
35	Switch Assy	LA484560-1680	1	0405 to 0307	Operation Panel & PCB w/ILL.NO.35-1
35-1	Cover Assy	LAY84420-0010	1		Operation Panel
36	Screw, Tapping	LA949001-1730	8		D4, L=16
37	Screw	949006-3300	12		M3×0.5, L=6
38	Velcro	LA484311-2190	1		Condenser
39	Stripe Kit Assy	LA484003-1110	1		6 each (Both Sides)
40	Velcro	LA484311-2071	3		Condenser
41	Velcro	LA484311-2200	2		Condenser
42	Wire Assy	LA484930-8310	1	0407 to 0307	For LA484000-3410 Unit For Drain Pump
43	Connector	LA484930-8181	1	0407 to 0307	For LA484000-3410 Unit Jumper Connector
44	Switch Assy	LA484560-1520	1	0100 to 0305	Operation Panel & PCB

*: Please refer to page number 2 for the position of the nameplate showing the serial number on the unit.

"Unit Serial Number Range*" column indicates the first four digits of the unit serial number.

OFFICE PRO 24



ILL00612-00

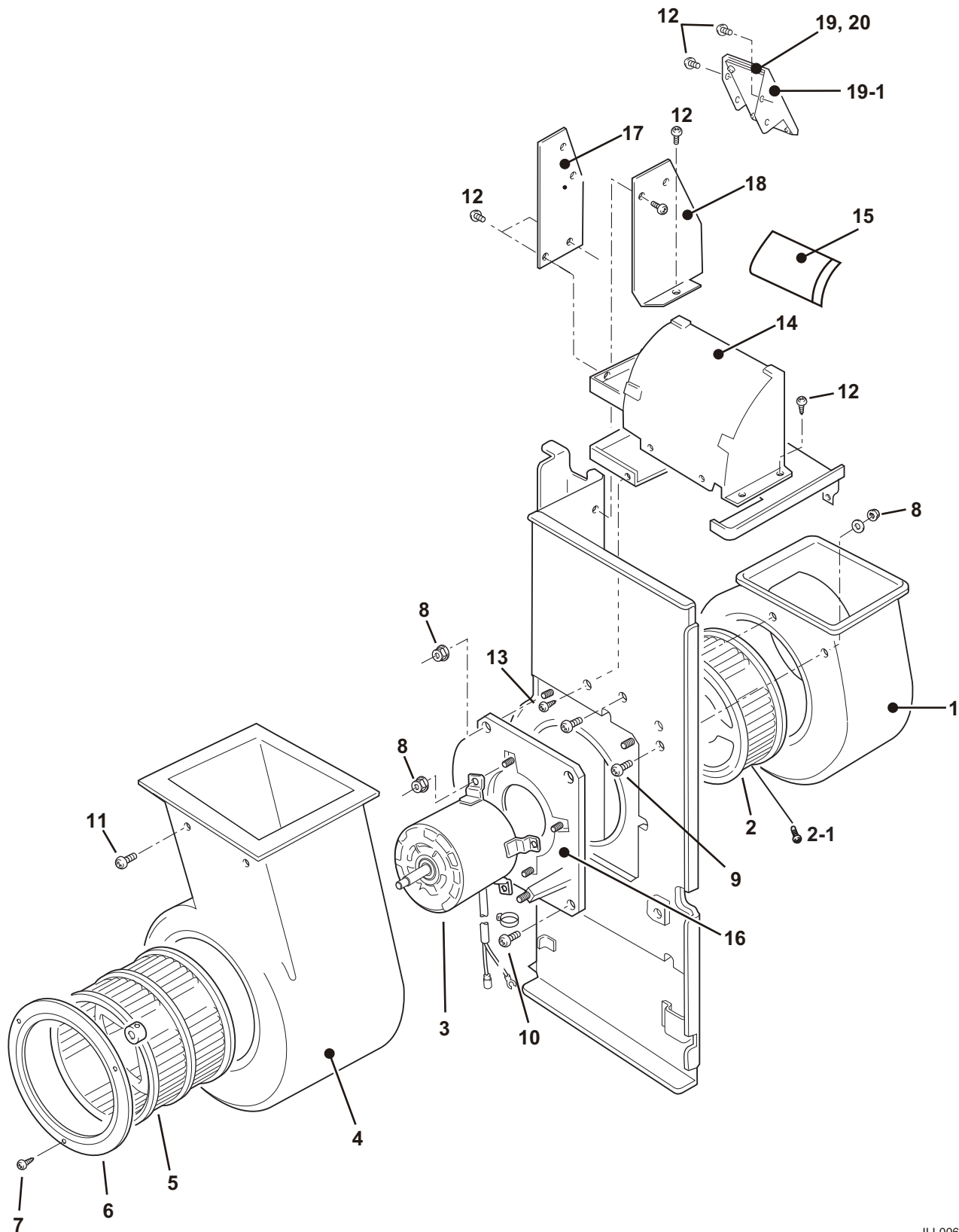
OFFICE PRO 24

ILL. No.	DESCRIPTION	PART No.	QTY.	UNIT SERIAL No. RANGE*	REMARKS
1	Compressor Assy	LA484650-1530	1		w/Pipe for Discharge & Suction w/ILL.NO.1-1
1-1	Wire Assy	LA484930-7260	1		For Compressor
2	Core Assy, Condenser	LA484600-1451	1		w/Pipes
3	Core Assy, Evaporator	LA484600-1441	1		w/ILL.NO.3-1
3-1	Pipe Assy, Capillary	LA484640-0330	1		
4	Pipe Assy, Connecting	LA484800-3080	1		w/ILL.NO.4-1
4-1	Switch Assy, Pressure	LA484660-0420	1		
5	Cushion	LA484904-0240	3		
6	Collar, Steel	LA484915-0320	3		
7	Washer, Steel Plate	949011-5330	3		
8	Nut	90190-08651	3		M8×1.25
9	Pipe Assy, Charging	484800-0440	1		5 Pieces Per Package

*: Please refer to page number 2 for the position of the nameplate showing the serial number on the unit.

"Unit Serial Number Range*" column indicates the first four digits of the unit serial number.

OFFICE PRO 24



ILL00613-01

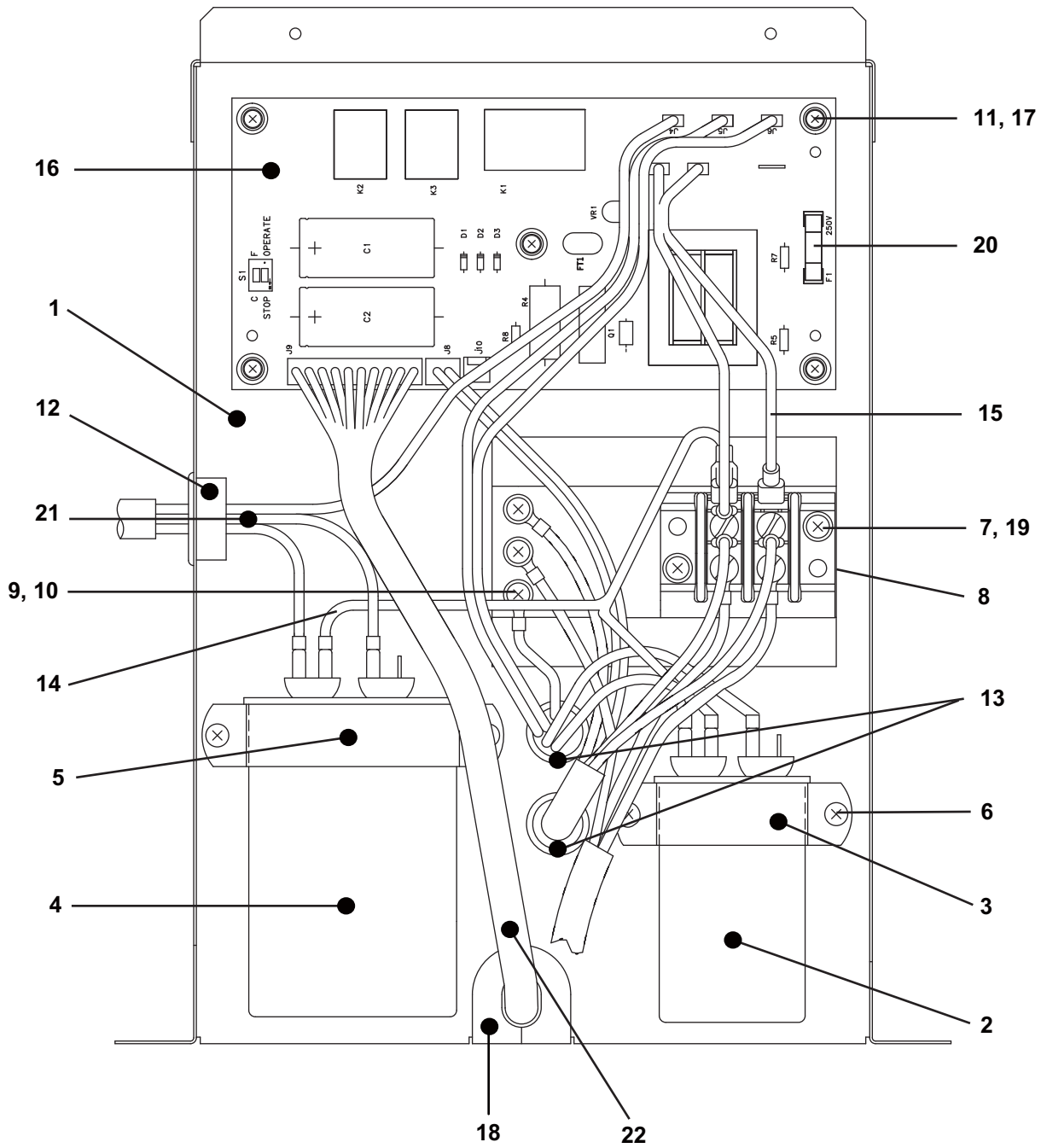
OFFICE PRO 24

ILL. No.	DESCRIPTION	PART No.	QTY.	UNIT SERIAL No. RANGE*	REMARKS
1	Casing, Evaporator Fan	484261-0010	1		
2	Fan, Evaporator	484221-0740	1		
2-1	Bolt, Hexagon	949040-6150	1		M8, L18.5
3	Fan Motor	LA484211-1481	1		
4	Casing Assy, Condenser Fan	LA484260-0310	1		
5	Fan, Condenser	LA484221-0370	1		w/Set Screw
6	Ring Sub-Assy	LA484280-0090	1		
7	Screw w/Washer	91370-04101	3		M4×0.7, L=10
8	Nut	949056-1430	8		M6×1
9	Screw w/Washer	91370-06161	4		M6×1, L=16
10	Screw w/Washer	91370-06121	5		M6×1, L=12
11	Screw w/Washer	949007-3600	2		M4×0.7, L=10
12	Screw	949006-5850	10		M4×0.7, L=10
13	Screw, Tapping	949001-1570	8		D4, L=10
14	Deflector, Air	LA484340-2541	1		Upper
15	Deflector, Air	LA484331-718A	1		Lower
16	Motor Stay	LA484330-0520	1		
17	Stay, Control Panel Right	LA484331-7200	1		
18	Stay, Control Panel Left	GX484340-3050	1		
19	Switch Assy	LA484560-1680	1	0405 to 0307	Operation Panel & PCB w/ILL.NO.19-1
19-1	Cover Assy	LAY84420-0010	1		Operation Panel
20	Controller Assy	LA484560-1520	1	0100 to 0305	PCB Only

*: Please refer to page number 2 for the position of the nameplate showing the serial number on the unit.

"Unit Serial Number Range*" column indicates the first four digits of the unit serial number.

OFFICE PRO 24



ILL00614-00

OFFICE PRO 24

ILL. No.	DESCRIPTION	PART No.	QTY.	UNIT SERIAL No. RANGE*	REMARKS
1	Box Sub-Assy, Control	LA484520-0770	1		
2	Capacitor, Fan	LA484507-0710	1		440VAC, 12.5 μ F
3	Holder, Capacitor	LA484927-0880	1		Fan
4	Capacitor, Compressor	LA484507-0960	1		440VAC, 50 μ F
5	Holder, Capacitor	LA484927-1020	1		Compressor
6	Screw	949006-3250	4		M4 \times 0.7, L=10
7	Screw	949006-3280	2		M4 \times 0.7, L=18
8	Terminal Block	LA484503-040A	1		For Power
9	Screw	91051-04100	3		Ground (M4 \times 0.7, L=10)
10	Washer, Plate	90201-04300	3		Ground
11	Screw w/Washer	91370-03081	5		M3 \times 0.5, L=8
12	Grommet	LA484926-0490	1		For Compressor
13	Grommet	LA484926-0500	2		
14	Wire Assy	LA484930-5222	1		(CF, CC) \leftrightarrow (TB)
15	Wire Assy	LA484930-523A	1		(TB) \leftrightarrow (RB)
16	Relay Board Assy	GX484500-3590	1		(RB) 230V
17	Spacer	LA484921-0150	5		
18	Grommet	484926-0290	1		For Main Wire
19	Washer, Plate	90200-04331	2		
20	Fuse, Relay Board	LA481936-0080	1	0103 to 0307	160mA, 250V
		LAY65765-0010	1	0100 to 1202	2/10A, 250V
21	Wire Assy	LA484930-7260	1	0503 to 0307	For Compressor
		LA484930-5210	1	0100 to 0403	For Compressor
22	Wire Assy	LA484930-6840	1	0804 to 0307	Main Harness (RB) \leftrightarrow (CB)
		LAY84930-0010	1	0100 to 0704	Main Harness (RB) \leftrightarrow (CB)

*: Please refer to page number 2 for the position of the nameplate showing the serial number on the unit.

"Unit Serial Number Range*" column indicates the first four digits of the unit serial number.

DENSO

DENSO PRODUCTS AND SERVICES AMERICAS, INC.

Long Beach, CA 90810
www.movincool.com

Third Issue: May 2015