

NX58K7850SS

5.8 cu. ft. Flex Duo™ Freestanding Gas Range with Dual Door and WiFi Connectivity

Features

- Flex Duo™ with Dual Door
- Soft Close Door
- WiFi Connectivity
- Powerful Cooktop – 5 Gas Burners
 - Right Front: Double Power 18K BTU
 - Left Front: 15K BTU
 - Right Rear: 5K BTU
 - Left Rear: 9.5K BTU
 - Warming Center (Oval): 9.5K BTU
- Dual Convection
- Large Oven Capacity – 5.8 cu. ft.
 - 3.4 cu. ft. upper
 - 2.3 cu. ft. lower
- 18K BTU Burner
- Gliding Rack
- Reversible Cast Iron Griddle
- Wok Grate
- Hidden Bake Element
- Storage Drawer
- Cast Iron 3-Piece Grates

Convenience

- Auto Oven Light
- Proofing
- Sabbath Mode
- Slow Cook
- Dehydrate
- Favorite Cook Options
- Kitchen Timer
- Delay Start
- Child Safety Lock
- Self Clean
- 3 Easy Cook Presets



Flex Duo™ Oven



Dual Door

Available Colors



Stainless Steel (shown)



Black Stainless

Signature Features

FLEX DUO™ WITH DUAL DOOR

- Flex Duo™ with Dual Door design provides ultimate cooking flexibility.
- Includes two independent temperature controls and convection systems, separated by a removable Smart Divider, so you can cook multiple dishes simultaneously. Plus, you can access just the top compartment or the full oven with the hinged door.

SOFT CLOSE DOOR

- Gently closes oven door for peace and quiet.
- Hinges will catch it a few centimeters before the door closes to avoid slamming.

WIFI CONNECTIVITY

- Remotely monitor your cooktop and control your oven with WiFi capability.
- Cook from anywhere: Use your smart phone to remotely monitor for safety, turn the oven off and adjust the time and temperature.

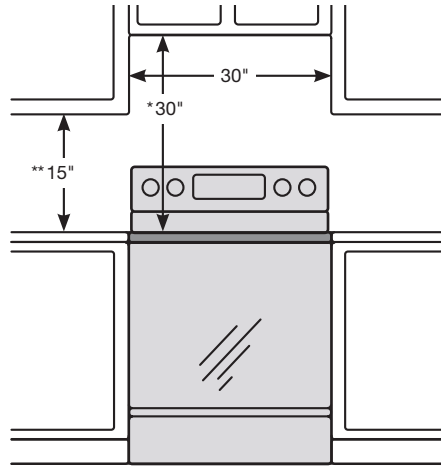
NX58K7850SS

5.8 cu. ft. Flex Duo™ Freestanding Gas Range with Dual Door and WiFi Connectivity

Installing Your Range

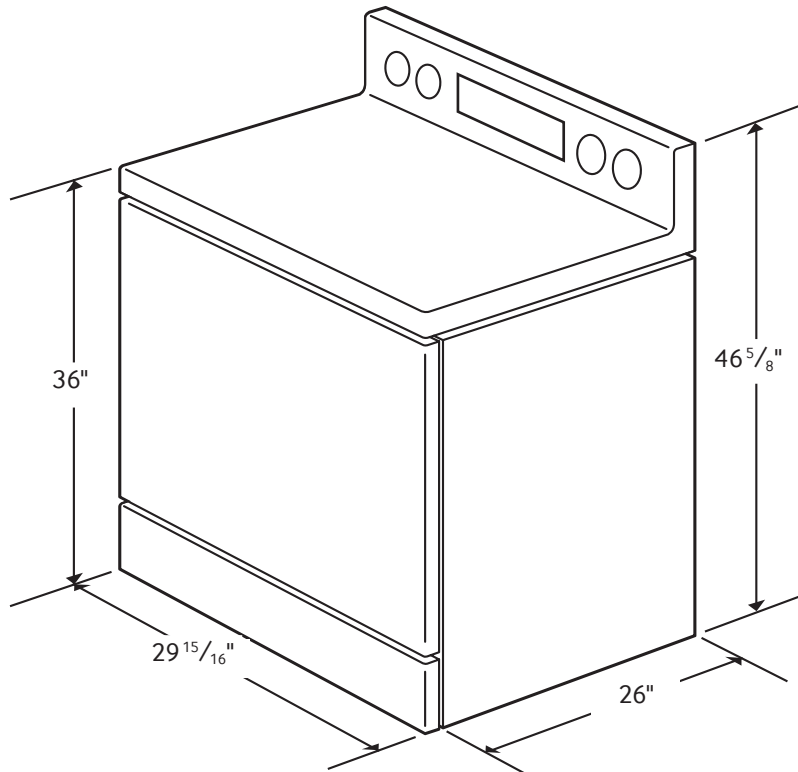
*30" minimum clearance between the top of the cooking surface and the bottom of an unprotected wood or metal cabinet; or 24" minimum when the bottom of the wood or metal cabinet is protected by not less than 1/4" flame-retardant millboard covered with not less than no.28 MSG sheet steel, 0.015" stainless steel, 0.024" aluminum or 0.020" copper.

**15" minimum between the countertop and the adjacent cabinet bottom.



IMPORTANT: To eliminate the risk of burns or fire caused by reaching over heated surface units, cabinet storage space located above the surface units should be avoided. If cabinet storage is to be provided, the risk can be reduced by installing a range hood that projects horizontally a minimum of 5" beyond the bottom of the cabinets.

Dimensions



Total Power (BTU)

57K

Power Source

120V/60Hz

Stainless Steel Five-Burner Cooktop (BTU)

- Right Front (Double): 18K
- Left Front: 15K
- Right Rear: 5K
- Left Rear: 9.5K
- Center (Oval): 9.5K

Oven: 5.8 cu. ft. Capacity

- Upper Capacity: 3.4 cu. ft.
- Lower Capacity: 2.3 cu. ft.
- True Convection
- Bake: 175°F–550°F
- Variable Broil: Low/High (400°F - 480°F)
- Convection Bake: 175°F–550°F
- Convection Roast: 175°F–550°F
- Sabbath Mode

Warranty

One (1) Year All Parts and Labor

Five (5) Years Gas Cooktop

Product Dimensions & Weight (WxHxD)

Actual Oven Dimensions:

25" x 19" x 21 1/8"

Outside Net Dimensions:

29 15/16" x 46 5/8" x 26"

Weight: 232 lbs.

Shipping Dimensions & Weight (WxHxD)

Dimensions:

33 1/16" x 50 5/8" x 30 5/16"

Weight: 254 lbs.

Color

Stainless Steel

Black Stainless Steel

Model

NX58K7850SS

NX58K7850SG

UPC Code

887276132112

887276143149

SAMSUNG

Actual color may vary. Design, specifications, and color availability are subject to change without notice. Non-metric weights and measurements are approximate.

©2016 Samsung Electronics America, Inc. 85 Challenger Road, Ridgefield Park, NJ 07660. Tel: 800-SAMSUNG. samsung.com. Samsung is a registered trademark of Samsung Electronics Co. Ltd.