

# 36" Electric Cooktop

800 Series - Black Frameless NET8668UC



**NET8668UC**  
Black

Also available in:

Black with  
Stainless Steel  
Frame **NET8668SUC**

**The 800 Series electric cooktop is sleek in design, and features SpeedBoost® which adds even more power to speed up the cooking process.**

## Features & Benefits

Bridge element accommodates oblong pans and many diameters of cookware.

Each zone's timer automatically shuts off when cooking is done.

SpeedBoost® offers shorter heat-up times for liquids.

PreciseSelect® offers 17 different direct cooking level settings.

## Element Performance

|                                      |                 |
|--------------------------------------|-----------------|
| Power of Front Left heating element  | 1,800 W         |
| Power of Back Left heating element   | 1,800 W         |
| Power of Center heating element      | 3,600 / 1,400 W |
| Power of Back Right heating element  | 1,200 W         |
| Power of Front Right heating element | 1,900 / 800 W   |

## Element Size

|  |        |
|--|--------|
| Dimension of Front Left heating element  | 7"     |
| Dimension of Back Left heating element   | 7"     |
| Dimension of Center heating element      | 9", 6" |
| Dimension of Back Right heating element  | 6"     |
| Dimension of Front Right heating element | 8", 5" |

## Technical Details

|                 |           |
|-----------------|-----------|
| Watts           | 10,200 W  |
| Circuit breaker | 40 A      |
| Volts           | 208-240 V |
| Frequency       | 60 Hz     |
| Plug type       | No plug   |
| Energy source   | Electric  |



## Dimensions & Weight

|                                      |                          |
|--------------------------------------|--------------------------|
| Overall appliance dimensions (HxWxD) | 1/4" +4" x 37" x 21 1/4" |
| Required cutout size (HxWxD)         | 4" x 34 7/8" x 20"       |
| Minimum distance from counter front  | 2 1/4"                   |
| Minimum distance from rear wall      | 2"                       |
| Net weight                           | 37 lbs                   |

## Accessories—Optional



**HEZ390210**  
8" AutoChef® pan



**HEZ390220**  
9" AutoChef® pan



**HEZ390230**  
10" AutoChef® pan

**For help and assistance with Bosch accessories please visit: [www.bosch-eshop.com/eshop/bosch/us](http://www.bosch-eshop.com/eshop/bosch/us) or call 1-800-944-2904 Mon-Fri 5am to 6pm PST Sat 6am to 3pm PST**

Notes: All height, width and depth dimensions are shown in inches. BSH reserves the absolute and unrestricted right to change product materials and specifications, at any time, without notice. Consult the product's installation instructions for final dimensional data and other details prior to making cutout. Applicable product warranty can be found in accompanying product literature or you may contact your account manager for further details.

Warranties: Bosch warrants that the Product is free from defects in materials and workmanship for a period of three hundred and sixty-five (365) days from the date of purchase. The foregoing timeline begins to run upon the date of purchase, and shall not be stalled, tolled, extended, or suspended, for any reason whatsoever. This Product is also warranted to be free from cosmetic defects in material and workmanship (such as scratches of stainless steel, paint/porcelain blemishes, chip, dents, or other damage) to the finish of the Product, for a period of thirty (30) days from the date of purchase or closing date for new construction. This cosmetic warranty excludes slight color variations due to inherent differences in painted and porcelain parts, as well as differences caused by kitchen lighting, product location, or other similar factors. This cosmetic warranty specifically excludes any display, floor, "As Is", or "B" stock appliances.

**For more information on our entire line of products, go to [www.bosch-home.com/us](http://www.bosch-home.com/us) or call 1-800-944-2904**

© BSH Home Appliances Corporation. All rights reserved. Bosch is a registered trademark of Robert Bosch GmbH.

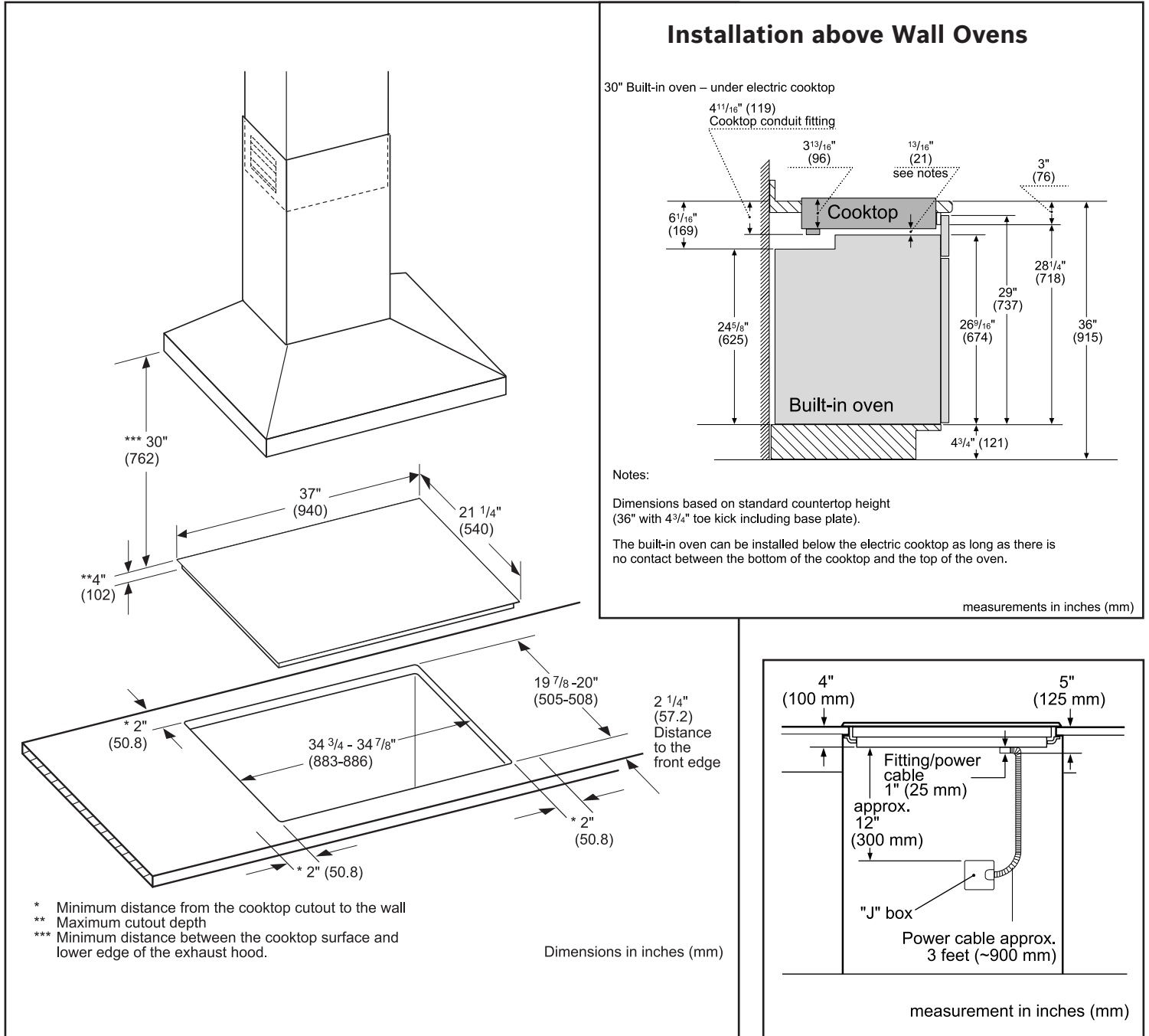
05/16

# 36" Electric Cooktop

800 Series - Black Frameless NET8668UC



## Installation Details



For help and assistance with Bosch accessories please visit: [www.bosch-eshop.com/eshop/bosch/us](http://www.bosch-eshop.com/eshop/bosch/us) or call 1-800-944-2904 Mon-Fri 5am to 6pm PST Sat 6am to 3pm PST

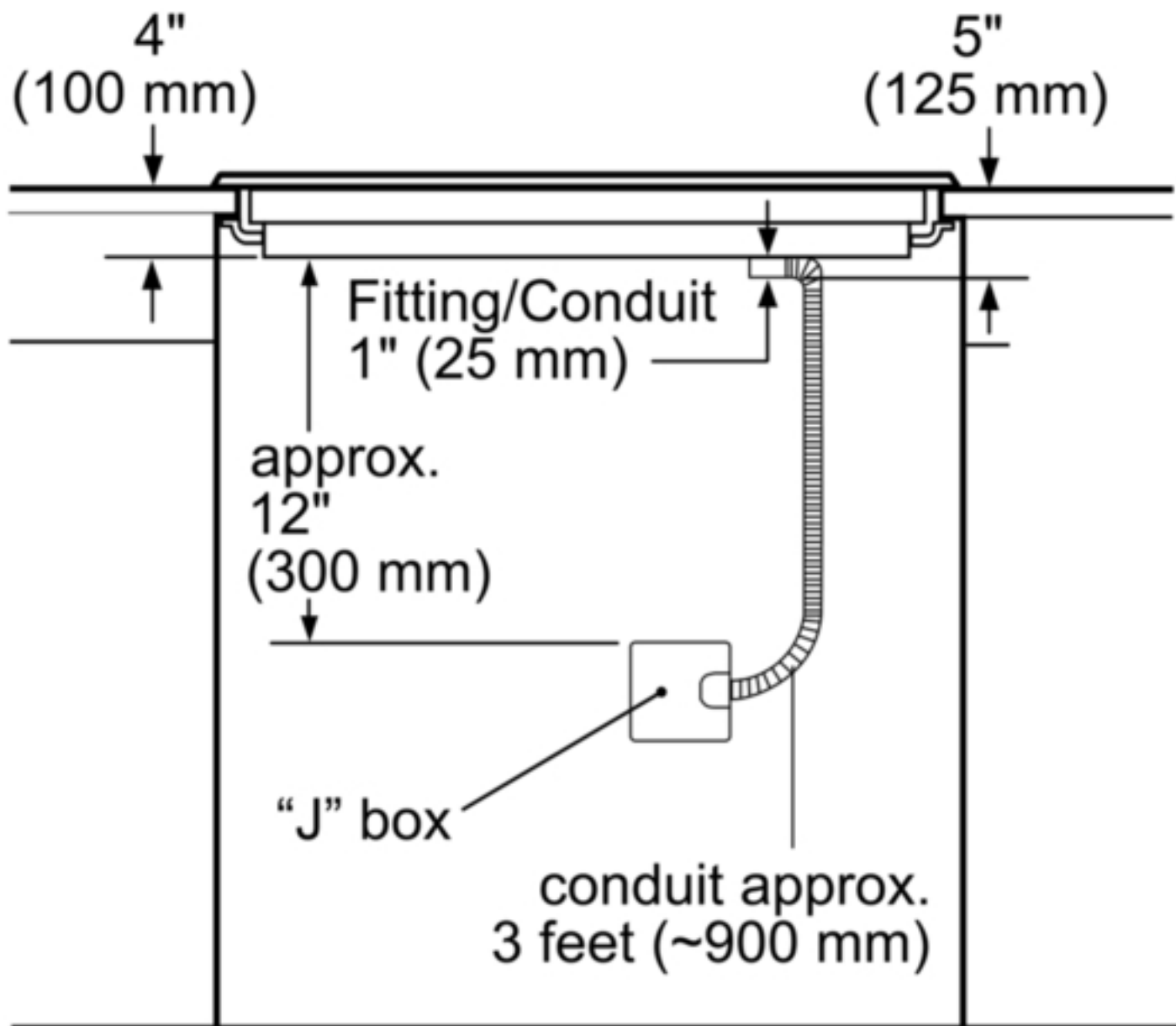
Notes: All height, width and depth dimensions are shown in inches. BSH reserves the absolute and unrestricted right to change product materials and specifications, at any time, without notice. Consult the product's installation instructions for final dimensional data and other details prior to making cutout. Applicable product warranty can be found in accompanying product literature or you may contact your account manager for further details.

Warranties: Bosch warrants that the Product is free from defects in materials and workmanship for a period of three hundred and sixty-five (365) days from the date of purchase. The foregoing timeline begins to run upon the date of purchase, and shall not be stalled, tolled, extended, or suspended, for any reason whatsoever. This Product is also warranted to be free from cosmetic defects in material and workmanship (such as scratches of stainless steel, paint/porcelain blemishes, chip, dents, or other damage) to the finish of the Product, for a period of thirty (30) days from the date of purchase or closing date for new construction. This cosmetic warranty excludes slight color variations due to inherent differences in painted and porcelain parts, as well as differences caused by kitchen lighting, product location, or other similar factors. This cosmetic warranty specifically excludes any display, floor, "As Is", or "B" stock appliances.

For more information on our entire line of products, go to [www.bosch-home.com/us](http://www.bosch-home.com/us) or call 1-800-944-2904

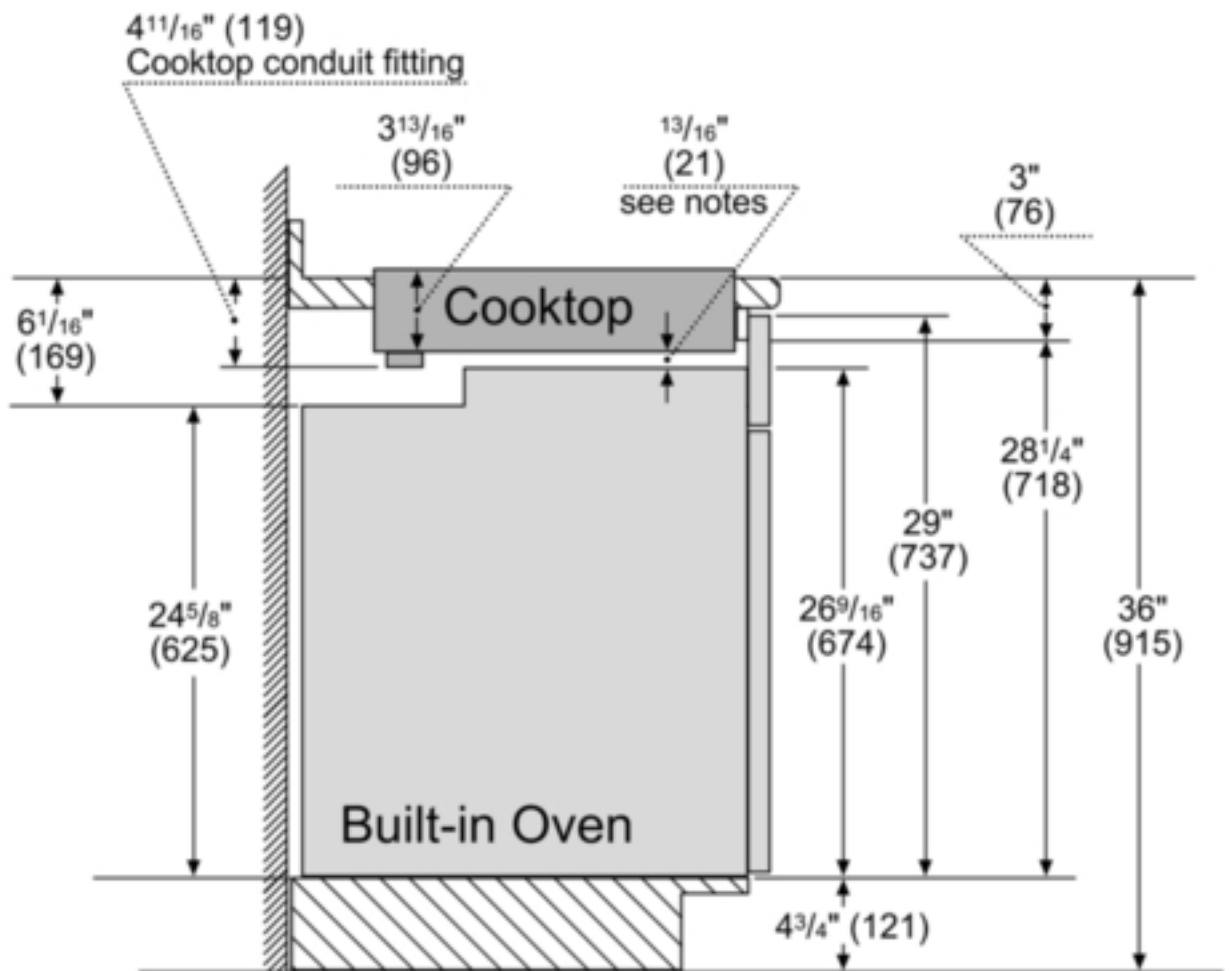
© BSH Home Appliances Corporation. All rights reserved. Bosch is a registered trademark of Robert Bosch GmbH.

05/16



measurement in inches (mm)

30" Built-in oven - under electric cooktop

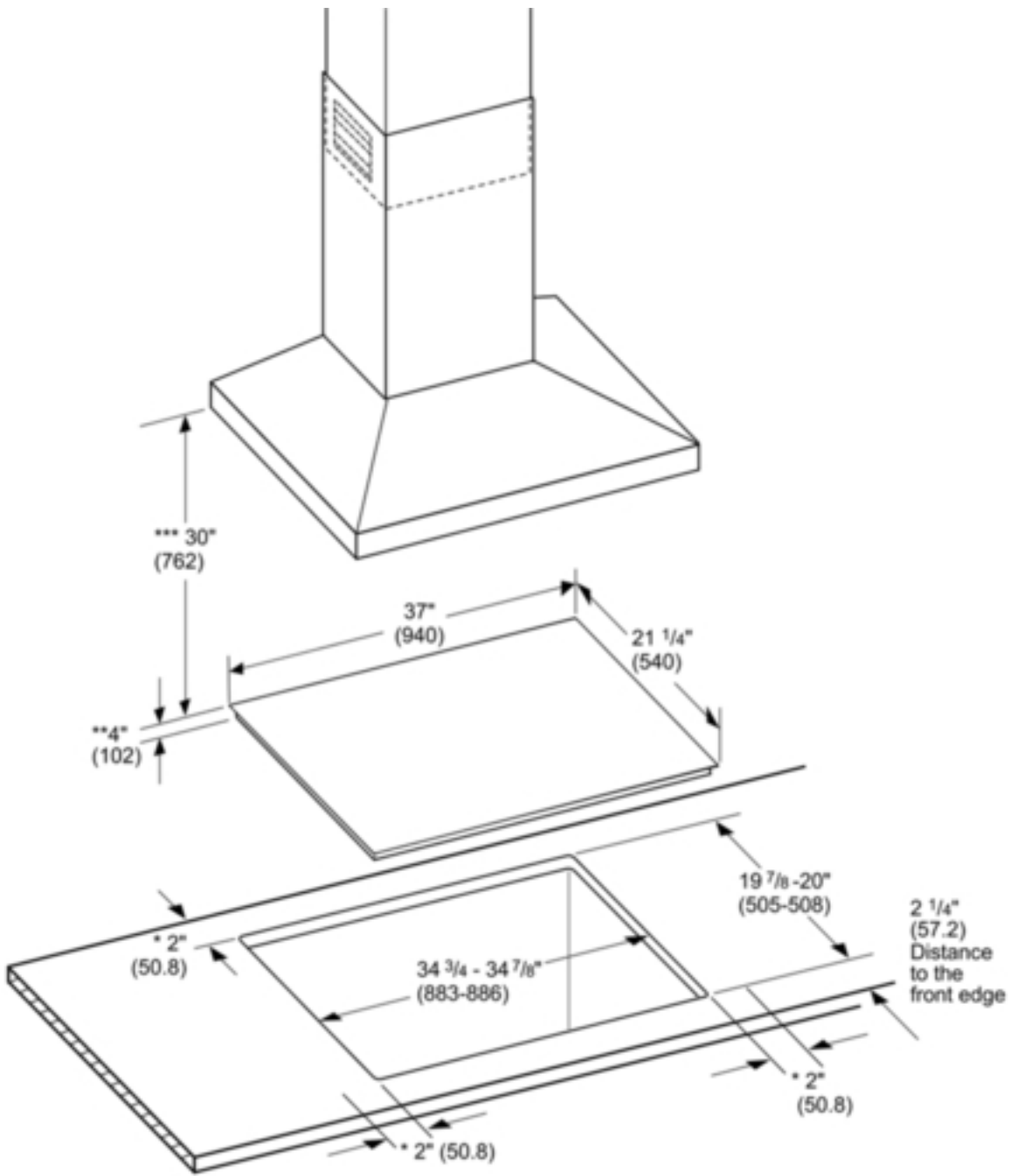


Notes:

Dimensions based on standard countertop height (36" with  $4\frac{3}{4}$ " toe kick including base plate).

The built-in oven can be installed below the electric cooktop as long as there is no contact between the bottom of the cooktop and the top of the oven.

measurements in inches (mm)



- \* Minimum distance from the cooktop cutout to the wall
- \*\* Maximum cutout depth
- \*\*\* Minimum distance between the cooktop surface and lower edge of the exhaust hood.

Dimensions in inches (mm)