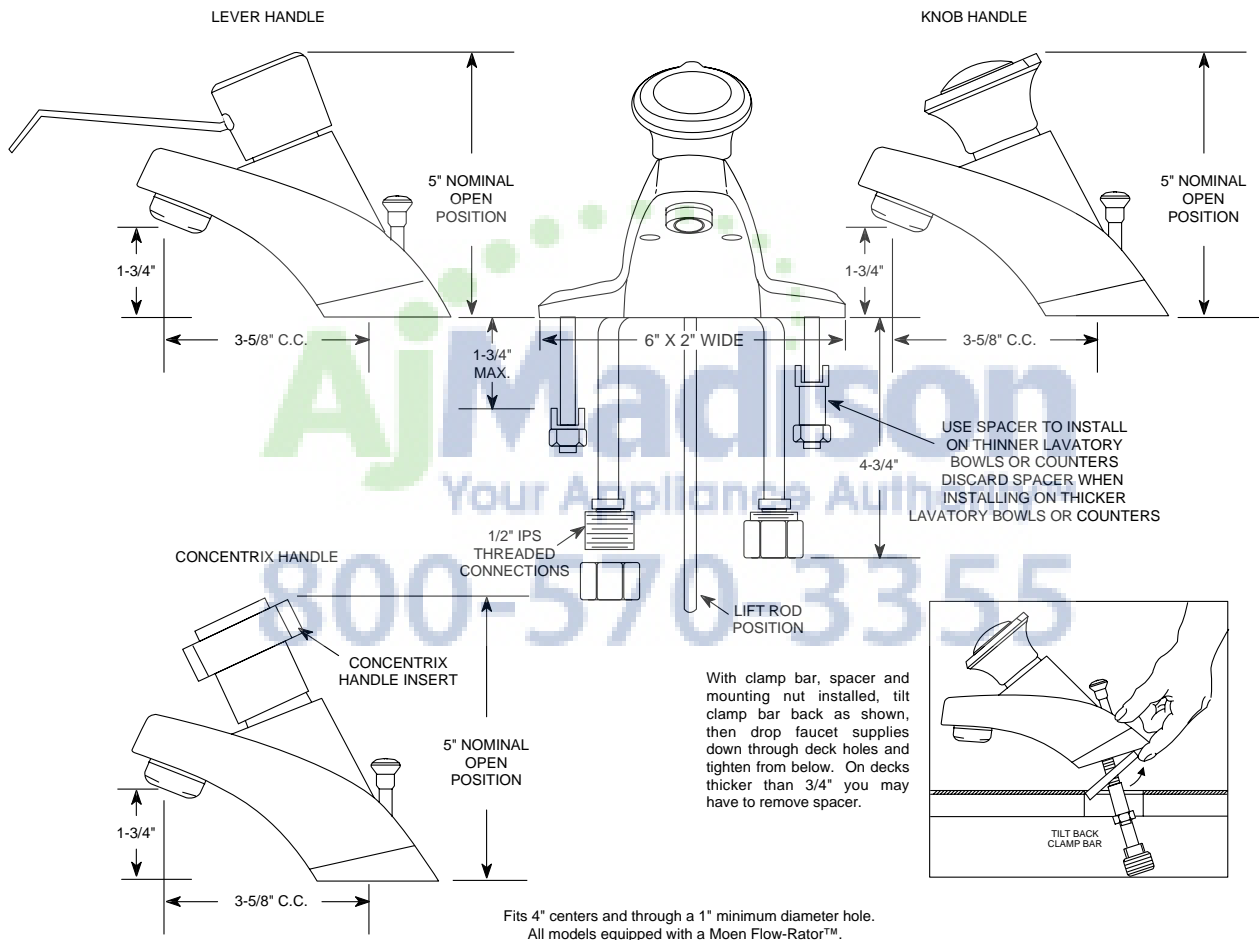




INSTALLATION INSTRUCTIONS

LAVATORY FAUCETS

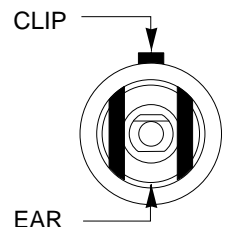
Four-Inch Centerset



Complies with ASME A112.18.1M and CSA B125

CAUTION: Always turn water off before disassembling the valve. Open valve handle to alleviate water pressure to insure that complete water shut-off has been accomplished.

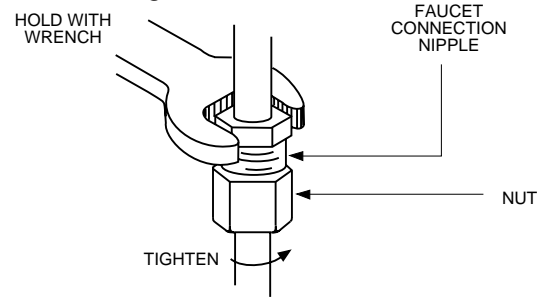
Before turning water on during either rough-in or trim-out, make sure that the cartridge retainer clip is in place. The cartridge and retainer clip were properly installed and tested before leaving the factory. Although it is unlikely, it is nevertheless possible that through the handling of the valve by any number of persons the retainer clip may not be properly installed. This should be carefully checked at time of rough-in and trim-out. If the retainer clip is not properly installed, water pressure could force the cartridge out of the casting. Personal injury or water damage to the premises could result.



Installation

Be sure lavatory or mounting surface is clean and dry. Place a bead of plumber's putty around the inside lip of the gasket, position gasket on deck. Assemble clamp bars, spacers if needed, and mounting nuts to escutcheon studs. Tilt clamp bars back as shown in illustration, then place faucet supplies and studs down through the deck holes.

WARNING: Hold the faucet connection nipples with a wrench when tightening to prevent twisting and collapse of the tubing.



Flushing

IMPORTANT:

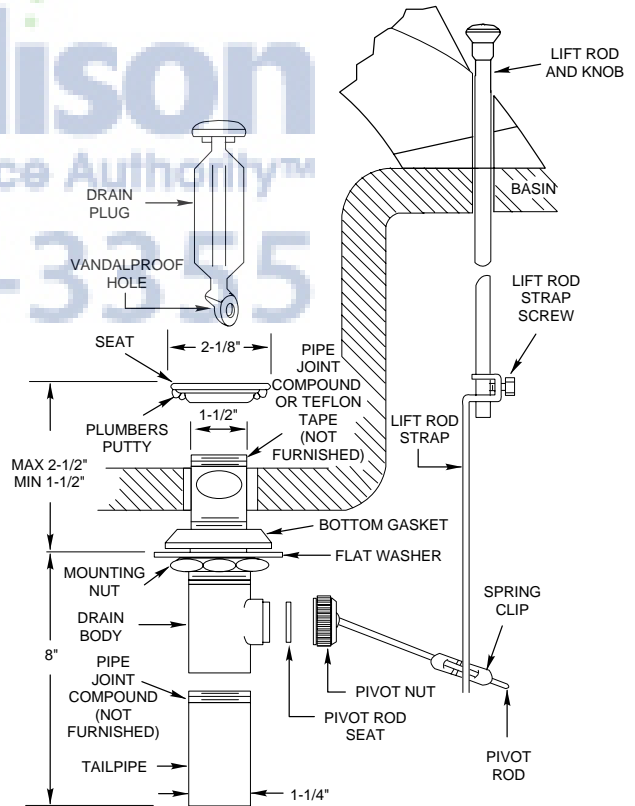
Pipe chips, sand, stones and other solids found in new and renovated plumbing can damage the sealing surface of the faucet cartridge and cause a leak. To avoid damage, DO NOT OPERATE VALVE until you have followed these instructions:

1. After installing and connecting your new faucet turn the valve on in the full cold position (handle pointing to the right) and turn on the cold supply for 15 seconds.
2. Without closing the valve turn to the full hot position (handle pointing to the left) and turn on the hot supply for 15 seconds.
3. Close the valve, unscrew aerator from the end of the spout and clean the cone screen.
4. Replace aerator. Check for leaks.

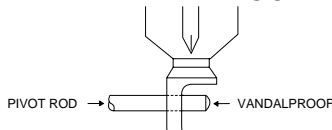
Lift Rod & Waste Assembly

(For model with grid strainer assembly follow steps 1-3 only)

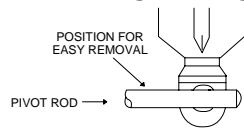
1. Thoroughly clean around drain opening in lavatory basin. Apply 1/4 inch bead of plumber's putty (not furnished) around the underside of seat (as shown).
2. Apply pipe joint compound or Teflon tape (not furnished) to top threaded end of the drain body. Slip drain body up through the drain opening and screw seat on the drain body.
3. Position the drain body (with pivot rod opening extending rearward) and tighten mounting nut until the drain body is snug. Wipe excess plumber's putty from the seat area. Apply pipe joint compound (not furnished) to top threaded end of tailpipe and screw into the drain body. Tighten firmly by hand.
4. Position the drain plug in either of the following ways:
 - A. VANDALPROOF - This design is to prevent unauthorized removal of the drain plug. Unscrew the pivot nut and remove the pivot rod. Inside the drain body position the pivot rod through the drain plug hole as shown in the illustration below. Screw the pivot nut back on the drain body. DO NOT OVERTIGHTEN.
 - B. EASY REMOVAL - This design is for quick removal of drain plug for cleaning. Just drop in the drain plug as shown in the illustration below.



A. VANDALPROOF



B. EASY REMOVAL



5. Hook up lift rod and knob, lift rod strap and spring clamp as shown.
6. With the drain plug in full open position, adjust lift rod and knob to clear faucet and tighten lift rod strap screw.

Disassembly

CAUTION: Turn OFF both hot and cold water supplies. Open handle to alleviate water pressure to insure that complete water shut-off has been accomplished.

For Knob Models:

1. Remove handle cover, handle screw, knob, stop tube, washer, and retainer clip.

For Concentrix Handle Models:

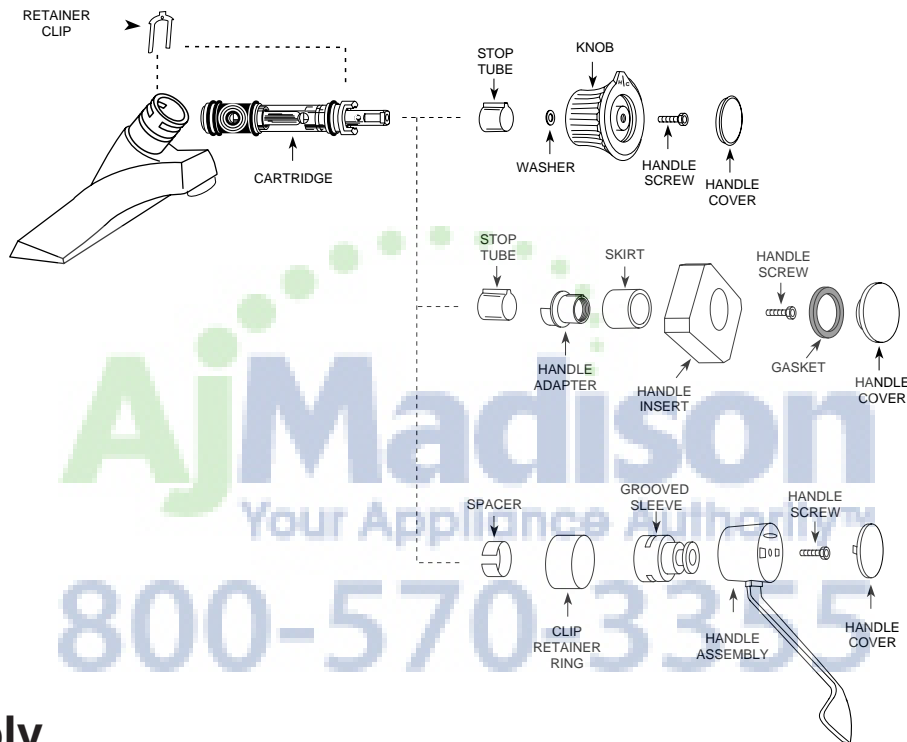
1. Remove handle cover, gasket, handle screw, handle insert, handle skirt, handle adapter, stop tube, and retainer clip.

For Lever Handle Models:

1. Remove handle cap and handle screw. Lift handle assembly up, keep the cartridge stem in the closed position, tilt up and off. Remove clip retainer ring and retainer clip. Slide off grooved sleeve and spacer.

For All Models:

2. Using the cartridge twisting tool (furnished with the new Moen cartridge) and pliers, turn the cartridge back and forth between 11 and 1 o'clock, then grasp the cartridge stem and pull out the cartridge. If the cartridge is difficult to remove, use a Moen cartridge puller.



Reassembly

Fully insert the cartridge until the top of the cartridge ears are level with the top of the faucet body. Position the cartridge ears up and down to allow insertion of the retainer clip (see illustration on page one). Replace the retainer clip (for lever handles replace spacer, grooved sleeve, retainer clip, and clip retainer ring) so that the legs straddle the cartridge ears and slide down into the bottom slot in the body. This prevents the cartridge from rotating and locks it in the body. Reinstall handle parts (For concentrix models make sure the gasket fits up under and into the handle cover recess, then screw on the handle cover and hand tighten). Tighten handle screw securely. Press on handle cover. The notched flat on the stem must point UP when mounting Knob or Concentrix Handles, DOWN for Lever Handle models.

To Eliminate Cross-Piping on Back-To-Back Installations, or To Correct Reversed Rough-In Where Hot and Cold Positions Are Reversed

Remove handle parts and stop tube (see "Disassembly"). Turn cartridge stem around so that the notched flat is turned one half turn or 180°. Reinstall handle parts. Tighten handle screw securely; replace handle cover.

Cleaning & Care Instructions for Special Finish Models:

All that is necessary to clean these faucets is to wipe them with a soft, damp cloth such as terrycloth. Warm water will remove dry water spots. **CAUTION:** DO NOT use cleansers which contain abrasives or harsh chemicals. NEVER use alcohol or other organic solvents. A high quality, non abrasive wax polish applied occasionally will help to preserve the deep tones of the finish.

Consumer Information

Faucets made of leaded brass alloys may contribute small amounts of lead to water that is allowed to stand in contact with the brass. The amount of lead contributed by any faucet is highest when the faucet is new. The following steps may reduce potential exposure to lead from faucets and other parts of the plumbing system:

- Always run the water for a few seconds prior to use for drinking or cooking.
- Use only cold water for drinking or cooking.
- If you wish to flush the entire plumbing system of water that has been standing in the pipes or other fittings, run the cold water until the temperature of the water drops, indicating water coming from the outside main.
- If you are concerned about lead in your water, have your water tested by a certified laboratory in your area.



HELPLINE:
For answers to any product, installation, replacement parts or warranty questions, call our consumer helplines.

In the U.S., toll free:
1-800-321-6636

In Canada call:
Toronto, 905-829-3400
Rest of Canada, 1-800-465-6130



Moen Incorporated 25300 Al Moen Drive, North Olmsted, OH 44070-8022, U.S.A.
In Canada:
Moen Inc. 2816 Bristol Circle, Oakville, Ontario L6H5S7