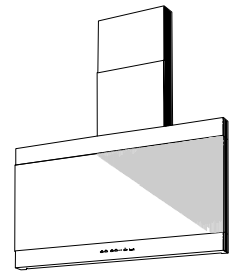


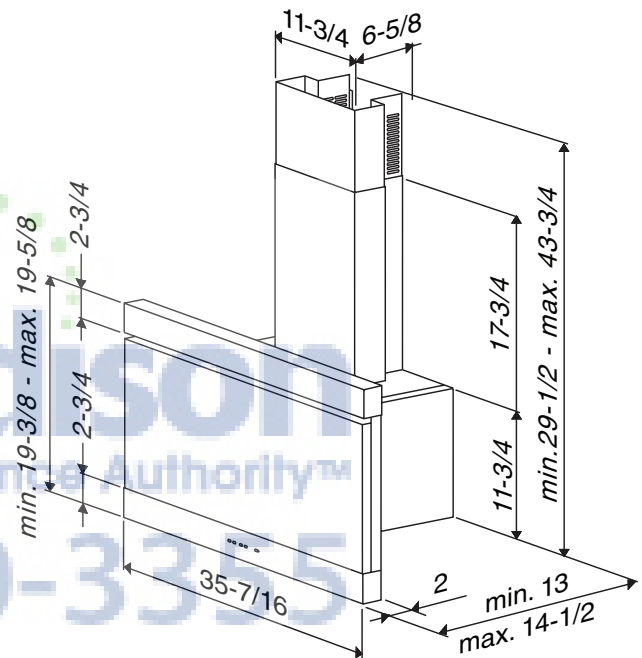
MODULARE WC33I90SB RANGE HOOD



If you prefer the texture of cabinetry, the color of the counter or the different materials work with one another, MODULARE is a hood that is open to ideas. Designed to accept any custom panel it literally can frame your imagination.

FEATURES

- Italian design
- Wall mount
- Finishes: 430 Stainless Steel, Polished
- Width: 90 cm (35-7/16")
- Ducted/non-ducted telescopic flue accommodates 8' to 9' ceilings (Purchase non-duct recirculation kit separately.)
- 6" round duct connector/backdraft damper
- 2-level, halogen lighting (2 bulbs included. Type T4, G9 base, 120 volt, 25 watts max.)
- 4-speed electronic blower control with LED speed indicator
- Quiet, variable-speed centrifugal blower with high-efficiency motor produces 490 CFM of exhaust
- Heat Sentry™ - automatically turns blower to high speed when excess cooking heat is detected
- Delay timer control automatically shuts off range hood after 10 minutes
- Filter clean reminder
- Dishwasher-safe filter features a quick-release latch
- For indoor use only



OPTIONS

- Non-ducted recirculation kit (Model ANKWC33)
- Replacement charcoal filters available (Model FILTEREB40)



HVI-2100 CERTIFIED RATINGS comply with new testing technologies and procedures prescribed by the Home Ventilating Institute, for off-the-shelf products, as they are available to consumers. Product performance is rated at 0.1 in. static pressure, based on tests conducted in a state-of-the-art test laboratory. Sones are a measure of humanly-perceived loudness, based on laboratory measurements.

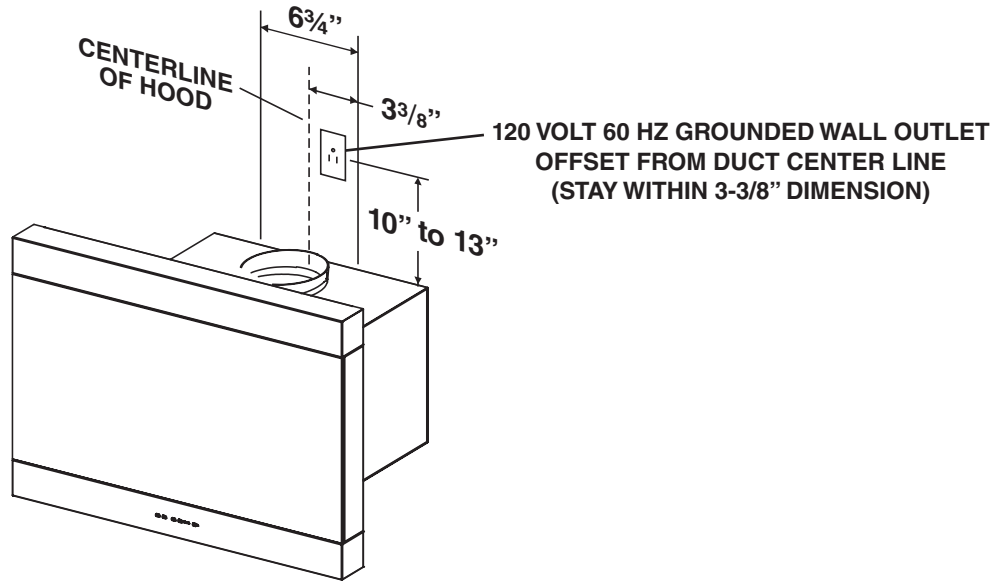
SPECIFICATIONS

VOLTS	HZ	AMPS	CFM		SONES		DUCT
			MAX.	NORM.	MAX.	NORM.	
120	60	3.12	490	220	8.5	3.0	6" round

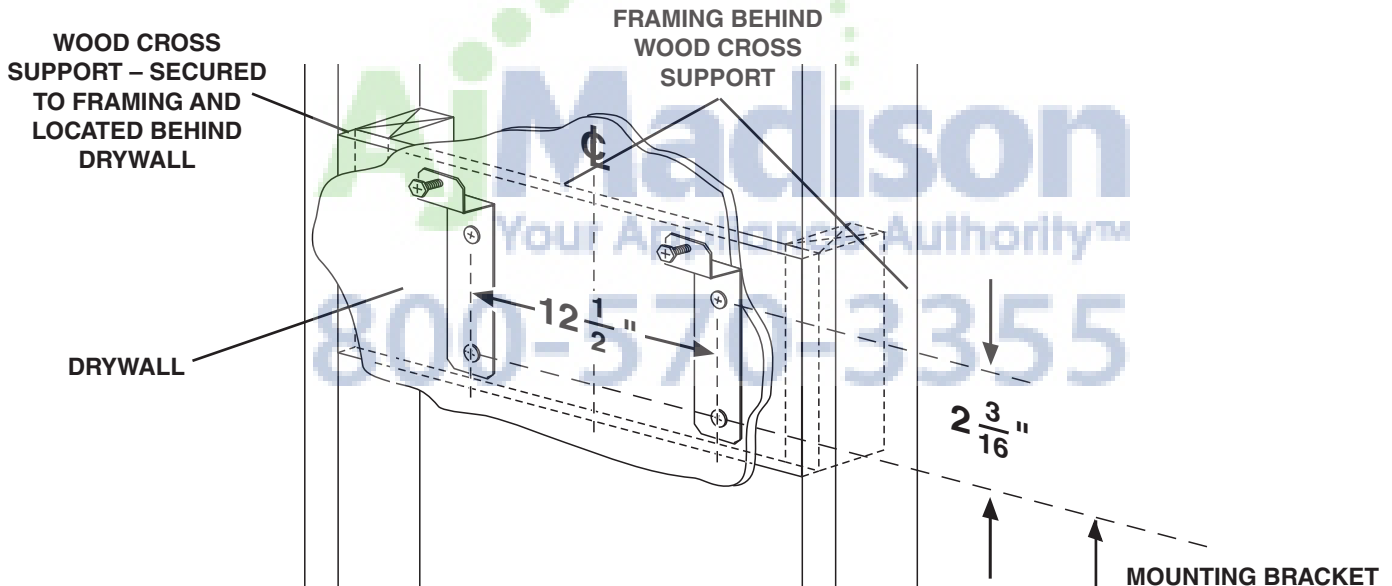
BEST Hartford, Wisconsin www.BestRangeHoods.com 800-558-1711
 BEST Drummondville, QC, Canada www.BestRangeHoods.com 866-737-7770

REFERENCE	QTY.	REMARKS	Project
			Location
			Architect
			Engineer
			Contractor
			Submitted by
			Date

WC33I90SB WIRING



WC33I90SB MOUNTING



CEILING HEIGHT	DUCT METHOD	HOOD DISTANCE ABOVE 36" HIGH COOK TOP (see note below)						
		24"	25"	26"	27"	28"	29"	30"
		MOUNTING BRACKET LOCATION ABOVE 36" HIGH COOK TOP						
8 FEET	DUCTED OR NON-DUCTED	35"	36"	37"				
9 FEET	DUCTED OR NON-DUCTED	35"	36"	37"	38"	39"	40"	41"

Note : Minimum hood distance above cook top must not be less than 24".
 A maximum of 30" above cook top is highly recommended for best capture of cooking impurities.
 Distances over 30" are at the installer and user's discretion; and if ceiling height and flue length permit.

