



WASH MORE. FEWER LOADS.

Front Load Washer

MLH52S7AGS Graphite Silver
MLH52S7AWW White

Largest Capacity Front-Load Washer in a standard width. The Midea 5.2 Cu. Ft. Front Load Washer has 14 cycles along with extra rinse and soak options. Reduced vibration technology keeps heavier loads balanced for quieter washing even at high spin speeds — perfect for a second floor laundry room. The standard 27" width lets you locate it just about anywhere.

Large, 5.2 Cu. Ft. Capacity

The largest capacity in a standard 27" width. Fit more towels and sheets in a single load saving time and effort.

Dynamic Vibration Control

Reduces vibration and noise, keeping heavy loads balanced even at high spin speeds.

Inverter Motor

Ensures reliability along with precision speed control. Backed by a 10-year warranty.

Internal Heater

Brings water temp. up to 160°F for sanitization and powers steam cycles for better fabric care.

ENERGY STAR® Certified

Conserves energy while lowering your electric bill.

Front Load Washer

Models MLH52S7AGS, MLH52S7AWW

SPECIFICATIONS

Models	MLH52S7AGS / MLH52S7AWW	
UPC	810004812505 (MLH52S7AGS) / 810004812475 (MLH52S7AWW)	
Color	Graphite Silver (MLH52S7AGS) / White (MLH52S7AWW)	
PERFORMANCE		
ENERGY STAR®	Yes	
Max Spin Speed (RPM)	1300	
Vibration Reduction	Yes	
UL Certification	Yes	
FEATURES		
Capacity (cu. ft.)	5.2	
No. of Cycles	14 (Normal/Colors, Bulk/Sheets, Heavy Duty, Whites, Towels, Sanitize, Hand Wash, Quick Wash, Delicates, Baby Care, Casual, Sportswear, Tub Clean, Rinse & Spin)	
No. of Options	9 (Steam, Signal, Water Plus, Speed Wash, Extra Rinse, Pre Wash, Control Lock, My Cycle, Delay)	
Automatic Temperature Control	Yes	
Automatic Load Sensing	Yes	
No. of Soil Levels	5 (Extra Heavy, Heavy, Medium, Light, Extra Light)	
No. of Temperature Selections	5 (Extra Hot, Hot, Warm, Eco Warm, Tap Cold)	
No. of Spin Speeds	5 (Extra High, High, Medium, Low, No Spin)	
Internal Water Heater / Sanitize	Yes	
Steam Function	Yes	
Detergent Dispenser	Pre-wash, Bleach, Softener	
Delay Start	Yes	
Child Lock	Yes	
Pre-wash	Yes	
Extra Rinse	Yes	
Drum Light	Yes	
My Cycle	Yes	
Stackable	Yes	
Time-Remaining Display	Yes	
End-Of-Cycle Signal	Yes	
ELECTRICAL		
Voltage (V)	120	
Amperage (A)	10	
Power Cord Included	Yes	
PHYSICAL ATTRIBUTES		
Included Accessories	Drain Hose Guide, Inlet Hose Screen Washers (2), Cable Tie	
Optional Accessories	Pedestal (MLP1WW / MLP1GS), Stacking Kit (MSTK1)	
Control Panel	Dial / Touch	
Control Panel Screen / Color	LED / White	
Tub/Drum Material	Stainless Steel	
Door	Glass / Chrome Door	
Door Cover	Gray Clear	
Dimensions (W*D*H)	in	27 x 34.2 x 39.8
	cm	68.6 x 86.9 x 101
Depth with Door Open (in / cm)	55.5 / 141	
Weight (lbs / kg)	240 / 108.8	
Warranty	Parts & Labor, 1 Year	

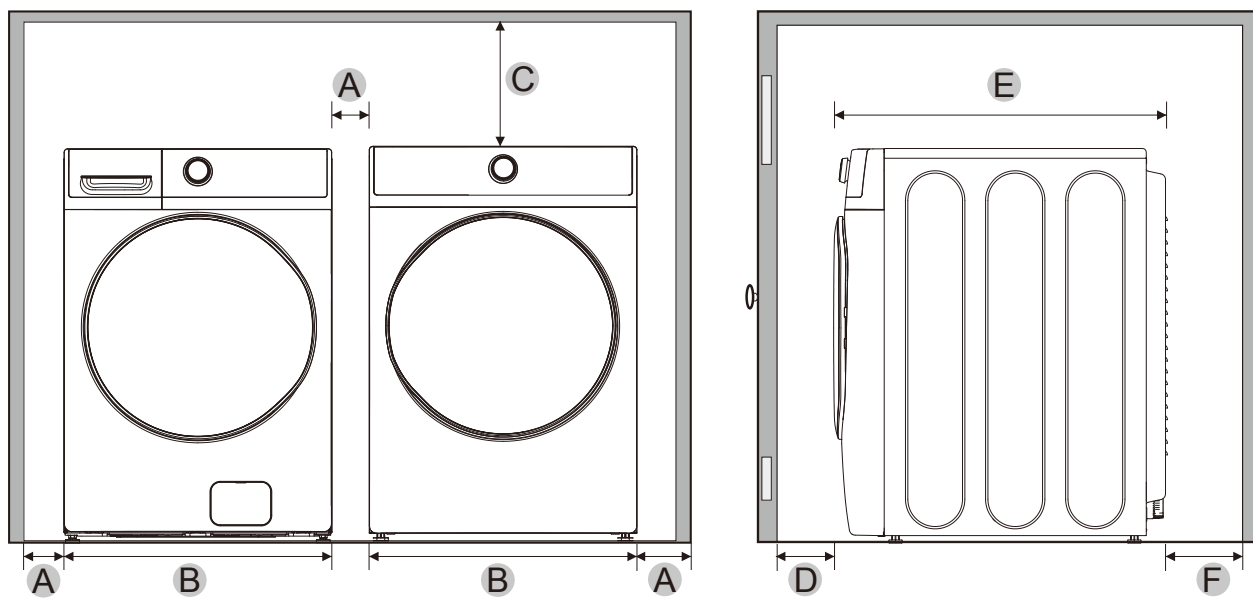
Front Load Washer

Models MLH52S7AGS, MLH52S7AWW

Alcove or Closet or Wall Insert/Recessed Installations

Minimum clearances between the dryer and adjacent walls or other surfaces:

Sides (in / mm)	1 / 25	Rear (in / mm)	5 / 127
Top (in / mm)	24 / 610	Closet Front (in / mm)	2 / 51



A (in / mm)	1 / 25	C (in / mm)	24 / 610	E (in / mm)	33.7 / 855
B (in / mm)	27 / 686	D (in / mm)	2 / 51	F (in / mm)	5 / 127

WARNING

- The dryer must be exhausted to the outside to reduce risk of fire when installed any place inside the house.
- No other fuel-burning appliance should be installed in the same closet as the dryer.