

MILANO island

A standard of the Europa Collection, Milano island now enjoys the advanced technology of Zephyr's DCBL Suppression System™. A bold technological breakthrough, DCBL Suppression™ transforms the Milano island into the quietest, most powerful and energy efficient range hood available today. While Milano maintains the classic curved-canopy design, its performance genetics are entirely new. Available in glass, stainless steel or optional smoke-gray glass canopies.

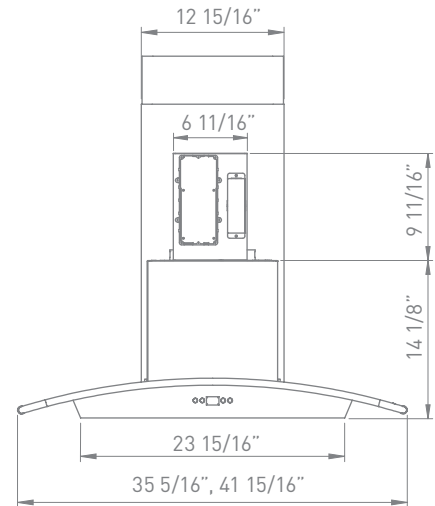
MODEL	SIZE	INTERNAL BLOWER		IN-LINE/EXTERNAL	
		Min.-Max. CFM	Min.-Max. Sones	Min.-Max. CFM	Min.-Max. Sones
ZML-M90BG / ZML-M90BS	36"	250 - 715	0.8 - 5.8	NA	NA
ZML-E42BG / ZML-E42BS	42"	250 - 715	0.8 - 5.8	NA	NA



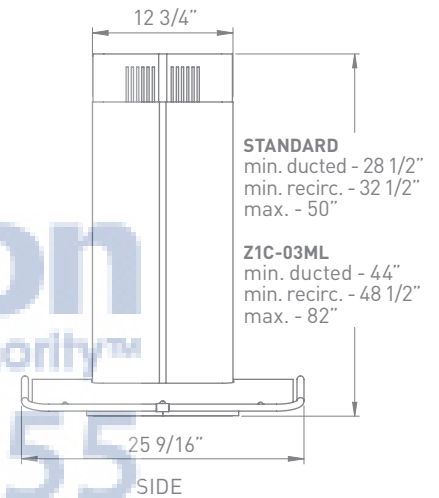
All Next Generation Europa range hoods are equipped with DCBL Suppression™ technology, including Bloom™ HD LED light bulbs. To learn more, visit us at zephyronline.com.



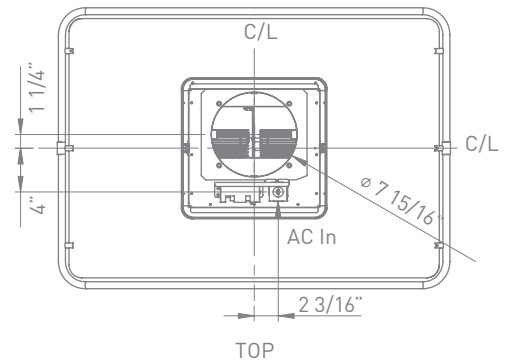
SIZE	
ZML-M90BG / ZML-M90BS	36"
ZML-E42BG / ZML-E42BS	42"
PERFORMANCE	
INTERNAL, MIN.-MAX. BLOWER CFM	250 - 715
INTERNAL, MIN.-MAX. SONES	0.8 - 5.8
COLOR	
STAINLESS STEEL	
ZML-M90BG / ZML-E42BG	SS w/Glass Canopy
ZML-M90BS / ZML-E42BS	SS
FEATURES	
CONTROLS	Electronic LCD
SPEED LEVELS	5 + Burst
AUTO DELAY-OFF	Yes
LIGHTING	Bloom LED 3W x 4
DUAL LEVEL LIGHTING	Yes
FILTERS	Aluminum Mesh
RECIRCULATING OPTION	Yes
EXTENSION DUCT COVER OPTION	Yes, Up to 12' Ceiling
DUCT SPECIFICATIONS	
VERTICAL - INTERNAL	8"
HORIZONTAL - INTERNAL	NA
AC INPUT	120V - 60Hz
AC POWER	Max. 215W at 3.5A
OPTIONAL ACCESSORIES	
RECIRCULATING KIT	ZRC-00ML
EXTENSION DUCT COVER	Z1C-03ML
SMOKE-GRAY GLASS CANOPY	ZMG-03GY
MOUNTING HEIGHT*	26" - 34"



FRONT



SIDE



TOP

		CEILING HEIGHT								
		8'	8.5'	9'	9.5'	10'	10.5'	11'	12'	
STANDARD DUCT COVER	Ducted Mounting Height*	26"-31.5"	26"-34"	26"-34"	28"-34"	34"-34"	NA	NA	NA	
	Recirc. Mounting Height*	26"-27.5"	26"-33.5"	26"-34"	28"-34"	34"-34"	NA	NA	NA	
EXTENSION DUCT COVER	Ducted Mounting Height*	NA	NA	NA	26"-30"	26"-34"	26"-34"	26"-34"	28"-34"	
	Recirc. Mounting Height*	NA	NA	NA	26"-34"	26"-34"	26"-34"	26"-34"	28"-34"	

*Mounting height refers to distance between top of a 36" tall cooking surface and bottom of hood.