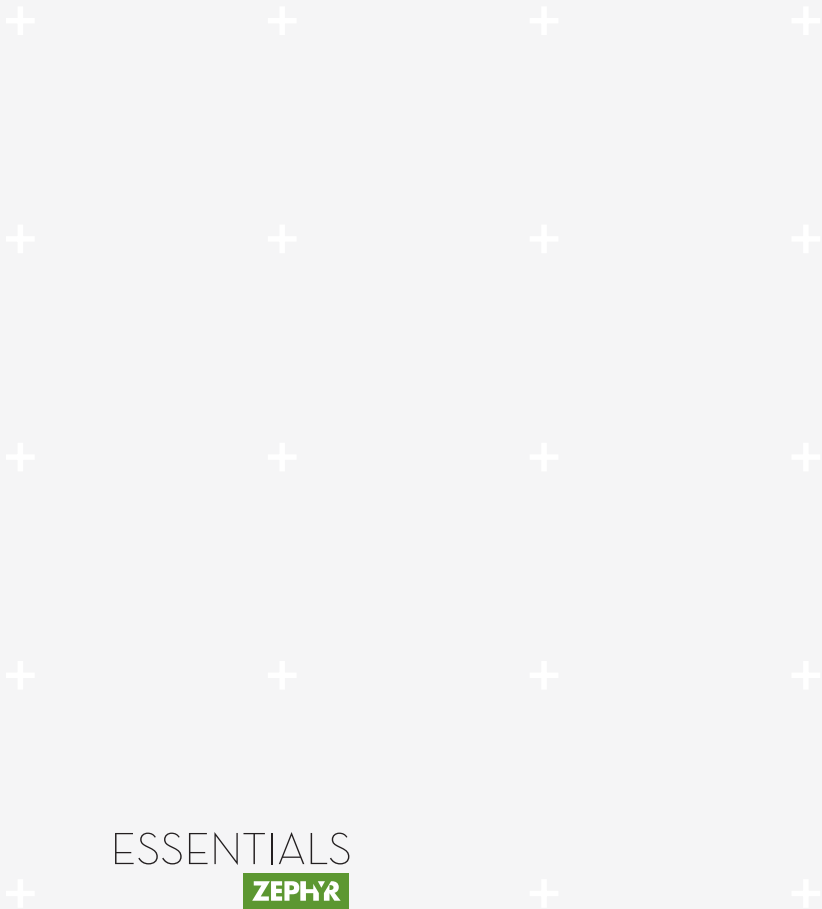
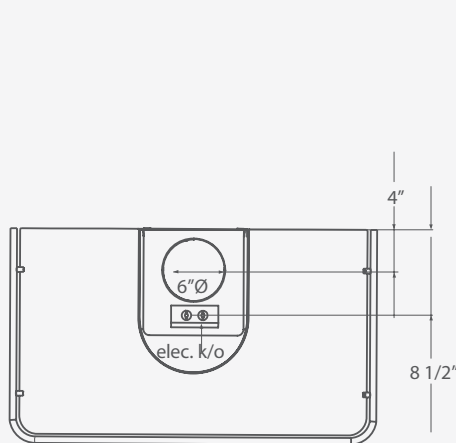


MILANO G WALL  
MILANO S WALL

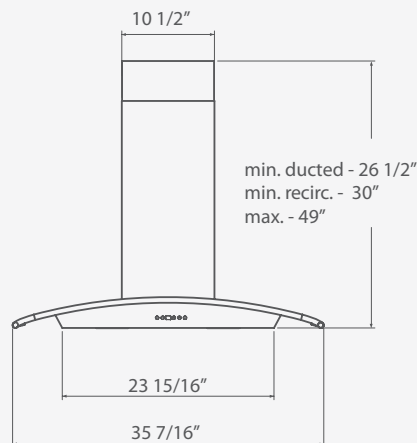
A wing-like stainless steel or glass arch defines the Deco-inspired design of the Milano S and Milano G. The stainless steel option provides a durable, minimalist touch while a glass canopy alternative lets natural light sift to the work surface below. Either way, expect uncompromised engineering—with features like high-performance blowers and touch sensitive controls—and, as always, maximum style.



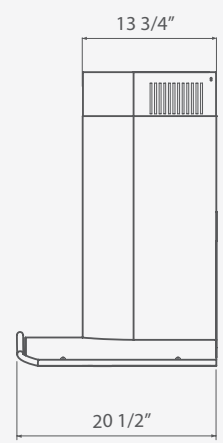
# ESSENTIALS



Top



Front



Side

## MILANO GLASS CANOPY AND STAINLESS STEEL CANOPY

	MODEL	ZMI-M90AG	ZMI-M90AS
WALL	SIZE	36"	36"
	NET WIDTH	35 7/16"	35 7/16"
	PERFORMANCE		
	Internal Blower	715 CFM, 6 Sones Max.	715 CFM, 6 Sones Max.
	COLOR		
	Stainless Steel	SS w/Glass Canopy	SS
	FEATURES		
	Controls	Electronic Touch	Electronic Touch
	Speed Levels	6	6
	Auto Delay-Off	Yes	Yes
Lighting	Halogen, 50W x 2	Halogen, 50W x 2	
Dual-Level Lighting	Yes	Yes	
Filters	Metal Mesh x 2	Metal Mesh x 2	
Recirculating	Yes	Yes	
Duct Cover Extension	Yes, Up to 14' Ceiling	Yes, Up to 14' Ceiling	
DUCT SPECIFICATIONS			
Internal Blower - Vertical	6"	6"	
Internal Blower - Horizontal	NA	NA	
AC INPUT	120V - 60Hz	120V - 60Hz	
AC POWER	Max. 400W, 3.3 Amps	Max. 400W, 3.3 Amps	
OPTIONAL ACCESSORIES			
Recirculating Kit	ZRC-0040	ZRC-0040	
Duct Cover Extension Kit	Z1C-00MI	Z1C-00MI	
Mounting Heights (Ducted)	Min. ceiling height 7'6". Hood mounted 28" above cooking surface; 64" from floor.	Max. ceiling height 10'1". Hood mounted 36" above cooking surface; 72" from floor.	
Mounting Heights (Recirculating)	Min. ceiling height 7'10". Hood mounted 28" above cooking surface; 64" from floor.	Max. ceiling height 10'1". Hood mounted 36" above cooking surface; 72" from floor.	

