

# 36" Extra-Slim Insert Hood

DA 2690 Stainless



# 36" Extra-Slim Insert Hood

## DA 2690 Stainless



### DA 2690 Stainless

#### Features:

- Extra slim insert fits in less than 12" upper cabinetry
- Vented or recirculating
- 4 LED ClearView lights
- 3 fan settings plus intensive level
- Removable, dishwasher-safe panel and grease filters
- Con@ctivity 2.0 - communication between hood and cooktop
- Fully integrated, controlled manually, via Con@ctivity 2.0 or via remote control
- Clean Cover
- Filter saturation indicator
- Delayed shutdown (5-15 minutes)

#### SPECIFICATIONS

DA 2690 — Item 28269055USA

Overall Unit Width	34 <sup>5</sup> / <sub>8</sub> " (880 mm)
Overall Unit Height	13 <sup>1</sup> / <sub>2</sub> " (342 mm)
Overall Unit Depth	11 <sup>1</sup> / <sub>2</sub> " (293 mm)
<b>Built-In</b>	
Minimum Opening Width	34 <sup>1</sup> / <sub>16</sub> " (865 mm)
Minimum Opening Depth	10 <sup>7</sup> / <sub>8</sub> " (276 mm)
Minimum Opening Height	12 <sup>5</sup> / <sub>8</sub> " (320 mm)
<b>Fan</b>	
Fan Speeds	4
Maximum CFM	625 CFM, (Reducing Collar is available to reduce Air flow to less than 400 CFM, more information on page 7)
<b>Duct</b>	
Duct Diameter	6" (150 mm)
<b>Electrical</b>	
Electrical Requirements	120V, 60Hz, 15A
Power Cord	Molded NEMA 5-15 plug, 2.5 ft (0.75 m)
<b>Shipping</b>	
Shipping Weight	35.5 lbs
Shipping Dimensions	37 <sup>13</sup> / <sub>16</sub> " W x 16" H x 18 <sup>1</sup> / <sub>8</sub> " D
<b>Support</b>	
Call Miele	800.843.7231
Miele Website	<a href="http://www.mieleusa.com">www.mieleusa.com</a>
20/20 Link	<a href="http://2020technologies.com">2020technologies.com</a>

#### Optional Accessories:



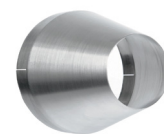
DUU 150  
Recirculation kit



DUU 151  
Recirculation kit



DKF19-1  
OdorFree Charcoal filter  
required accessory for  
recirculation mode



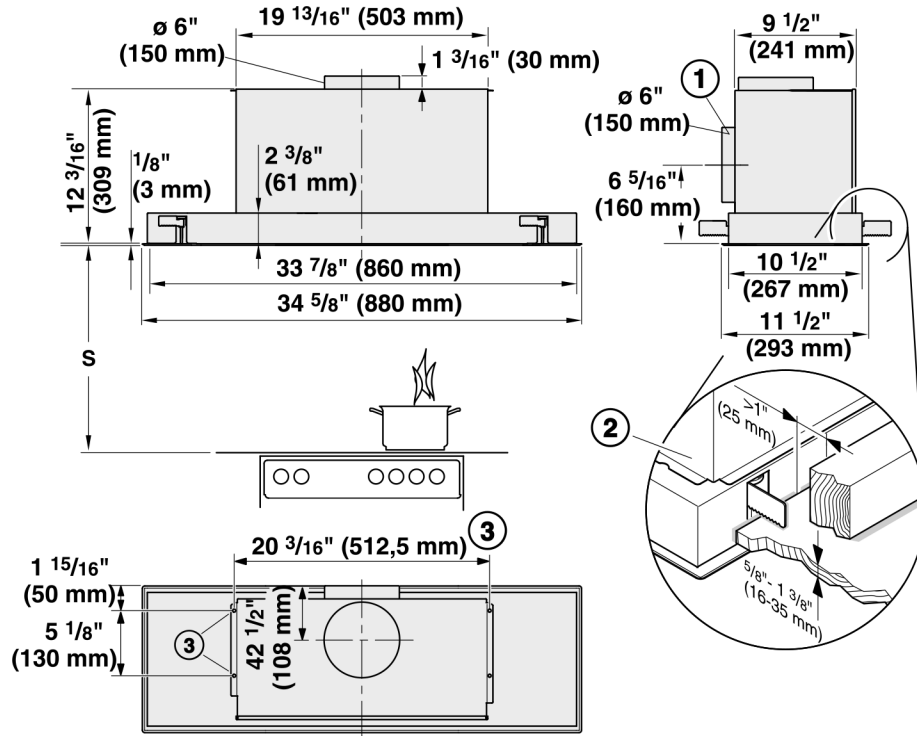
Reducing collar  
Reducing collar limits air  
flow to less than 400 CFM

# 36" Extra-Slim Insert Hood DA 2690 Stainless

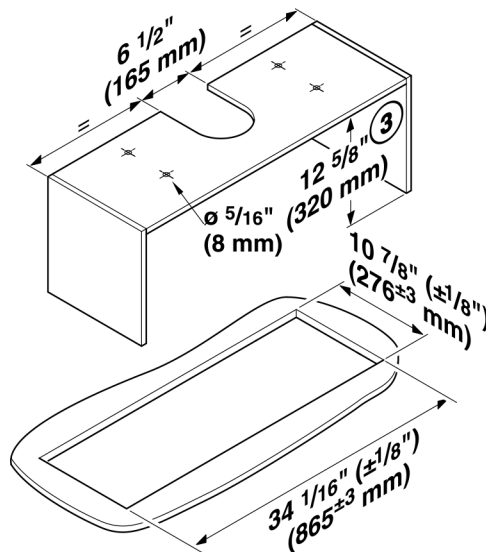


## INSTALLATION SPECIFICATIONS

### Product Details



### Niche/Cutout Details



- ① The ducting can also be connected at the back.
- ② The ventilation hood is secured in the cut-out by clamps. This requires that the installation surface is made of a solid material, such as wood. Make sure that the material is strong enough to bear the weight of the ventilation hood and the edge extraction panel. There must be a minimum distance of 1" / 25 mm between the areas around the clamps and any structures or components, such as struts or cables.
- ③ Alternatively, the ventilation hood can be secured to four fixing points on an interim shelf.

# 36" Extra-Slim Insert Hood

## DA 2690 Stainless



### INSTALLATION SPECIFICATIONS

Distance Between Cooktop and Ventilation Hood (S)

Provided a larger distance is not given by the manufacturer of the cooktop, follow the minimum safety distances between a cooktop and the bottom of the hood.

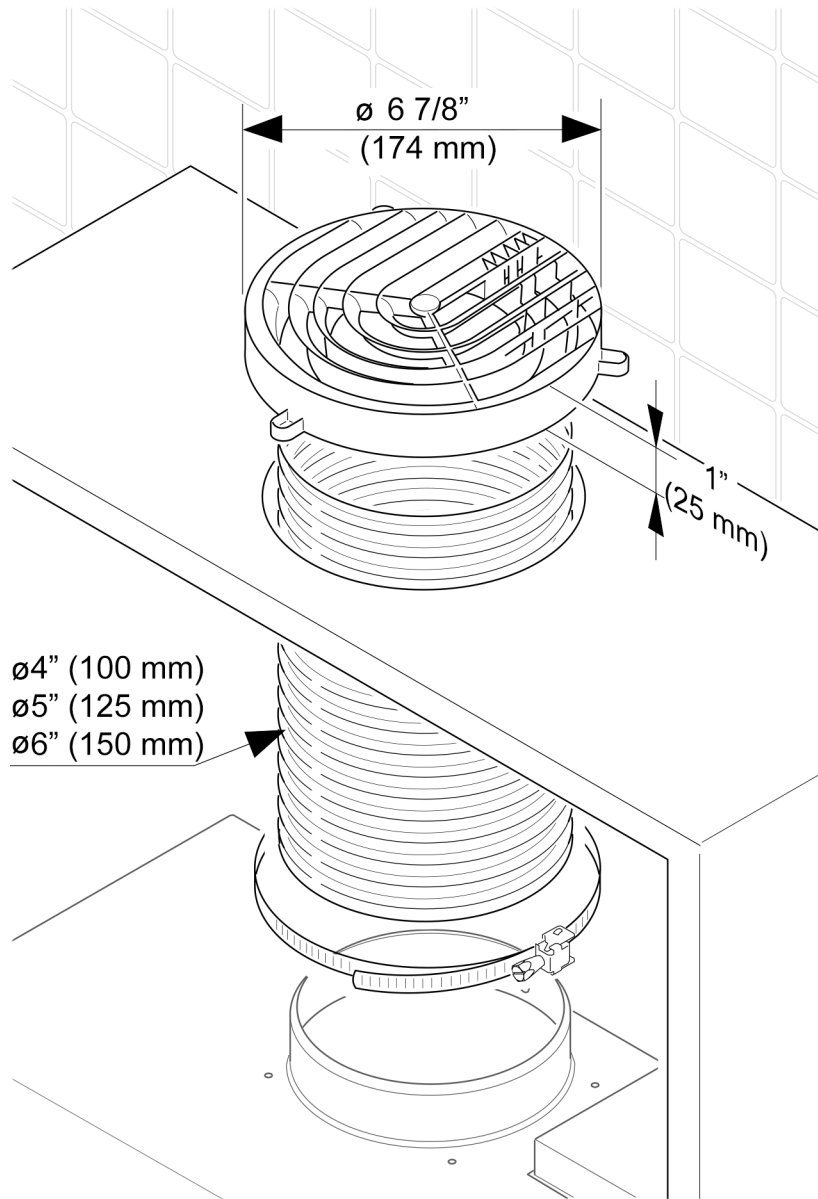
Please also observe the information contained in the "IMPORTANT SAFETY INSTRUCTIONS" section.

Cooking appliance	Minimum distance S	
	Miele appliance	Non-Miele appliance
Electric Cooktops	24" (610 mm)	
Electric Barbeques and Fryers	26" (660 mm)	
Multiburner Gas Cooktops ≤ 43,000 BTU/hr (12.6 kW), no burner > 15,000 BTU/hr (4.5 kW).	26" (660 mm)	30" (760 mm)
Multiburner Gas Cooktops ≤ 73,800 BTU/hr (21.6 kW), no burner > 16,500 BTU/hr (4.8 kW)	30" (760 mm)	
Multiburner Gas Cooktops > 73,800 BTU/hr (21.6 kW), or one of the burners > 16,500 BTU/hr (4.8 kW)	Not possible	
Single Burner Gas Cooktops ≤ 20,500 BTU/hr (6 kW)	26" (660 mm)	30" (760 mm)
Single Burner Gas Cooktops > 20,500 BTU/hr (6 kW) ≤ 27,600 BTU/hr (8.1 kW)	30" (760 mm)	
Single Burner Gas Cooktops > 27,600 BTU/hr (8.1 kW)	Not possible	

# 36" Extra-Slim Insert Hood DA 2690 Stainless



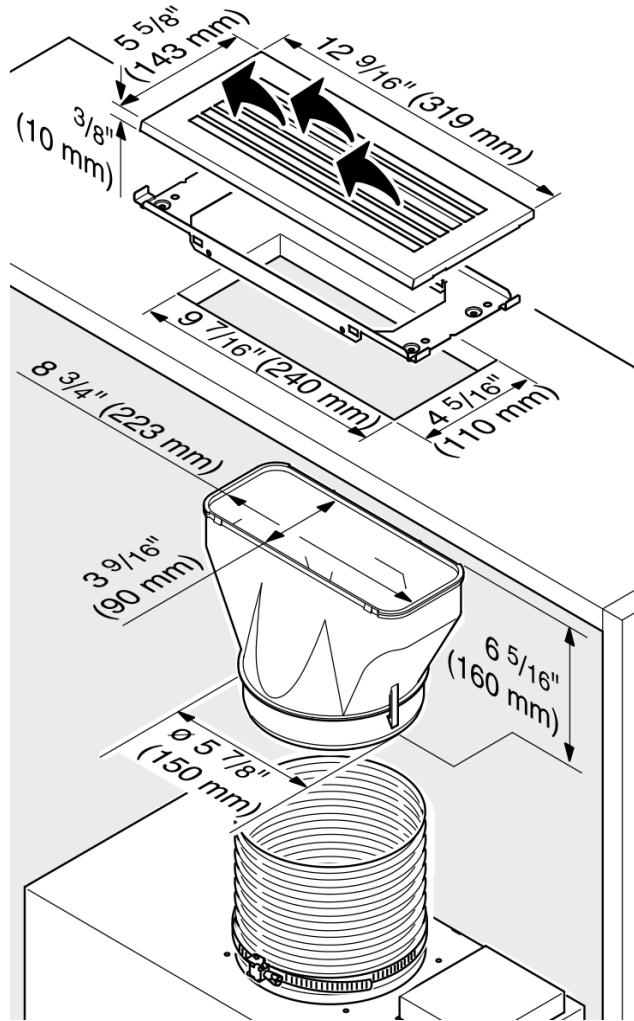
## INSTALLATION SPECIFICATIONS Recirculation Kit DUU 150



# 36" Extra-Slim Insert Hood DA 2690 Stainless



## INSTALLATION SPECIFICATIONS Recirculation Kit DUU 151

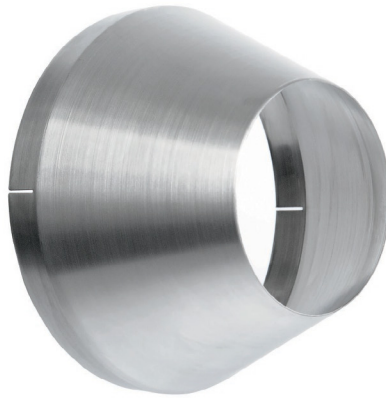




# 36" Extra-Slim Insert Hood DA 2690 Stainless



## Reducing Collar (optional accessory)



If you would like to reduce the environmental impact of your ventilation system by limiting the CFM output the Reducing Collar can be installed. It reduces the air flow to less than 400 CFM. Check local building codes for maximum CFM requirements.