



## Microwave Oven Use & Care Guide



## Contents

- 4 Safety Precautions
- 6 Installation
- 7 Microwave Oven Features
- 8 Microwave Oven Operation
- 20 Care Recommendations
- 21 Troubleshooting
- 23 Wolf Warranty

## Customer Care

The model and serial number are printed on the enclosed product registration card. Both numbers are also listed on the product rating plate. Refer to page 6 for rating plate location. For warranty purposes, you will also need the date of installation and name of your authorized Wolf dealer. Record this information below for future reference.

If your product ever needs attention, be sure to use a Wolf factory certified service provider recommended by our customer care center, or select one from our list of providers available at [wolfappliance.com/locator](http://wolfappliance.com/locator). All factory certified service providers are carefully selected and thoroughly trained by us.

### SERVICE INFORMATION

Model Number

---

Serial Number

---

Date of Installation

---

Certified Service Name

---

Certified Service Number

---

Authorized Dealer

---

Dealer Number

---

## Important Note

To ensure this product is installed and operated as safely and efficiently as possible, take note of the following types of highlighted information throughout this guide:

**IMPORTANT NOTE** highlights information that is especially important.

**CAUTION** indicates a situation where minor injury or product damage may occur if instructions are not followed.

**WARNING** states a hazard that may cause serious injury or death if precautions are not followed.

**IMPORTANT NOTE:** Throughout this guide, dimensions in parentheses are millimeters unless otherwise specified.

## Thank You

Thank you for your purchase. We look forward to being part of your home for decades to come. As a third-generation family-owned company, we take a very personal stake in the preparation of your family's food. We built our business and our reputation on helping families serve the finest food possible.

With your purchase, you receive one of the strongest warranties in the appliance industry. Take a moment to read the full warranty statement on page 23. It's also important to register your Wolf appliance to ensure that you don't miss out on exclusive owner benefits, such as; assurance that you will be taken care of in the unlikely event that service becomes necessary during the warranty period, and a proof-of-purchase record in case of a home insurance claim. You may register by one of the following options:

- Mail in the completed Wolf product registration card.
- Register online at [wolfappliance.com/register](http://wolfappliance.com/register) and create a personalized My Sub-Zero/Wolf account using the serial number on your product.
- Register by phone by calling Wolf Customer Care at 800-222-7820.

As a Wolf owner, you can count on ongoing support, day in and day out. Our customer care center is available 24 hours a day, seven days a week and staffed by knowledgeable product experts at our factory in Madison, Wisconsin. Should the need arise, simply call 800-222-7820 and speak with one of our product experts. They will help troubleshoot any issues you might have.

We are confident this guide will answer your questions about the features, operation, and maintenance of your Wolf, but if you have additional questions, please contact us at 800-222-7820 or visit us online at [wolfappliance.com](http://wolfappliance.com).



## IMPORTANT INSTRUCTIONS

### PRECAUTIONS TO AVOID POSSIBLE EXPOSURE TO EXCESSIVE MICROWAVE ENERGY

- Do not attempt to operate this microwave oven with the door open since open-door operation can result in harmful exposure to microwave energy. It is important not to defeat or tamper with the safety interlocks.
- Do not place any object between the microwave oven front face and the door or allow soil or cleaner residue to accumulate on sealing surfaces.
- Do not operate the microwave oven if it is damaged. It is particularly important that the oven door close properly and that there is no damage to the: (1) door (bent), (2) hinges and latches (broken or loosened), (3) door seals and sealing surfaces.
- The microwave oven should not be adjusted or repaired by anyone except properly qualified service personnel.

When using electrical appliances, basic safety precautions should be followed, including the following:

#### **⚠ WARNING**

To reduce the risk of burns, electric shock, fire, injury to persons or exposure to excessive microwave energy, observe the following:

- Read all instructions before using the appliance.
- Read and follow the specific PRECAUTIONS TO AVOID POSSIBLE EXPOSURE TO EXCESSIVE MICROWAVE ENERGY.
- This appliance must be properly grounded. See GROUNDING INSTRUCTIONS on page 6.
- Install or locate this appliance only in accordance with installation instructions on page 6.
- Some products such as whole eggs and sealed containers (e.g. closed glass jars) are able to explode and should not be heated in this oven.
- Do not operate this appliance if it has a damaged cord or plug, if it is not working properly or if it has been damaged or dropped.

## IMPORTANT INSTRUCTIONS

- Use this appliance only for its intended use as described in this guide. Do not use corrosive chemicals or vapors in this appliance. This type of oven is specifically designed to heat, cook or dry food. It is not designed for industrial or laboratory use.
- This appliance should be serviced only by qualified service personnel. Contact nearest authorized service facility for examination, repair or adjustment.
- As with any appliance, close supervision is necessary when used by children.
- Do not cover or block any openings on the appliance.
- Do not store this appliance outdoors. Do not use this product near water (e.g. near a kitchen sink, in a wet basement or near a swimming pool, or similar locations).
- Do not immerse cord or plug in water.
- Keep cord away from heated surfaces.
- Do not let cord hang over edge of table or counter.
- When cleaning appliance sealing surfaces that come together on closing the door, use only mild, nonabrasive soaps or detergents applied with a sponge or soft cloth. Refer to care recommendations on page 20.
- Liquids, such as water, coffee or tea are able to be overheated beyond the boiling point without appearing to be boiling. Visible bubbling or boiling when the container is removed from the microwave oven is not always present. **THIS COULD RESULT IN VERY HOT LIQUIDS SUDDENLY BOILING OVER WHEN THE CONTAINER IS DISTURBED OR A UTENSIL IS INSERTED INTO THE LIQUID.**

### TO REDUCE THE RISK OF FIRE IN THE OVEN

- Do not overcook food. Carefully attend appliance when paper, plastic or other combustible materials are placed inside the oven to facilitate cooking.
- Remove wire twist ties from paper or plastic bags before placing bag in oven.
- If materials inside the oven ignite, keep oven door closed, turn oven off and disconnect the power cord, or shut off power at the fuse or circuit breaker panel.
- Do not use the cavity for storage purposes. Do not leave paper products, cooking utensils or food in the cavity when not in use.

## SAVE THESE INSTRUCTIONS

### Installation

The microwave oven can be used freestanding or built into cabinetry using accessory trim to match Wolf L series or E series ovens.

For freestanding applications, a minimum 2" (51) space is required at the top, rear and sides of the microwave oven for air circulation.

For built in applications, refer to installation instructions provided with the trim kit. Accessory trim kits are available through an authorized Wolf dealer. For local dealer information, visit the find a showroom section of our website, wolfappliance.com.

### Electrical

Installation must comply with all applicable electrical codes.

The receptacle should be located within reach of the power cord. For built in applications, refer to installation instructions provided with the trim kit for electrical location.

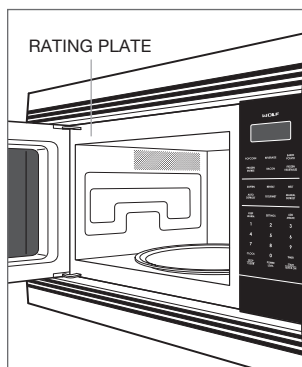
ELECTRICAL REQUIREMENTS	
Electrical Supply	grounded, 120 VAC, 60 Hz
Service	15 amp dedicated circuit
Receptacle	3-prong grounding-type
Power Cord	4' (1.2 m)

### GROUNDING INSTRUCTIONS

This appliance must be grounded. The microwave oven is equipped with a cord having a grounding wire with a grounding plug. It must be plugged into a wall receptacle that is properly installed and grounded in accordance with the National Electrical Code and local codes and ordinances. In the event of an electrical short circuit, grounding reduces risk of electric shock by providing an escape wire for the electric current.

**⚠ WARNING**

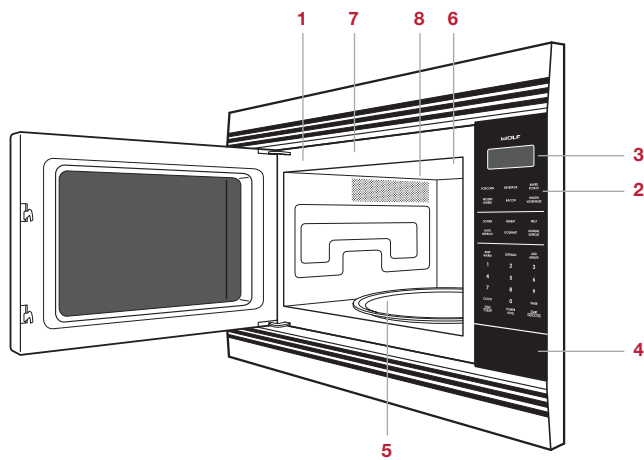
Improper use of the grounding plug can result in a risk of electric shock. Do not use an extension cord. If the power cord is too short, have a qualified electrician or service technician install an outlet near the appliance.



Rating plate location.

## Microwave Oven Features

FEATURE	
1	Product Rating Plate
2	Control Panel
3	Interactive Visual Display
4	One-Touch Door Opening
5	Removable Turntable
6	Interior Lighting
7	Menu Label
8	Waveguide Cover



Microwave oven with L series trim.

## Getting Started

We know you are eager to start cooking, but before you do, please take some time to read this use & care guide. Whether you are an occasional cook or an expert chef, it will be to your benefit to familiarize yourself with the safety practices, features, operation and care recommendations of your microwave oven.

Clean the oven thoroughly with hot water and mild detergent. Rinse and dry with a soft cloth to remove any residual oil and grease left from the manufacturing process. Refer to care recommendations on page 20.

**IMPORTANT NOTE:** The microwave oven cannot be used for cooking without the turntable in place. Never restrict movement of the turntable.

## Control Panel

The control panel features touch controls and an interactive visual display. Refer to the illustration below.



Control panel.

## Oven Operation

### OPEN DOOR

To open the door, depress the area directly below the number pads on the control panel.

### CLOCK

The time of day will be illuminated on the control panel display unless the timer or other display functions are active. The clock must be set prior to use and after a power failure.

#### Setting clock:

- 1 Touch CLOCK.
- 2 Use number pads to enter the time of day, then touch CLOCK.

### TIMER

The timer can be set for a maximum of 99 minutes and 99 seconds. Once a time is set, the countdown will appear on the control panel display. Oven will chime and 'END' will appear on the display when complete.

#### Setting timer:

- 1 Touch TIMER.
- 2 Use number pads to enter timer duration.
- 3 Touch TIMER to begin.
- 4 Touch STOP/CLEAR to cancel.



## Oven Operation

### TIME ADJUSTMENT

The time adjustment feature increases or decreases cook time for sensor cooking modes.

To adjust time:

- 1 Select desired sensor cooking mode, then touch POWER LEVEL once for 'MORE' or twice for 'LESS' time before touching START/QUICK ON.

### HELP INDICATOR

Defrost and sensor cooking settings offer a helpful cooking hint. To check the hint, touch SETTINGS whenever the HELP indicator appears on the control panel display.

### QUICK ON

The quick on feature cooks continuously at 100% power by touching and holding START/QUICK ON (e.g. melting cheese). Maximum cook time is 30 seconds and can be repeated up to 10 times.

## Settings

The settings feature allows the user to select individual preferences. Preferences must be reset after a power failure.

### CONTROL PANEL LOCK

The control panel lock feature prevents unwanted microwave oven operation.

To lock:

- 1 Touch SETTINGS, touch 1, then touch START/QUICK ON. 'LOCK ON' will appear on the control panel display.

To unlock:

- 1 Touch SETTINGS, then touch START/QUICK ON. 'CHILD LOCK OFF' will appear on the control panel display.

### AUDIBLE SIGNAL

An audible signal will chime with every touch and upon cook time and timer completion.

To eliminate signal:

- 1 Touch SETTINGS, touch 2, then touch STOP/CLEAR. 'SOUND OFF' will appear on the control panel display.

To restore signal:

- 1 Touch SETTINGS, touch 2, then touch START/QUICK ON. 'SOUND ON' will appear on the control panel display.

### LANGUAGE/WEIGHT SELECTION

This feature allows the user to choose language and weight preference. Language options include English, Spanish and French. Weight measurements can be displayed in imperial (lb) or metric (kg).

To select language/weight:

- 1 Touch SETTINGS, then touch 4.
- 2 Continue to touch until the desired language/weight is displayed, then touch START/QUICK ON.

## Manual Cooking

### POWER LEVEL

The microwave oven has ten preset power levels.

**To cook manually at 100% power:**

- 1 Use number pads to enter desired cook time.
- 2 Touch START/QUICK ON.
- 3 Oven will chime and 'END' will appear on the control panel display when complete.

To cook manually at a power level less than 100%, touch POWER LEVEL, then touch the number pad to select the desired power level (e.g. 7 for 70% power).

### MULTIPLE SEQUENCE COOKING

The microwave oven can be programmed for up to four automatic cooking sequences, switching from one power level to another automatically. Touch POWER LEVEL during cooking to display power level.

**To use multiple sequence cooking (e.g. start at 100%, then switch to 50% power):**

- 1 Touch POWER LEVEL twice (100% power). Use number pads to enter desired cook time.
- 2 Touch POWER LEVEL, then touch 5 (50% power). Use use number pads to enter desired cook time.
- 3 Touch START/QUICK ON.

### AUTO START

The microwave oven can be programmed to begin cooking automatically at a designated time of day. The clock must be set to the correct time for auto start to function properly.

**To use auto start:**

- 1 Touch SETTINGS, then touch 3 for auto start.
- 2 Use number pads to enter start time.
- 3 Touch CLOCK.
- 4 Use number pads to enter cook time. Adjust power level if necessary.
- 5 Touch START/QUICK ON. The auto start time will appear on the control panel display. Touch CLOCK to view time of day.

## Cooking Modes

### POPCORN

The sensor popcorn feature prepares microwave popcorn. Use only popcorn packaged for microwave ovens.

To use popcorn:

- 1 Touch POPCORN.
- 2 Touch START/QUICK ON.

### BEVERAGE

The beverage feature will reheat a beverage or prepare hot water for coffee or tea.

To use beverage:

- 1 Touch BEVERAGE.
- 2 **To reheat beverage:** Touch 1 multiple times to select amount in 1/2 cup increments, up to 2 cups.

**For hot water:** Touch 2 multiple times to select amount in 1 cup increments, up to 6 cups.

- 3 Touch START/QUICK ON.

### BAKED POTATO

The sensor baked potato feature will prepare a baked potato.

To use baked potato:

- 1 Touch BAKED POTATO.
- 2 Touch START/QUICK ON.

### FROZEN ENTREE

The sensor frozen entree feature will prepare a frozen entree.

To use frozen entree:

- 1 Touch FROZEN ENTREE.
- 2 Touch START/QUICK ON.

### BACON

The bacon feature will prepare up to 6 slices of bacon.

To use bacon:

- 1 Touch BACON, then select the number of slices.
- 2 Touch START/QUICK ON.

### FROZEN VEGETABLES

The sensor frozen vegetables feature will prepare frozen vegetables.

To use frozen vegetables:

- 1 Touch FROZEN VEGETABLES.
- 2 Touch START/QUICK ON.

### SOFTEN

The soften feature will soften ice cream or cream cheese.

To use soften:

- 1 Touch SOFTEN.
- 2 **For ice cream:** Touch 1 once for 1 pint or twice for 1/2 gallon.

**For cream cheese:** Touch 2 once for 3 ounces or twice for 8 ounces.

- 3 Touch START/QUICK ON.

### REHEAT

The sensor reheat feature detects moisture and humidity from food as it reheats, and automatically adjusts cook time and power level.

To use reheat:

- 1 Touch REHEAT.
- 2 Touch START/QUICK ON.

## Cooking Modes

### MELT

The melt feature will melt butter or chocolate.

To use melt:

- 1 Touch MELT.
- 2 **For butter:** Touch 1 once for 2 tablespoons or twice for 1/2 cup.  
**For chocolate:** Touch 2 once for 1 cup or twice for 1 ounce.
- 3 Touch START/QUICK ON.

### KEEP WARM

The keep warm feature will keep food warm for up to 90 minutes.

To use keep warm:

- 1 Touch KEEP WARM.
- 2 Use number pads to enter desired keep warm time.
- 3 Touch START/QUICK ON.

### ADD MINUTE

The add minute feature cooks for one minute at 100% by touching ADD MINUTE. Touch multiple times to increase cook time. Each touch increases time by one minute. This feature cannot be used with defrost or Gourmet.

## Defrost

### AUTO DEFROST

The auto defrost feature uses preset settings to defrost select food items. Refer to the auto defrost guide on page 13. For foods not listed, refer to manual defrost.

To select auto defrost:

- 1 Touch AUTO DEFROST, then use number pads to select desired food (e.g. 3 for Chicken Pieces).
- 2 Use number pads to enter weight.
- 3 Touch START/QUICK ON. After a period of time, the microwave oven will stop so food can be checked.
- 4 Open door and turn food over.
- 5 Repeat until defrost is complete.

### MANUAL DEFROST

The manual defrost feature automatically defrosts at 30% power. Food should be turned throughout the process to ensure even defrosting. To defrost at another power level, refer to power level on page 10.

To defrost manually:

- 1 Touch MANUAL DEFROST.
- 2 Use number pads to enter desired time.
- 3 Touch START/QUICK ON.

### Auto Defrost Guide

NUMBER	FOOD	AMOUNT	METHOD
1	Ground Meat	1/2–2 lb (230 g–1.1 kg)	Remove any thawed pieces after each audible signal. Let stand for 5–10 minutes, covered.
2	Steaks, Chops or Fish	1/2–3 lb (230 g–1.4 kg)	After each audible signal, rearrange. If there are warm or thawed portions, shield with small flat pieces of aluminum foil. Remove any meat that is almost defrosted. Let stand for 10–20 minutes, covered.
3	Chicken Pieces	1/2–2 lb (230 g–1.1 kg)	After each audible signal, rearrange pieces or remove should they become warm or thawed. Let stand for 10–20 minutes, covered.
4	Roast	2–4 lb (1.1–1.8 kg)	Start defrosting with fat side down. After each audible signal, turn over and shield warm areas with aluminum foil. Let stand for 30–60 minutes, covered.
5	Casserole or Soup	1–6 cups (240 ml–1.4 L)	After each audible signal, break apart and remove any defrosted part. At end, stir well and let stand for 5–10 minutes, covered.

## Gourmet

The Gourmet feature detects moisture and humidity from food as it heats and automatically adjusts cook time and power level. Fresh vegetables and poultry have two options. Follow directions on the control panel display to select the desired option.

### To select Gourmet:

- 1 Touch GOURMET, then use number pads to select Recipes, Breakfast, Lunch or Dinner.
- 2 Use number pads to select desired recipe/food.
- 3 Touch START/QUICK ON.

## Recipes

### 1 BEEF WRAPS

Place in a 2-quart (2 L) casserole dish:  
1 lb (.5 kg) ground beef

Break apart and cover. Touch RECIPES, number 1 to select **Beef Wraps** and then touch START/QUICK ON.

At pause, drain fat and break ground beef into small pieces.

Add:

10-oz pkg (285 g) frozen chopped spinach, thawed and drained  
1 1/2 cups (360 ml) salsa  
1-3 tsp (5-15 ml) chili powder

Stir together well. Cover. Touch START/QUICK ON.

At end, stir well and place in 8 warmed corn tortillas. Top with 1 cup (90 g) shredded cheddar cheese.

Makes 6 servings.

### 2 MEXICAN CHICKEN

Place in layers in a 3-quart (3 L) casserole dish:  
2 cups (230 g) instant rice  
1 cup (240 ml) prepared fajita sauce mixed with 1/2 cup (120 ml) chicken broth or bouillon  
2 10-oz pkg (285 g), frozen seasoning mix (onion, peppers, parsley and celery)  
1 lb (.5 kg) boneless chicken breast cut into 1" (25) thin strips

Cover. Touch RECIPES, number 2 to select **Mexican Chicken** and then touch START/QUICK ON.

At pause, stir together making sure that chicken strips are separated and mixed into the rice and sauce. Cover. Touch START/QUICK ON.

At end, stir. Serve with buttered green beans and toasted tortillas.

Makes 6 servings.

## Recipes

### 3 ITALIAN SALAD

To cook pasta, place in 3-quart (3 L) casserole dish:  
6 cups (1.4 L) very hot tap water

Cover. Touch RECIPES, number 3 to select **Italian Salad** and then touch START/QUICK ON.

At pause, add:

8 oz (230 g) tricolored rotini or fusilli pasta  
1 tsp (5 ml) oil

Do not cover. Touch START/QUICK ON. At end, drain pasta and set aside.

To cook chicken, place in greased 9" (229) pie plate:  
1 lb (.5 kg) boneless chicken breast, cut into 1" (25) thin strips

Cover. Touch START/QUICK ON. At pause, rearrange, moving less done pieces to outside of pie plate. Cover. Touch START/QUICK ON. At end, drain and set aside.

To make salad, place in large salad bowl:

Cooked rotini or fusilli  
Cooked chicken breast  
2 tomatoes, cut into eighths  
1/2 cup (75 g) sliced black olives  
1 cup (90 g) shredded mozzarella cheese  
1/4 cup (40 g) red onion, chopped  
3/4–1 cup (180–240 ml) oil-vinegar type dressing with pesto

Toss together to coat all pieces. Serve immediately or chill to serve later. Ideal when served with warm crusty rolls.

Makes 6 servings.

### 4 TUNA MACARONI

To cook macaroni, place in 3-quart (3 L) casserole dish:  
6 cups (1.4 L) very hot tap water

Cover. Touch RECIPES, number 4 to select **Tuna Macaroni** and then touch START/QUICK ON.

At pause, add:

2 cups (280 g) elbow macaroni  
1 tsp (5 ml) oil

Do not cover. Touch START/QUICK ON. At end, drain macaroni and set aside in the casserole dish.

Combine in bowl:

10<sup>3</sup>/<sub>4</sub>-oz can (305 g) cream of celery soup  
1/2 cup (120 ml) milk  
1/2 cup (120 ml) nonfat sour cream

Add to macaroni in casserole dish:

Soup, milk and sour cream mixture  
6<sup>1</sup>/<sub>2</sub>-oz can (185 g) solid white tuna fish, drained and flaked  
1 cup (150 g) frozen peas  
1 cup (90 g) shredded cheddar cheese  
Salt and pepper to taste

Stir together until well mixed. Cover. Touch START/QUICK ON.

At end, stir again. Serve with fresh carrot sticks, tossed salad and dinner rolls.

Makes 6 servings.

### 5 GARDEN MEDLEY

Place in a 2<sup>1</sup>/<sub>2</sub> quart (2.5 L) casserole dish:

1 lb (.5 kg) peeled baking potatoes, cut into eighths, thinly sliced  
14<sup>1</sup>/<sub>2</sub>-oz can (410 g) diced tomatoes  
2 tsp (10 ml) minced garlic  
1 tsp (5 ml) thyme leaves

Cover with a lid. Touch RECIPES, number 5 to select **Garden Medley** and then touch START/QUICK ON.

At pause, stir well and add:

16-oz pkg (455 g) frozen stir fry mixed vegetables  
2 cups (300 g) thinly sliced summer squash

Cover. Touch START/QUICK ON.

At end, sprinkle top with 1 cup (90 g) shredded cheddar cheese. Serve with spinach salad and chilled melon.

Makes 6 servings.

Breakfast

NUMBER	FOOD	AMOUNT	METHOD
1	Scrambled Eggs	1–9 eggs	For each egg, use 1 teaspoon (5 ml) butter or margarine and 1 table-spoon (15 ml) milk. Place butter in dish large enough for the egg to expand. Mix egg and milk together. Pour onto butter in dish. Place in oven and program. When oven chimes, stir egg mixture, moving cooked portion to center of dish and uncooked portion to outside. After cooking, stir and let stand, covered, until set (eggs will be slightly undercooked when removed from the oven).
2	Hot Cereal	1–6 servings	Use individual packets or bulk hot cereal or oatmeal. Follow package directions for amount of water or milk. To prevent boil overs, choose a large container. If the oven stops, stir and touch START/QUICK ON. After cooking, stir and let stand for 2 minutes, covered.
3	Rolls & Muffins	Fresh 1–10 pieces Frozen 1–10 pieces	Use to warm rolls, muffins, biscuits, bagels, etc. Large items should be considered as 2 or 3 regular size. Arrange on plate and cover with paper towel. To warm fresh rolls and muffins, touch BREAKFAST and 3, then touch 1. Enter quantity and touch START/QUICK ON. For refrigerated rolls and muffins, it may be necessary to double the amount to ensure proper serving temperature. For frozen rolls and muffins, touch BREAKFAST and 3, then touch 2. Enter quantity and touch START/QUICK ON.
4	Frozen Breakfast Foods	3–6 oz (85–170 g)	Use for frozen breakfast entrees, pancakes, waffles, burritos, etc. Follow package directions. It is not necessary to enter amount. After cooking, let stand 1–2 minutes.



Lunch

NUMBER	FOOD	AMOUNT	METHOD
1	Meal in a Cup	1 cup (240 ml)	Use for individual portions of canned food packed in a small 8-oz (240 ml) microwaveable container. Remove inner metal lid and replace outer microwaveable lid. After cooking, stir and let stand 1–2 minutes.
2	Hot Dogs in Buns	1–4 pieces	Place hot dog in bun. Wrap each with paper towel.
3	Soup	1–8 cups (240 ml–1.9 L)	Place in bowl or casserole dish. Cover with lid or vented plastic wrap. At end, stir and let stand 1–3 minutes, covered.
4	Microwave Pizza	6–8 oz (170–230 g)	Use for frozen microwave pizza. Follow package directions. It is not necessary to enter amount.
5	Frozen Sandwich	3–6 oz (85–170 g)	Use for frozen microwaveable sandwiches. Follow package directions. It is not necessary to enter amount.

## Dinner

### 1 SAUCY CHICKEN

Place in a 3-quart (3 L) casserole dish:

- 1 Tbsp (15 ml) oil
- 1/2 lb (230 g) mushrooms, sliced
- 1 onion, chopped
- 1 Tbsp (15 ml) minced garlic

Stir well and cover. Touch DINNER and 1 to select **Saucy Chicken**, then touch START/QUICK ON.

Blend together:

- 8-oz pkg (230 g) reduced fat cream cheese, softened
- 1/4 cup (60 ml) milk

Stir into the cream cheese mixture:

- 10-oz pkg (285 g) frozen peas
- 2 cups (450 g) cooked thinly sliced chicken breast
- Salt and pepper to taste

At pause, drain liquid from mushrooms, etc. Add cream cheese, peas and chicken mixture and stir together. Cover. Touch START/QUICK ON.

At end, stir in 1 cup (90 g) shredded monterey jack cheese. Serve on top of baked potatoes or cooked pasta.

Makes 6 servings.

### 2 HAWAIIAN PORK

Place in a 3-quart (3 L) casserole dish:

- 1 Tbsp (15 ml) oil
- 1 lb (.5 kg) boneless pork loin, cut into 1" (25) strips, seasoned with salt and pepper

Stir well and cover. Touch DINNER and 2 to select **Hawaiian Pork**, then touch START/QUICK ON.

Combine well in a large bowl:

- 1 cup (240 g) peach or apricot preserves
- 1/4 cup (60 ml) barbecue sauce
- 2 Tbsp (30 ml) soy sauce
- 2 Tbsp (30 ml) cornstarch
- 1 cup (150 g) coarsely chopped onions

At pause, add preserves mixture and stir together well. Cover. Touch START/QUICK ON.

At pause, add:

- 8-oz can (230 g) sliced water chestnuts, drained
- 1 green pepper, seeded and cut into 2" (51) thin strips
- 1 red pepper, seeded and cut into 2" (51) thin strips
- 20-oz can (565 g) pineapple chunks, drained

Stir to combine. Cover. Touch START/QUICK ON.

At end, stir again. Serve on cooked rice.

Makes 6 servings.

## Dinner

### 3 FIESTA CHILI

Place in a 3-quart (3 L) casserole dish:

- 1 1/4 lb (.6 kg) ground turkey
- 1/2 cup (75 g) diced onions
- 1/2 cup (75 g) diced red pepper

Break up turkey and stir in onions and red pepper. Cover. Touch DINNER, number 3 to select **Fiesta Chili** and then touch START/QUICK ON.

At pause, drain and add:

- 8-oz (230 g) chunky salsa
- 11-oz can (310 g) Mexican corn, drained
- 15-oz can (425 g) chili with beans
- 1 to 3 tsp (5–15 ml) chili powder

Stir together well. Cover. Touch START/QUICK ON.

At end, stir well. Serve over cooked rice or nacho chips. Top with 2 cups (180 g) shredded monterey jack or cheddar cheese.

Makes 6 servings.

### 4 GLAZED SALMON

Combine:

- 1/4 cup (60 ml) orange juice concentrate
- 2 Tbsp (30 ml) honey mustard
- 1 Tbsp (15 ml) grated fresh ginger or 2 tsp (10 ml) ground ginger

Place in 7" x 11" (178 x 279) glass casserole dish:

- 1 1/2 lb (.7 kg) salmon fillet

Drizzle half of orange mixture over top of salmon. Cover with plastic wrap. Touch DINNER and 4 to select **Glazed Salmon**, then touch START/QUICK ON.

At pause, place around edge of salmon:

- 3 cups (450 g) broccoli flowerets
- 1 red pepper, cut into thin strips

Drizzle remaining orange mixture over vegetables. Top all with 2 Tbsp (30 ml) toasted sesame seeds. Touch START/QUICK ON.

At end, let stand for 3–5 minutes, covered. Serve with buttered rice, pasta or potatoes garnished with parsley.

Makes 6 servings.

### 5 HEALTHY FRITTATA

Place in 9" (229) greased pie plate:

- 1/2 lb (230 g) mushrooms, sliced
- 3/4 cup (110 g) chopped onion
- 1 Tbsp (15 ml) minced garlic
- 1/4 lb (115 g) chopped low-fat smoked sausage

Cover with plastic wrap. Touch DINNER, number 5 to select **Healthy Frittata** and then touch START/QUICK ON.

At pause, drain and set aside.

In a medium bowl, combine and stir together well:

- 3 large eggs
- 1/2 cup (120 ml) nonfat sour cream
- 1 Tbsp (15 ml) dijon mustard
- 1/2 tsp (2 ml) salt
- 1/8 tsp (.5 ml) pepper

Add and stir together:

- 5 oz (140 g) frozen chopped spinach, thawed and squeezed dry
- 1 cup (90 g) shredded Swiss cheese

Pour mixture in bowl over top of mushroom, onion and sausage mixture. Mix together carefully. Do not cover. Touch START/QUICK ON.

At end, remove from oven and allow to stand for 3 to 5 minutes. Serve with tossed salad and sliced tomatoes for brunch.

Makes 6 servings.

## Care Recommendations

CLEANING	
Stainless steel	Use a nonabrasive stainless steel cleaner and apply with a soft lint-free cloth. To bring out the natural luster, lightly wipe surface with a water-dampened microfiber cloth followed by a dry polishing chamois. Always follow the grain of stainless steel.
Door front	Spray glass cleaner on a cloth to clean.
Control panel	Use spray degreaser to remove fingerprints and food soil. Spray on a cloth before wiping panel. <b>IMPORTANT NOTE:</b> Do not spray cleaners directly on the control panel. To lock the control panel before cleaning, refer to page 9.
Interior	Wipe with a soft damp cloth. Do not use abrasive or harsh cleaners or scouring pads. For heavier soil, use baking soda or a mild soap; rinse thoroughly with hot water. Do not use chemical oven cleaners.
Turntable	Remove for cleaning. Wash in water with mild soap. For stubborn stains use a mild cleanser and non-abrasive scouring sponge. Turntable is also dishwasher-safe.
Waveguide cover	The waveguide cover, located on the inside top of the microwave interior. Carefully wipe with a soft damp cloth. Do not remove the waveguide cover.

### Troubleshooting

#### **Microwave oven does not operate.**

- Verify power is on.
- Verify electrical power to unit and home circuit breaker is on.

#### **Food in microwave oven is not heating.**

- Check controls to verify proper setting.

#### **Interior light does not work.**

- Light bulb is loose or burned out. Contact Wolf factory certified service.

#### **Touch controls will not operate.**

- Control panel lock is on. Refer to page 9 to unlock.

#### **Display flashes.**

- Power failure. Touch STOP/CLEAR and reset clock. If microwave oven was in use, reset cooking function.

#### **Radio or TV interference caused by microwave oven.**

- Verify microwave oven is on a different electrical circuit, relocate radio or TV as far away from microwave oven as possible or check position and signal of antenna.

### Service

- Maintain the quality built into your product by contacting Wolf factory certified service. For the name of the nearest Wolf factory certified service, check the contact & support section of our website, [wolfappliance.com](http://wolfappliance.com) or call Wolf customer care at 800-222-7820.
- When contacting service, you will need the model and serial number of your product. Both numbers are listed on the product rating plate. Refer to page 6 for rating plate location.
- For warranty purposes, you will also need the date of installation and name of your authorized Wolf dealer. This information should be recorded on page 2 of this guide.

## Wolf Appliance Residential Limited Warranty

FOR RESIDENTIAL USE

### FULL TWO YEAR WARRANTY\*

For two years from the date of original installation, this Wolf Appliance product warranty covers all parts and labor to repair or replace, under normal residential use, any part of the product that proves to be defective in materials or workmanship. All service provided by Wolf Appliance under the above warranty must be performed by Wolf factory certified service, unless otherwise specified by Wolf Appliance, Inc. Service will be provided during normal business hours.

### LIMITED FIVE YEAR WARRANTY

For five years from the date of original installation, Wolf Appliance will repair or replace the following parts that prove to be defective in materials or workmanship: gas burners (excludes appearance), electric heating elements, blower motors (ventilation hoods), electronic control boards, magnetron tubes and induction generators. If the owner uses Wolf factory certified service, the service provider will repair or replace these parts with the owner paying for all other costs, including labor. If the owner uses non-certified service, the owner must contact Wolf Appliance, Inc. (using the information below) to receive repaired or replacement parts. Wolf Appliance will not reimburse the owner for parts purchased from non-certified service or other sources.

### TERMS APPLICABLE TO EACH WARRANTY

The warranty applies only to products installed for normal residential use. The warranty applies only to products installed in any one of the fifty states of the United States, the District of Columbia or the ten provinces of Canada. This warranty does not cover any parts or labor to correct any defect caused by negligence, accident or improper use, maintenance, installation, service or repair.

THE REMEDIES DESCRIBED ABOVE FOR EACH WARRANTY ARE THE ONLY ONES THAT WOLF APPLIANCE, INC. WILL PROVIDE, EITHER UNDER THIS WARRANTY OR UNDER ANY WARRANTY ARISING BY OPERATION OF LAW. WOLF APPLIANCE, INC. WILL NOT BE RESPONSIBLE FOR ANY CONSEQUENTIAL OR INCIDENTAL DAMAGES ARISING FROM THE BREACH OF THIS WARRANTY OR ANY OTHER WARRANTY, WHETHER EXPRESS, IMPLIED OR STATUTORY.

Some states do not allow the exclusion or limitation of incidental or consequential damages, so the above limitation or exclusion may not apply to you. This warranty gives you specific legal rights and you may also have other legal rights that vary from state to state.

To receive parts and/or service and the name of Wolf factory certified service nearest you, contact Wolf Appliance, Inc., P.O. Box 44848, Madison, WI 53744; check the contact & support section of our website, [wolfappliance.com](http://wolfappliance.com), email us at [customerservice@subzero.com](mailto:customerservice@subzero.com) or call 800-222-7820.

\*Stainless steel (doors, panels, handles, product frames and interior surfaces) are covered by a limited 60-day parts and labor warranty for cosmetic defects.

\*Replacement filters for ventilation hood recirculating kits are not covered by the product warranty.



## Contenido

- 4 Precauciones de seguridad
- 6 Instalación
- 7 Características del horno de microondas
- 8 Funcionamiento del horno de microondas
- 20 Recomendaciones sobre el cuidado
- 21 Resolución de problemas
- 23 Garantía de Wolf

## Atención al cliente

El modelo y número de serie están impresos en la tarjeta de registro del producto adjunta. Los dos números también aparecen en la placa de datos del producto. Consulte la página 6 para encontrar la placa de datos. Para fines de la garantía, usted también necesitará la fecha de instalación y el nombre de su distribuidor autorizado de Wolf. Anote esta información abajo para referencia futura.

Si su producto alguna vez necesita servicio asegúrese de usar un proveedor de servicios certificado por Wolf y recomendado por nuestro centro de atención al cliente, o seleccione uno de nuestra lista de proveedores en [wolfappliance.com/locator](http://wolfappliance.com/locator). Todos los proveedores de los centros de servicio autorizados han sido cuidadosamente seleccionados y entrenados a fondo por nosotros.

### INFORMACIÓN PARA SERVICIO

Número de modelo

Número de serie

Fecha de instalación

Nombre de servicio certificado

Número de servicio certificado

Distribuidor autorizado

Número de distribuidor

## Aviso importante

Para garantizar que este producto se instale y opere de la forma más segura y eficiente posible, tome nota de los siguientes tipos de información resaltada en esta guía:

**AVISO IMPORTANTE** señala la información que es especialmente importante.

**PRECAUCIÓN** indica una situación en la que se pueden sufrir heridas leves o provocar daños al producto si no se siguen las instrucciones.

**ADVERTENCIA** indica peligro de que se produzcan heridas graves o incluso la muerte si no se siguen las precauciones.

**AVISO IMPORTANTE:** en toda esta guía, las dimensiones entre paréntesis son milímetros, a menos que se especifique lo contrario.



## Gracias

Muchas gracias por su compra. Esperamos poder ser parte de su hogar durante las décadas venideras. Como una empresa familiar de tercera generación, tenemos un interés muy personal en la preparación de los alimentos de su familia. Hemos construido nuestro negocio y nuestra reputación al ayudar a las familias a servir comida de la mejor calidad posible.

Con su compra, usted recibe una de las garantías más sólidas en la industria de los electrodomésticos. Lea la declaración de garantía completa de la página 23. También es importante que registre su Wolf para asegurarse de no perder los beneficios de propietario exclusivo, como por ejemplo, la garantía de que va a recibir atención en el improbable caso de que necesite servicio durante el periodo de garantía, y un registro de prueba de compra en caso de una reclamación sobre el seguro de vivienda. Puede registrarse mediante una de las siguientes opciones:

- Envíe a Wolf la tarjeta de registro del producto llena.
- Regístrese en línea en [wolfappliance.com/register](http://wolfappliance.com/register) y cree una cuenta personal en My Sub-Zero/Wolf con el número de serie de su producto.
- Regístrese por teléfono llamando a la línea de atención al cliente de Wolf al 800-222-7820.

Como propietario de un electrodoméstico Wolf, puede contar con soporte técnico constante, día tras día. Nuestro centro de atención al cliente está disponible 24 horas al día, los siete días a la semana, y lo conforman expertos conocedores del producto en nuestra fábrica en Madison, Wisconsin. En caso necesario, simplemente llame al 800-222-7820 y hable con uno de los expertos de nuestros productos. Ellos le ayudarán a solucionar cualquier problema que pueda tener.

Estamos seguros de que esta guía contestará sus preguntas acerca de las características, el funcionamiento y mantenimiento de su electrodoméstico Wolf, pero si usted tiene preguntas adicionales, póngase en contacto con nosotros en el 800-222-7820 o visítenos en línea en [wolfappliance.com](http://wolfappliance.com).



## INSTRUCCIONES IMPORTANTES

### PRECAUCIONES PARA EVITAR LA POSIBLE EXPOSICIÓN A LA ENERGÍA EXCESIVA DEL MICROONDAS

- No intente hacer funcionar este horno de microondas con la puerta abierta ya que operarlo de esta manera puede dar como resultado la exposición dañina a la energía de microondas. Es importante no invalidar ni alterar los dispositivos de seguridad.
- No coloque ningún objeto entre la parte frontal del horno de microondas y la puerta ni permita que la suciedad o los productos de limpieza se acumulen en las superficies de sellado.
- No opere el horno de microondas si está dañado. Es particularmente importante que la puerta del horno cierre correctamente y que no haya ningún daño en: (1) la puerta (doblada), (2) bisagras y pestillos (rotos o aflojados), (3) sellos de la puerta y superficies de sellado.
- El horno de microondas no debe ser ajustado ni reparado por persona alguna excepto por el personal de servicio debidamente calificado.

Al utilizar aparatos eléctricos se deben seguir precauciones básicas de seguridad, entre ellas las siguientes:

#### ⚠ ADVERTENCIA

Para reducir el riesgo de quemaduras, descarga eléctrica, incendio, lesiones a personas o exposición excesiva a la energía del microondas, obedezca las precauciones siguientes:

- Lea las instrucciones en su totalidad antes de utilizar el electrodoméstico.
- Lea y siga las PRECAUCIONES ESPECÍFICAS PARA EVITAR LA POSIBLE EXPOSICIÓN EXCESIVA A LA ENERGÍA DEL MICROONDAS.
- Este electrodoméstico debe estar debidamente conectado a tierra. Consulte las INSTRUCCIONES PARA REALIZAR LA CONEXIÓN A TIERRA en la página 6.
- Instale o coloque este electrodoméstico únicamente de acuerdo con las instrucciones de instalación de la página 6.
- Algunos productos como los huevos enteros y envases sellados (por ejemplo, frascos de vidrio cerrados) pueden explotar y no deben calentarse en este horno.
- No opere este electrodoméstico si el cable o la clavija están dañados, si no funciona correctamente o si se ha dañado o se ha caído.

## INSTRUCCIONES IMPORTANTES

- Utilice este electrodoméstico únicamente para su uso destinado tal y como se describe en esta guía. No utilice sustancias químicas corrosivas ni vapores en este aparato. Este tipo de horno está específicamente diseñado para calentar, cocinar o secar comida. No está diseñado para uso industrial ni de laboratorio.
- Este electrodoméstico debe recibir mantenimiento únicamente de personal calificado. Póngase en contacto con el centro de servicio autorizado más cercano para su revisión, reparación o ajuste.
- Como con cualquier otro electrodoméstico, se requiere de supervisión cercana al ser utilizado por menores de edad.
- No cubra ni bloquee las aberturas del aparato.
- No almacene este aparato al aire libre. No utilice este producto cerca del agua (por ejemplo, cerca del fregadero de la cocina, en un sótano húmedo o cerca de una piscina, o lugares similares).
- No sumerja el cable ni la clavija en agua.
- Mantenga el cable alejado de las fuentes de calor.
- No permita que el cable cuelgue sobre el borde de la mesa o el mostrador.
- Cuando limpie las superficies de sellado del electrodoméstico que se juntan al cerrar la puerta, utilice solamente jabones no abrasivos o detergentes suaves y aplíquelos con una esponja o paño suave. Consulte las recomendaciones sobre el cuidado en la página 20.
- Los líquidos, como agua, café o té pueden sobrecalentarse más allá del punto de ebullición sin que parezca que están hirviendo. No siempre se pueden ver burbujas o ebullición cuando se retira el recipiente del horno de microondas. ESTO PODRÍA DAR COMO RESULTADO QUE LOS LÍQUIDOS MUY CALIENTES SE DESBORDEN AL PERTURBAR EL RECIPIENTE O AL INSERTAR UN UTENSILIO DE COCINA EN EL LÍQUIDO.

### PARA REDUCIR EL RIESGO DE QUE EL HORNO SE INCENDIE

- No cocine demasiado los alimentos. Preste atención cuidadosa al electrodoméstico cuando coloque papel, plástico u otros materiales combustibles dentro del horno para facilitar la cocción.
- Retire las ataduras de alambre de las bolsas de papel o plástico antes de colocarlas en el horno.
- Si los materiales dentro del horno se incendian, mantenga cerrada la puerta del horno, apague el horno y desconecte el cable de alimentación eléctrica o apague la corriente en el panel de fusibles o de interruptores de circuito.
- No utilice la cavidad para propósitos de almacenamiento. No deje productos de papel, utensilios de cocina o comida en la cavidad cuando no se encuentre en uso.

## GUARDE ESTAS INSTRUCCIONES

## Instalación

El horno de microondas se puede utilizar no empotrado o integrado en los gabinetes con accesorios de ribete para igualarlos con los hornos de las series L o E de Wolf.

Para las aplicaciones no empotradas, es necesario dejar un espacio de 2" (51) en la parte superior, trasera y a los lados del horno de microondas para permitir la circulación del aire.

Para las aplicaciones integradas, consulte las instrucciones de instalación que vienen con el kit de ribetes. Los kits de accesorios de ribetes están disponibles a través de un distribuidor autorizado de Wolf. Para obtener más información acerca de los distribuidores locales, visite la sección para encontrar una sala de exposición de nuestro sitio web, [wolfappliance.com](http://wolfappliance.com).

## Instalación eléctrica

La instalación debe cumplir con todos los códigos eléctricos vigentes.

El receptáculo debe colocarse dentro del alcance del cable de alimentación eléctrica. Para conocer la ubicación del suministro eléctrico para las aplicaciones integradas, consulte las instrucciones de instalación que vienen con el kit de ribetes.

REQUISITOS ELÉCTRICOS	
Suministro eléctrico	Con conexión a tierra, 120 V CA, 60 Hz
Servicio	Circuito dedicado de 15 amperes
Receptáculo	Conexión a tierra de 3 clavijas
Cable de alimentación eléctrica	4' (1.2 m)



Ubicación de la placa de datos.

## INSTRUCCIONES PARA REALIZAR LA CONEXIÓN A TIERRA

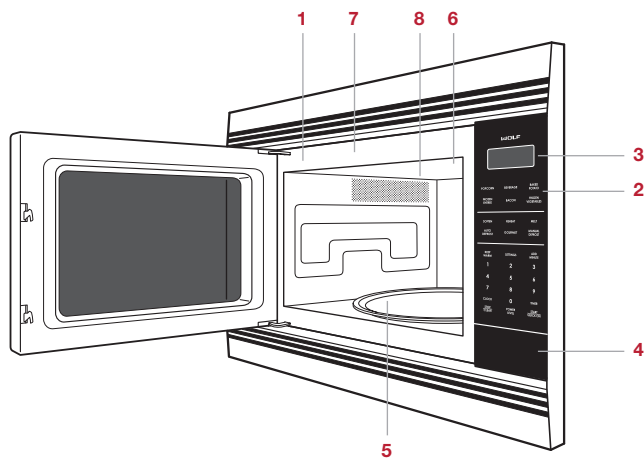
Este electrodoméstico debe ser conectado a tierra. El horno de microondas está equipado con un cable de alimentación eléctrica con un enchufe de conexión a tierra. Debe conectarse a un tomacorriente de pared debidamente instalado y conectado a tierra de conformidad con el Código Nacional de Electricidad y los códigos y ordenanzas locales. En caso de que se produzca un cortocircuito eléctrico, la conexión a tierra reduce el riesgo de descarga eléctrica al proporcionar un cable de escape para la corriente eléctrica.

### ⚠ ADVERTENCIA

El uso incorrecto de la conexión a tierra puede resultar en un riesgo de descarga eléctrica. No utilice un cable de extensión. Si el cable de alimentación eléctrica es demasiado corto, pida a un electricista calificado o técnico de servicio que instale un tomacorriente cerca del electrodoméstico.

## Características del horno de microondas

CARACTERÍSTICA	
1	Placa de datos del producto
2	Panel de control
3	Pantalla visual interactiva
4	Apertura de la puerta con un solo toque
5	Plato giratorio desmontable
6	Iluminación interna
7	Etiqueta de menú
8	Cubierta de guía de onda



Horno de microondas con ribete de la serie L.

## Primeros pasos

Sabemos que está ansioso por empezar a cocinar, pero antes de hacerlo, dedique un poco de tiempo a leer este manual de uso y cuidado. Si usted es un cocinero ocasional o un chef experto, se beneficiará de familiarizarse con las prácticas de seguridad, características, funcionamiento y recomendaciones de cuidado de su horno de microondas.

Limpie cuidadosamente el horno con agua caliente y detergente suave. Enjuague y seque con un paño suave para eliminar los residuos de aceite y grasa residual que dejó el proceso de fabricación. Consulte las recomendaciones sobre el cuidado en la página 20.

**AVISO IMPORTANTE:** el horno de microondas no se puede utilizar para cocinar sin el plato giratorio instalado en su lugar. Nunca restrinja el movimiento del plato giratorio.

## Panel de control

El panel de control cuenta con control digital y una pantalla visual interactiva. Consulte la siguiente ilustración.



Panel de control.

## Funcionamiento del horno

### CÓMO ABRIR LA PUERTA

Para abrir la puerta, presione el área localizada directamente debajo de las teclas numéricas del panel de control.

### RELOJ

El panel de control mostrará la hora del día iluminada a menos que el temporizador u otras funciones de la pantalla estén activas. Debe configurar el reloj antes de utilizar el horno y después de un corte de energía.

Para configurar el reloj:

- 1 Presione CLOCK (RELOJ).
- 2 Use las teclas numéricas para introducir la hora del día y, a continuación, pulse CLOCK (RELOJ).

### TEMPORIZADOR

El temporizador se puede ajustar para un máximo de 99 minutos y 99 segundos. Una vez que se ajusta el tiempo, la cuenta regresiva aparece en la pantalla del panel de control. El horno dará un aviso sonoro y se visualizará "END" (FIN) en la pantalla cuando haya finalizado.

Para configurar el temporizador:

- 1 Pulse TIMER (TEMPORIZADOR).
- 2 Use las teclas numéricas para introducir la duración del tiempo.
- 3 Pulse TIMER (TEMPORIZADOR) para empezar.
- 4 Pulse STOP/CLEAR (DETENER/BORRAR) para cancelar.

## Funcionamiento del horno

### AJUSTE DE TIEMPO

La función de ajuste de tiempo aumenta o disminuye el tiempo de cocción para las modalidades de cocción con sensor.

Para ajustar el tiempo:

- 1 Seleccione la modalidad de cocción con sensor que desea, a continuación pulse POWER LEVEL (NIVEL DE POTENCIA) una vez para "MÁS" o dos veces para "MENOS" tiempo antes de pulsar START/QUICK ON (INICIO/ENCENDIDO RÁPIDO).

### INDICADOR DE AYUDA

Las configuraciones de cocción con sensor y de descongelación ofrecen un útil consejo de cocina. Para ver el consejo, pulse SETTINGS (CONFIGURACIÓN) siempre que el indicador HELP (AYUDA) aparezca en la pantalla del panel de control.

### ENCENDIDO RÁPIDO

La función de encendido rápido cocina a una potencia continua del 100% cuando se pulsa y mantiene pulsado START/QUICK ON (INICIO/ENCENDIDO RÁPIDO) (por ejemplo, para derretir queso). Tiempo de cocción máximo es de 30 segundos y puede repetirse hasta 10 veces.

## Configuración

La función de configuración permite al usuario seleccionar preferencias individuales. Las preferencias deben restablecerse después de un corte de energía.

### BLOQUEO DEL PANEL DE CONTROL

La función de bloqueo del panel de control impide el funcionamiento no deseado del horno de microondas.

Para bloquear:

- 1 Pulse SETTINGS (CONFIGURACIÓN), pulse 1, luego pulse START/QUICK ON (INICIO/ENCENDIDO RÁPIDO). Se visualiza "LOCK ON" (BLOQUEO ACTIVADO) en la pantalla del panel de control.

Para desbloquear:

- 1 Pulse SETTINGS (CONFIGURACIÓN), luego pulse START/QUICK ON (INICIO/ENCENDIDO RÁPIDO). Se visualiza "CHILD LOCK OFF" (BLOQUEO PARA NIÑOS DESACTIVADO) en la pantalla del panel de control.

### SEÑAL SONORA

Una señal sonora se escuchará con cada toque y cuando el tiempo de cocción y del temporizador hayan finalizado.

Para detener la señal:

- 1 Pulse SETTINGS (CONFIGURACIÓN), pulse 2, luego pulse STOP/CLEAR (DETENER/BORRAR). Se visualiza "SOUND OFF" (SONIDO DESACTIVADO) en la pantalla del panel de control.

Para restablecer la señal:

- 1 Pulse SETTINGS (CONFIGURACIÓN), pulse 2, luego pulse START/QUICK ON (INICIO/ENCENDIDO RÁPIDO). Se visualiza "SOUND ON" (SONIDO ACTIVADO) en la pantalla del panel de control.

### SELECCIÓN DE IDIOMA/PESO

Esta función permite al usuario elegir el idioma y peso de su preferencia. Las opciones de idioma incluyen inglés, español y francés. Las medidas de peso pueden mostrarse en sistema imperial (lb) o métrico (kg).

Para seleccionar el idioma/peso:

- 1 Pulse SETTINGS (CONFIGURACIÓN), luego pulse 4.
- 2 Manténgalo pulsado hasta que aparezca el idioma/peso deseado, a continuación pulse START/QUICK ON (INICIO/ENCENDIDO RÁPIDO).

## Cocción manual

### NIVEL DE POTENCIA

El horno de microondas tiene diez niveles de potencia preestablecidos.

Para cocinar manualmente con la potencia al 100%:

- 1 Use las teclas numéricas para introducir el tiempo de cocción deseado.
- 2 Pulse START/QUICK ON (INICIO/ENCENDIDO RÁPIDO).
- 3 El horno dará un aviso sonoro y se visualizará "END" (FIN) en la pantalla del panel de control cuando haya finalizado.

Para cocinar manualmente a un nivel de potencia menor del 100%, pulse POWER LEVEL (NIVEL DE POTENCIA) y, a continuación pulse las teclas numéricas para seleccionar el nivel de potencia deseado (por ejemplo 7 para una potencia del 70%).

### MÚLTIPLES SECUENCIAS DE COCCIÓN

El horno de microondas puede programarse hasta con cuatro secuencias automáticas de cocción y pasar de un nivel de potencia a otro automáticamente. Pulse POWER LEVEL (NIVEL DE POTENCIA) durante la cocción para visualizar el nivel de potencia.

Para utilizar las múltiples secuencias de cocción (por ejemplo, empezar con 100%, luego cambiar a 50% de potencia):

- 1 Pulse POWER LEVEL (NIVEL DE POTENCIA) dos veces (potencia del 100%). Use las teclas numéricas para introducir el tiempo de cocción deseado.
- 2 Pulse POWER LEVEL (NIVEL DE POTENCIA) y a continuación pulse 5 (potencia del 50%). Use las teclas numéricas para introducir el tiempo de cocción deseado.
- 3 Pulse START/QUICK ON (INICIO/ENCENDIDO RÁPIDO).

### INICIO AUTOMÁTICO

El horno de microondas puede ser programado para empezar a cocinar automáticamente a una hora específica del día. El reloj debe estar configurado con la hora correcta para que el inicio automático funcione correctamente.

Para usar el inicio automático:

- 1 Pulse SETTINGS (CONFIGURACIÓN), luego pulse 3 para seleccionar el inicio automático.
- 2 Use las teclas numéricas para introducir la hora de inicio.
- 3 Presione CLOCK (RELOJ).
- 4 Use las teclas numéricas para introducir el tiempo de cocción. Si es necesario ajuste el nivel de potencia.
- 5 Pulse START/QUICK ON (INICIO/ENCENDIDO RÁPIDO). Se visualiza la hora de inicio automático en la pantalla del panel de control. Pulse CLOCK (RELOJ) para ver la hora del día.



### Modos de cocción

#### PALOMITAS DE MAÍZ

La función palomitas de maíz con sensor prepara palomitas de maíz de microondas. Utilice únicamente las palomitas de maíz empaquetadas para hornos de microondas.

Para usar la función palomitas de maíz:

- 1 Pulse POPCORN (PALOMITAS DE MAÍZ).
- 2 Pulse START/QUICK ON (INICIO/ENCENDIDO RÁPIDO).

#### BEBIDA

La función bebida recalientará una bebida o preparará agua caliente para café o té.

Para usar la función bebida:

- 1 Pulse BEVERAGE (BEBIDA).
- 2 **Para recalentar una bebida:** pulse 1 varias veces para seleccionar la cantidad en incrementos de  $\frac{1}{2}$  taza, hasta 2 tazas.

**Para agua caliente:** pulse 2 varias veces para seleccionar la cantidad en incrementos de 1 taza, hasta 6 tazas.

- 3 Pulse START/QUICK ON (INICIO/ENCENDIDO RÁPIDO).

#### PAPAS HORNEADAS

La función de papas horneadas con sensor preparará una papa horneada.

Para utilizar la función de papas horneadas:

- 1 Pulse BAKED POTATO (PAPAS HORNEADAS).
- 2 Pulse START/QUICK ON (INICIO/ENCENDIDO RÁPIDO).

#### ENTRADAS CONGELADAS

La función de entradas congeladas con sensor preparará un platillo de entrada congelado.

Para utilizar la función de entradas congeladas:

- 1 Pulse FROZEN ENTREE (ENTRADAS CONGELADAS).
- 2 Pulse START/QUICK ON (INICIO/ENCENDIDO RÁPIDO).

#### TOCINO

La función de tocino preparará hasta 6 rebanadas de tocino.

Para usar la función de tocino:

- 1 Pulse BACON (TOCINO), a continuación seleccione el número de rebanadas.
- 2 Pulse START/QUICK ON (INICIO/ENCENDIDO RÁPIDO).

#### VEGETALES CONGELADOS

La función de vegetales congelados con sensor preparará vegetales congelados.

Para utilizar la función de vegetales congelados:

- 1 Pulse FROZEN VEGETABLES (VEGETALES CONGELADOS).
- 2 Pulse START/QUICK ON (INICIO/ENCENDIDO RÁPIDO).

#### ABLANDAR

La función ablandar ablandará el helado o el queso crema.

Para usar la función ablandar:

- 1 Pulse SOFTEN (ABLANDAR).
- 2 **Para helado:** pulse 1 una vez para 1 cuarto de litro o dos veces para  $\frac{1}{2}$  galón.  
**Para queso crema:** pulse 2 una vez para 3 onzas o dos veces para 8 onzas.
- 3 Pulse START/QUICK ON (INICIO/ENCENDIDO RÁPIDO).

#### RECALENTADO

La función de recalentado con sensor detecta la humedad de los alimentos a medida que los recalienta y ajusta automáticamente el tiempo de cocción y el nivel de potencia.

Para usar la función de recalentado:

- 1 Pulse REHEAT (RECALENTADO).
- 2 Pulse START/QUICK ON (INICIO/ENCENDIDO RÁPIDO).

## Modos de cocción

### DERRETIR

La función derretir derretirá la mantequilla o el chocolate.

Para usar la función derretir:

- 1 Pulse MELT (DERRETIR).
- 2 **Para mantequilla:** pulse 1 una vez para 2 cucharadas o dos veces para  $\frac{1}{2}$  taza.  
**Para chocolate:** pulse 2 una vez para 1 taza o dos veces para una onza.
- 3 Pulse START/QUICK ON (INICIO/ENCENDIDO RÁPIDO).

### MANTENER CALIENTE

La función mantener caliente mantendrá los alimentos calientes hasta por 90 minutos.

Para usar la función mantener caliente:

- 1 Pulse KEEP WARM (MANTENER CALIENTE).
- 2 Use las teclas numéricas para ingresar el tiempo que se desea mantener los alimentos calientes.
- 3 Pulse START/QUICK ON (INICIO/ENCENDIDO RÁPIDO).

### MINUTO ADICIONAL

La función minuto adicional cocina un minuto al 100% al pulsar ADD MINUTE (MINUTO ADICIONAL). Pulse varias veces para aumentar el tiempo de cocción. Cada pulsación aumenta un minuto de tiempo. Esta función no se puede utilizar con descongelar o Gourmet.

## Descongelar

### DESCONGELACIÓN AUTOMÁTICA

La función de descongelación automática utiliza la configuración preestablecida para descongelar los alimentos seleccionados. Consulte la guía de descongelación automática en la página 13. Para alimentos que no se encuentran en la lista, consulte descongelación manual.

Para seleccionar la descongelación automática:

- 1 Pulse AUTO DEFROST (DESCONGELACIÓN AUTOMÁTICA), luego utilice las teclas numéricas para seleccionar los alimentos deseados (por ejemplo, 3 para piezas de pollo).
- 2 Use las teclas numéricas para introducir el peso.
- 3 Pulse START/QUICK ON (INICIO/ENCENDIDO RÁPIDO). Después de un periodo de tiempo, el horno de microondas se detendrá para que usted pueda revisar los alimentos.
- 4 Abra la puerta y voltee los alimentos.
- 5 Repita hasta que se hayan descongelado completamente.

### DESCONGELACIÓN MANUAL

La función de descongelación manual descongela automáticamente a una potencia del 30%. Los alimentos deben voltearse durante todo el proceso para asegurar una descongelación uniforme. Para descongelar a otro nivel de potencia, consulte el nivel de potencia en la página 10.

Para descongelar de forma manual:

- 1 Pulse MANUAL DEFROST (DESCONGELACIÓN MANUAL).
- 2 Use las teclas numéricas para introducir el tiempo deseado.
- 3 Pulse START/QUICK ON (INICIO/ENCENDIDO RÁPIDO).

## Guía de descongelación automática

NÚMERO	ALIMENTOS	CANTIDAD	MÉTODO
1	Carne molida	1/2 a 2 lb (230 g a 1.1 kg)	Retire cualquier pieza descongelada después de cada señal sonora. Deje reposar de 5 a 10 minutos, cubiertas.
2	Filetes, chuletas o pescado	1/2 a 3 lb (230 g a 1.4 kg)	Vuelva a acomodarlos después de cada señal sonora. Si hay porciones tibias o descongeladas, cúbralas con pedazos pequeños de papel de aluminio. Retire la carne que esté casi descongelada. Deje reposar de 10 a 20 minutos, cubiertas.
3	Piezas de pollo	1/2 a 2 lb (230 g a 1.1 kg)	Después de cada señal sonora, reacomode las piezas o retírelas si están calientes o descongeladas. Deje reposar de 10 a 20 minutos, cubiertas.
4	Asar	2 a 4 lb (1.1 a 1.8 g)	Empiece a descongelar con el lado de la grasa hacia abajo. Después de cada señal sonora, voltee del otro lado y cubra las áreas calientes con papel de aluminio. Deje reposar de 30 a 60 minutos, cubierto.
5	Guisado o sopa	1 a 6 tazas (240 ml a 1.4 L)	Después de cada señal sonora, separe y retire cualquier pieza descongelada. Al final, revuelva bien y deje reposar de 5 a 10 minutos, cubierta.

## Gourmet

La función Gourmet detecta la humedad de los alimentos a medida que calienta y ajusta automáticamente el tiempo de cocción y el nivel de potencia. Cuenta con dos opciones para vegetales frescos y aves. Siga las instrucciones en la pantalla del panel de control para seleccionar la opción deseada.

### Para seleccionar Gourmet:

- 1 Pulse GOURMET, a continuación utilice las teclas numéricas para seleccionar Recipes (Recetas), Breakfast (Desayuno), Lunch (Almuerzo) o Dinner (Cena).
- 2 Use las teclas numéricas para seleccionar la receta/comida deseada.
- 3 Pulse START/QUICK ON (INICIO/ENCENDIDO RÁPIDO).

## Recetas

### 1 ENVUELTOS DE TERNERA

En una cacerola de 2 cuartos de galón (2 L) coloque:  
1 lb (.5 kg) de carne de res molida

Separe y cubra. Pulse RECIPES (RECETAS), número 1 para seleccionar **Beef Wraps** (Envueltos de carne) y a continuación pulse START/QUICK ON (INICIO/ENCENDIDO RÁPIDO).

Durante la pausa, cuele la grasa y separe la carne molida en piezas pequeñas. Agregue:

Un paquete de 10 onzas (285 g) de espinacas picadas congeladas, descongelado y escurrido

1 1/2 tazas (360 ml) de salsa

1 a 3 cucharaditas (5 a 15 ml) de chile en polvo

Mezcle bien. Cubra. Pulse START/QUICK ON (INICIO/ENCENDIDO RÁPIDO).

Al final, mezcle bien y divida el guisado en 8 tortillas de maíz calientes. Espolvoree con 1 taza (90 g) de queso cheddar rallado.

Rinde 6 porciones.

### 2 POLLO A LA MEXICANA

En una cacerola de 3 cuartos de galón (3 L) coloque en capas:  
2 tazas (230 g) de arroz instantáneo

1 taza (240 ml) de salsa para fajitas previamente mezclada con  
1/2 taza (120 ml) de consomé o caldo de pollo

2 paquetes de 10 onzas (285 g) de mezcla de condimentos (cebolla, pimientos, perejil y cilantro)

1 lb (.5 kg) de pechuga de pollo sin hueso rebanada en tiras delgadas de 1" (25)

Cubra. Pulse RECIPES (RECETAS), número 2 para seleccionar **Mexican Chicken** (Pollo a la mexicana) y a continuación pulse START/QUICK ON (INICIO/ENCENDIDO RÁPIDO).

Durante la pausa, mezcle los ingredientes asegurándose de que las tiras de pollo estén separadas e incorporadas con el arroz y la salsa. Cubra. Pulse START/QUICK ON (INICIO/ENCENDIDO RÁPIDO).

Al final, mezcle nuevamente. Sirva con ejotes preparados con mantequilla y tortillas tostadas.

Rinde 6 porciones.

## Recetas

### 3 ENSALADA ITALIANA

Para cocer la pasta, en una cacerola de 3 cuartos de galón (3 L) coloque:

6 tazas (1.4 L) de agua bien caliente

Cubra. Pulse RECIPES (RECETAS), número 3 para seleccionar **Italian Salad** (Ensalada italiana) y a continuación pulse START/QUICK ON (INICIO/ENCENDIDO RÁPIDO).

Durante la pausa, agregue:

8 onzas (230 g) de pasta rotini o fusilli tricolor

1 cucharadita (5 ml) de aceite

No cubra. Pulse START/QUICK ON (INICIO/ENCENDIDO RÁPIDO). Al final, cuele la pasta y déjela reposar.

Para cocinar el pollo, en una tartera de 9" (229) coloque:

1 lb (.5 kg) de pechuga de pollo sin hueso, rebanada en tiras delgadas de 1" (25)

Cubra. Pulse START/QUICK ON (INICIO/ENCENDIDO RÁPIDO). Durante la pausa, reacomode las piezas, pase las que están menos cocidas hacia las orillas de la tartera. Cubra. Pulse START/QUICK ON (INICIO/ENCENDIDO RÁPIDO). Al final, cuele y deje reposar.

Para hacer la ensalada, en una ensaladera grande coloque:

Pasta cocida

Pechuga de pollo cocida

2 tomates, rebanados en ocho partes

1/2 taza (75 g) de aceitunas negras rebanadas

1 taza (90 g) de queso mozzarella rallado

1/4 taza (40 g) de cebolla roja, picada

3/4 a 1 taza (180–240 ml) de aderezo de vinagre y aceite con pesto

Mezcle para cubrir todas las piezas. Sirva inmediatamente o guarde en el refrigerador para servir más tarde. Ideal cuando se sirve con panecillos crujientes calientes.

Rinde 6 porciones.

### 4 MACARRONES CON ATÚN

Para cocer los macarrones, en una cacerola de 3 cuartos de galón (3 L) coloque:

6 tazas (1.4 L) de agua bien caliente

Cubra. Pulse RECIPES (RECETAS), número 4 para seleccionar **Tuna Macaroni** (Macarrones con atún) y a continuación pulse START/QUICK ON (INICIO/ENCENDIDO RÁPIDO).

Durante la pausa, agregue:

2 tazas (280 g) de macarrones de codito

1 cucharadita de (5 ml) aceite

No cubra. Pulse START/QUICK ON (INICIO/ENCENDIDO RÁPIDO). Al final, cuele los macarrones y deje reposar en la cacerola.

En un tazón combine:

Una lata de 10 3/4 onzas (305 g) de crema o sopa de apio

1/2 taza (120 ml) de leche

1/2 taza (120 ml) de crema ácida sin grasa

En la cacerola que contiene los macarrones agregue:

Mezcla de sopa, leche y crema

Una lata de 6 1/2 onzas (185 g) de atún blanco, escurrido y desmenuzado

1 taza (150 g) de chícharos congelados

1 taza (90 g) de queso cheddar rallado

Sal y pimienta al gusto

Revuelva todo hasta que quede bien mezclado. Cubra. Pulse START/QUICK ON (INICIO/ENCENDIDO RÁPIDO).

Al final, mezcle nuevamente. Sirva con palitos de zanahoria fresca, ensalada mixta y panecillos.

Rinde 6 porciones.

### 5 SALTEADO DE HORTALIZAS

En una cacerola de 2 1/2 cuartos de galón (2.5 L) coloque:

1 lb (.5 kg) de papas para hornear peladas, rebanadas en ocho partes delgadas

Una lata de 14 1/2 onzas (410 g) de tomates en cuadritos

2 cucharaditas (10 ml) de ajo molido

1 cucharadita (5 ml) de hojas de tomillo

Cubra con una tapa. Pulse RECIPES (RECETAS), número 5 para seleccionar **Garden Medley** (Salteado de hortalizas) y a continuación pulse START/QUICK ON (INICIO/ENCENDIDO RÁPIDO).

Durante la pausa, mezcle bien y agregue:

Un paquete de 16 onzas (455 g) de verduras mixtas congeladas para sofreír

2 tazas (300 g) de calabacín en rodajas finas

Cubra. Pulse START/QUICK ON (INICIO/ENCENDIDO RÁPIDO).

Al final, espolvoree con 1 taza (90 g) de queso cheddar rallado. Sirva con ensalada de espinaca y melón fresco.

Rinde 6 porciones.

## Desayuno

NÚMERO	ALIMENTOS	CANTIDAD	MÉTODO
1	Huevos revueltos	1 a 9 huevos	Para cada huevo, use 1 cucharadita (5 ml) de mantequilla o margarina y 1 cucharada (15 ml) de leche. Coloque la mantequilla en un plato lo suficientemente grande para permitir que el huevo se expanda. Mezcle el huevo y la leche. Vierta sobre la mantequilla en el plato. Coloque en el horno y programe. Cuando el horno emita una señal sonora, revuelva la mezcla de huevo, moviendo porción cocida al centro del plato y la parte cruda hacia el exterior. Después de la cocción, revuelva y deje reposar, tapado, hasta que cuaje (los huevos estarán ligeramente semicrudos cuando los retire del horno).
2	Cereal caliente	1 a 6 porciones	Use paquetes individuales o cereal caliente a granel o harina de avena. Utilice una cantidad de agua o leche conforme a las instrucciones del paquete. Para evitar que el líquido se desborde, elija un recipiente grande. Si el horno se detiene, mezcle y pulse START/QUICK ON (INICIO/ENCENDIDO RÁPIDO). Después de la cocción, revuelva y deje reposar por 2 minutos, cubierto.
3	Panecillos y panquecitos	Frescos 1 a 10 piezas  Congelados 1 a 10 piezas	Use para calentar panecillos, panquecitos, galletas, bagels, etc. Los artículos grandes deben considerarse como 2 o 3 de tamaño normal. Colóquelos en un plato y cubra con una toalla de papel.  Para calentar panecillos y panquecitos frescos, pulse BREAKFAST (DESAYUNO) y 3, a continuación pulse 1. Ingrese la cantidad y pulse START/QUICK ON (INICIO/ENCENDIDO RÁPIDO). Para panecillos y panquecitos refrigerados, puede ser necesario doblar la cantidad para asegurar una temperatura óptima de servicio.  Para panecillos y panquecitos congelados, pulse BREAKFAST (DESAYUNO) y 3, a continuación pulse 2. Ingrese la cantidad y pulse START/QUICK ON (INICIO/ENCENDIDO RÁPIDO).
4	Alimentos para desayuno congelados	3 a 6 onzas (85 a 170 g)	Utilice para entradas de desayuno, hotcakes, waffles, burritos, etc. Siga las instrucciones que vienen en el empaque. No es necesario ingresar una cantidad. Después de la cocción, deje reposar de 1 a 2 minutos.

## Almuerzo

NÚMERO	ALIMENTOS	CANTIDAD	MÉTODO
1	Comida en taza	1 taza (240 ml)	Para porciones individuales de comida enlatada utilice un contenedor para uso en microondas de 8 onzas (240 ml). Retire la tapa interna de metal y vuelva a colocar la tapa para uso en microondas. Después de la cocción, mezcle y deje reposar de 1 a 2 minutos.
2	Hot dogs en bollos	1 a 4 piezas	Coloque la salchicha en el bollo. Envuelva cada uno en una toalla de papel.
3	Sopa	1 a 8 tazas (240 ml a 1.9 L)	Coloque en un tazón o cacerola. Cubra con una tapa o envoltura de plástico perforada. Al final, revuelva y deje reposar de 1 a 3 minutos, cubierta.
4	Pizza para microondas	6 a 8 onzas (170 a 230 g)	Utilice con pizza para microondas congelada. Siga las instrucciones que vienen en el empaque. No es necesario ingresar una cantidad.
5	Sándwich congelado	3 a 6 onzas (85 a 170 g)	Utilice con sándwiches para microondas congelados. Siga las instrucciones que vienen en el empaque. No es necesario ingresar una cantidad.

## Cena

### 1 POLLO MARINADO

En una cacerola de 3 cuartos de galón (3 L) coloque:

- 1 cucharada (15 ml) de aceite
- 1/2 lb (230 g) de champiñones rebanados
- 1 cebolla picada
- 1 cucharada (15 ml) de ajo molido

Mezcle bien y cubra. Pulse DINNER (CENA) y 1 para seleccionar **Saucy Chicken** (Pollo marinado) y a continuación pulse START/QUICK ON (INICIO/ENCENDIDO RÁPIDO).

Mezcle:

- Un paquete de 8 onzas (230 g) de queso crema reducido en grasa, suavizado
- 1/4 de taza (60 ml) de leche

En la mezcla del queso crema agregue:

- Un paquete de 10 onzas (285 g) de chícharos congelados
- 2 tazas (450 g) de pechuga de pollo cocida en rebanadas delgadas
- Sal y pimienta al gusto

Durante la pausa, cuele los champiñones para retirar todo el líquido, agregue la mezcla de queso crema, chícharos y pollo y mezcle todo junto. Cubra. Pulse START/QUICK ON (INICIO/ENCENDIDO RÁPIDO).

Al final, agregue 1 taza (90 g) de queso monterrey jack rallado. Sirva sobre papas horneadas o pasta cocida.

Rinde 6 porciones.

### 2 PUERCO A LA HAWAIANA

En una cacerola de 3 cuartos de galón (3 L) coloque:

- 1 cucharada (15 ml) de aceite
- 1 lb (.5 kg) de lomo de cerdo sin hueso, rebanado en tiras de 1" (25), sazonado con sal y pimienta

Mezcle bien y cubra. Pulse DINNER (CENA) y 2 para seleccionar **Hawaiian Pork** (Puerco a la hawaiana) y a continuación pulse START/QUICK ON (INICIO/ENCENDIDO RÁPIDO).

En un tazón grande combine bien:

- 1 taza (240 g) de durazno o albaricoque en conserva
- 1/4 de taza (60 ml) de salsa barbecue
- 2 cucharadas (30 ml) de salsa de soya
- 2 cucharadas (30 ml) de maicena
- 1 taza (150 g) cebollas en rebanadas gruesas

Durante la pausa, agregue la mezcla de las conversas y mezcle bien. Cubra. Pulse START/QUICK ON (INICIO/ENCENDIDO RÁPIDO).

Durante la pausa, agregue:

- Una lata de 8 onzas (230 g) de castañas de agua, escurridas
- 1 pimiento verde, sin semillas y rebanado en tiras delgadas de 2" (51)
- 1 pimiento rojo, sin semillas y rebanado en tiras delgadas de 2" (51)
- Una lata de 20 onzas (565 g) de piña en trocitos, escurrida

Mezcle para combinar. Cubra. Pulse START/QUICK ON (INICIO/ENCENDIDO RÁPIDO).

Al final, mezcle nuevamente. Sirva sobre arroz cocido.

Rinde 6 porciones.



## Cena

### 3 CHILE DE FIESTA

En una cacerola de 3 cuartos de galón (3 L) coloque:  
 1 1/4 lb (.6 kg) de pavo molido  
 1/2 taza (75 g) de cebolla en cuadritos  
 1/2 taza (75 g) de pimiento rojo en cuadritos

Separe el pavo y mezcle la cebolla y el pimiento rojo. Cubra. Pulse DINNER (CENA), número 3 para seleccionar **Fiesta Chili** (Chile de fiesta) y a continuación pulse START/QUICK ON (INICIO/ENCENDIDO RÁPIDO).

Durante la pausa, cuele y agregue:  
 8 onzas (230 g) de salsa troceada  
 Una lata de 11 onzas (310 g) de maíz mexicano, escurrido  
 Una lata de 15 onzas (425 g) de chile con frijoles  
 1 a 3 cucharaditas (5–15 ml) de chile en polvo

Mezcle bien. Cubra. Pulse START/QUICK ON (INICIO/ENCENDIDO RÁPIDO).

Al final, mezcle bien. Sirva sobre arroz cocido o tortillas para nachos. Espolvoree con 2 tazas (180 g) de queso monterrey jack o cheddar rallado.

Rinde 6 porciones.

### 4 SALMÓN GLASEADO

Combine:  
 1/4 de taza (60 ml) de jugo de naranja concentrado  
 2 cucharadas (30 ml) de mostaza dulce  
 1 cucharada (15 ml) de jengibre fresco rallado o 2 cucharaditas (10 ml) de jengibre en polvo

En una cacerola de cristal de 7" x 11" (178 x 279) coloque:  
 1 1/2 lb (.7 kg) de filete de salmón

Bañe el salmón con la mitad de la mezcla de naranja. Cubra con una envoltura de plástico. Pulse DINNER (CENA) y 4 para seleccionar **Glazed Salmon** (Salmón glaseado) y a continuación pulse START/QUICK ON (INICIO/ENCENDIDO RÁPIDO).

Durante la pausa, coloque alrededor del salmón:  
 3 tazas (450 g) de floretes de brócoli  
 1 pimiento rojo, rebanado en tiras delgadas

Bañe las verduras con el resto de la mezcla de naranja. Espolvoree todo con 2 cucharadas (30 ml) de ajonjolí. Pulse START/QUICK ON (INICIO/ENCENDIDO RÁPIDO).

Al final, deje reposar de 3 a 5 minutos, cubierto. Sirva con arroz a la mantequilla, pasta o papas y decore con perejil.

Rinde 6 porciones.

### 5 FRITTATA SALUDABLE

En una tartera de 9" (229) engrasada coloque:  
 1/2 lb (230 g) de champiñones rebanados  
 3/4 de taza (110 g) de cebolla picada  
 1 cucharada (15 ml) de ajo molido  
 1/4 lb (115 g) de salchicha ahumada baja en grasa picada

Cubra con una envoltura de plástico. Pulse DINNER (CENA), número 5 para seleccionar **Healthy Frittata** (Frittata Saludable) y a continuación pulse START/QUICK ON (INICIO/ENCENDIDO RÁPIDO).

Durante la pausa, cuele y deje reposar.

En un tazón mediano, combine y mezcle bien:  
 3 huevos grandes  
 1/2 taza (120 ml) de crema ácida sin grasa  
 1 cucharada (15 ml) de mostaza Dijon  
 1/2 cucharadita (2 ml) de sal  
 1/8 cucharadita (.5 ml) de pimienta

Agregue y mezcle:  
 5 onzas (140 g) de espinaca picada congelada, descongelada y exprimida  
 1 taza (90 g) de queso suizo rallado

Vierta la mezcla en el tazón sobre la mezcla de champiñones, cebolla y salchicha. Mezcle todo con cuidado. No cubra. Pulse START/QUICK ON (INICIO/ENCENDIDO RÁPIDO).

Al final, retire del horno y deje reposar de 3 a 5 minutos. Sirva con ensalada mixta y rebanadas de tomate para desayunar o almorzar.

Rinde 6 porciones.

## Recomendaciones sobre el cuidado

LIMPIEZA	
Acero inoxidable	Use un limpiador no abrasivo para acero inoxidable y aplique con un paño suave sin pelusa. Para resaltar el lustre natural, limpie suavemente la superficie con una tela de microfibra humedecida con agua, seguida con una gamuza para pulir en seco. Siempre siga la dirección del acabado del acero inoxidable.
Frente de la puerta	Rocíe líquido limpiador de cristales en un paño para limpiar.
Panel de control	Utilice desengrasante en aerosol para retirar las marcas de los dedos y los residuos de alimentos. Rocíe el producto en un paño antes de limpiar el panel. <b>AVISO IMPORTANTE:</b> no aplique los limpiadores directamente sobre el panel de control. Para bloquear el panel de control antes de limpiarlo, consulte la página 9.
Interior	Limpie con un paño suave y húmedo. No utilice limpiadores abrasivos o agresivos ni estropajos. Para residuos más difíciles, utilice bicarbonato de sodio o un detergente suave, enjuague bien con agua caliente. No utilice limpiadores químicos para hornos.
Plato giratorio	Desmonte para limpiar. Lave con agua y jabón suave. Para manchas difíciles utilice un limpiador suave y una esponja de limpieza no abrasiva. El plato giratorio también es apto para lavado en lavavajillas.
Cubierta de guía de onda	La cubierta de guía de onda que se encuentra dentro de la parte superior al interior del microondas. Limpie cuidadosamente con un paño suave y húmedo. No retire la cubierta de guía de onda.

## Resolución de problemas

### El horno de microondas no funciona.

- Compruebe si la unidad está encendida.
- Compruebe que la alimentación eléctrica a la unidad y el interruptor de circuito de la casa estén encendidos.

### El horno de microondas no calienta los alimentos.

- Compruebe que los controles tienen la configuración correcta.

### La luz interna no funciona.

- El foco está suelto o fundido. Póngase en contacto con el servicio certificado de fábrica de Wolf.

### Los controles digitales no funcionan.

- El bloqueo del panel de control está activado. Consulte la página 9 para desbloquear.

### La pantalla parpadea.

- Falla eléctrica. Pulse STOP/CLEAR (DETENER/BORRAR) y reajuste el reloj. Si el horno de microondas estaba en uso, restablezca la función de cocción.

### El horno de microondas causa interferencia con la radio o la televisión.

- Verifique si el horno de microondas está en un circuito eléctrico diferente, reubique la radio o la televisión lo más lejos posible del horno de microondas o compruebe la posición y señal de la antena.

### Servicio

- Para mantener la calidad incorporada en su producto, póngase en contacto con el servicio certificado de fábrica de Wolf. Para obtener los datos del centro de servicio autorizado de Wolf más cercano, eche un vistazo a la sección de contacto y servicio técnico en nuestro sitio web, [wolfappliance.com](http://wolfappliance.com) o llame a la línea de atención al cliente de Wolf al 800-222-7820.
- Al comunicarse con el servicio, necesitará el modelo y número de serie de su producto. Los dos números también aparecen en la placa de datos del producto. Consulte la página 6 para encontrar la placa de datos.
- Para fines de la garantía, usted también necesitará la fecha de instalación y el nombre de su distribuidor autorizado de Wolf. Esta información debe estar registrada en la página 2 de este manual.

Wolf, Wolf & Design, Wolf Gourmet, W & Design y el color rojo aplicado a las perillas son marcas comerciales registradas y marcas de servicio de Wolf Appliance, Inc. Sub-Zero, Sub-Zero & Design, Dual Refrigeration, Constant Care, The Living Kitchen, Great American Kitchens The Fine Art of Kitchen Design e Ingredients son marcas comerciales registradas y marcas de servicio de Sub-Zero, Inc. (en conjunto, las "Marcas de la Compañía"). Todas las demás marcas comerciales o marcas comerciales registradas son propiedad de sus respectivos propietarios en los Estados Unidos y otros países.

## Garantía limitada residencial de Wolf Appliance

PARA USO RESIDENCIAL

### GARANTÍA COMPLETA DE DOS AÑOS\*

Durante dos años a partir de la fecha de la instalación original, la garantía de su producto Wolf Appliance cubre todas las partes y mano de obra para reparar o reemplazar, bajo el uso residencial normal, cualquier parte del producto que se compruebe estar defectuosa en material o mano de obra. Todos los servicios proporcionados por Wolf Appliance bajo la garantía anterior deben ser ejecutados por servicios certificados de fábrica de Wolf, a menos que Wolf Appliance, Inc. lo especifique de otra manera. El Servicio será proporcionado durante el horario comercial normal.

### GARANTÍA LIMITADA DE CINCO AÑOS

Por cinco años a partir de la fecha de la instalación original, Wolf Appliance reparará o reemplazará los siguientes componentes que se comprueben estar defectuosos en material o mano de obra: quemadores de gas (excluyendo la apariencia), elementos eléctricos de calentamiento, motores de sopladores (campanas de ventilación), módulos de control eléctrico, tubos magnetrón y generadores de inducción. Si el propietario utiliza el servicio certificado de fábrica de Wolf, el prestador del servicio reparará o reemplazará estas partes mediante el pago de todos los otros costos, incluyendo mano de obra, a cargo del propietario. Si el propietario utiliza un servicio no certificado, debe ponerse en contacto con Wolf Appliance, Inc. (utilizando la información anotada más adelante) para recibir los componentes reparados o de reemplazo. Wolf Appliance no reembolsará al propietario los importes correspondientes a componentes comprados a un servicio no certificado o a otras fuentes.

### TÉRMINOS APLICABLES A CADA GARANTÍA

La garantía se aplica solamente a los productos instalados para uso residencial normal. La garantía se aplica solamente a los productos instalados en cualquiera de los cincuenta estados de los Estados Unidos, el Distrito de Columbia o las diez provincias de Canadá. Esta garantía no cubre las partes o mano de obra para corregir cualquier defecto causado por negligencia, accidente o uso, mantenimiento, instalación, servicio o reparación inadecuados.

LOS RECURSOS DESCRITOS ANTERIORMENTE PARA CADA GARANTÍA SON LOS ÚNICOS QUE WOLF APPLIANCE, INC. PROPORCIONARÁ, YA SEA BAJO ESTA GARANTÍA O BAJO CUALQUIER GARANTÍA QUE RESULTE DE LA APLICACIÓN DE LA LEY. WOLF APPLIANCE, INC. NO SE HACE RESPONSABLE POR LOS DAÑOS INDIRECTOS O INCIDENTALES DERIVADOS DE LA VIOLACIÓN DE ESTA GARANTÍA O CUALQUIER OTRA GARANTÍA, YA SEA EXPRESA, IMPLÍCITA O LEGAL.

Algunos estados no permiten la exclusión o limitación de daños incidentales o consecuentes, por lo tanto la limitación o exclusión anterior podrían no aplicarse en su caso. Esta garantía le otorga derechos legales específicos, y usted también puede tener otros derechos legales que varían entre estados.

Para recibir las partes o el servicio y el nombre del servicio certificado de fábrica de Wolf más cercano a usted, póngase en contacto con Wolf Appliance, Inc., P.O. Box 44848, Madison, WI 53744; eche un vistazo a la sección de contacto y servicio técnico en nuestro sitio web, [wolfappliance.com](http://wolfappliance.com), envíenos un correo electrónico a [customerservice@subzero.com](mailto:customerservice@subzero.com) o llame al 800-222-7820.

\*Las puertas, paneles, manijas, estructuras de acero inoxidable y superficies internas están cubiertas por una garantía limitada de 60 días sobre piezas y mano de obra, por defectos cosméticos.

\*Los filtros de repuesto para los kits de circulación de la campana de ventilación no están cubiertos por la garantía del producto.



## Table des matières

- 4 Précautions de sécurité
- 6 Installation
- 7 Caractéristiques du four à micro-ondes
- 8 Fonctionnement du four à micro-ondes
- 20 Recommandations d'entretien
- 21 Dépannage
- 23 Garantie de Wolf

## Service à la clientèle

Le numéro de modèle et le numéro de série sont imprimés sur la fiche d'enregistrement du produit ci-jointe. Les deux numéros sont aussi indiqués sur la plaque signalétique du produit. Reportez-vous à la page 6 pour connaître l'emplacement de la plaque signalétique. Pour les besoins de la garantie, vous devrez aussi avoir la date d'installation et le nom de votre dépositaire Wolf autorisé. Inscrivez ces renseignements ci-dessous pour consultation ultérieure.

Si votre produit a besoin d'être réparé, assurez-vous d'utiliser un fournisseur de service certifié par l'usine Wolf recommandé par notre centre de service à la clientèle, ou sélectionnez-en un parmi la liste de fournisseurs disponibles à [wolfappliance.com/locator](http://wolfappliance.com/locator). Tous les fournisseurs de service certifiés par l'usine sont soigneusement sélectionnés et rigoureusement formés par nous.

### RENSEIGNEMENTS SUR LE SERVICE

Numéro de modèle

---

Numéro de série

---

Date de l'installation

---

Nom du service certifié

---

Numéro du service certifié

---

Dépositaire autorisé

---

Numéro du dépositaire

---

## Remarque importante

Pour s'assurer que ce produit est installé et utilisé en toute sécurité et aussi efficacement que possible, prenez note des types de renseignement mis en évidence tout au long de ce guide :

**REMARQUE IMPORTANTE** met en évidence des renseignements qui sont particulièrement importants.

**MISE EN GARDE** indique une situation où une blessure mineure ou des dommages au produit peuvent se produire si les directives ne sont pas respectées.

**AVERTISSEMENT** décrit un danger qui peut causer une blessure grave ou la mort si les précautions ne sont pas respectées.

**REMARQUE IMPORTANTE** : tout au long de ce guide, les dimensions entre parenthèses sont en millimètres à moins d'indication contraire.

## Merci

Merci de votre achat. Nous nous réjouissons à l'idée de faire partie de votre résidence pendant des décennies à venir. À titre d'entreprise familiale de troisième génération, nous avons un intérêt personnel dans la préparation des aliments de votre famille. Nous avons bâti notre entreprise et notre réputation en aidant les familles à servir les meilleurs aliments qui soient.

Grâce à votre achat, vous obtiendrez l'une des garanties les plus robustes de l'industrie des appareils électroménagers. Prenez un moment pour lire la déclaration de garantie complète à la page 23. Il est aussi important d'enregistrer votre appareil Wolf pour vous assurer de ne pas manquer les avantages exclusifs offerts aux propriétaires, comme l'assurance que vous serez pris en charge dans le cas peu probable où un service serait nécessaire durant la période de garantie et en vue d'avoir une preuve d'achat en cas de réclamation d'assurance habitation. Vous pouvez effectuer l'enregistrement de l'une des façons suivantes :

- En postant la fiche d'enregistrement du produit Wolf dûment remplie.
- En enregistrant votre appareil en ligne à [wolfappliance.com/register](http://wolfappliance.com/register) et en créant un compte personnalisé My Sub-Zero/Wolf avec le numéro de série de votre produit.
- Par téléphone en appelant le service à la clientèle de Wolf au 800-222-7820.

À titre de propriétaire Wolf, vous pouvez compter sur un soutien continu, jour après jour. Notre centre de service à la clientèle est offert 24 heures par jour, sept jours par semaine et composé d'employés experts en produit bien informés dans notre usine de Madison au Wisconsin. En cas de besoin, composez simplement le 800-222-7820 et parlez avec un de nos experts en produit. Ils vous aideront à résoudre tout problème que vous pourriez avoir.

Nous sommes confiants que ce guide répondra à vos questions au sujet des caractéristiques, du fonctionnement et de l'entretien de votre Wolf, mais si vous avez des questions supplémentaires, communiquez avec nous au 800-222-7820 ou visitez-nous en ligne à [wolfappliance.com](http://wolfappliance.com).



## DIRECTIVES IMPORTANTES

### PRÉCAUTIONS POUR ÉVITER UNE EXPOSITION POSSIBLE À UNE ÉNERGIE MICRO-ONDE EXCESSIVE

- Ne tentez pas de faire fonctionner ce four à micro-ondes avec la porte ouverte puisqu'un fonctionnement à porte ouverte peut entraîner une exposition nocive à l'énergie micro-onde. Il est important de ne pas déjouer ou modifier les verrouillages de sécurité.
- Ne placez pas des objets entre la face avant du four à micro-ondes et la porte et ne laissez pas de la saleté ou des résidus de nettoyants s'accumuler sur les surfaces d'étanchéité.
- Ne faites pas fonctionner le four à micro-ondes s'il est endommagé. Il est particulièrement important que la porte du four se ferme correctement et qu'il n'y ait pas de dommages : (1) à la porte (courbée), (2) aux charnières et loquets (brisés ou lâches), (3) aux joints de portes et aux surfaces d'étanchéité.
- Le four à micro-ondes ne doit pas être réglé ou réparé par quiconque à l'exception de techniciens de service adéquatement qualifiés.

Pendant l'utilisation d'appareils électriques, des précautions de sécurité de base doivent être respectées, y compris les suivantes :

#### ▲ AVERTISSEMENT

Pour réduire le risque de brûlures, d'électrocution, d'incendie, de blessures ou d'exposition excessive à l'énergie micro-onde, respectez les consignes suivantes :

- Lisez toutes les directives avant d'utiliser l'appareil.
- Lisez et respectez les PRÉCAUTIONS SPÉCIFIQUES POUR ÉVITER UNE EXPOSITION POSSIBLE À UNE ÉNERGIE MICRO-ONDE EXCESSIVE.
- Cet appareil doit être mis à la terre de la façon appropriée. Reportez-vous aux DIRECTIVES DE MISE À LA TERRE à la page 6.
- Installez ou placez cet appareil seulement de façon conforme aux directives d'installation fournies à la page 6.
- Certains produits, comme les œufs entiers et les contenants hermétiques (les pots en verre fermés par exemple), peuvent exploser et ne doivent pas être chauffés dans ce four.
- Ne faites pas fonctionner cet appareil si son cordon ou sa fiche sont endommagés, s'il ne fonctionne pas correctement ou s'il a été endommagé ou échappé.



### DIRECTIVES IMPORTANTES

- Utilisez cet appareil seulement pour son usage prévu comme il est décrit dans ce guide. N'utilisez pas de vapeurs ou de produits chimiques corrosifs dans cet appareil. Ce type de four est spécialement conçu pour chauffer, cuire ou sécher les aliments. Il n'est pas conçu pour un usage industriel ou en laboratoire.
- Cet appareil ne doit être réparé que par des techniciens de service qualifiés. Communiquez avec le centre de service autorisé le plus proche pour tout examen, réparation ou ajustement.
- Comme avec tous les appareils, une supervision étroite est requise lors de l'utilisation par des enfants.
- Ne couvrez pas et ne bloquez pas les ouvertures de l'appareil.
- Ne rangez pas cet appareil à l'extérieur. N'utilisez pas ce produit près de l'eau (près d'un évier de cuisine, dans un sous-sol humide ou près d'une piscine ou d'endroits similaires, par exemple).
- N'immergez pas le cordon ou la fiche dans l'eau.
- Gardez le cordon loin de toute surface chaude.
- Ne laissez pas le cordon pendre sur le rebord d'une table ou d'un comptoir.
- Lorsque vous nettoyez les surfaces d'étanchéité de l'appareil qui se joignent à la fermeture de la porte, utilisez seulement des savons ou des détergents doux, non abrasifs appliqués avec une éponge ou un chiffon doux. Reportez-vous aux recommandations d'entretien à la page 9.
- Les liquides, comme l'eau, le café ou le thé, peuvent être surchauffés au-delà du point d'ébullition sans sembler bouillir. Des bulles ou de l'ébullition visibles lorsque le contenant est retiré du four à micro-ondes ne sont pas toujours présentes. CELA POURRAIT DONNER LIEU À DES LIQUIDES TRÈS CHAUDS QUI DÉBORDENT PAR BOUILLONNEMENT LORSQUE LE CONTENANT EST DÉPLACÉ OU UN USTENSILE EST INSÉRÉ DANS LE LIQUIDE.

### POUR RÉDUIRE LE RISQUE DE FEU DANS LE FOUR

- Ne faites pas trop cuire les aliments. Surveillez attentivement l'appareil lorsque du papier, du plastique ou d'autres matériaux combustibles sont placés à l'intérieur du four pour faciliter la cuisson.
- Retirez les liens torsadés métalliques des sacs en papier ou en plastique avant de mettre le sac dans le four.
- Si les matériaux à l'intérieur du four s'enflamment, gardez la porte du four fermée, éteignez le four et débranchez le cordon d'alimentation ou coupez le courant au niveau du fusible ou du disjoncteur.
- N'utilisez pas la cavité comme espace de rangement. Ne laissez pas des produits en papier, des ustensiles de cuisson ou des aliments dans la cavité lorsque le four n'est pas utilisé.

### CONSERVEZ CES DIRECTIVES

### Installation

Le four à micro-ondes peut être utilisé en le plaçant sur le comptoir ou en l'encastrant dans une armoire au moyen d'une garniture accessoire qui convient aux fours de la série L ou E de Wolf.

Pour les applications sur le comptoir, un espace minimal de 2 po (51) est requis sur le dessus, à l'arrière et sur les côtés du four à micro-ondes pour permettre à l'air de circuler.

Pour les applications encastrées, reportez-vous aux directives d'installation fournies avec la trousse de garniture. Les trousse de garniture accessoire sont offertes par les dépositaires Wolf autorisés. Pour obtenir des renseignements sur le dépositaire local, visitez la section salle d'exposition de notre site Web, [wolfappliance.com](http://wolfappliance.com).

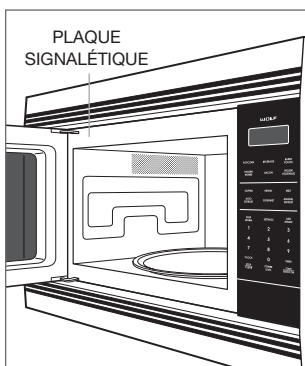
### Électricité

L'installation doit se conformer à tous les codes électriques applicables.

La prise doit se trouver à la portée du cordon d'alimentation. Pour les applications encastrées, reportez-vous aux directives d'installation fournies avec la trousse de garniture pour connaître l'emplacement de l'électricité.

#### EXIGENCES ÉLECTRIQUES

Alimentation électrique	mise à la terre, 120 volts CA, 60 Hz
Service	circuit dédié de 15 ampères
Prise	mise à la terre à trois broches
Cordon d'alimentation	4 pi (1,2 m)



Emplacement de la plaque signalétique.

### DIRECTIVES DE MISE À LA TERRE

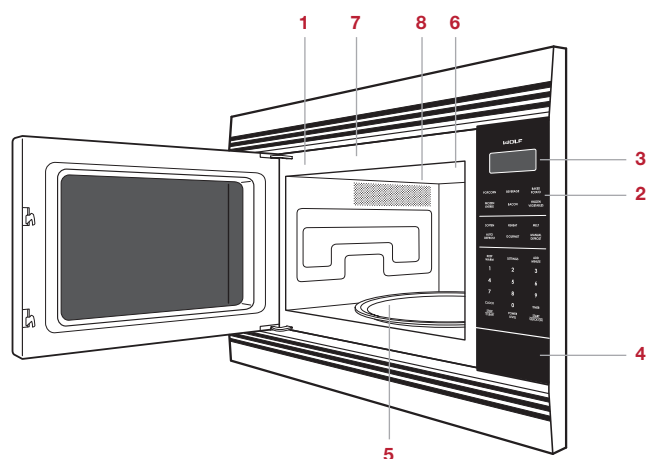
Cet appareil doit être mis à la terre. Le four à micro-ondes est muni d'un cordon avec un fil de masse avec une fiche de masse. Cette dernière doit être branchée dans une prise murale qui est adéquatement installée et mise à la terre conformément au Code national de l'électricité ainsi qu'aux ordonnances et codes locaux. Dans le cas d'un court-circuit, la mise à la terre réduit le risque de choc électrique en fournissant un fil de décharge au courant électrique.

#### ⚠ AVERTISSEMENT

Une mauvaise utilisation de la fiche de masse peut entraîner un risque d'électrocution. N'utilisez pas de rallonge électrique. Si le cordon d'alimentation est trop court, demandez à un électricien ou à un technicien de service qualifié d'installer une prise plus près de l'appareil.

## Fonctions du four à micro-ondes

CARACTÉRISTIQUE	
1	Plaque signalétique du produit
2	Panneau de commande
3	Affichage visuel interactif
4	Ouverture de la porte à un bouton
5	Plateau rotatif amovible
6	Éclairage intérieur
7	Étiquette de menu
8	Blindage du guide d'ondes



Four à micro-ondes avec garniture de la série L.

## Comment commencer

Nous savons que vous êtes impatient de commencer à cuisiner, mais avant de le faire, veuillez prendre quelques instants pour lire ce guide d'utilisation et d'entretien. Que vous soyez un cuisinier occasionnel ou un chef expert, ils vous sera bénéfique de vous familiariser avec les pratiques de sécurité, les fonctions, le fonctionnement et les recommandations d'entretien de votre four à micro-ondes.

Nettoyez le four à fond avec de l'eau chaude et un détergent doux. Rincez et séchez avec un chiffon doux pour éliminer tous les résidus d'huile et de graisse laissés par le processus de fabrication. Reportez-vous aux recommandations d'entretien à la page 20.

**REMARQUE IMPORTANTE :** Le four à micro-ondes ne peut pas être utilisé pour cuire si le plateau rotatif n'est pas en place. Ne limitez jamais le mouvement du plateau rotatif.

### Panneau de commande

Le panneau de commande comprend des commandes tactiles et un affichage visuel interactif. Reportez-vous à l'illustration ci-dessous.



Panneau de commande.

### Fonctionnement du four

#### OUVRIR LA PORTE

Pour ouvrir la porte, enfoncez la zone directement sous les touches numériques situées sur le panneau de commande.

#### CLOCK (HORLOGE)

L'heure du jour sera illuminée sur l'affichage du panneau de commande à moins que la minuterie ou d'autres fonctions d'affichage soient actives. L'horloge doit être réglée avant l'utilisation et après une panne de courant.

#### Réglage de l'horloge :

- 1 Touchez à CLOCK (horloge).
- 2 Utilisez les touches numériques pour saisir l'heure, puis touchez à CLOCK.

#### TIMER (MINUTERIE)

La minuterie peut être réglée pour une période maximale de 99 minutes et 99 secondes. Une fois la durée réglée, le décompte apparaît sur l'écran du panneau de commande. Le four retentira et le mot « END » (FIN) apparaîtra sur l'écran lorsque la période est terminée.

#### Réglage de la minuterie :

- 1 Touchez à TIMER.
- 2 Utilisez les touches numériques pour saisir la durée de la minuterie.
- 3 Touchez à TIMER pour commencer.
- 4 Touchez à STOP/CLEAR (arrêter/effacer) pour annuler.

### Fonctionnement du four

#### AJUSTEMENT DE DURÉE

La fonction ajustement de durée augmente ou diminue la durée de cuisson pour les réglages de cuisson avec capteur.

Pour ajuster la durée :

- 1 Sélectionnez le mode de cuisson avec capteur désiré, puis touchez à POWER LEVEL une fois pour « PLUS » ou deux fois pour « MOINS » avant de toucher à START/QUICK ON.

#### INDICATEUR D'AIDE

Les réglages de décongélation et de cuisson avec capteur offrent un conseil de cuisson utile. Pour voir le conseil, touchez à SETTINGS (réglages) lorsque l'indicateur AIDE apparaît sur l'affichage du panneau de commande.

#### QUICK ON (MISE EN MARCHÉ RAPIDE)

La fonction de mise en marche rapide cuit continuellement à 100 % de la puissance en touchant et en gardant enfoncée la touche START/QUICK ON (marche/mise en marche rapide) (pour faire fondre du fromage, par exemple). Le temps de cuisson maximum est de 30 secondes et il peut être répété jusqu'à 10 fois.

### Settings (réglages)

La fonction des réglages permet à l'utilisateur de sélectionner des préférences individuelles. Les préférences doivent être réinitialisées après une panne de courant.

#### VERROUILLAGE DU PANNEAU DE COMMANDE

La fonction de verrouillage du panneau de commande empêche le fonctionnement non désiré du four à micro-ondes.

Pour verrouiller :

- 1 Touchez à SETTINGS, touchez à 1, puis touchez à START/QUICK ON. Le mot « LOCK ON » (VERROUILLÉ) apparaîtra sur l'écran du panneau de commande.

Pour déverrouiller :

- 1 Touchez à SETTINGS, puis touchez à START/QUICK ON. Le mot « CHILD LOCK OFF » (DÉVERROUILLÉ) apparaîtra sur l'affichage du panneau de commande.

#### SIGNAL AUDIBLE

Un signal audible retentit lorsque chaque touche est enfoncée et lorsque la cuisson et la minuterie sont terminées.

Pour éliminer le signal :

- 1 Touchez à SETTINGS, touchez à 2, puis touchez à STOP/CLEAR. Les mots « SOUND OFF » (SON ÉTEINT) apparaîtront sur l'écran du panneau de commande.

Pour rétablir le signal :

- 1 Touchez à SETTINGS, touchez à 2, puis touchez à START/QUICK ON. Les mots « SOUND ON » (SON ACTIVÉ) apparaîtront sur l'affichage du panneau de commande.

#### SÉLECTION DE LA LANGUE/DU POIDS

Cette fonction permet à l'utilisateur de choisir une langue et la préférence en matière d'unité de poids. Les options de langue comprennent l'anglais, l'espagnol et le français. Les mesures de poids peuvent être affichées selon le système impérial (lb) ou métrique (kg).

Pour sélectionner la langue/le poids :

- 1 Touchez à SETTINGS, puis touchez à 4.
- 2 Continuez à enfoncer jusqu'à ce que la langue/le poids désirés soient affichés, puis touchez à START/QUICK ON.

### Cuisson manuelle

#### POWER LEVEL (NIVEAU DE PUISSANCE)

Le four à micro-ondes possède dix niveaux de puissance pré-réglés.

**Pour cuire manuellement à une puissance de 100 % :**

- 1 Utilisez les touches numériques pour entrer la durée de cuisson.
- 2 Touchez à START/QUICK ON.
- 3 Le four retentira et le mot « END » (FIN) apparaîtra sur l'écran du panneau de commande lorsque la période est terminée.

Pour cuire manuellement à une puissance inférieure à 100 %, touchez à POWER LEVEL, puis touchez à la touche numérique pour sélectionner le niveau de puissance désiré (comme 7 pour 70 % de la puissance).

#### CUISSON À PLUSIEURS SÉQUENCES

Le four à micro-ondes peut être programmé pour jusqu'à quatre séquences de cuisson automatiques, et passer d'un niveau de puissance à un autre automatiquement. Touchez à POWER LEVEL durant la cuisson pour afficher le niveau de puissance.

**Pour utiliser la cuisson à plusieurs séquences (par exemple, commencer à 100 %, puis passer à une puissance de 50 %) :**

- 1 Touchez à POWER LEVEL deux fois (100 % de la puissance). Utilisez les touches numériques pour saisir la durée de cuisson désirée.
- 2 Touchez à POWER LEVEL, puis touchez à 5 (50 % de la puissance). Utilisez les touches numériques pour saisir la durée de cuisson désirée.
- 3 Touchez à START/QUICK ON.

#### MISE EN MARCHE AUTOMATIQUE

Le four à micro-ondes peut être programmé à commencer à cuire automatiquement à une heure du jour choisie. L'horloge doit être réglée à la bonne heure pour que la mise en marche automatique fonctionne correctement.

**Pour utiliser la mise en marche automatique :**

- 1 Touchez à SETTINGS, puis touchez à 3 pour la mise en marche automatique.
- 2 Utilisez les touches numériques pour entrer l'heure de début de la cuisson.
- 3 Touchez à CLOCK.
- 4 Utilisez les touches numériques pour entrer la durée de cuisson. Réglez le niveau de puissance si nécessaire.
- 5 Touchez à START/QUICK ON. L'heure de la mise en marche automatique apparaît sur l'affichage du panneau de commande. Touchez à CLOCK pour voir l'heure du jour.

### Modes de cuisson

#### POPCORN (MAÏS À ÉCLATER)

La fonction maïs soufflé à capteur prépare le maïs soufflé pour micro-ondes. N'utilisez que du maïs soufflé emballé pour les fours à micro-ondes.

Pour utiliser la fonction maïs à éclater :

- 1 Touchez à POPCORN.
- 2 Touchez à START/QUICK ON.

#### BEVERAGE (BOISSONS)

La fonction boissons réchauffera une boisson ou préparera de l'eau chaude pour du café ou du thé.

Pour utiliser la fonction boissons :

- 1 Touchez à BEVERAGE.
- 2 Pour réchauffer une boisson : touchez à 1 plusieurs fois pour sélectionner la quantité dans des incréments de 1/2 tasse, jusqu'à 2 tasses.

Pour de l'eau chaude : touchez à 2 plusieurs fois pour sélectionner la quantité dans des incréments d'une tasse, jusqu'à 6 tasses.

- 3 Touchez à START/QUICK ON.

#### BAKED POTATO (POMME DE TERRE AU FOUR)

La fonction à capteur pour pomme de terre au four permet de cuire une pomme de terre au four.

Pour utiliser la fonction pomme de terre au four :

- 1 Touchez à BAKED POTATO.
- 2 Touchez à START/QUICK ON.

#### FROZEN ENTREE (REPAS SURGELÉ)

La fonction à capteur pour repas surgelé permet de cuire un repas surgelé.

Pour utiliser la fonction repas surgelé :

- 1 Touchez à FROZEN ENTREE.
- 2 Touchez à START/QUICK ON.

#### BACON

La fonction bacon permet de cuire jusqu'à six tranches de bacon.

Pour utiliser la fonction bacon :

- 1 Touchez à BACON, puis sélectionnez le nombre de tranches.
- 2 Touchez à START/QUICK ON.

#### FROZEN VEGETABLES (LÉGUMES SURGELÉS)

La fonction à capteur pour légumes surgelés permet de cuire des légumes surgelés.

Pour utiliser la fonction légumes surgelés :

- 1 Touchez à FROZEN VEGETABLES.
- 2 Touchez à START/QUICK ON.

#### SOFTEN (RAMOLLIR)

La fonction ramollir ramollira la crème glacée ou le fromage en crème.

Pour utiliser la fonction ramollir :

- 1 Touchez à SOFTEN.
- 2 Pour la crème glacée : touchez à 1 une fois pour 1 pinte ou deux fois pour 1/2 gallon.  
Pour le fromage en crème : touchez à 2 une fois pour 3 onces ou deux fois pour 8 onces.
- 3 Touchez à START/QUICK ON.

#### REHEAT (RÉCHAUFFER)

La fonction réchauffer avec capteur détecte l'humidité des aliments pendant qu'elle les réchauffe et ajuste automatiquement la durée et le niveau de puissance.

Pour utiliser la fonction réchauffer :

- 1 Touchez à REHEAT.
- 2 Touchez à START/QUICK ON.

### Modes de cuisson

#### MELT (FONDRE)

La fonction fondre fera fondre du beurre ou du chocolat.

Pour utiliser la fonction fondre :

- 1 Touchez à MELT.
- 2 Pour le beurre : touchez à 1 une fois pour 2 cuillères à soupe ou deux fois pour  $\frac{1}{2}$  tasse.  
Pour le chocolat : touchez à 2 une fois pour une tasse ou deux fois pour une once.
- 3 Touchez à START/QUICK ON.

#### KEEP WARM (GARDER AU CHAUD)

La fonction garder au chaud gardera les aliments chauds pendant une période pouvant atteindre 90 minutes.

Pour utiliser la fonction garder au chaud :

- 1 Touchez à KEEP WARM.
- 2 Utilisez les touches numériques pour entrer la durée pendant laquelle vous désirez garder les aliments au chaud.
- 3 Touchez à START/QUICK ON.

#### ADD MINUTE (AJOUTER UNE MINUTE)

La fonction ajouter une minute cuit pendant une minute à 100 % en enfonçant la touche ADD MINUTE. Enfoncez-la plusieurs fois pour augmenter le temps de cuisson. Chaque appui augmente la durée d'une minute. Cette fonction ne peut pas être utilisée avec la fonction décongélation ou Gourmet.

### Décongélation

#### AUTO DEFROST (DÉCONGÉLATION AUTOMATIQUE)

La fonction décongélation automatique utilise des réglages pré-réglés pour décongeler certains aliments. Reportez-vous au guide de décongélation automatique à la page 13. Pour les aliments qui ne sont pas indiqués, reportez-vous à la décongélation manuelle.

Pour sélectionner décongélation automatique :

- 1 Touchez à AUTO DEFROST, puis utilisez les touches numériques pour sélectionner l'aliment désiré (3 pour des morceaux de poulet, par exemple).
- 2 Utilisez les touches numériques pour entrer le poids.
- 3 Touchez à START/QUICK ON. Après une période de temps, le four à micro-ondes s'arrête afin de vérifier les aliments.
- 4 Ouvrez la porte et retournez l'aliment.
- 5 Répétez jusqu'à ce que la décongélation soit complète.

#### MANUAL DEFROST (DÉCONGÉLATION MANUELLE)

La fonction décongélation manuelle décongèle automatiquement à une puissance de 30 %. Les aliments doivent être retournés tout au long du processus pour assurer une décongélation uniforme. Pour décongeler à un autre niveau de puissance, reportez-vous aux niveaux de puissance à la page 10.

Pour décongeler manuellement :

- 1 Touchez à MANUAL DEFROST.
- 2 Utilisez les touches numériques pour entrer la durée désirée.
- 3 Touchez à START/QUICK ON.



## Guide de décongélation automatique

NUMÉRO	ALIMENT	QUANTITÉ	MÉTHODE
1	Viande hachée	$1/2$ –2 lb (230 g–1,1 kg)	Retirez tout morceau décongelé après chaque signal audible. Laissez reposer pendant cinq à dix minutes, couvert.
2	Steaks, côtelettes ou poisson	$1/2$ –3 lb (230 g–1,4 kg)	Après chaque signal audible, déplacez les aliments. S'il y a des parties chaudes ou décongelées, protégez-les avec de petits morceaux de papier d'aluminium. Retirez toute viande qui est presque décongelée. Laissez reposer pendant 10 à 20 minutes, couvert.
3	Morceaux de poulet	$1/2$ –2 lb (230 g–1,1 kg)	Après chaque signal audible, déplacez les pièces ou retirez celles qui sont chaudes ou décongelées. Laissez reposer pendant 10 à 20 minutes, couvert.
4	Rôti	2–4 lb (1,1–1,8 kg)	Commencez la décongélation avec le côté gras vers le bas. Après chaque signal audible, retournez et protégez les zones chaudes avec du papier d'aluminium. Laissez reposer pendant 30 à 60 minutes, couvert.
5	Ragoût ou soupe	1–6 tasse(s) (240 ml–1,4 l)	Après chaque signal audible, séparez et retirez toute partie décongelée. À la fin, remuez à fond et laissez reposer pendant cinq à dix minutes, couvert.

## Gourmet

La fonction Gourmet détecte l'humidité des aliments pendant la cuisson et ajuste automatiquement la durée et le niveau de puissance. Les légumes frais et la volaille ont deux options. Suivez les directives sur l'écran du panneau de commande pour sélectionner l'option désirée.

### Pour sélectionner Gourmet :

- 1 Touchez à GOURMET, puis utilisez les touches numériques pour sélectionner Recettes, Petit déjeuner, Déjeuner ou Dîner.
- 2 Utilisez les touches numériques pour sélectionner la recette/l'aliment désirés.
- 3 Touchez à START/QUICK ON.

## Recettes

### 1 SANDWICHES ROULÉS AU ROSBIF

Placez dans une cocotte de 2 pintes (2 l) :  
1 lb (0,5 kg) de bœuf haché

Défaites la viande et couvrez. Touchez à RECETTES, au chiffre 1 pour sélectionner Sandwiches roulés au rosbif, puis touchez à START/QUICK ON.

Au moment de la pause, égouttez le gras et brisez le bœuf haché en petits morceaux. Ajoutez :

Un paquet de 10 oz (285 g) d'épinards hachés surgelés, décongelés et égouttés

1<sup>1</sup>/<sub>2</sub> tasse (360 ml) de salsa

1 à 3 c. à soupe (5 à 15 ml) de poudre de chili

Mélangez les ingrédients ensemble. Couvrez. Touchez à START/QUICK ON.

À la fin, mélangez et placez dans huit tortillas au maïs réchauffées. Garnissez d'une tasse (90 g) de fromage cheddar râpé.

Donne six portions.

### 2 POULET MEXICAIN

Placez en couches dans une cocotte de 3 pintes (3 l) :

2 tasses (230 g) de riz instantané

1 tasse (240 ml) de sauce à fajita préparée mélangée avec

1/2 tasse (120 ml) de bouillon de poulet

2 paquets de 10 oz (285 g) de mélange d'assaisonnement surgelé (oignon, piments, persil et céleri)

1 lb (0,5 kg) de poitrine de poulet désossée coupée en bandes minces de 1 po (25)

Couvrez. Touchez à RECETTES, au chiffre 2 pour sélectionner Poulet mexicain et touchez à START/QUICK ON.

Au moment de la pause, mélangez ensemble en vous assurant que les bandes de poulet sont séparées et mélangées dans le riz et la sauce. Couvrez. Touchez à START/QUICK ON.

À la fin, remuez. Servez avec des haricots verts au beurre et des tortillas grillées.

Donne six portions.

## Recettes

### 3 SALADE ITALIENNE

Pour faire cuire les pâtes, placez dans une cocotte de 3 pintes (3 l) :  
6 tasses (1,4 l) d'eau du robinet très chaude

Couvrez. Touchez à RECETTES, au chiffre 3 pour sélectionner **Salade italienne** et touchez à START/QUICK ON.

Au moment de la pause, ajoutez :

8 oz (230 g) de pâtes rotini ou fusilli trois couleurs  
1 c. à thé (5 ml) d'huile

Ne couvrez pas. Touchez à START/QUICK ON. À la fin, égouttez les pâtes et mettez de côté.

Pour faire cuire le poulet, placez dans une assiette à tarte graissée de 9 po (229) :

1 lb (0,5 kg) de poitrine de poulet désossée, coupée dans des bandes minces de 1 po (25)

Couvrez. Touchez à START/QUICK ON. Au moment de la pause, réorganisez en déplaçant les pièces moins cuites vers l'extérieur de l'assiette. Couvrez. Touchez à START/QUICK ON. À la fin, égouttez et mettez de côté.

Pour préparer la salade, placez dans un grand bol à salade :

Les pâtes rotini ou fusilli cuites  
La poitrine de poulet cuite  
2 tomates, coupées en huit morceaux chacune  
1/2 tasse (75 g) d'olives noires tranchées  
1 tasse (90 g) de fromage mozzarella râpé  
1/4 tasse (40 g) d'oignon rouge, haché  
3/4–1 tasse (180–240 ml) de vinaigrette de type à l'huile et au vinaigre avec pesto

Mélangez ensemble pour enrober tous les morceaux. Servez immédiatement ou réfrigérez pour servir plus tard. Idéale lorsqu'elle est servie avec des petits pains croustillants et chauds.

Donne six portions.

### 4 MACARONI AU THON

Pour faire cuire les macaronis, placez dans une cocotte de 3 pintes (3 l) :

6 tasses (1,4 l) d'eau du robinet très chaude

Couvrez. Touchez à RECETTES, au chiffre 4 pour sélectionner **Macaroni au thon**, puis touchez à START/QUICK ON.

Au moment de la pause, ajoutez :

2 tasses (280 g) de pâtes alimentaires en forme de coude  
1 c. à thé (5 ml) d'huile

Ne couvrez pas. Touchez à START/QUICK ON. À la fin, égouttez les macaronis et mettez de côté dans la cocotte.

Combinez dans un bol :

Une boîte de 10<sup>3</sup>/<sub>4</sub> oz (305 g) de soupe de crème de céleri  
1/2 tasse (120 ml) de lait  
1/2 tasse (120 ml) de crème sure sans gras

Ajoutez aux macaronis dans la cocotte :

Le mélange de soupe, lait et crème sure  
Une boîte de 6<sup>1</sup>/<sub>2</sub>oz (185 g) de thon pâle entier, égoutté et émietté  
1 tasse (150 g) de petits pois surgelés  
1 tasse (90 g) de fromage cheddar râpé  
Sel et poivre au goût

Mélangez ensemble jusqu'à l'obtention d'un mélange homogène. Couvrez. Touchez à START/QUICK ON.

À la fin, remuez à nouveau. Servez avec des bâtonnets de carottes fraîches, une salade verte et des petits pains.

Donne six portions.

### 5 MÉLANGE DU JARDIN

Placez dans une cocotte de 2<sup>1</sup>/<sub>2</sub> pintes (2,5 l) :

1 lb (0,5 kg) de pommes de terre au four pelées, coupées en huit et tranchées finement

Une boîte de 14<sup>1</sup>/<sub>2</sub> oz (410 g) de tomates en cubes  
2 c. à thé (10 ml) d'ail haché  
1 c. à thé (5 ml) de feuilles de thym

Couvrez avec un couvercle. Touchez à RECETTES, au chiffre 5 pour sélectionner **Mélange du jardin** et touchez à START/QUICK ON.

Au moment de la pause, mélangez et ajoutez :

Un paquet de 16 oz (455 g) de légumes mélangés à sauter surgelés  
2 tasses (300 g) de courges d'été tranchées finement

Couvrez. Touchez à START/QUICK ON.

À la fin, saupoudrez avec une tasse (90 g) de fromage cheddar râpé. Servez avec une salade d'épinards et du melon réfrigéré.

Donne six portions.

## Petit déjeuner

NUMÉRO	ALIMENT	QUANTITÉ	MÉTHODE
1	Œufs brouillés	1–9 œufs	Pour chaque œuf, utilisez une cuiller à thé (5 ml) de beurre ou de margarine et 1 cuiller à soupe (15 ml) de lait. Placez le beurre dans une assiette assez grande pour permettre à l'œuf de s'élargir. Mélangez l'œuf et le lait ensemble. Versez sur le beurre dans l'assiette. Placez dans le four et programmez. Lorsque vous entendrez la sonnerie, remuez le mélange d'œuf en déplaçant la partie cuite vers le centre du plat et la partie non cuite vers l'extérieur. Après la cuisson, mélangez et laissez reposer, couvert, jusqu'à ce que le tout prenne (les œufs ne seront pas tout à fait cuits lorsque vous les retirerez du four).
2	Céréales chaudes	1–6 portions	Utilisez des sachets individuels ou des céréales chaudes ou du gruau en vrac. Suivez les directives de l'emballage pour connaître la quantité appropriée d'eau ou de lait à utiliser. Pour éviter les renversements par ébullition, choisissez un gros contenant. Si le four s'arrête, remuez et touchez à START/QUICK ON. Après la cuisson, mélangez et laissez reposer pendant deux minutes, couvert.
3	Petits pains et muffins	Frais 1–10 articles Surgelés 1–10 articles	Utilisez pour réchauffer les petits pains, les muffins, les biscuits à la poudre levante, les bagels, etc. Les articles plus gros doivent être considérés comme deux ou trois articles de taille normale. Placez sur une assiette et couvrez avec une serviette en papier.  Pour réchauffer des petits pains et des muffins frais, touchez à PETIT DÉJEUNER et 3, puis touchez à 1. Entrez la quantité et touchez à START/QUICK ON. Pour les petits pains et les muffins réfrigérés, il pourra s'avérer nécessaire de doubler la quantité pour obtenir la bonne température de service.  Pour les petits pains et les muffins congelés, touchez à PETIT DÉJEUNER et 3, puis touchez à 2. Entrez la quantité et touchez à START/QUICK ON.
4	Aliments congelés pour le petit déjeuner	3–6 oz (85–170 g)	Utilisez pour les petits déjeuners, les crêpes, les gaufres, les burritos, etc. congelés. Suivez les directives sur l'emballage. Il n'est pas nécessaire d'entrer la quantité. Après la cuisson, laissez reposer pendant une à deux minutes.

## Déjeuner

NUMÉRO	ALIMENT	QUANTITÉ	MÉTHODE
1	Repas dans une tasse	1 tasse (240 ml)	Utilisez pour les portions individuelles d'aliments en conserve emballés dans un petit contenant de 8 oz (240 ml) sans danger pour le micro-ondes. Retirez le couvercle métallique intérieur et remplacez le couvercle pour micro-ondes extérieur. Après la cuisson, remuez et laissez reposer pendant une à deux minutes.
2	Saucisses à hot dog dans un pain	1-4 articles	Placez la saucisse à hot dog dans un pain. Enveloppez chacun d'une serviette en papier.
3	Soupe	1-8 tasses (240 ml-1,9 l)	Placez dans un bol ou une cocotte. Couvrez avec un couvercle ou du film étirable éventé. À la fin, remuez et laissez reposer pendant une à trois minutes, couvert.
4	Pizza au micro-ondes	6-8 oz (170-230 g)	À utiliser pour les pizzas congelées pour micro-ondes. Suivez les directives sur l'emballage. Il n'est pas nécessaire d'entrer la quantité.
5	Sandwich congelé	3-6 oz (85-170 g)	À utiliser pour les sandwichs congelés pour micro-ondes. Suivez les directives sur l'emballage. Il n'est pas nécessaire d'entrer la quantité.

## Dîner

### 1 POULET À LA SAUCE

Placez dans une cocotte de 3 pintes (3 l) :  
1 c. à soupe (15 ml) d'huile  
1/2 lb (230 g) de champignons, tranchés  
1 oignon, haché  
1 c. à soupe (15 ml) d'ail haché

Remuez et couvrez. Touchez à DÎNER et 1 pour sélectionner **Poulet à la sauce**, puis touchez à START/QUICK ON.

Mélangez ensemble :

Un paquet de 8 oz (230 g) de fromage en crème allégé, amolli  
1/4 tasse (60 ml) de lait

Incorporez dans le mélange au fromage à la crème :

Un paquet de 10 oz (285 g) de petits pois surgelés  
2 tasses (450 g) de poitrine de poulet cuite tranchée mince  
Sel et poivre au goût

Au moment de la pause, égouttez le liquide des champignons, etc. Ajoutez le fromage à la crème, les petits pois et le mélange de poulet et mélangez ensemble. Couvrez. Touchez à START/QUICK ON.

À la fin, incorporez 1 tasse (90 g) de fromage Monterey Jack râpé. Servez sur des pommes de terre au four ou des pâtes cuites.

Donne six portions.

### 2 PORC HAWAÏEN

Placez dans une cocotte de 3 pintes (3 l) :  
1 c. à soupe (15 ml) d'huile  
1 lb (0,5 kg) de longe de porc désossé, coupée dans des bandelettes de 1 po (25), assaisonnée de sel et de poivre

Remuez et couvrez. Touchez à DÎNER et 2 pour sélectionner **Porc hawaïen**, puis touchez à START/QUICK ON.

Mélangez bien dans un grand bol :

1 tasse (240 g) de conserves aux pêches ou aux abricots  
1/4 tasse (60 ml) de sauce barbecue  
2 c. à soupe (30 ml) de sauce soja  
2 c. à soupe (30 ml) d'amidon de maïs  
1 tasse (150 g) d'oignons finement hachés

Au moment de la pause, ajoutez le mélange de conserve et mélangez ensemble. Couvrez. Touchez à START/QUICK ON.

Au moment de la pause, ajoutez :

Une boîte de 8 oz (230 g) de châtaignes d'eau tranchées, égouttées  
1 poivron vert, épépiné et coupé en bandes minces de 2 po (51)  
1 piment de Cayenne, épépiné et coupé en bandes minces de 2 po (51)  
Une boîte de 20 oz (565 g) de morceaux d'ananas, égouttés

Mélangez pour combiner les ingrédients. Couvrez. Touchez à START/QUICK ON.

À la fin, remuez à nouveau. Servez sur un nid de riz.

Donne six portions.

## Dîner

### 3 CHILI FIESTA

Placez dans une cocotte de 3 pintes (3 l) :  
 1 1/4 lb (0,6 kg) de dinde hachée  
 1/2 tasse (75 g) d'oignons en cubes  
 1/2 tasse (75 g) de piment de Cayenne en cubes

Séparez la dinde et ajoutez les oignons et le piment de Cayenne en les mélangeant. Couvrez. Touchez à DÎNER, au chiffre 3 pour sélectionner **Chili Fiesta** et touchez à START/QUICK ON.

Au moment de la pause, égouttez et ajoutez :  
 8 oz (230 g) de salsa gros morceaux  
 Une boîte de 11 oz (310 g) de maïs mexicain, égoutté  
 Une boîte de 15 oz (425 g) de chili avec fèves  
 1 à 3 c. à thé (5 à 15 ml) de poudre de chili  
 Mélangez les ingrédients ensemble. Couvrez. Touchez à START/QUICK ON.

À la fin, remuez à fond. Servez sur un nid de riz ou des nachos. Garnissez de 2 tasses (180 g) de fromage Monterey Jack ou de fromage cheddar râpé.

Donne six portions.

### 4 SAUMAU GLACÉ

Combinez :  
 1/4 tasse (60 ml) de jus d'orange concentré  
 2 c. à soupe (30 ml) de moutarde au miel  
 1 c. à soupe (15 ml) de gingembre frais râpé ou 2 c. à thé (10 ml) de gingembre moulu

Placez dans une cocotte en verre de 7 x 11 po (178 x 279) :  
 1 1/2 lb (0,7 kg) de filet de saumon

Versez un filet de la moitié du mélange d'orange sur le saumon. Couvrez avec du film étirable. Touchez à DÎNER et au chiffre 4 pour sélectionner **Saumon glacé**, puis touchez à START/QUICK ON.

Au moment de la pause, placez autour du rebord du saumon :  
 3 tasses (450 g) de bouquets de brocoli  
 1 piment de Cayenne, coupé en bandes minces

Versez un filet du reste du mélange d'orange sur les légumes. Garnissez de 2 c. à soupe (30 ml) de graines de sésame grillées. Touchez à START/QUICK ON.

À la fin, laissez reposer pendant trois à cinq minutes, couvert. Servez avec du riz au beurre, des pâtes ou des pommes de terre garnies de persil.

Donne six portions.

### 5 FRITTATA SANTÉ

Placez dans une assiette à tarte graissée de 9 po (229) :  
 1/2 lb (230 g) de champignons, tranchés  
 3/4 tasse (110 g) d'oignon haché  
 1 c. à soupe (15 ml) d'ail haché  
 1/4 lb (115 g) de saucisse fumée allégée coupée en morceaux  
 Couvrez avec du film étirable. Touchez à DÎNER, au chiffre 5 pour sélectionner **Frittata santé**, puis touchez à START/QUICK ON.

Au moment de la pause, égouttez et mettez de côté.

Dans un bol moyen, combinez et mélangez ensemble :  
 3 gros œufs  
 1/2 tasse (120 ml) de crème sure sans gras  
 1 c. à soupe (15 ml) de moutarde de Dijon  
 1/2 c. à thé (2 ml) de sel  
 1/8 c. à thé (0,5 ml) de poivre

Ajoutez et mélangez ensemble :  
 5 oz (140 g) d'épinards surgelés en morceaux, décongelés et comprimés pour les sécher  
 1 tasse (90 g) de fromage suisse râpé

Versez le mélange dans un bol sur le mélange de champignons, d'oignon et de saucisse. Mélangez soigneusement ensemble. Ne couvrez pas. Touchez à START/QUICK ON.

À la fin, retirez le plat du four et laissez reposer pendant trois à cinq minutes. Servez avec une salade verte et des tranches de tomates pour le brunch.

Donne six portions.

## Conseils d'entretien

NETTOYAGE	
Acier inoxydable	Utilisez un nettoyant non abrasif pour l'acier inoxydable et appliquez-le avec un chiffon doux non pelucheux. Pour faire ressortir le lustre naturel, essuyez légèrement la surface avec un chiffon en microfibras humecté d'eau suivi d'un chamois à polir sec. Suivez toujours le grain de l'acier inoxydable.
Devant de la porte	Pulvérisez du nettoyant à vitre sur un chiffon propre.
Panneau de commande	Utilisez un dégraissant pulvérisé pour éliminer les empreintes de doigts et les taches de nourriture. Pulvérisez sur un chiffon avant d'essuyer le panneau. <b>REMARQUE IMPORTANTE</b> : ne pulvérisez pas les produits à nettoyer directement sur le panneau de commande. Pour verrouiller le panneau de commande avant de le nettoyer, reportez-vous à la page 9.
Intérieur	Essuyez avec un chiffon doux et humide. N'utilisez pas de nettoyants abrasifs ou puissants ou de tampons à récurer. Pour la saleté plus tenace, utilisez du bicarbonate de soude ou un savon doux; rincez à fond avec de l'eau chaude. N'utilisez pas de produits chimiques à nettoyer les fours.
Plateau rotatif	Retirez pour le nettoyer. Lavez à l'eau avec un savon doux. Pour les taches rebelles, utilisez un nettoyant doux et une éponge à récurer non abrasive. Le plateau rotatif peut être lavé dans le lave-vaisselle.
Blindage du guide d'ondes	Le blindage du guide d'ondes est situé sur la partie supérieure intérieure de l'intérieur du micro-ondes. Essuyez soigneusement avec un chiffon doux et humide. Ne retirez pas le blindage du guide d'ondes.



### Dépannage

**Le four à micro-ondes ne fonctionne pas.**

- Assurez-vous qu'il y ait du courant.
- Vérifiez l'alimentation électrique vers l'unité et assurez-vous que le disjoncteur est en marche.

**Les aliments dans le four à micro-ondes ne chauffent pas.**

- Vérifiez les commandes pour vous assurez que le bon réglage soit utilisé.

**La lumière intérieure ne fonctionne pas.**

- L'ampoule est lâche ou grillée. Communiquez avec le centre de service Wolf certifié par l'usine.

**Les commandes tactiles ne fonctionnent pas.**

- Le panneau de commande est verrouillé. Reportez-vous à la page 9 pour le déverrouiller.

**L'affichage clignote.**

- Panne de courant. Touchez à STOP/CLEAR et réinitialisez l'horloge. Si le four à micro-ondes était utilisé, réinitialisez la fonction de cuisson.

**Interférence radio ou télé causée par le four à micro-ondes.**

- Assurez-vous que le four à micro-ondes se trouve sur un circuit électrique différent, déplacez la radio ou le téléviseur aussi loin du four à micro-ondes que possible ou vérifiez sa position et le signal de l'antenne.

### Service

- Préservez la qualité intégrée dans votre produit en communiquant avec un service Wolf certifié par l'usine. Pour obtenir le nom du centre de service Wolf certifié par l'usine le plus près de chez vous, consultez la section Contact et assistance de notre site Web, [wolfappliance.com](http://wolfappliance.com) ou appelez le service à la clientèle de Wolf au 800-222-7820.
- Avant d'appeler pour obtenir du service, ayez en main les numéros de modèle et de série de votre produit. Les deux numéros sont indiqués sur la plaque signalétique du produit. Reportez-vous à la page 6 pour connaître l'emplacement de la plaque signalétique.
- Pour les besoins de la garantie, vous devrez aussi avoir la date d'installation et le nom de votre dépositaire Wolf autorisé. Ces renseignements doivent être notés à la page 2 de ce guide.

Wolf, Wolf & Design, Wolf Gourmet, W & Design et la couleur rouge qui est appliquée aux boutons sont des marques déposées et des marques de service de Wolf Appliance, Inc. Sub-Zero, Sub-Zero & Design, Dual Refrigeration, Constant Care, The Living Kitchen, Great American Kitchens The Fine Art of Kitchen Design et Ingredients sont des marques déposées et des marques de service de Sub-Zero, Inc. (collectivement, les « marques de l'Entreprise »). Toutes les autres marques de commerce ou déposées appartiennent à leurs propriétaires respectifs aux États-Unis et dans d'autres pays.

## Garantie limitée résidentielle Wolf Appliance

POUR UTILISATION RÉSIDENTIELLE

### GARANTIE COMPLÈTE DE DEUX ANS\*

Pendant deux ans à compter de la date d'installation originale, cette garantie de produit Wolf Appliance couvre toutes les pièces et la main d'œuvre pour réparer ou remplacer, selon un usage résidentiel normal, toute partie du produit qui s'avèrerait défectueuse en vertu des matériaux ou de la fabrication. Tout service fourni par Wolf Appliance en vertu de la garantie ci-dessus doit être effectué par un centre de service Wolf certifié par l'usine, à moins d'indication contraire de la part de Wolf Appliance, Inc. Le service sera fourni pendant les heures normales d'affaires.

### GARANTIE LIMITÉE DE CINQ ANS

Pendant cinq ans à compter de la date originale d'installation, Wolf Appliance réparera les pièces suivantes qui s'avèreront défectueuses en vertu des matériaux ou de la fabrication : les brûleurs au gaz (sauf l'apparence) les éléments de chauffage électrique, les moteurs de soufflerie (hottes de ventilation), les circuits de contrôle électronique, les tubes magnétrons et les génératrices à induction. Si le propriétaire utilise le service Wolf certifié en usine, le fournisseur de service réparera ou remplacera ces pièces et le propriétaire paiera pour tous les autres frais, y compris la main d'œuvre. Si le propriétaire utilise un service non certifié, il doit communiquer avec Wolf Appliance, Inc. (avec les renseignements ci-dessous) pour obtenir des pièces réparées ou de rechange. Wolf Appliance ne remboursera pas le propriétaire pour les pièces achetées d'un service non certifié ou d'autres sources.

### CONDITIONS S'APPLIQUANT À CHAQUE GARANTIE

La garantie s'applique uniquement aux produits installés pour un usage résidentiel normal. La garantie s'applique seulement aux produits installés dans l'un des cinquante états des États-Unis, dans le District of Columbia ou les dix provinces du Canada. Cette garantie ne couvre pas les pièces ou la main d'œuvre pour corriger tout défaut causé par de la négligence, un accident ou une utilisation, un entretien, une installation, un service ou une réparation inappropriés.

**LES REMÈDES DÉCRITS CI-DESSUS POUR CHAQUE GARANTIE SONT LES SEULS QUI SONT OFFERTS PAR WOLF APPLIANCE, INC. EN VERTU DE CETTE GARANTIE OU EN VERTU DE TOUTE GARANTIE DÉCOULANT DE L'OPÉRATION DE LA LOI. WOLF APPLIANCE, INC. NE SERA PAS RESPONSABLE DES DOMMAGES INDIRECTS OU CONSÉCUTIFS DÉCOULANT DE LA VIOLATION DE CETTE GARANTIE OU DE TOUTE GARANTIE, EXPRESSE OU IMPLICITE OU LÉGALE.**

Certaines provinces ne permettent pas l'exclusion ou la restriction des dommages indirects ou consécutifs, par conséquent, la limite ou l'exclusion ci-dessus peut ne pas s'appliquer à votre cas. Cette garantie vous confère des droits légaux précis et vous pouvez aussi avoir d'autres droits légaux qui peuvent varier d'une province à l'autre.

Pour obtenir des pièces et/ou du service et le nom du centre de service Wolf certifié par l'usine le plus près de chez vous, communiquez avec Wolf Appliance, Inc. P.O. Box 44848, Madison, WI 53744 É.-U.; vérifiez la section Contact et assistance de notre site Web, [wolfappliance.com](http://wolfappliance.com), envoyez-nous un courriel à [customerservice@subzero.com](mailto:customerservice@subzero.com) ou composez le 800-222-7820.

\*L'acier inoxydable (les portes, les panneaux, les poignées, les cadres et les surfaces intérieures) est couvert par une garantie limitée de 60 jours sur les pièces et la main d'œuvre pour toute défectuosité cosmétique.

\*Les filtres de rechange pour les trousse de recirculation de hotte ne sont pas couverts par la garantie du produit.





WOLF APPLIANCE, INC. P.O. BOX 44848 MADISON, WI 53744 WOLFAPPLIANCE.COM 800.222.7820

824463 REV-A

9/2013

