

30" Electric Cooktop

800 Series – Black Frameless NET8069UC



NET8069UC
Black

Also available in:

Black with Stainless Steel Frame

NET8069SUC

The 800 Series electric cooktop is sleek in design, and features SpeedBoost® which adds even more power to speed up the cooking process.

Features & Benefits

Bridge element accommodates oblong pans and many diameters of cookware.

The smooth ceramic glass surface makes cooking and cleaning especially easy.

SpeedBoost® offers shorter heat-up times for liquids.

PreciseSelect® offers 17 different direct cooking level settings.

Element Performance

Power of Front Left heating element	1,800 W
Power of Back Left heating element	1,800 W
Power of Back Right heating element	3,600 / 1,400 W
Power of Front Right heating element	1,200 W

Element Size

Dimension of Front Left heating element	7"
Dimension of Back Left heating element	7"
Dimension of Back Right heating element	9", 6"
Dimension of Front Right heating element	6"

Technical Details

Watts	8,300 W
Circuit breaker	40 A
Volts	208-240 V
Frequency	60 Hz
Plug type	No plug
Energy source	Electric

Dimensions & Weight

Overall appliance dimensions (HxWxD)	4" x 31" x 21 1/4"
Required cutout size (HxWxD)	4" x 28 7/8" x 20"
Minimum distance from counter front	2 1/4"
Minimum distance from rear wall	2"
Net weight	27 lbs



Accessories: To purchase Bosch accessories, cleaners & parts please visit www.bosch-home.com/us/store or call 1-800-944-2904 (Mon to Fri 5 am to 6 pm PST, Sat 6 am to 3 pm PST).

Notes: All height, width and depth dimensions are shown in inches. BSH reserves the absolute and unrestricted right to change product materials and specifications, at any time, without notice. Consult the product's installation instructions for final dimensional data and other details prior to making cutout.

Warranties: Please see Use & Care manual or Bosch website for statement of limited warranty.

For more information on our entire line of products, go to www.bosch-home.com/us or call 1-800-944-2904

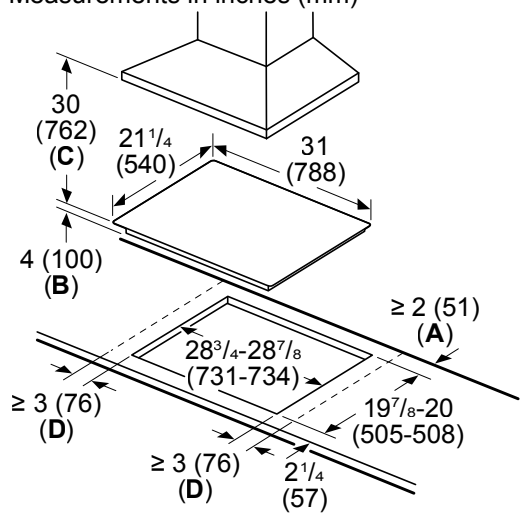
© BSH Home Appliances Corporation. All rights reserved. Bosch is a registered trademark of Robert Bosch GmbH.

30" Electric Cooktop

800 Series – Black Frameless NET8069UC

Installation Details

Measurements in inches (mm)



A: Min. distance from the cooktop cut-out to the wall

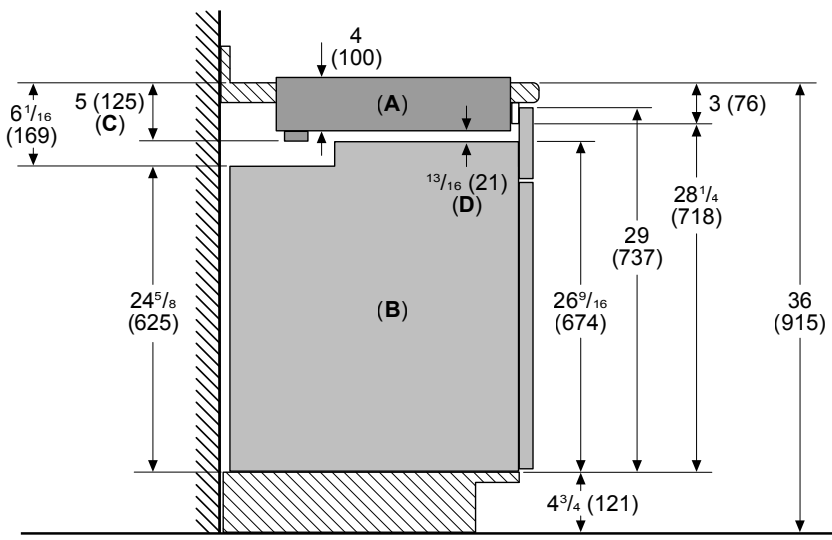
B: Max. recessed depth

C: Min. distance between the surface of the cooktop and the underside of the ventilation hood
This distance can be smaller, check installation instructions of ventilation hood

D: Min. distance from the cooktop cut-out to the side wall

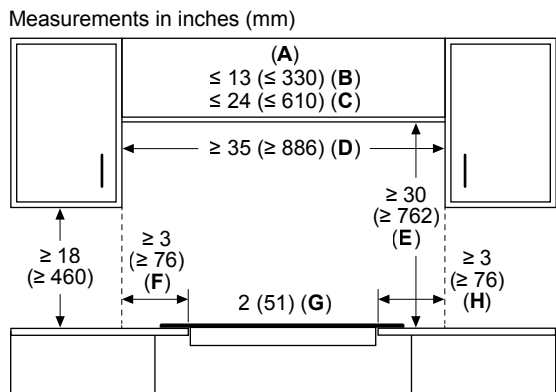
Installation above Wall Ovens

Measurements in inches (mm)
30" (762 mm) Built-in oven – under electric cooktop



A: Cooktop
B: Built-in oven
C: Cooktop conduit fitting
D: Dimensions based on standard countertop height: 36" (914 mm) with 4 3/4" (121 mm) toe kick including base plate
The built-in oven can be installed below the electric cooktop as long as there is no contact between the bottom of the cooktop and the top of the oven

Measurements in inches (mm)



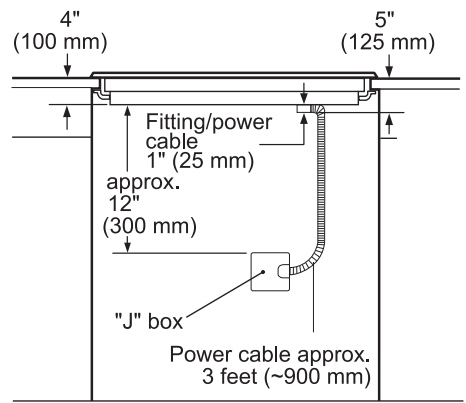
A: Depth from back wall

B: Cabinet
C: Hood depth

D: Combustible surface centered over cooktop

E: Above counter to combustible surface

F: Left side
G: Rear wall
H: Right side



measurement in inches (mm)

Accessories: To purchase Bosch accessories, cleaners & parts please visit www.bosch-home.com/us/store or call 1-800-944-2904 (Mon to Fri 5 am to 6 pm PST, Sat 6 am to 3 pm PST).

Notes: All height, width and depth dimensions are shown in inches. BSH reserves the absolute and unrestricted right to change product materials and specifications, at any time, without notice. Consult the product's installation instructions for final dimensional data and other details prior to making cutout.

Warranties: Please see Use & Care manual or Bosch website for statement of limited warranty.

For more information on our entire line of products, go to www.bosch-home.com/us or call 1-800-944-2904

© BSH Home Appliances Corporation. All rights reserved. Bosch is a registered trademark of Robert Bosch GmbH.