

USE AND CARE GUIDE



Built-in MicroDrawer™

USE AND CARE GUIDE

MODEL:
MD24JS

Built-in MicroDrawer™

Table of Contents

CUSTOMER ASSISTANCE	3
PRECAUTIONS TO AVOID POSSIBLE EXPOSURE TO EXCESSIVE MICROWAVE ENERGY	3
IMPORTANT SAFETY INSTRUCTIONS	4
INFORMATION YOU NEED TO KNOW	5
ABOUT UNPACKING AND EXAMINING YOUR MICRODRAWER™	5
RADIO OR TV INTERFERENCE	5
GROUNDING INSTRUCTIONS	5
ABOUT YOUR MICRODRAWER™.....	5
ABOUT MICROWAVE COOKING	5
ABOUT UTENSILS AND COVERINGS.....	6
ABOUT CHILDREN AND THE MICROWAVE	6
ABOUT SAFETY	7
ABOUT FOODS	7
PART NAMES	8
BEFORE OPERATING	9
TO SET THE CLOCK	9
TIMER	9
STOP/CLEAR.....	9
OPEN OR CLOSE MICRODRAWER™.....	9
MICRODRAWER™ COOKING	10
TIME COOKING	10
TO SET POWER LEVEL	10
SENSOR SETTINGS	10
POPCORN / SENSOR REHEAT	11
SENSOR COOKING	12
DEFROST.....	13
MANUAL DEFROST.....	13
MORE.....	14
OTHER FEATURES	15
KEEP WARM.....	15
MULTIPLE SEQUENCE COOKING	15
HELP	15
+1 MIN.....	15
MORE OR LESS TIME ADJUSTMENT	15
PANEL LOCK	15
SETTINGS.....	16
AUDIBLE SIGNAL ELIMINATION	16
AUTO START.....	16
DEMONSTRATION MODE.....	16
SLEEP MODE	16
CLEANING AND CARE	17
BEFORE YOU CALL FOR SERVICE	18
STATEMENT OF LIMITED PRODUCT WARRANTY	19
THERMADOR® SUPPORT	21

Customer Assistance

To aid in any future assistance concerning this appliance, please record the model and serial numbers located on the unit, and other relevant information in the spaces provided below. Please retain this information for future reference.

Model number _____ Serial number _____

Date of purchase _____ / _____ / _____

Dealer _____ Telephone _____

Servicer _____ Telephone _____

To obtain the name and address of the nearest Thermador Authorized Service Centre, please contact:

BSH Home Appliances Corporation
1901 Main Street, Suite 600
Irvine, CA 92614
1-800-735-4328

Please provide the following information when you write or call: model number, serial number, date of purchase, your complete mailing address (including zip code), your daytime telephone number (including area code) and description of the problem.

Website: www.thermador.com

PRECAUTIONS TO AVOID POSSIBLE EXPOSURE TO EXCESSIVE MICROWAVE ENERGY

- (a) Do not attempt to operate this oven with the door open since open-door operation can result in harmful exposure to microwave energy. It is important not to defeat or tamper with the safety interlocks.
- (b) Do not place any object between the oven front face and the door or allow soil or cleaner residue to accumulate on sealing surfaces.
- (c) Do not operate the oven if it is damaged. It is particularly important that the oven door close properly and that there is no damage to the: (1) door (bent), (2) hinges and latches (broken or loosened), (3) door seals and sealing surfaces.
- (d) The oven should not be adjusted or repaired by anyone except properly qualified service personnel.

IMPORTANT SAFETY INSTRUCTIONS

READ AND SAVE THESE INSTRUCTIONS

When using the appliance, basic safety precautions should be followed, including the following:

WARNING

To reduce the risk of burns, electric shock, fire, injury to persons or exposure to excessive microwave energy:

- 1 Read all instructions before using the appliance.
- 2 Read and follow the specific "PRECAUTIONS TO AVOID POSSIBLE EXPOSURE TO EXCESSIVE MICROWAVE ENERGY" on page 3.
- 3 This appliance must be properly grounded. See page 5 for grounding instructions.
- 4 Install or locate this appliance only in accordance with the provided Installation Manual.
- 5 Some products such as whole eggs and sealed containers - for example, closed glass jars—are able to explode and should not be heated in the appliance.
- 6 Use this appliance only for its intended use as described in this manual. Do not use corrosive chemicals or vapors in this appliance. This appliance is specifically designed to heat, cook or dry food. It is not designed for industrial or laboratory use.
- 7 As with any appliance, close supervision is necessary when used by children.
- 8 Do not operate this appliance if it has a damaged cord or plug, if it is not working properly or if it has been damaged or dropped.
- 9 This appliance should be serviced only by qualified service personnel. Contact nearest Thermador Authorized Servicer for examination, repair or adjustment.
- 10 Do not cover or block any openings on the appliance.
- 11 Do not store or use this appliance outdoors. Do not use this product near water—for example, near a kitchen sink, in a wet basement, near a swimming pool or similar locations.
- 12 Do not immerse cord or plug in water.
- 13 Keep cord away from heated surfaces.
- 14 Do not climb or sit on the appliance.
- 15 Be sure that fingers or other objects or materials are not around the appliance opening when the appliance is closed.
- 16 Do not put fingers or clothes around the drawer guides when the appliance is opened or closed. They could be caught in the guides when the appliance is closed.
- 17 Be sure that the food and container are shorter than the drawer before closing it. You can refer to the height of the side walls of the drawer.
- 18 When cleaning appliance sealing surfaces that come together on closing the drawer, use only mild, nonabrasive soaps or detergents applied with a sponge or soft cloth. See cleaning instructions on page 17.
- 19 To reduce the risk of fire in the appliance cavity:
 - a Do not overcook food. Carefully attend appliance when paper, plastic or other combustible materials are placed inside the appliance to facilitate cooking.
 - b Remove wire twist-ties from paper or plastic bags before placing bag in appliance.
 - c If materials inside the appliance ignite, keep appliance door closed, turn microwave off and shut off power at the fuse or circuit breaker panel.
 - d Do not use the appliance for storage purposes. Do not leave paper products, cooking utensils, or food in the appliance when not in use.
- 20 Liquids, such as water, coffee or tea are able to be overheated beyond the boiling point without appearing to be boiling due to surface tension of the liquid. Visible bubbling or boiling when the container is removed from the appliance is not always present. **THIS COULD RESULT IN VERY HOT LIQUIDS SUDDENLY BOILING OVER WHEN A SPOON OR OTHER UTENSIL IS INSERTED INTO THE LIQUID.**

To reduce the risk of injury to persons:

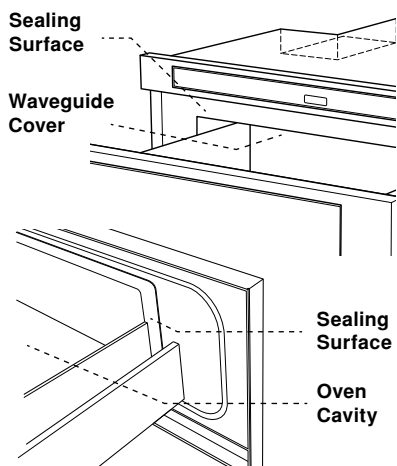
 - a Do not overheat the liquid.
 - b Stir the liquid both before and halfway through heating it.
 - c Do not use straight-sided containers with narrow necks. Use a wide-mouthed container.
 - d After heating, allow the container to stand in the appliance at least for 20 seconds before removing the container.
 - e Use extreme care when inserting a spoon or other utensil into the container.
- 21 If the appliance light fails, consult a THERMADOR AUTHORIZED SERVICER.

Information You Need To know

ABOUT UNPACKING AND EXAMINING YOUR MICRODRAWER™

1 Remove all packing materials from inside the MicroDrawer™. DO NOT REMOVE THE WAVEGUIDE COVER, which is located on the top of the MicroDrawer™.

2 Remove the feature sticker, if there is one. Check the drawer for any damage, such as misaligned or bent drawer, damaged drawer seals and sealing surfaces, broken or loose drawer guides and dents inside the cavity or on the front side of the drawer. If there is any damage, do not operate the MicroDrawer™ and contact your dealer or a THERMADOR AUTHORIZED SERVICER.

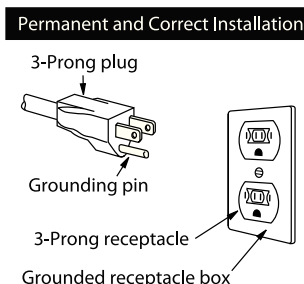


RADIO OR TV INTERFERENCE

Should there be any interference caused by the MicroDrawer™ to your radio or TV, check that the MicroDrawer™ is on a different electrical circuit, relocate the radio or TV as far away from the drawer as feasible or check position and signal of receiving antenna.

GROUNDING INSTRUCTIONS

- This appliance must be grounded. The MicroDrawer™ is equipped with a cord having a grounding wire with a grounding plug. It must be plugged into a wall receptacle that is properly installed and grounded in accordance with the National Electrical Code and local codes and ordinances. In the event of an electrical short circuit, grounding reduces risk of electric shock by providing an escape wire for the electric current.
- **⚠ WARNING** – Improper use of the grounding plug can result in a risk of electric shock. Do not use an extension cord. If the power supply cord is too short, have a qualified electrician or serviceman install an outlet near the appliance.
- If you have any questions about the grounding or electrical instructions, consult a qualified electrician or service person.



ABOUT YOUR MICRODRAWER™

ALWAYS have food in the MicroDrawer™ when it is on to absorb the microwave energy.

The vent under the MicroDrawer™ must not be blocked. During microwaving, steam may come from the right side of the vent.

When using the MicroDrawer™ at power levels below 100%, you may hear the magnetron cycling on and off. It is normal for the exterior of the MicroDrawer™ to be warm to the touch when cooking or reheating.

Condensation is a normal part of microwave cooking. Room humidity and the moisture in food will influence the amount of moisture that condenses in the MicroDrawer™. Generally, covered foods will not cause as much condensation as uncovered ones.

The MicroDrawer™ is for food preparation only. It should not be used to dry clothes or newspapers.

Your MicroDrawer™ is rated 950 watts by using the IEC Test Procedure. In using recipes or package directions, check food a minute or two before the minimum time and add time accordingly.

When opening or closing the MicroDrawer™ quickly, food in the MicroDrawer™ may be spilled. To clean, please refer to the Cleaning and Care section on page 17.

A good microwave cookbook is a valuable asset. Check it for microwave cooking principles, techniques, hints and recipes.

ABOUT MICROWAVE COOKING

- Arrange food carefully. Place thickest areas towards outside of dish.
- Watch cooking time. Cook for the shortest amount of time indicated and add more as needed. Food severely overcooked can smoke or ignite.
- Cover foods while cooking. Check recipe or cookbook for suggestions: paper towels, wax paper, microwave plastic wrap or a lid. Covers prevent spattering and help foods to cook evenly.
- Shield with small flat pieces of aluminum foil any thin areas of meat or poultry to prevent overcooking before dense, thick areas are cooked thoroughly.
- Stir foods from outside to center of dish once or twice during cooking, if possible.
- Turn foods over once during microwaving to speed cooking of such foods as chicken and hamburgers. Large items like roasts must be turned over at least once.
- Rearrange foods such as meatballs halfway through cooking both from top to bottom and from right to left.
- Add standing time. Remove food from MicroDrawer™ and stir, if possible. Cover for standing time which allows the food to finish cooking without overcooking.

Information You Need To know

- Check for doneness. Look for signs indicating that cooking temperatures have been reached.

Doneness signs include:

- Food steams throughout, not just at edge.
- Center bottom of dish is very hot to the touch.
- Poultry thigh joints move easily.
- Meat and poultry show no pinkness.
- Fish is opaque and flakes easily with a fork.

ABOUT UTENSILS AND COVERINGS

It is not necessary to buy all new cookware. Many pieces already in your kitchen can be used successfully in your new MicroDrawer™. Make sure the utensil does not touch the interior walls during cooking.

Use these utensils for safe microwave cooking and reheating:

- glass ceramic (Pyroceram®), such as Corningware®.
- heat-resistant glass (Pyrex®)
- microwave-safe plastics
- microwave-safe paper plates
- microwave-safe pottery, stoneware and porcelain
- browning dish (Do not exceed recommended preheating time. Follow manufacturer's directions.)

These items can be used for short time reheating of foods that have little fat or sugar in them:

- wood, straw, wicker

DO NOT USE

- metal pans and bakeware
- dishes with metallic trim
- non-heat-resistant glass
- non-microwave-safe plastics (margarine tubs)
- recycled paper products
- brown paper bags
- food storage bags
- metal twist-ties

Should you wish to check if a dish is safe for microwaving, place the empty dish in the oven and microwave on HIGH for 30 seconds. A dish which becomes very hot should not be used.

The following coverings are ideal:

- Paper towels are good for covering foods for reheating and absorbing fat while cooking bacon.
- Wax paper can be used for cooking and reheating.
- Plastic wrap that is specially marked for microwave use can be used for cooking and reheating. DO NOT allow plastic wrap to touch food. Vent so steam can escape.
- Lids that are microwave-safe are a good choice because heat is kept near the food to hasten cooking.
- Oven cooking bags are good for large meats or foods that need tenderizing. DO NOT use metal twist ties. Remember to slit bag so steam can escape.

How to use aluminum foil in your MicroDrawer™:

- Small flat pieces of aluminum foil placed smoothly on the food can be used to shield areas that are either defrosting or cooking too quickly.
- Foil should not come closer than one inch to any surface of the MicroDrawer™.

ACCESSORIES There are many microwave accessories available for purchase. Evaluate carefully before you purchase so that they meet your needs. A microwave-safe thermometer will assist you in determining correct doneness and assure you that foods have been cooked to safe temperatures. Thermador is not responsible for any damage to the MicroDrawer™ when accessories are used.

ABOUT CHILDREN AND THE MICROWAVE

Children below the age of 7 should use the MicroDrawer™ with a supervising person very near to them. Between the ages of 7 and 12, the supervising person should be in the same room. The child must be able to reach the MicroDrawer™ comfortably.

At no time should anyone be allowed to lean or swing on the MicroDrawer™.

Children should be taught all safety precautions: use potholders, remove coverings carefully, pay special attention to packages that crisp food because they may be extra hot.

Don't assume that because a child has mastered one cooking skill he/she can cook everything.

Children need to learn that the MicroDrawer™ is not a toy. See page 15 for Panel Lock feature.

Information You Need To know

ABOUT SAFETY

- Check foods to see that they are cooked to the United States Department of Agriculture's recommended temperatures.

145°F - Fish.

160°F - Pork, ground beef/veal/lamb, egg dishes

165°F - For leftover, ready-to-reheat refrigerated, and deli and carry-out "fresh" food. Whole, pieces and ground turkey/chicken/duck.

To test for doneness, insert a meat thermometer in a thick or dense area away from fat or bone. NEVER leave the thermometer in the food during cooking, unless it is approved for microwave use.

- ALWAYS use potholders to prevent burns when handling utensils that are in contact with hot food. Enough heat from the food can transfer through utensils to cause skin burns.

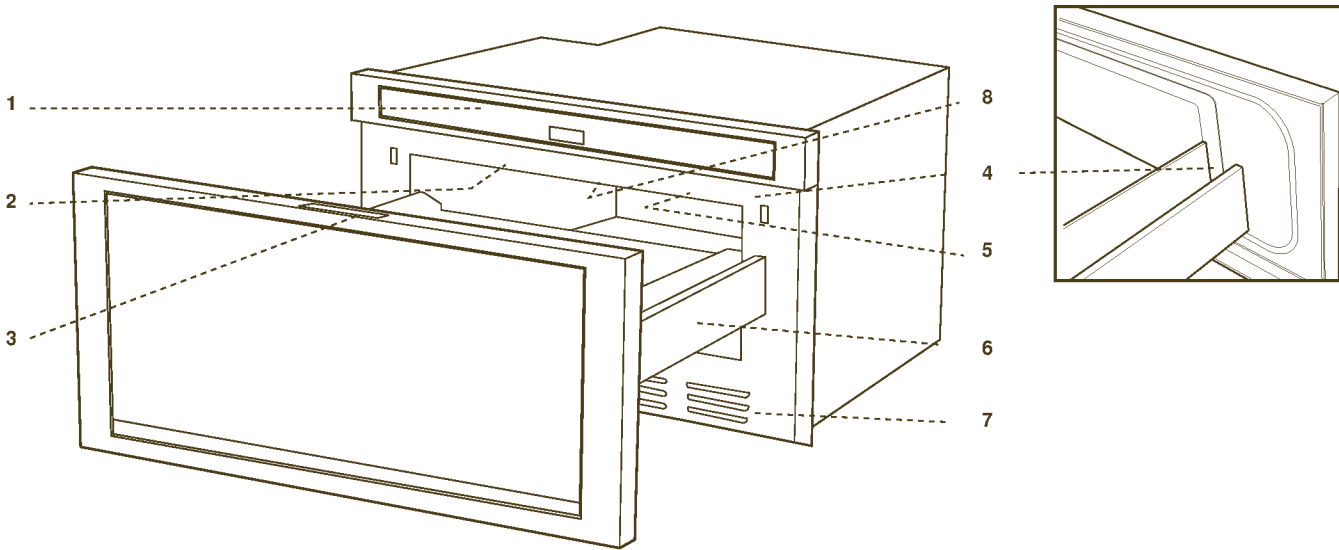
- Avoid steam burns by directing steam away from the face and hands. Slowly lift the farthest edge of a dish's covering and carefully open popcorn and oven cooking bags away from the face.
- Stay near the MicroDrawer™ while it's in use and check cooking progress frequently so that there is no chance of overcooking food.
- NEVER use the MicroDrawer™ for storing cookbooks or other items.
- Select, store and handle food carefully to preserve its high quality and minimize the spread of foodborne bacteria.
- Keep waveguide cover clean. Food residue can cause arcing and/or fires. See page 17.

ABOUT FOODS

FOOD	DO	DON'T
Eggs, sausages, fruits & vegetables	<ul style="list-style-type: none"> • Puncture egg yolks before cooking to prevent "explosion". • Pierce skins of potatoes, apples, squash, hot dogs and sausages so that steam escapes. 	<ul style="list-style-type: none"> • Cook eggs in shells. • Reheat whole eggs. • Dry nuts or seeds in shells.
Popcorn	<ul style="list-style-type: none"> • Use specially bagged popcorn for the microwave. • Listen while popping corn for the popping to slow to 1 or 2 seconds or use special POPCORN pad. 	<ul style="list-style-type: none"> • Pop popcorn in regular brown bags or glass bowls. • Exceed maximum time on popcorn package.
Baby food	<ul style="list-style-type: none"> • Transfer baby food to small dish and heat carefully, stirring often. Check temperature before serving. • Put nipples on bottles after heating and shake thoroughly. "Wrist" test before feeding. 	<ul style="list-style-type: none"> • Heat disposable bottles. • Heat bottles with nipples on. • Heat baby food in original jars.
General	<ul style="list-style-type: none"> • Cut baked goods with filling after heating to release steam and avoid burns. • Stir liquids briskly before and after heating to avoid "eruption". • Use deep bowl, when cooking liquids or cereals, to prevent boilovers. • Food should be shorter than the MicroDrawer™. Please refer to the height of side walls of the drawer. 	<ul style="list-style-type: none"> • Heat or cook in closed glass jars or airtight containers. • Can in the microwave as harmful bacteria may not be destroyed. • Deep fat fry. • Dry wood, gourds, herbs or wet papers.

Part Names

MICRODRAWER™



- 1 Control panel
- 2 Waveguide cover **DO NOT REMOVE**
- 3 MicroDrawer™ Menu Label
- 4 Drawer sealing surfaces
- 5 Drawer light
- 6 MicroDrawer™ guides
- 7 Vent
- 8 Name plate: open the MicroDrawer™ fully. The label is beyond the back wall of the microwave cavity facing up from the flat surface.

KEYSHEET



Numbers next to the keysheet illustration indicate pages on which there are feature descriptions and usage information.

MENU LABEL

SENSOR COOK		DEFROST	MORE	
1 Fresh Vegetables: Quick	6 Sweet Potatoes	1 Ground Meat	1 Reheat Fresh Rolls / Muffins	6 Melt Chocolate
2 Fresh Vegetables: Longer	7 Ground Meat	2 Steaks/Chops	2 Reheat Frozen Rolls / Muffins	7 Soften Ice Cream
3 Frozen Vegetables	8 Fish/Seafood	3 Boneless Poultry	3 Reheat Beverage	8 Soften Cream Cheese
4 Frozen Entrees	9 White Rice	4 Bone-in Poultry	4 Hot Water	9 Warm Syrup
5 Baked Potatoes	10 Brown Rice	5 Roast	5 Melt Butter	10 Warm Dessert Topping
		6 Casserole or Soup		

TLAB-B062MRR0

Before Operating

Before operating your new MicroDrawer™ make sure you read and understand this operation manual completely.

- Before the MicroDrawer™ can be used, follow these steps:

- 1 Plug in the MicroDrawer™. **ENJOY YOUR MICRO- WAVE TOUCH CLEAR AND TOUCH CLOCK** will appear.
- 2 Touch the **STOP/CLEAR** pad. **:** will appear.
- 3 Set clock.

TO SET THE CLOCK

- 1 Touch **TIMER/CLOCK** pad and number **2**.
- 2 Touch number pads for correct time of day and touch **TIMER/CLOCK** pad again.

This is a 12 hour clock. If you attempt to enter an incorrect clock time, **ERROR** will appear in the display. Touch the **STOP/CLEAR** pad and re-enter the time.

- If the electrical power supply to your MicroDrawer™ should be interrupted, the display will intermittently show **ENJOY YOUR MICRO- WAVE TOUCH CLEAR AND TOUCH CLOCK** after the power is reinstated. If this occurs during cooking, the program will be erased. The time of day will also be erased. Simply touch **STOP/CLEAR** pad and reset the clock for the correct time of day.

Note:

- The MicroDrawer™ can be programmed with the drawer open except for **START (+1 min)**

TIMER

- 1 Touch **TIMER/CLOCK** pad and number **1**.
- 2 Enter time.
- 3 Touch **TIMER/CLOCK** pad again.

To cancel timer, touch **STOP/CLEAR**.

STOP/CLEAR

Touch the **STOP/CLEAR** pad to:

- Erase if you make a mistake during programming.
- Cancel timer.
- Stop the MicroDrawer™ temporarily during timed cooking.
- Return the time of day to the display.
- Cancel a program during cooking, touch twice for timed cooking.

OPEN OR CLOSE MICRODRAWER™

Always press the OPEN or CLOSE key on the control panel to open or close the drawer.

Do not push or pull the drawer by hand, except in case of emergency, such as during a power failure. If necessary, push or pull slowly.

Microwave cooking

TIME COOKING

Your MicroDrawer™ can be programmed for 99 minutes 99 seconds (99.99). Always enter the seconds after the minutes, even if they are both zeros.

- Suppose you want to cook for 5 minutes at 100%.

1 Enter cooking time .

2 To cook at 100% power (High), touch **START (+1 min)** pad.

TO SET POWER LEVEL

There are eleven preset power levels.

Using lower power levels increases the cooking time, which is recommended for foods such as cheese, milk and long slow cooking of meats. Consult a microwave cookbook or recipes for specific recommendations.

- Suppose you want to defrost for 5 minutes at 30%.

1 Enter defrost time .

2 Touch **POWER LEVEL** pad 8 times.

3 Touch **START (+1 min)** pad.

TOUCH POWER LEVEL PAD NUMBER OF TIMES FOR DESIRED POWER	APPROXIMATE PERCENTAGE OF POWER	COMMON WORDS FOR POWER LEVELS
POWER LEVEL x 1	100%	High
POWER LEVEL x 2	90%	
POWER LEVEL x 3	80%	
POWER LEVEL x 4	70%	Medium High
POWER LEVEL x 5	60%	
POWER LEVEL x 6	50%	Medium
POWER LEVEL x 7	40%	
POWER LEVEL x 8	30%	Med Low/Defrost
POWER LEVEL x 9	20%	
POWER LEVEL x 10	10%	Low
POWER LEVEL x 11	0%	

SENSOR SETTINGS

Thermador's Sensor is a semi-conductor device that detects the vapor (moisture and humidity) emitted from the food as it heats. The sensor adjusts the cooking times and power levels for various foods and quantities.

USING SENSOR SETTINGS:

- 1 After the MicroDrawer™ is plugged in, wait 2 minutes before using any sensor setting.
- 2 Be sure the exterior of the cooking container and the interior of the MicroDrawer™ are dry. Wipe off any moisture with a dry cloth or paper towel.
- 3 The sensor works with foods at normal storage temperature. For example, popcorn would be at room temperature.
- 4 Any sensor selection can be programmed with More or Less Time Adjustment. See page 15.
- 5 More or less food than the quantity listed in the charts should be cooked following the guidelines in any microwave cookbook.
- 6 During the first part of sensor use, the food name will appear on the display. Do not open the MicroDrawer™ or touch STOP/CLEAR during this part of the cycle. The measurement of vapor will be interrupted. If this occurs, an error message will appear. To continue cooking, touch the STOP/CLEAR pad and cook manually.

When the sensor detects the vapor emitted from the food, the remainder of cooking/reheating time will appear. The MicroDrawer™ may be opened when the remaining time appears on the display. At this time, you may stir or season food, as desired.
- 7 Except for Popcorn, if the sensor does not detect vapor properly when cooking other foods, will be displayed, and the microwave will turn off.
- 8 Check food temperature after cooking. If additional time is needed, continue to cook manually.
- 9 Each food has a cooking hint. Touch the SETTINGS pad when the HELP indicator is lighted in the display.

Microwave cooking

COVERING FOODS:

Some foods work best when covered. Use the cover recommended in the charts for these foods. You may refer to the hints by touching the **SETTINGS** pad. See page 16.

- 1 Casserole lid.
- 2 Plastic wrap: Use plastic wrap recommended for microwave cooking. Cover dish loosely; allow approximately 1/2 inch to remain uncovered to allow steam to escape. Plastic wrap should not touch food.
- 3 Wax paper: Cover dish completely; fold excess wrap under dish to secure. If dish is wider than paper, overlap two pieces at least one inch to cover.

Be careful when removing any covering to allow steam to escape away from you.

POPCORN / SENSOR REHEAT

You can pop popcorn and reheat many foods and don't need to calculate cooking time or power level.

Touch **SENSOR REHEAT** or **POPCORN** and **START (+1 min)** pad.

When the sensor detects the vapor emitted from the food, the remainder of cooking/reheating time will appear.

Note:

- The Popcorn setting has 2 choices. Follow directions in the display to choose desired option.

POPCORN / SENSOR REHEAT CHART

FOOD	AMOUNT	PROCEDURE
POPCORN	Only 1 package at a time	Use only popcorn packaged for the microwave. Try several brands to decide which you like. Do not try to pop unpopped kernels.
	2.85 - 3.5 oz. (Regular / Regular light)	Touch POPCORN pad once.
	1.2 - 1.75 oz. (Mini / Snack)	Touch POPCORN pad twice.
SENSOR REHEAT	4 - 36 oz.	Place in dish or casserole slightly larger than amount to be reheated. Flatten, if possible. Cover with lid, plastic wrap or wax paper. Use covers such as plastic wrap or lids with larger quantities of more dense foods such as stews. After reheating, stir well, if possible. Re-cover and allow to stand 2 to 3 minutes. Foods should be very hot. If not, continue to heat with variable power and time.

Microwave cooking

SENSOR COOKING

1 Touch **SENSOR COOK** pad once.

SEE LABEL SELECT FOOD NUMBER

2 See Menu Label. Select desired food by touching number pad. Ex: Touch **5** for baked potatoes.

3 Touch **START (+1 min)** pad.

Note:

- To heat or cook other foods or foods above or below the quantity allowed on the SENSOR COOK CHART, cook manually.

SENSOR COOK CHART

FOOD	AMOUNT	PROCEDURE
1 Fresh vegetables: Quick		Wash and place in casserole. Add no water if vegetables have just been washed. Cover with lid for tender vegetables. Use plastic wrap for tender-crisp vegetables. After cooking, stir, if possible. Let stand, covered, for 2 to 5 minutes.
Broccoli	.25 - 2.0 lb.	
Brussels sprouts	.25 - 2.0 lb.	
Cabbage	.25 - 2.0 lb.	
Cauliflower (flowerets)	.25 - 2.0 lb.	
Cauliflower (whole)	1 med.	
Spinach	.25 - 1.0 lb.	
Zucchini	.25 - 2.0 lb.	
Baked apples	2 - 4 med.	
2 Fresh vegetables: Longer		Place in casserole. Add 1 - 4 tablespoons water. Cover with lid for tender vegetables. Use plastic wrap cover for tender-crisp vegetables. After cooking, stir, if possible. Let stand, covered, for 2 to 5 minutes.
Carrots, sliced	.25 - 1.5 lb.	
Corn on the cob	2 - 4	
Green beans	.25 - 1.5 lb.	
Winter squash:		
diced	.25 - 1.5 lb.	
halves	1 - 2	
3 Frozen vegetables	.25 - 1.25 lb.	Add no water. Cover with lid or plastic wrap. After cooking, stir and let stand, covered, for 3 minutes.
4 Frozen entrees	6 - 17 oz.	Use this pad for frozen convenience foods. It will give satisfactory results for most brands. You may wish to try several and choose your favorite. Remove package from outer wrapping and follow package directions for covering. After cooking, let stand, covered, for 1-3 minutes.
5 Baked potatoes	1 - 6 med.	Pierce. Place on paper-towel-lined MicroDrawer™. After cooking, remove from microwave, wrap in aluminum foil and let stand 5 to 10 minutes.
6 Sweet potatoes	1 - 6 med.	
7 Ground meat	.25 - 2.0 lb.	Use this setting to cook ground beef or turkey as patties or in a casserole to be added to other ingredients. Place patties on a microwave-safe rack and cover with wax paper. Place ground meat in a casserole and cover with wax paper or plastic wrap. When microwave stops, turn patties over or stir meat in casserole to break up large pieces. Re-cover and touch START (+1 min) . After cooking, let stand, covered, for 2 to 3 minutes.
8 Fish/seafood	.25 - 2.0 lb.	Arrange in ring around shallow glass dish (roll fillet with edges underneath). Cover with vented plastic wrap. After cooking, let stand, covered for 3 minutes.
9 White rice	.5 - 2.0 cups	Place rice into a deep casserole and add double quantity of water. Cover with lid or plastic wrap. After cooking, stir, cover and let stand 3 to 5 minutes or until all liquid has been absorbed.
10 Brown rice	.5 - 2.0 cups	

Rice	Water	Size of casserole
.5 cup.....	1 cup.....	1.5 quart
1 cup.....	2 cups.....	2 quart
1.5 cups.....	3 cups.....	2.5 or 3 quart
2 cups.....	4 cups.....	3 quart or larger

Microwave cooking

DEFROST

Use this feature to defrost the foods shown in the DEFROST CHART below.

- 1 Touch **DEFROST** pad.
- 2 See Menu Label. Select desired food by touching the number pad. Ex: Touch for steaks/chops.
- 3 Enter weight by touching number pads.
- 4 Touch **START (+1 min)** pad.

The oven will stop so that the food can be checked.

- 5 After the first stage, open the MicroDrawer™. Turn steak over and shield any warm portions. Close the MicroDrawer™. Touch **START (+1 min)** pad.
- 6 After the second stage, open the MicroDrawer™. Shield any warm portions. Close the MicroDrawer™. Touch **START (+1 min)** pad.

- 7 After defrost cycle ends, cover and let stand as indicated in the chart below.

Note:

- Defrost can be programmed with More or Less Time Adjustment. See page 15.
- To defrost other foods or foods above or below the weights allowed on the DEFROST CHART, see MANUAL DEFROST below.
- Check foods when oven signals. After final stage, small sections may still be icy. Let stand to continue thawing. Do not cook until all ice crystals are thawed.
- Shielding prevents cooking from occurring before the center of the food is defrosted. Use small smooth strips of aluminum foil to cover edges and thinner sections of the food.

DEFROST CHART

FOOD	AMOUNT	PROCEDURE
1 Ground meat	.5 - 2.0 lb	Remove any thawed pieces after each audible signal. Let stand, covered, for 5 to 10 minutes.
2 Steaks/chops	.5 - 3.0 lb	After each audible signal, rearrange and if there are warm or thawed portions, shield with small flat pieces of aluminum foil. Remove any meat or fish that is almost defrosted. Let stand, covered, for 10 to 20 minutes.
3 Boneless poultry	.5 - 2.0 lb	After each audible signal, if there are warm or thawed portions, rearrange or remove. Let stand, covered, for 10 to 20 minutes.
4 Bone-in poultry	.5 - 3.0 lb	After each audible signal, rearrange pieces or remove portions should they become warm or thawed. Let stand, covered, for 10 to 20 minutes.
5 Roast	2.0 -4.0 lb	Start defrosting with fat side down. After each stage, turn roast over and shield the warm portions with aluminum foil. Let stand, covered, for 30 to 60 minutes.
6 Casserole, Soup	2 - 6 cups 1 - 6 cups	After each audible signal, break apart and remove any defrosted part. At end, stir well and let stand, covered, for 5 to 10 minutes.

MANUAL DEFROST

If the food that you wish to defrost is not listed on the DEFROST CHART or is above or below the limits in the AMOUNT column on the DEFROST CHART, you need to defrost manually.

You can defrost any frozen food, either raw or previously cooked, by using Power Level at 30%. Follow the exact 3-step procedure found under TO SET POWER LEVEL on page 10. Estimate defrosting time and touch POWER LEVEL pad eight times for 30% power.

For either raw or previously cooked frozen food the rule of thumb is approximately 4 minutes per pound. For

example, defrost 4 minutes for 1 pound of frozen spaghetti sauce.

Always stop the oven periodically to remove or separate the portions that are defrosted. If food is not defrosted at the end of the estimated defrosting time, program the oven in 1 minute increments on Power Level 30% until totally defrosted.

When using plastic containers from the freezer, defrost only long enough to remove from the plastic in order to place in a microwave-safe dish.

Microwave cooking

MORE

More automatically computes the correct cook time and microwave power level for foods shown in the chart below.

- 1 Touch **MORE** pad once.

SEE LABEL SELECT FOOD NUMBER

- 2 See Menu Label. Select desired food by touching number pad. Ex: Touch **2** for frozen rolls or muffins.
- 3 Touch the number pad to select quantity. Ex: Touch **2** for 2 rolls or muffins.
- 4 Touch **START (+1 min)** pad.

Note:

- More can be programmed with More or Less Time Adjustment. See page 15.
- To cook other foods or foods above or below the quantity allowed on the MORE CHART, use manual operation.

MORE CHART

FOOD	AMOUNT	PROCEDURE
1 Reheat Fresh Rolls/ Muffins	1 - 8 pcs	Use this pad to warm rolls, muffins, biscuits, bagels etc. Large items should be considered as 2 or 3 regular size. Arrange on plate; cover with paper towel. For refrigerated rolls or muffins, it may be necessary to double the entered amount to ensure the proper serving temperature. For example, enter quantity of 2 for 1 refrigerated muffin.
2 Reheat Frozen Rolls/ Muffins	1 - 8 pcs	Use this pad to warm frozen rolls, muffins, biscuits, bagels etc. Large items should be considered as 2 or 3 regular size. Arrange on plate; cover with paper towel.
3 Reheat Beverage	.5 - 2.0 cups	This setting for good for restoring cooled beverage to a better drinking temperature. Touch number 1 pad for a 0.5 cup increase per touch. Stir after heating.
4 Hot water	1 - 6 cups	Use this setting for heating COLD TAP WATER to a temperature somewhat below the boiling point to make instant coffee or tea. Touch number 1 pad for 1 cup increase per touch. Stir liquid briskly before and after heating to avoid "eruption".
5 Melt Butter	2 tbsp .5 cup	Use a Pyrex measuring cup. Cover with plastic wrap. Touch 1 once for 2 tbsp. Use a Pyrex measuring cup. Cover with plastic wrap. Touch 1 twice for .5 cup.
6 Melt Chocolate	1 cup chips 1 square	Use a Pyrex measuring cup. Cover with plastic wrap. Touch 1 once for 1 cup chips. Use a Pyrex measuring cup. Cover with plastic wrap. Touch 1 twice for 1 square.
7 Soften Ice Cream	1 pint 1.5 quart	Do not cover. Touch 1 once for 1 pint. Do not cover. Touch 1 twice for 1.5 quart.
8 Soften Cream Cheese	3 oz. 8 oz.	Do not cover. Touch 1 once for 3 oz. Do not cover. Touch 1 twice for 8 oz.
9 Warm Syrup	1/4 cup 1/2 cup	Use a Pyrex measuring cup. Do not cover. Touch 1 once for 1/4 cup. Use a Pyrex measuring cup. Do not cover. Touch 1 twice for 1/2 cup.
10 Warm Dessert Topping	1/4 cup 1/2 cup	Use a Pyrex measuring cup. Do not cover. Touch 1 once for 1/4 cup. Use a Pyrex measuring cup. Do not cover. Touch 1 twice for 1/2 cup.

Other Features

KEEP WARM

Keep Warm allows you to keep food warm up to 30 minutes.

DIRECT USE

- 1 Touch **KEEP WARM** pad.
- 2 Enter desired time by touching the number pads. To enter 30 minutes, touch .
- 3 Touch **START (+1 min)** pad.

The oven will start. The display will show and count down. will be displayed intermittently during the count down.

WITH MANUAL COOKING

- 1 Enter desired cooking time and power level.
- 2 Touch **KEEP WARM** pad.
- 3 Enter desired warming time up to 30 minutes.
- 4 Touch **START (+1 min)** pad.

The operation will start. When the cooking time is complete, a long tone will sound and Keep Warm will start. The display will count down. will be displayed intermittently during the count down.

Note:

- If you attempt to enter more than 30 minutes for Keep Warm, an error message will appear in the display.
- Keep Warm cannot be programmed with Popcorn, Sensor Reheat, Sensor Cook, Defrost or More.

MULTIPLE SEQUENCE COOKING

Your MicroDrawer™ can be programmed for up to 4 automatic cooking sequences, switching from one power level setting to another automatically.

Sometimes cooking directions tell you to start on one power level and then change to a different power level. Your MicroDrawer™ can do this automatically.

- 1 First enter cooking time. Then touch **POWER LEVEL** pad once for 100% cooking or repeat touching **POWER LEVEL** pad for a lower power level.
- 2 Enter second cooking time. Repeat touching **POWER LEVEL** pad for desired level. You can follow this procedure up to 4 times.
- 3 Touch **START (+1 min)** pad.

Note:

- If **POWER LEVEL** pad is touched once, will be displayed.
- If 100% is selected as the final sequence, it is not necessary to touch the **POWER LEVEL** pad.

- If you wish to know power level during cooking, simply touch the **POWER LEVEL** pad. As long as your finger is touching the **POWER LEVEL** pad, the power level will be displayed.
- Keep Warm can be programmed even if 4 cooking sequences have been set.

HELP

Each setting of Sensor Reheat, Sensor Cook, Popcorn, Keep Warm and Defrost has a cooking hint. Only More settings: Fresh rolls/muffins, Frozen rolls/muffins, Beverage reheat and Beverage hot water have a cooking hint. If you wish to check, touch **SETTINGS** whenever **HELP** is lighted in the Interactive Display for these and other manual operation hints.

+1 MIN

+1 min allows you to cook for a minute at 100% by simply touching the **+1 min** pad. You can also extend cooking time in multiples of 1 minute by repeatedly touching the +1 min pad during manual cooking.

Note:

- To use +1 min, touch pad within 3 minutes after cooking, closing the drawer or touching the **STOP/CLEAR** pad.
- +1 min cannot be used with Sensor settings, More or Defrost.

MORE OR LESS TIME ADJUSTMENT

Should you discover that you like any of the Sensor Reheat, Sensor Cook, Defrost, Popcorn or More settings slightly more done, touch the **POWER LEVEL** pad once after touching your selection. The display will show .

For slightly less done, touch the **POWER LEVEL** pad twice after touching your selection. The display will show .

PANEL LOCK

The Panel Lock prevents unwanted drawer operation such as by small children. The MicroDrawer™ can be set so that the control panel and the automatic door mechanism are deactivated or locked.

TO LOCK

Touch **PANEL LOCK** pad and hold for 3 seconds. The display shows .

TO UNLOCK

Touch **PANEL LOCK** pad and hold for 3 seconds. The display shows .

The Panel Lock is canceled when the electrical power supply to your oven is interrupted. Set the Panel Lock again when power to the oven is restored.

Other Features

SETTINGS

If the electrical power supply to your MicroDrawer™ should be interrupted, the display will intermittently show

ENJOY YOUR MICRO- WAVE TOUCH CLEAR AND

TOUCH CLOCK after the power is reinstated. If this occurs, the **SETTINGS** option you input will be erased.

Simply touch STOP/CLEAR pad and reset.

AUDIBLE SIGNAL ELIMINATION

At the end of timed cook, beeps will sound. The audible signal can be turned off if you prefer quiet operation.

TO TURN SOUND OFF

- 1 Touch **SETTINGS** pad. TOUCH AGAIN
- 2 Touch **SETTINGS** pad again. SOUND OFF ?
TOUCH START
- 3 Touch **START (+1 min)** pad. The display shows SOUND
OFF

TO RESTORE SOUND

- 1 Touch **SETTINGS** pad. TOUCH AGAIN
- 2 Touch **SETTINGS** pad again. SOUND ON ?
TOUCH START
- 3 Touch **START (+1 min)** pad. The display shows SOUND
ON

END OF COOKING REMINDER

At end of timed cooking, the microwave will signal every 10 seconds for the first minute; then every 3 minutes until STOP/CLEAR pad is touched, up to one hour.

TO TURN REMINDER OFF

- 1 Touch **SETTINGS** pad three times. The display shows
REMINO SIGNAL OFF ? TOUCH START .
- 2 Touch **START (+1 MIN)** pad. The display shows
REMINO SIGNAL OFF .

TO TURN REMINDER SIGNAL BACK ON

- 1 Touch **SETTINGS** pad three times. The display shows
REMINO SIGNAL ON ? TOUCH START .
- 2 Touch **START (+1 min)** pad. The display shows
REMINO SIGNAL ON .

AUTO START

If you wish to program the MicroDrawer™ to begin cooking automatically at a designated time of day, follow this procedure.

CAUTION

To maintain food safety, do not leave food in the oven for more than one hour before or after cooking.

- 1 Touch **SETTINGS** pad 4 times. The display shows
AUTO START TOUCH START .
- 2 Touch **START (+1 min)** pad.
ENTER START TIME
- 3 Enter start time. 4:30 TOUCH CLOCK
- 4 Touch **TIMER/CLOCK** pad. ENTER COOKING TIME
- 5 Touch the number pads to enter cooking time. 20.00
TOUCH START OR TOUCH POWER LEVEL
Touch **POWER LEVEL** pad repeatedly until the desired power level is reached. TOUCH START
- 6 Touch **START (+1 min)** pad.

DEMONSTRATION MODE

TO SELECT DEMO MODE

- 1 Touch **SETTINGS** pad five times. The display shows
DEMO ON? HOLD START 3 SEC .
- 2 Hold **START (+1 min)** pad for 3 seconds. The display shows
DEMO ON .

TO CANCEL DEMO MODE

- 1 Touch **SETTINGS** pad five times. The display shows
DEMO OFF ? TOUCH START .
- 2 Touch **START (+1 min)** pad. The display shows
DEMO OFF

Note:

- MicroDrawer™ doesn't heat in Demo Mode.
- Display counts down quickly.

SLEEP MODE

The backlight of the display will automatically turn off after 15 minutes if the unit has not been in operation. The information in the display will remain, but the display will not remain lighted. The display will not go into the Sleep Mode during cooking or while the Demo Mode is set.

If the display is "sleeping", simply touch the control panel or open/close the door to turn the back light on. The Sleep Mode feature can be deactivated, if desired.

TO TURN SLEEP MODE OFF

- 1 Touch **SETTINGS** pad 6 times. The display shows
SLEEP MODE OFF ? .
- 2 Touch **START (+1 min)** pad. The display shows
SLEEP MODE OFF .

TO TURN SLEEP MODE BACK ON

- 1 Touch **SETTINGS** pad 6 times. The display shows
SLEEP MODE ON ? .
- 2 Touch **START (+1 min)** pad. The display shows
SLEEP MODE ON .

Cleaning and Care

STAINLESS STEEL SURFACE

Always wipe or rub in the direction of the grain. The exterior should be wiped often with a soft damp cloth and polished with a soft dry cloth to maintain its beauty. There are also a variety of products designed especially for cleaning and shining the stainless exterior of the oven. We recommend that the cleaner be applied to a soft cloth and then carefully used on the stainless exterior rather than sprayed directly on to it. Follow package directions carefully.

FRONT SIDE OF THE DRAWER

Wipe the window on both sides with a soft damp cloth to remove any spills or splatters. Metal parts will be easier to maintain if wiped frequently with a soft damp cloth. Avoid the use of spray and other harsh cleaners as they may stain, streak or dull the drawer surface.

TOUCH CONTROL PANEL

If desired, the touch pads may be deactivated before cleaning. See the Panel Lock information on page 15 of this manual. Wipe the panel with a cloth dampened slightly with water only. Dry with a soft cloth. Do not scrub or use any sort of chemical cleaners. Close drawer and follow directions on page 15 for turning Panel Lock off. Touch **STOP/CLEAR**.

INTERIOR

Before cleaning the MicroDrawer™, touch and hold the Panel Lock button for 3 seconds to lock the control pad and the automatic door mechanism. The drawer can be locked in either the open or closed position. The display will show **LOCK ON**. This will prevent the drawer from accidentally opening or closing during cleaning. After cleaning, touch and hold the Panel Lock button for 3 seconds to turn the lock off. The display will show **LOCK OFF**.

Cleaning is easy because no heat is generated to the interior surfaces; therefore, there is no baking and setting of spills or splattering. To clean the interior surfaces, including drawer sealing surfaces, wipe with a soft damp cloth. **DO NOT USE ABRASIVE OR HARSH CLEANERS OR SCOURING PADS.** For heavier soil, use mild soap; wipe clean with a soft damp cloth. Do not use any chemical oven cleaners.

MICRODRAWER™ GUIDES

Remove the food crumbs from the MicroDrawer™ guides. Wipe with a soft dry cloth in order to keep the MicroDrawer™ opening and closing smoothly.

WAVEGUIDE COVER

ATTENTION The waveguide cover, located on the inside top of the MicroDrawer™ area, is made from mica, so it requires special care. Keep the waveguide cover clean to assure good microwave performance. Carefully wipe with a soft damp cloth any food splatters from the surface of the cover immediately after they occur. Built-up splashes may overheat and cause smoke or possibly catch fire. Do not remove the waveguide cover.

ODOR REMOVAL

Occasionally, a cooking odor may remain in the MicroDrawer™. To remove odor, combine 1 cup water, grated peel and juice of one lemon and several whole cloves in a 2-cup glass microwave-safe measuring cup. Boil for several minutes using 100% power. Leave in the MicroDrawer™ until water cools. Wipe interior with a soft cloth.

Before you call for service

Please check the following before calling for service. It may save you time and expense.

PROBLEM	POSSIBLE CAUSE	SOLUTION
1 Part or all of MicroDrawer™ does not operate.	<ul style="list-style-type: none">• Power cord of MicroDrawer™ is not completely connected to the electrical outlet.• Power outage.• Fuse/circuit breaker doesn't work.• MicroDrawer™ is in Demo Mode.	<ul style="list-style-type: none">• Make sure the power cord is tightly connected to the outlet.• Check house lights to be sure. Call your local electric company for service.• Replace the fuse or reset the circuit breaker.• See page 16 for how to cancel Demo Mode.
2 Food in MicroDrawer™ is not heated.	<ul style="list-style-type: none">• No power to the appliance.• Drawer controls improperly set.• Drawer is in Demo Mode.	<ul style="list-style-type: none">• See SOLUTION for PROBLEM 1.• Check if the controls have been properly set.• See page 16.
3 MicroDrawer™ light does not work.	<ul style="list-style-type: none">• Light bulb is loose or burned out.	<ul style="list-style-type: none">• Call for service.
4 Touch controls will not operate.	<ul style="list-style-type: none">• Panel Lock is on.	<ul style="list-style-type: none">• See page 15 to unlock.
5 Display flashes.	<ul style="list-style-type: none">• Power failure.	<ul style="list-style-type: none">• Touch STOP/CLEAR pad and reset the clock. If the MicroDrawer™ was in use, you must reset the cooking function.
6 Steam from the vent	<ul style="list-style-type: none">• During microwaving, steam may come from the right side of the vent.	

STATEMENT OF LIMITED PRODUCT WARRANTY

What this Warranty Covers & Who it Applies to

The limited warranty provided by BSH Home Appliances in this Statement of Limited Product Warranty applies only to the Thermador Built-in Oven sold to you, the first using purchaser, provided that the Product was purchased:

- For your normal, household (non-commercial) use, and has in fact at all times only been used for normal household purposes.
- New at retail (not a display, "as is", or previously returned model), and not for resale, or commercial use.
- Within the United States or Canada, and has at all times remained within the country of original purchase.

The warranties stated herein apply only to the first purchaser of the Product and are not transferable. Thermador reserves the right to request proof of purchase at the time any warranty claim is submitted to confirm that the Product falls within the scope of this limited product warranty.

Please make sure to return your registration card; while not necessary to effectuate warranty coverage, it is the best way for Thermador to notify you in the unlikely event of a safety notice or product recall.

How Long the Warranty Lasts

Thermador warrants that the Product is free from defects in materials and workmanship for a period of twenty four (24) months from the date of purchase. The foregoing time line begins to run upon the date of purchase, and shall not be stalled, tolled, extended, or suspended, for any reason whatsoever.

Repair/Replace as Your Exclusive Remedy

During this warranty period, Thermador or one of its authorized service providers will repair your Product without charge to you (subject to certain limitations stated herein) if your Product proves to have been manufactured with a defect in materials or workmanship. If reasonable attempts to repair the Product have been made without success, then Thermador will replace your Product (upgraded models may be available to you, in Thermador's sole discretion, for an additional charge). All removed parts and components shall become the property of Thermador at its sole option. All replaced and/or repaired parts shall assume the identity of the original part for purposes of this warranty and this warranty shall not be extended with respect to such parts. Thermador's sole liability and responsibility hereunder is to repair manufacturer-defective Product only, using a Thermador-authorized service provider during normal business hours. For safety and property damage concerns, Thermador highly recommends that you do not attempt to repair the Product yourself, or use an un-authorized servicer; Thermador will have no responsibility or liability for repairs or work performed by a non-authorized servicer. If you choose to have someone other than an authorized service provider work on your Product, THIS WARRANTY WILL AUTOMATICALLY BECOME NULL AND VOID. Authorized service providers are those persons or companies that have been specially trained on Thermador products, and who possess,

in Thermador's opinion, a superior reputation for customer service and technical ability (note that they are independent entities and are not agents, partners, affiliates or representatives of Thermador). Notwithstanding the foregoing, Thermador will not incur any liability, or have responsibility, for the Product if it is located in a remote area (more than 100 miles from an authorized service provider) or is reasonably inaccessible, hazardous, threatening, or treacherous locale, surroundings, or environment; in any such event, if you request, Thermador would still pay for labor and parts and ship the parts to the nearest authorized service provider, but you would still be fully liable and responsible for any travel time or other special charges by the service company, assuming they agree to make the service call.

Out of Warranty Product

Thermador is under no obligation, at law or otherwise, to provide you with any concessions, including repairs, prorates, or Product replacement, once this warranty has expired.

Warranty Exclusions

The warranty coverage described herein excludes all defects or damage that are not the direct fault of Thermador, including without limitation, one or more of the following:

- Use of the Product in anything other than its normal, customary and intended manner (including without limitation, any form of commercial use, use or storage of an indoor product outdoors, use of the Product in conjunction with air or water-going vessels).
- Any party's willful misconduct, negligence, misuse, abuse, accidents, neglect, improper operation, failure to maintain, improper or negligent installation, tampering, failure to follow operating instructions, mishandling, unauthorized service (including self performed "fixing" or exploration of the appliance's internal workings).
- Adjustment, alteration or modification of any kind.
- A failure to comply with any applicable state, local, city, or county electrical, plumbing and/or building codes, regulations, or laws, including failure to install the product in strict conformity with local fire and building codes and regulations.
- Ordinary wear and tear, spills of food, liquid, grease accumulations, or other substances that accumulate on, in, or around the Product.
- Any external, elemental and/or environmental forces and factors, including without limitation, rain, wind, sand, floods, fires, mud slides, freezing temperatures, excessive moisture or extended exposure to humidity, lightning, power surges, structural failures surrounding the appliance, and acts of God.

In no event shall Thermador have any liability or responsibility whatsoever for damage to surrounding property, including cabinetry, floors, ceilings, and other structures or objects around the Product. Also excluded from this warranty are scratches, nicks, minor dents, and cosmetic damages on external surfaces and exposed parts; Products on which the serial numbers have been altered, defaced, or removed;

service visits to teach you how to use the Product, or visits where there is nothing wrong with the Product; correction of installation problems (you are solely responsible for any structure and setting for the Product, including all electrical, plumbing or other connecting facilities, for proper foundation/flooring, and for any alterations including without limitation cabinetry, walls, floors, shelving, etc.); and resetting of breakers or fuses.

TO THE EXTENT ALLOWED BY LAW, THIS WARRANTY SETS OUT YOUR EXCLUSIVE REMEDIES WITH RESPECT TO PRODUCT, WHETHER THE CLAIM ARISES IN CONTRACT OR TORT (INCLUDING STRICT LIABILITY, OR NEGLIGENCE) OR OTHERWISE. THIS WARRANTY IS IN LIEU OF ALL OTHER WARRANTIES, WHETHER EXPRESS OR IMPLIED. ANY WARRANTY IMPLIED BY LAW, WHETHER FOR MERCHANTABILITY OR FITNESS FOR A PARTICULAR PURPOSE, OR OTHERWISE, SHALL BE EFFECTIVE ONLY FOR THE PERIOD THAT THIS EXPRESS LIMITED WARRANTY IS EFFECTIVE. IN NO EVENT WILL THE MANUFACTURER BE LIABLE FOR CONSEQUENTIAL, SPECIAL, INCIDENTAL, INDIRECT, "BUSINESS LOSS", AND/OR PUNITIVE DAMAGES, LOSSES, OR EXPENSES, INCLUDING WITHOUT LIMITATION TIME AWAY FROM WORK, HOTELS AND/OR RESTAURANT MEALS, REMODELLING EXPENSES IN EXCESS OF DIRECT DAMAGES WHICH ARE DEFINITELY CAUSED EXCLUSIVELY BY THERMADOR, OR OTHERWISE. SOME STATES DO NOT ALLOW THE EXCLUSION OR LIMITATION OF INCIDENTAL OR CONSEQUENTIAL DAMAGES, AND SOME STATES DO NOT ALLOW LIMITATIONS ON HOW LONG AN IMPLIED WARRANTY LASTS, SO THE ABOVE LIMITATIONS MAY NOT APPLY TO YOU. THIS WARRANTY GIVES YOU SPECIFIC LEGAL RIGHTS, AND YOU MAY ALSO HAVE OTHER RIGHTS WHICH VARY FROM STATE TO STATE.

No attempt to alter, modify or amend this warranty shall be effective unless authorized in writing by an officer of BSH.

THERMADOR® Support

Service

We realize that you have made a considerable investment in your kitchen. We are dedicated to supporting you and your appliance so that you have many years of creative cooking.

Please don't hesitate to contact our STAR® Customer Support Department if you have any questions or in the unlikely event that your THERMADOR® appliance needs service. Our service team is ready to assist you.

www.thermador.com/support

800-735-4328

Parts & Accessories

Parts, filters, descalers, stainless steel cleaners and more can be purchased in the THERMADOR® eShop or by phone.

www.thermador-eshop.com

Thermador ™
REAL INNOVATIONS FOR REAL COOKS™

BSH Home Appliances Corporation, 1901 Main Street Suite 600, Irvine, CA 92614
1-800-735-4328 • www.thermador.com

© BSH Home Appliances Corporation, 2011

MODE D'EMPLOI ET D'ENTRETIEN

MODÈLE:
MD24JS

MicroDrawer™ encastré

Table Des Matières

AIDE À LA CLIENTÈLE	3	AUTRES CARACTÉRISTIQUES	16
PRÉCAUTIONS POUR ÉVITER LE RISQUE D'UNE EXPOSITION AUX MICRO-ONDES	3	KEEP WARM (RÉCHAUD).....	16
IMPORTANTES CONSIGNES DE SÉCURITÉ	4	CUISSON À SÉQUENCES MULTIPLES.....	16
CE QUE VOUS DEVEZ SAVOIR	5	HELP (AIDE)	16
À PROPOS DU DÉBALLAGE ET DE L'INSPECTION DE VOTRE MICRODRAWER™	5	+1 MIN.....	16
INTERFÉRENCE RADIO OU TÉLÉVISION.....	5	RÉGLAGE DE DURÉE EN PLUS OU EN MOINS	16
INSTRUCTIONS POUR LA MISE À LA TERR E	5	VERROUILLAGE DES COMMANDES	17
À PROPOS DE VOTRE MICRODRAWER™	5	SETTINGS (RÉGLAGES)	17
À PROPOS DE LA CUISSON AUX MICRO-ONDES.....	5	SUPPRESSION DU SIGNAL SONORE.....	17
À PROPOS DES USTENSILES ET DES MOYENS DE COUVRIR LES ALIMENTS	6	RAPPEL DE FIN DE CUISSON	17
À PROPOS DE LA SÉCURITÉ	7	AUTO DÉMARRAGE.....	17
À PROPOS DES ENFANTS ET LE FOUR		MODE DE DÉMONSTRATION.....	17
À MICRO-ONDES	7	MODE VEILLE.....	18
À PROPOS DES ALIMENTS	8	NETTOYAGE ET ENTRETIEN	19
NOMENCLATURE DES PIÈCES	9	AVANT D'APPELER POUR UNE RÉPARATION	20
AVANT L'UTILISATION	10	DÉCLARATION DE GARANTIE	
POUR RÉGLER L'HORLOGE	10	LIMITÉE DU PRODUIT	21
TIMER (MINUTERIE)	10	ASSISTANCE DE THERMADOR®	23
STOP/CLEAR (ARRÊT/REMISE À ZÉRO)	10		
OUVERTURE OU FERMETURE DU TIROIR.....	10		
LA CUISSON MICRO-ONDES	11		
TEMPS DE CUISSON.....	11		
POUR RÉGLER LE NIVEAU DE PUISSANCE	11		
RÉGLAGES DES CAPTEURS	11		
SENSOR COOKING (CUISSON AU CAPTEUR).....	12		
POPCORN / SENSOR REHEAT			
(MAÏS SOUFFLÉ / RÉCHAUFFAGE AU CAPTEUR)	12		
DEFROST (DÉCONGÉLATION)	14		
DÉCONGÉLATION MANUELLE	14		
MORE (PLUS)	15		

Aide à la clientèle

Pour toute assistance ultérieure concernant cet appareil, veuillez enregistrer les numéros de modèle et de série situés sur l'unité, et d'autres renseignements pertinents dans les espaces prévus ci-dessous. Veuillez conserver ces renseignements pour référence ultérieure.

Numéro De Modèle _____ Numéro De Série _____

Date D'achat _____ / _____ / _____

Détaillant _____ N° De Téléphone _____

Réparateur _____ N° De Téléphone _____

Pour obtenir le nom et l'adresse du réparateur ou du centre de service autorisé Thermador le plus proche, veuillez contacter :

BSH Home Appliances Corporation

1901 Main Street, Suite 600

Irvine, CA 92614

1-800-735-4328

Veuillez indiquer les renseignements suivants quand vous nous écrivez ou que vous nous appelez : numéro de modèle, numéro de série, date d'achat, votre adresse postale complète (y compris le code postal), le numéro de téléphone où l'on peut vous joindre pendant la journée (avec indicatif régional) et la description du problème.

Website: www.thermador.com

PRÉCAUTIONS POUR ÉVITER LE RISQUE D'UNE EXPOSITION AUX MICRO-ONDES

- (a) Ne pas essayer de faire fonctionner ce four lorsque la porte est ouverte, car le fonctionnement avec la porte ouverte pourrait entraîner une exposition dangereuse aux micro-ondes. Il est essentiel de ne pas rendre inopérant le système de fermeture de sûreté et de ne pas le modifier.
- (b) Ne placer aucun objet entre le cadre et la porte du four et ne pas laisser de saleté ou de traces de produits de nettoyage s'accumuler sur les surfaces d'étanchéité.
- (c) Ne pas utiliser le four s'il est endommagé. Il est particulièrement important que la porte ferme correctement et que les éléments suivants ne présentent pas de défauts : (1) porte (gauchie), (2) charnières et verrous (brisés ou desserrés), (3) joints et surfaces d'étanchéité de la porte.
- (d) Le four ne doit être réglé ou réparé que par un personnel d'entretien qualifié.

IMPORTANTES CONSIGNES DE SÉCURITÉ

LIRE TOUTES LES INSTRUCTIONS AVANT L'EMPLOI

Certaines précautions de sécurité devraient toujours être prises lorsqu'on se sert d'appareils électriques :

AVERTISSEMENT

Pour réduire les risques de brûlures, de chocs électriques, de feu, de blessures ou d'exposition aux micro-ondes :

- 1 Lire toutes les instructions avant de se servir de l'appareil.
- 2 Lire et suivre les **PRÉCAUTIONS POUR ÉVITER LE RISQUE D'UNE EXPOSITION AUX MICRO-ONDES**, à la page 3.
- 3 Cet appareil doit être mis à la terre. Se reporter aux «**INSTRUCTIONS DE MISE À LA TERRE**», page 5.
- 4 Installer ou placer l'appareil conformément aux instructions d'installation fournies.
- 5 Certains produits comme les oeufs entiers et les contenants scellés — par exemple, les pots en verre fermés — peuvent exploser et ne devraient pas être chauffés dans ce four.
- 6 N'utiliser cet appareil qu'aux fins décrites dans ce manuel. Ne pas utiliser de produits corrosifs dans le four à microondes. Ce four a été conçu pour la cuisson et le réchauffage des aliments, non pour un usage industriel ou des travaux en laboratoire.
- 7 Comme pour tout appareil, exercer une surveillance étroite quand des enfants l'utilisent.
- 8 Ne pas faire fonctionner l'appareil si le cordon ou la fiche sont endommagés, si l'appareil ne fonctionne pas bien ou s'il a été endommagé ou est tombé.
- 9 Cet appareil ne doit être réparé que par un personnel de service autorisé. Communiquer avec le service de réparations autorisé Thermador le plus proche pour un examen, une réparation ou un réglage.
- 10 Ne couvrir ou bloquer aucune ouverture de l'appareil.
- 11 Ne pas laisser ni utiliser cet appareil à l'extérieur. Ne pas utiliser à proximité de l'eau ou dans un endroit très humide, près d'un évier, d'une piscine ou dans un sous-sol.
- 12 Ne pas immerger le cordon ou la fiche dans l'eau.
- 13 Garder le cordon loin des surfaces chauffées.
- 14 Ne pas monter ou s'asseoir sur de l'appareil.
- 15 Assurez-vous de ne pas tenir vos doigts ou autres objets ou matériaux près de l'ouverture du tiroir quand le l'appareil est fermé.
- 16 Ne pas placer les doigts ou des vêtements près des glissières du tiroir lors de l'ouverture ou de la fermeture du l'appareil. Il pourrait être pris dans les glissières lors de la fermeture du tiroir.
- 17 Vérifier que la nourriture ou le contenant sont plus petits que le tiroir avant de le fermer. Vous pouvez vous reporter à la hauteur des parois latérales cet appareil.
- 18 Lors du nettoyage des surfaces d'étanchéité qui viennent en contact lors de la fermeture l'appareil, utiliser uniquement des savons ou des détergents doux non abrasifs à l'aide d'une éponge ou d'un chiffon doux. Voir les consignes de nettoyage à la page 19.
- 19 Pour réduire le risque d'incendie dans la cavité du l'appareil :
 - a Ne pas trop faire cuire les aliments. Rester prudemment près du four lorsqu'on utilise du papier, du plastique ou tout autre matériel combustible pour faciliter la cuisson.
 - b Retirer les attaches de métal des sacs de papoer ou de plastique avant de mettre les sacs au four.
 - c Si les matériaux à l'intérieur du l'appareil prennent feu, garder la porte du four fermée, arrêter le four et couper l'électricité au fusible ou au panneau d'entrée.
 - d Ne pas utiliser la cavité comme espace de rangement. Ne laisser ni papier, ni ustensiles de cuisson, ni aliments dans l'appareil lorsque l'appareil n'est pas utilisé.
- 20 Des liquides comme l'eau, le café ou le thé peuvent chauffer au-delà du point d'ébullition sans qu'aucun bouillonnement n'apparaisse à cause de la tension de surface du liquide. Ainsi, quand le contenant est retiré du l'appareil, il peut ne pas y avoir d'ébullition ou de bouillonnement apparents. **IL PEUT EN RÉSULTER UN DÉBORDEMENT DES LIQUIDES TRÈS CHAUDS LORSQU'UNE CUILLER OU UN AUTRE USTENSILE EST PLONGÉ DANS LE LIQUIDE.**

Pour réduire le risque de blessures personnelles :

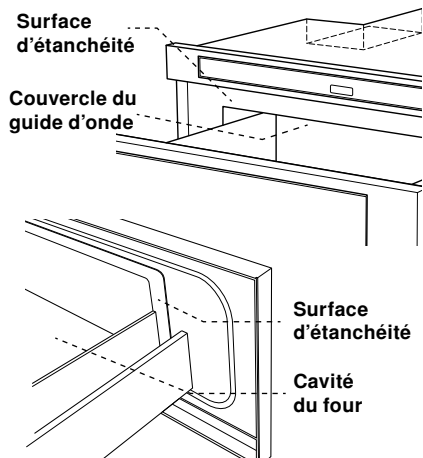
 - a Ne pas trop chauffer le liquide.
 - b Remuer le liquide et avant de le chauffer et à mi-cuisson.
 - c Ne pas utiliser de contenants à bords droits et à goulot mince. Utiliser un bocal à large goulot.
 - d Après le chauffage, laisser reposer le contenant dans le four à l'appareil pour au moins 20 secondes avant de le retirer.
 - e Faire très attention lorsque vous mettez une cuiller ou un autre ustensile dans le contenant.
- 21 Si la lumière l'appareil manque, consulter un **RÉPARATEUR THERMADOR AUTORISÉ.**

Ce Que Vous Devez Savoir

À PROPOS DU DÉBALLAGE ET DE L'INSPECTION DE VOTRE MICRODRAWER™

1 d'emballage de l'intérieur du Micro-Drawer™. NE PAS RETIRER LE GUIDE D'ONDES qui est situé au plafond du the MicroDrawer™.

2 Retirer l'étiquette des caractéristiques, s'il y en a une. Vérifier que le four n'a aucun dommage, comme un tiroir mal aligné ou plié, des joints ou des surfaces d'étanchéité de porte endommagés, des glissières cassées ou lâches et des bosses à l'intérieur de la cavité ou sur la façade du tiroir. En cas de dommages, ne pas faire fonctionner le MicroDrawer™ et contacter votre détaillant ou un RÉPARATEUR AUTORISÉ THERMADOR.



À PROPOS DE VOTRE MICRODRAWER™

Veiller à ce qu'il y ait TOUJOURS des aliments dans le tiroir lorsqu'il fonctionne, de sorte qu'ils absorbent l'énergie microonde.

L'évent sous le four doit toujours être dégagé. Pendant la cuisson aux micro-ondes, de la vapeur peut s'échapper par le côté droit de l'évent.

Quand on utilise le MicroDrawer™ à des niveaux de puissance inférieurs à 100 %, on peut entendre la mise en marche et l'arrêt du magnétron. Il est normal que l'extérieur du tiroir soit chaud au toucher pendant la cuisson ou le réchauffage.

La condensation est un phénomène normal pendant la cuisson aux micro-ondes. L'humidité ambiante et la teneur en eau des aliments déterminent le degré de condensation à l'intérieur du tiroir. En règle générale, les aliments couverts produisent moins de condensation que ceux cuits à découvert.

Le MicroDrawer™ n'est conçu que pour la préparation des aliments. Il ne doit pas servir à faire sécher des vêtements ou des journaux.

La puissance nominale de ce four est égale à 950 watts selon la méthode d'essai IEC. Vérifier la cuisson des aliments une minute ou deux avant l'expiration du temps minimum indiqué sur les recettes et les emballages et, s'il y a lieu, augmenter le temps de cuisson.

Lors d'une ouverture ou d'une fermeture rapide du Micro-Drawer™, de la nourriture peut être renversée dans le tiroir. Pour nettoyer, veuillez vous reporter au chapitre Nettoyage et entretien à la page 19.

Un bon livre de cuisine aux micro-ondes est très utile. Il présente les principes, les techniques, des conseils et des recettes de cuisine aux micro-ondes.

À PROPOS DE LA CUISSON AUX MICRO-ONDES

- Disposer les aliments avec soin. Placer la partie la plus épaisse des aliments vers l'extérieur du plat.
- Surveiller le temps de cuisson. Cuire les aliments pendant la plus courte période indiquée et prolonger la cuisson au besoin. Des aliments trop cuits peuvent dégager de la fumée ou prendre feu.
- Recouvrir les aliments pendant la cuisson. Selon la recette ou le livre de cuisine, utiliser un essuie-tout, du papier ciré, un film plastique allant au micro-ondes ou un couvercle. Couvrir les aliments empêche les éclaboussures et assure une cuisson égale.
- Protéger les parties de viande ou de volaille très minces par des petits écrans en papier d'aluminium pour éviter qu'ils ne cuisent trop vite par rapport aux parties plus épaisses.

INTERFÉRENCE RADIO OU TÉLÉVISION

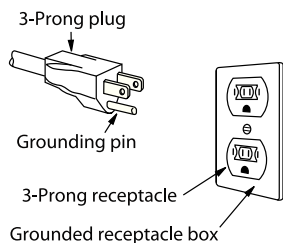
Si le MicroDrawer™ provoque de l'interférence avec la radio ou la télévision, vérifier qu'il est branché sur un circuit électrique indépendant, en éloigner la radio ou le téléviseur le plus possible et vérifier la position et le signal de l'antenne de réception.

INSTRUCTIONS POUR LA MISE À LA TERRE

• Cet appareil doit être mis à la terre. Ce four est équipé d'un cordon d'alimentation avec fil de mise à la terre, et d'une fiche de mise à la terre. Il faut le brancher dans une prise murale qui a été installée correctement et mise à la terre selon le Code national de l'électricité et les codes et décrets locaux. En cas de court-circuit électrique, la mise à la terre réduit les risques de choc électrique en permettant au courant de s'échapper par le fil de mise à la terre.

• **⚠ AVERTISSEMENT** – Un mauvais usage de la prise de terre peut causer des chocs électriques. N'employez pas une rallonge. Si le cordon d'alimentation est trop court, demander à un électricien ou un réparateur qualifié de poser une prise près de l'appareil.

Permanent and Correct Installation



• Si vous avez des questions à propos de l'installation électrique ou de la mise à la terre, consultez un électricien de métier ou un réparateur qualifié.

Ce Que Vous Devez Savoir

- Si possible, remuer les aliments de l'extérieur du plat vers le centre une ou deux fois pendant la cuisson.
- Retourner les aliments comme du poulet et des hamburgers une fois au cours de la cuisson afin d'accélérer le processus. Il faut retourner les grosses pièces comme les rôtis au moins une fois.
- À la mi-cuisson, déplacer les aliments comme les boulettes de viande du haut vers le bas et de droite à gauche.
- Ajouter du temps de repos. Retirer les aliments du four et, si possible, les remuer. Couvrir les aliments pendant ce temps pour en finir la cuisson. Vérifier que les aliments sont bien cuits. Rechercher les signes qui indiquent que les températures de cuisson ont été atteintes.
- Vérifiez si les aliments sont cuits. Vérifiez les signes qui indiquent que les aliments sont cuits à point. Ces signes incluent :
 - Tout l'aliment produit de la vapeur, pas seulement les extrémités.
 - La partie centrale et inférieure du plat est très chaude au toucher.
 - Les articulations de la volaille bougent facilement.
 - La viande et le poulet ne sont plus roses.
 - Le poisson est opaque et les morceaux se détachent facilement.

À PROPOS DES USTENSILES ET DES MOYENS DE COUVRIR LES ALIMENTS

Il n'est pas nécessaire d'acheter une nouvelle batterie de cuisine. La plupart des ustensiles de votre cuisine peuvent être utilisés dans votre nouveau four à micro-ondes. S'assurer que les ustensiles ne touchent pas les parois intérieures pendant la cuisson.

Se servir de ces ustensiles pour cuire et réchauffer sans danger aux micro-ondes :

- La vitrocéramique (Pyroceram®), comme Corningware®.
- Le verre résistant à la chaleur (Pyrex®)
- Les plastiques pour micro-ondes
- Les assiettes en papier pour micro-ondes
- La céramique, la poterie, la porcelaine pour micro-ondes
- Les plats à brunir (ne pas dépasser pas les temps de préchauffage recommandés. Suivre les directives du fabricant).

Les articles suivants peuvent être utilisés pour le réchauffage très court des aliments qui contiennent peu de sucre ou de graisses :

- Le bois, la paille et l'osier

NE PAS UTILISER

- De casseroles et de plats de cuisson métalliques
- De plats à bordure métallique
- Du verre qui ne résiste pas à la chaleur
- De plastiques ne convenant pas aux micro-ondes (contenants de margarine)
- De produits en papier recyclé
- De sacs en papier brun
- De sacs pour la conservation des aliments
- D'attaches métalliques

Pour vérifier si un plat va au four à micro-ondes, le placer dans le four et mettre le four en marche à la puissance maximale pendant 30 secondes. Si le plat devient très chaud, il ne faut pas l'employer.

Les articles suivants sont idéaux pour couvrir :

- Les essuie-tout conviennent bien pour recouvrir les aliments pendant le réchauffage et pour absorber la graisse de cuisson du bacon.
- Le papier ciré peut être employé pour la cuisson et le réchauffage.
- Le film plastique destiné spécialement à l'usage aux microondes peut être utilisé pour la cuisson et le réchauffage. Le film plastique ne doit JAMAIS entrer en contact avec les aliments. Percer le film pour laisser échapper la vapeur.
- Les contenants pour micro-ondes sont un très bon choix, car ils concentrent la chaleur sur les aliments et accélèrent la cuisson.
- Les sacs de cuisson au four conviennent pour les grosses pièces de viande ou les aliments à attendre. NE PAS SE SERVIR d'attaches métalliques. Ne pas oublier de percer le sac pour laisser échapper la vapeur.

Comment se servir du papier aluminium dans votre MicroDrawer™:

- De petits morceaux non froissés de papier aluminium posés sur les aliments peuvent servir à protéger les parties qui décongèlent ou cuisent trop rapidement.
- Le papier d'aluminium doit être gardé au moins 2,5 cm des surfaces du MicroDrawer™.

ACCESSORIES De nombreux accessoires pour four à micro-ondes sont offerts sur le marché. Évaluer soigneusement vos besoins avant d'en faire l'acquisition. Un thermomètre pour micro-ondes permettra de vérifier la cuisson à point et de s'assurer que les aliments ont été cuits à la bonne température. Thermador n'est pas responsable des dommages au tiroir résultant de l'utilisation d'accessoires.

Ce Que Vous Devez Savoir

À PROPOS DE LA SÉCURITÉ

- Inspecter les aliments pour voir s'ils ont été cuits aux températures recommandées par le ministère de l'agriculture des États-Unis.

63° C (145° F)	-	Poisson
71° C (160° F)	-	Porc, boeuf haché / veau / agneau, plats aux oeufs
74° C (165° F)	-	Pour les restes, les aliments réfrigérés prêts-à-réchauffer, et les aliments frais d'un traiteur ou l'équivalent. Volaille, morceaux et dinde hachée / poulet / canard.

Pour vérifier si les aliments sont cuits à point, insérer un thermomètre à viande dans une partie épaisse, à l'écart de la graisse et des os. Ne JAMAIS laisser le thermomètre dans les aliments qui cuisent, sauf s'il est approuvé pour emploi aux micro-ondes.

- TOUJOURS utiliser des gants isolants pour éviter des brûlures lorsque l'on se sert d'ustensiles en contact avec des aliments chauds. Assez de chaleur des aliments peut être transféré aux ustensiles pour provoquer des brûlures de la peau.
- Diriger la vapeur loin du visage et des mains afin d'éviter des brûlures. Soulever doucement la partie la plus éloignée des couvercles et des pellicules et ouvrir lentement les sacs de maïs soufflé ou de cuisson en les tenant loin du visage.
- Rester près du four quand il fonctionne et vérifier fréquemment la cuisson afin d'éviter de trop cuire les aliments.
- Ne JAMAIS entreposer des livres de cuisine ou autres objets dans le MicroDrawer™.
- Choisir, entreposer et manipuler la nourriture de manière à préserver sa qualité et de minimiser la prolifération de bactéries alimentaires.
- Garder propre le couvercle du guide d'ondes. Les résidus d'aliments peuvent causer des étincelles ou s'enflammer. Voir page 17.

À PROPOS DES ENFANTS ET LE FOUR À MICRO-ONDES

Les enfants de moins de 7 ans ne devraient utiliser le MicroDrawer™ que sous la surveillance attentive d'un adulte. Pour les enfants de 7 à 12 ans, l'adulte surveillant doit se trouver dans la même pièce qu'eux. L'enfant doit pouvoir accéder facilement au tiroir.

Jamais personne ne doit être autorisé à s'appuyer ou à s'asseoir sur le MicroDrawer™.

Il faut enseigner les mesures de sécurité aux enfants : Employer des gants isolants, enlever les couvercles avec précaution, faire très attention aux contenants d'aliments à forte teneur en eau ou en graisse parce qu'ils peuvent devenir très chauds.

Ne pas présumer qu'un enfant qui connaît bien une fonction de l'appareil peut cuire n'importe quoi.

Les enfants doivent apprendre que le MicroDrawer™ n'est pas un jouet. Voir à la page 17 la caractéristique du verrouillage des commandes.

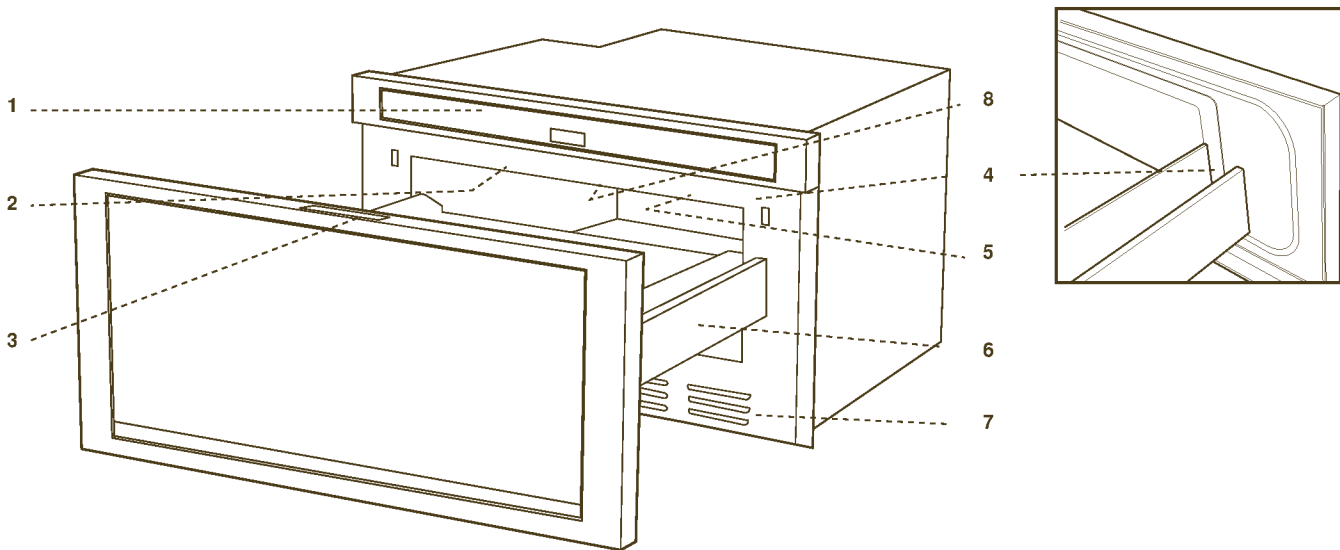
Ce Que Vous Devez Savoir

À PROPOS DES ALIMENTS

ALIMENTS	À FAIRE	À NE PAS FAIRE
Oeufs, saucisses, fruits et légumes	<ul style="list-style-type: none">• Percer les jaunes d'oeufs avant la cuisson pour empêcher une « explosion ».• Percer la peau des pommes de terre, des pommes, des courges, des hot dogs et des saucisses pour que la vapeur s'échappe.	<ul style="list-style-type: none">• Cuire les oeufs dans leur coquille.• Réchauffer des oeufs entiers.• Sécher des noix ou des graines dans leur coquille.
Maïs soufflé	<ul style="list-style-type: none">• Utiliser du maïs soufflé en sac pour microonde.• Porter attention à l'éclatement du maïs pour que celui-ci ralentisse à 1 ou 2 secondes ou utiliser la touche POPCORN.	<ul style="list-style-type: none">• Faire éclater du maïs soufflé dans des sacs en papier ordinaires ou des bols de verre.• Dépasser le temps maximal inscrit sur le paquet de maïs soufflé.
Aliments pour bébé	<ul style="list-style-type: none">• Transférer les aliments pour bébé dans un plat plus petit et chauffer prudemment en remuant souvent. Vérifier la température avant de servir.• Mettre les tétines sur les bouteilles après le réchauffage et bien agiter. Essayer sur le poignet avant de nourrir.	<ul style="list-style-type: none">• Chauffer les bouteilles jetables.• Chauffer les bouteilles avec les tétines.• Chauffer les aliments pour bébé dans les pots d'origine.
Général	<ul style="list-style-type: none">• Couper les aliments avec garniture après chauffage pour relâcher la vapeur et éviter les brûlures.• Remuer vivement les liquides avant et après chauffage pour empêcher une « éruption ».• Se servir d'un bol profond pour cuire des liquides ou des céréales pour empêcher les débordements.• Les aliments doivent être plus petits que le tiroir à micro-ondes. Ne dépassez pas la hauteur des parois latérales du tiroir.	<ul style="list-style-type: none">• Chauffer ou cuire dans des pots de verre fermés ou des contenants hermétiques.• Préparer des aliments en conserve dans le micro-onde car des bactéries dangereuses pourraient ne pas être détruites.• Faire frire de la graisse épaisse.• Sécher du bois, des gourdes, des herbes ou des papiers humides.

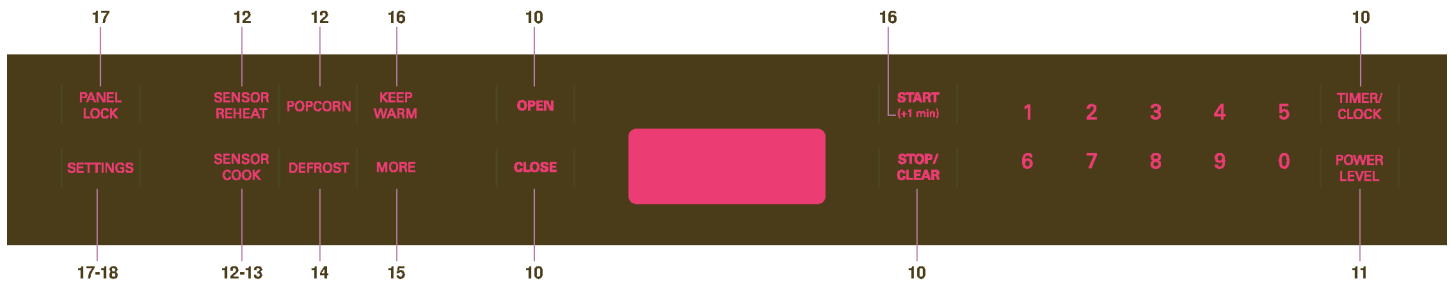
Nomenclature Des Pièces

MICRODRAWER™



- 1 Panneau de commande
- 2 Couvercle du guide d'ondes
NE PAS ENLEVER
- 3 Aide-mémoire
- 4 Surfaces d'étanchéité du tiroir
- 5 Lumière du tiroir
- 6 Glissières du tiroir
- 7 Événement
- 8 Étiquette des caractéristiques nominales : Ouvrir le tiroir à micro-ondes complètement. L'étiquette est juste au-delà de la paroi arrière de la cavité du four à micro-ondes, face vers le haut, sur la surface plate.

SCHÉMA DES TOUCHES



Les chiffres à côté de l'illustration des touches indiquent les pages où on retrouve la description des caractéristiques et les renseignements concernant l'utilisation.

AIDE-MÉMOIRE

SENSOR COOK		DEFROST	MORE
1 Fresh Vegetables: Quick	6 Sweet Potatoes	1 Ground Meat	1 Reheat Fresh Rolls / Muffins
2 Fresh Vegetables: Longer	7 Ground Meat	2 Steaks/Chops	2 Reheat Frozen Rolls / Muffins
3 Frozen Vegetables	8 Fish/Seafood	3 Boneless Poultry	3 Reheat Beverage
4 Frozen Entrees	9 White Rice	4 Bone-in Poultry	4 Hot Water
5 Baked Potatoes	10 Brown Rice	5 Roast	5 Melt Butter
		6 Casserole or Soup	6 Melt Chocolate
			7 Soften Ice Cream
			8 Soften Cream Cheese
			9 Warm Syrup
			10 Warm Dessert Topping

TLAB-B062MRR0

Avant l'utilisation

Avant d'utiliser votre nouveau MicroDrawer™, prendre la peine de lire et de comprendre intégralement ce mode d'emploi.

- Avant d'utiliser le MicroDrawer™, procéder ainsi :

- 1 Brancher le the MicroDrawer™. **ENJOY** **YOUR** **MICRO-**
WAVE **TOUCH** **CLEAR** **AND** **TOUCH** **CLOCK**
s'affichera.
- 2 Appuyer sur la touche **STOP/CLEAR**. **:** s'affiche.
- 3 Régler l'horloge.

POUR RÉGLER L'HORLOGE

- 1 Appuyer sur la touche **TIMER/CLOCK** et sur **[1]**.
- 2 Appuyer sur les chiffres pour corriger l'heure du jour et appuyer de nouveau sur **TIMER/CLOCK**.

Cette horloge a un cycle de 12 heures. En cas d'entrée d'une heure invalide, **ERROR** s'affichera. Appuyer sur la touche **STOP/CLEAR** et entrer à nouveau l'heure.

- Si l'alimentation électrique du four à micro-ondes est coupée, **ENJOY** **YOUR** **MICRO-** **WAVE** **TOUCH**
CLEAR **AND** **TOUCH** **CLOCK** s'affichera et clignotera dès que l'alimentation sera rétablie. Si cela se produit durant la cuisson, la programmation sera effacée. L'heure aussi sera effacée. Appuyer simplement sur la touche **STOP/CLEAR** et remettre l'horloge à l'heure.

Remarque :

- Le MicroDrawer™ peut être programmé avec le tiroir ouvert sauf pour **START (+1 min)**.

TIMER (MINUTERIE)

- 1 Appuyer sur la touche **TIMER/CLOCK** et sur **[1]**.
- 2 Entrer l'heure.
- 3 Appuyer à nouveau sur la touche **TIMER/CLOCK**.

Pour annuler la minuterie appuyer sur **STOP/CLEAR**.

STOP/CLEAR (ARRÊT/REMISE À ZÉRO)

Appuyer sur la touche **STOP/CLEAR** pour:

- Effacer une erreur durant la programmation.
- Annuler la minuterie.
- Arrêter le fonctionnement temporairement durant la cuisson.
- Afficher à nouveau l'heure.
- Annuler un programme durant la cuisson, appuyer deux fois.

OUVERTURE OU FERMETURE DU TIROIR

Toujours appuyer sur la touche **OPEN** ou **CLOSE** sur le panneau de commande pour ouvrir ou fermer le tiroir.

Ne pas pousser ni tirer le tiroir à la main, sauf en cas d'urgence, comme lors d'une panne de courant. Au besoin, pousser ou tirer lentement.

La Cuisson Micro-ondes

TEMPS DE CUISSON

Votre MicroDrawer™ peut être programmé pour 99 minutes 99 secondes (99.99). Toujours entrer les secondes après les minutes même si les deux sont égales à zéro.

- Supposons que l'on veuille faire cuire pendant 5 minutes à 100 %.

1 Entrer le temps de cuisson .

2 Pour cuire à la puissance 100 % (élevée), appuyer sur la touche **START (+1 min)**.

POUR RÉGLER LE NIVEAU DE PUISSANCE

Onze niveaux de puissance sont prévus.

Plus le niveau de puissance est faible, plus le temps de cuisson est long, ce qui est conseillé pour les aliments tels que le fromage, le lait ou les viandes qui exigent une cuisson lente. Consulter un livre de cuisine ou de recettes pour chaque cas particulier.

- Supposons que l'on veuille décongeler pendant 5 minutes à 30 %.

1 Entrer le temps de décongélation .

2 Appuyer 8 fois sur la touche **POWER LEVEL**.

3 Appuyer sur **START (+1 min)**.

APPUYER SUR LA TOUCHE POWERLEVEL JUSQU'À CE QUE LE NIVEAU DE PUISSANCE DÉSIRÉ S'AFFICHE	POURCENTAGE APPROXIMATIF DE LA PUISSANCE	NOMS DONNÉS AUX NIVEAUX DE PUISSANCE
POWER LEVEL x 1	100%	Elevée
POWER LEVEL x 2	90%	
POWER LEVEL x 3	80%	
POWER LEVEL x 4	70%	À demi élevée
POWER LEVEL x 5	60%	
POWER LEVEL x 6	50%	Moyen
POWER LEVEL x 7	40%	
POWER LEVEL x 8	30%	Moyen faible/ Décongélation
POWER LEVEL x 9	20%	
POWER LEVEL x 10	10%	Faible
POWER LEVEL x 11	0%	

RÉGLAGES DES CAPTEURS

Le capteur de Thermador est un dispositif à semi-conducteur qui décèle la vapeur/humidité émise par les aliments lorsqu'ils sont chauffés. Le capteur permet de régler les durées de cuisson et les niveaux de puissance selon les divers aliments et leur quantité.

UTILISATION DES RÉGLAGES DU CAPTEUR :

- Après le branchement du MicroDrawer™, attendre 2 minutes avant d'utiliser un réglage du capteur.
- S'assurer que l'extérieur du récipient de cuisson et l'intérieur du MicroDrawer™ sont secs. Essuyer toute trace d'humidité avec un chiffon sec ou un essuie-tout.
- Le capteur fonctionne pour les aliments conservés à la température de rangement normale. Par exemple, le maïs soufflé devrait être à la température de la pièce.
- Toute sélection du capteur peut être programmée avec réglage de durée en plus ou en moins. Voir page 15.
- Si la quantité d'aliments est inférieure ou supérieure à celle des tableaux, il faut cuire selon les directives d'un livre de cuisine aux micro-ondes.
- Au cours de la première période d'utilisation du capteur, le nom de l'aliment s'affichera. Ne pas ouvrir la porte du MicroDrawer™, ni appuyer sur la touche **STOP/CLEAR** au cours de cette période, car cela provoquerait l'interruption de la mesure du degré d'humidité. Dans un tel cas, un message d'erreur s'affichera. Pour poursuivre la cuisson, appuyer sur la touche **STOP/CLEAR** et cuire en mode manuel.

Quand le capteur détectera la vapeur émise par les aliments, le temps de cuisson/réchauffage restant s'affichera. On peut ouvrir le MicroDrawer™ lorsque le temps de cuisson restant s'affiche à l'écran. À ce moment-là, on peut aussi remuer les aliments et les assaisonner, au goût.
- À part le maïs soufflé, si le capteur ne détecte pas la vapeur de manière adéquate à la cuisson d'autres aliments, s'affichera et le four à micro-ondes se mettra hors tension.
- Vérifier la température des aliments après cuisson. S'il faut plus de temps, continuer à cuire en mode manuel.
- Il existe un conseil de cuisson pour chaque aliment. Appuyer sur la touche **SETTINGS** quand l'indicateur **HELP** est allumé sur l'afficheur.

La Cuisson Micro-ondes

MANIÈRES DE COUVRIR LES ALIMENTS :

Certains aliments cuisent mieux lorsqu'ils sont couverts. Se servir des couvercles recommandés dans les tableaux pour ces aliments. Vous pouvez vous reporter aux conseils en appuyant sur la touche **SETTINGS**. Voir page 16.

- 1 Couvercle.
- 2 Film plastique : Utiliser un film plastique recommandé pour la cuisson aux micro-ondes. Couvrir le plat sans serrer et en conservant une ouverture de 1,25 cm (1/2 po) de manière à ce que la vapeur puisse s'échapper. Le film plastique ne doit pas entrer en contact avec les aliments.
- 3 Papier ciré : Couvrir entièrement le plat et replier le papier sous le plat de manière à ce qu'il ne bouge pas. Si le plat est plus large que le papier, utiliser deux morceaux de papier se chevauchant d'au moins 2,5 cm (1 po).

Faire attention en retirant l'élément couvrant les aliments de laisser la vapeur échapper loin de vous.

POPCORN / SENSOR REHEAT (MAÏS SOUFLÉ / RÉCHAUFFAGE AU CAPTEUR)

Vous pouvez faire éclater du maïs ou réchauffer de nombreux aliments sans avoir besoin de calculer le temps de cuisson ou le niveau de puissance.

Appuyer sur **SENSOR REHEAT** ou **POPCORN** puis sur la touche **START (+1 min)**.

Quand le capteur détectera la vapeur émise par les aliments, le temps restant de cuisson/réchauffage s'affichera.

Remarque :

- Il y a 2 choix pour le réglage du maïs soufflé au capteur. Suivre les instructions sur l'afficheur pour choisir l'option désirée.

TABLEAU DE POPCORN / SENSOR REHEAT

ALIMENTS	QUANTITÉ	MARCHE À SUIVRE
POPCORN (Maïs soufflé)	1 paquet à la fois	N'utiliser que du maïs soufflé emballé pour micro-ondes. Essayer plusieurs marques et choisir celle qui vous plait. Ne pas tenter de souffler les grains qui n'ont pas éclaté.
	2,85 - 3,5 oz. (Régulier / Régulier léger)	Appuyer une fois sur POPCORN .
	1,2 - 1,75 oz. (Mini / Collation)	Appuyer deux fois sur POPCORN .
SENSOR REHEAT (Réchauffage par capteur)	4 - 36 oz.	Mettre dans un plat ou une casserole un peu plus grande que la quantité à réchauffer. Aplatir si possible. Couvrir avec un couvercle, film plastique ou un papier ciré. Couvrir avec du film plastique ou des couvercles pour de plus grandes quantités d'aliments plus denses comme les ragoûts. Si possible, bien remuer après réchauffage. Couvrir à nouveau et laisser reposer 2 à 3 minutes. Les aliments devraient être très chauds. Dans le cas contraire, continuer à chauffer avec une puissance et une durée variables.

SENSOR COOKING (CUISSON AU CAPTEUR)

- 1 Appuyer une fois sur la touche **SENSOR COOK**.
- 2 Voir l'aide-mémoire. Choisir un aliment en appuyant sur un chiffre. Ex : Appuyer fois pour des pommes terre au four.
- 3 Appuyer sur **START (+1 min)**.

Remarque :

- Pour réchauffer d'autres aliments ou des aliments en quantités inférieure ou supérieure à celles permises sur le TABLEAU DE SENSOR COOK, cuire en mode manuel.

La Cuisson Micro-ondes

TABLEAU DE SENSOR COOK

ALIMENTS	QUANTITÉ	MARCHE À SUIVRE															
1 Légumes frais : rapide																	
Brocoli	0,25 - 2,0 lb.	Laver et mettre dans une casserole. Ne pas ajouter d'eau si les légumes viennent d'être rincés. Couvrir avec un couvercle pour obtenir des légumes tendres. Utiliser un film plastique pour obtenir des légumes tendres mais croustillants. Après la cuisson, remuer si possible, Laisser reposer, à couvert, 2 à 5 minutes.															
Choux de Bruxelles	0,25 - 2,0 lb.																
Choux	0,25 - 2,0 lb.																
Chou-fleur (en bouquet)	0,25 - 2,0 lb.																
Chou-fleur (entier)	1 moyen																
Épinards	0,25 - 1,0 lb.																
Courgettes	0,25 - 2,0 lb.																
Pommes au four	2 - 4 moyen																
2 Légumes frais : plus longtemps																	
Carottes, tranchées	0,25 - 1,5 lb.	Mettre dans une casserole. Ajouter 1 à 4 c. à soupe d'eau. Couvrir avec un couvercle pour obtenir des légumes tendres. Utiliser un film plastique pour obtenir des légumes tendres mais croustillants. Après la cuisson, remuer si possible, Laisser reposer, à couvert, 2 à 5 minutes.															
Maïs en épi	2 - 4																
Haricots verts	0,25 - 1,5 lb.																
Courge d'hiver :																	
en dés	0,25 - 1,5 lb.																
en moitié	1 - 2																
3 Légumes congelés	0,25 - 1,25 lb.	Ne pas ajouter d'eau. Couvrir avec un couvercle ou un film plastique. Après la cuisson, remuer et laisser reposer, à couvert, 3 minutes.															
4 Plats congelés	6 - 17 oz.	Utiliser cette touche pour les plats prêt-à-servir congelés. Cela donnera des résultats satisfaisants avec la plupart des marques. Peut-être voudrez-vous en essayer plusieurs et choisir votre préféré. Retirer le plat de l'emballage extérieur et suivre les indications pour le recouvrement du plat. Après la cuisson, laisser reposer, à couvert, 1 à 3 minutes.															
5 Pommes terre au four	1 - 6 moyen	Les piquer. Les placer sur un essuie-tout au fond du tiroir. Après la cuisson, les retirer du four, les envelopper dans une feuille d'aluminium et les laisser reposer pendant 5 à 10 minutes.															
6 Patates	1 - 6 moyen																
7 Viande hachée	0,25 - 2,0 lb.	Utiliser ce réglage pour cuire du boeuf ou de la dinde hachés en fricadelles ou en cocotte avec d'autres ingrédients. Placer les fricadelles sur une grille transparente aux microondes et couvrir de papier ciré. Placer la viande hachée dans une cocotte et couvrir avec du papier ciré ou du film plastique. Quand le four s'arrête, retourner les fricadelles ou mélanger la viande dans la cocotte pour séparer les gros morceaux. Recouvrir et appuyer sur START (+1 min) . Après la cuisson, laisser reposer, à couvert, 2 à 3 minutes.															
8 Poisson/Fruits de mer	0,25 - 2,0 lb.	Disposer en anneau autour d'un plat en verre peu profond (rouler le filet en mettant les bords en dessous). Couvrir avec du film plastique ventilé. Après la cuisson, laisser reposer, à couvert, 3 minutes.															
9 Riz blanc	0,5 - 2,0 tasses	Placer le riz dans une cocotte profonde et ajouter le double d'eau. Couvrir avec un couvercle ou un film plastique. Après la cuisson, remuer, couvrir et laisser reposer de 3 à 5 minutes ou jusqu'à ce que tout le liquide ait été absorbé.															
10 Riz brun	0,5 - 2,0 tasses																
		<table border="0"> <thead> <tr> <th>Riz</th> <th>Eau</th> <th>Taille de la casserole</th> </tr> </thead> <tbody> <tr> <td>0,5 tasse</td> <td>1 tasse.....</td> <td>1.5 pinte</td> </tr> <tr> <td>1 tasse</td> <td>2 tasses.....</td> <td>2 pinte</td> </tr> <tr> <td>1,5 tasses.....</td> <td>3 tasses.....</td> <td>2,5 ou 3 pinte</td> </tr> <tr> <td>2 tasses</td> <td>4 tasses.....</td> <td>3 pinte ou plus</td> </tr> </tbody> </table>	Riz	Eau	Taille de la casserole	0,5 tasse	1 tasse.....	1.5 pinte	1 tasse	2 tasses.....	2 pinte	1,5 tasses.....	3 tasses.....	2,5 ou 3 pinte	2 tasses	4 tasses.....	3 pinte ou plus
Riz	Eau	Taille de la casserole															
0,5 tasse	1 tasse.....	1.5 pinte															
1 tasse	2 tasses.....	2 pinte															
1,5 tasses.....	3 tasses.....	2,5 ou 3 pinte															
2 tasses	4 tasses.....	3 pinte ou plus															

La Cuisson Micro-ondes

DEFROST (DÉCONGÉLATION)

Utiliser cette caractéristique pour décongeler les aliments indiqués dans le TABLEAU DE DEFROST.

1 Appuyer sur la touche **DEFROST**.

SEE LABEL SELECT FOOD NUMBER

2 Voir l'aide-mémoire 2 Choisir l'aliment désirée en appuyant sur un chiffre.

Ex : Appuyer sur **2** les biftecks ou les côtelettes.

STEAKS CHOPS ENTER WEIGHT

3 Entrer le poids en appuyant sur les chiffres. **1.0Lb**

4 Appuyer sur **START (+1 min)**.

Le four d'arrête pour que vous puissiez inspecter l'aliment.

5 Après la première étape, ouvrir le MicroDrawer™. Retourner le bifteck et masquer les parties chaudes. Fermer le tiroir. Appuyer sur **START (+1 min)**.

- 6 Après la deuxième étape, ouvrir le MicroDrawer™. Masquer tout les parties chaudes. Fermer le tiroir. Appuyer sur **START (+1 min)**.
- 7 À la fin du cycle de décongélation, masquer et laisser reposer comme indiqué dans le tableau ci-dessous.

Remarque :

- Defrost peut être programmé avec réglage de durée en plus ou en moins. Voir page 15.
- Pour décongeler d'autres aliments dont le poids est supérieur ou inférieur à celui autorisé au TABLEAU DE DEFROST, voir la DÉCONGÉLATION MANUELLE.
- Inspecter les aliments au signal du four. Après l'étape finale, de petites sections peuvent être encore gelées. Laisser reposer pour que le dégel se poursuive. Ne pas décongeler avant que tous les cristaux de glace soient fondus.
- Le masquage empêche que la cuisson ait lieu avant que le centre de l'aliment ne soit dégelé. Utiliser de petites bandes souples de papier d'aluminium pour couvrir les bords et les parties les moins épaisses de l'aliment.

TABLEAU DE DEFROST

ALIMENTS	QUANTITÉ	MARCHE À SUIVRE
1 Viande hachée	0,5 - 2,0 lb	Retirer les parties dégelées après chaque signal sonore. Laisser reposer, à couvert, 5 à 10 minutes.
2 Biftecks/ Côtelettes	0,5 - 3,0 lb	Après chaque signal sonore, changer la disposition des aliments et masquer les parties chaudes ou dégelées au moyen de bandes de papier d'aluminium. Retirer la viande ou le poisson presque entièrement dégelés. Laisser reposer, à couvert, 10 à 20 minutes.
3 Poulet désossé	0,5 - 2,0 lb	Après chaque signal sonore, s'il y a des morceaux chauds ou dégelés, changer la disposition ou retirer. Laisser reposer, à couvert, 10 à 20 minutes.
4 Poulet avec les os	0,5 - 3,0 lb	Après chaque signal sonore, changer la disposition ou retirer les morceaux. s'il sont chauds ou dégelés Laisser reposer, à couvert, 10 à 20 minutes.
5 Rôti	2,0 -4,0 lb	Commencer par dégivrer, avec les parties grasses en dessous. Après chaque étape, retourner le rôti et recouvrir les parties chaudes de morceaux de feuille d'aluminium. Laisser reposer, à couvert, pour 30 à 60 minutes.
6 Casserole Soupe	2 - 6 tasses 1 - 6 tasses	Après chaque signal sonore, briser en morceaux et retirer ce qui est dégelé. À la fin, bien remuer et laisser reposer, couvert, pendant 5 à 10 minutes.

DÉCONGÉLATION MANUELLE

Si les aliments que vous voulez décongeler ne sont pas dans le TABLEAU DE DEFROST, ou sont en quantité supérieure ou inférieure à celle de la colonne QUANTITÉ du TABLEAU DE DEFROST, vous devrez décongeler en mode manuel.

Vous pouvez décongeler tout aliment, cru ou déjà cuit, à l'aide du niveau de puissance de 30 %. Suivre exactement la marche suivre en 3 étapes sous LE RÉGLAGE DU NIVEAU DE PUISSANCE à la page 11. Estimer la durée de décongélation et appuyer sur la touche Power Level huit fois pour une puissance de 30%.

Pour des aliments crus ou déjà cuits, la règle d'or est

d'environ 4 minutes par livre. Par exemple, 1 livre de spaghetti dégèlera en 4 minutes.

Veiller à arrêter le four périodiquement pour séparer et retirer les portions dégelées. Si les aliments ne sont pas complètement dégelés à la fin du temps de décongélation estimé, programmer le four en incréments d'1 minute, au niveau de puissance de 30 % jusqu'à décongélation complète.

Quand vous utilisez des récipients en plastique sortant du congélateur, décongeler seulement assez longtemps pour retirer les aliments du plastique et les mettre dans un plat pour micro-ondes.

La Cuisson Micro-ondes

MORE (PLUS)

More calculera automatiquement le temps de réchauffage approprié et la puissance du four à micro-ondes pour les aliments énumérés dans le tableau suivant.

1 Appuyer une fois sur la touche MORE.

SEE LABEL SELECT FOOD NUMBER

2 Voir l'aide-mémoire. Choisir un aliment en appuyant sur un chiffre. Ex : Appuyer sur **2** pour des petits pains ou des muffins congelés.

3 Appuyer sur un chiffre pour choisir la quantité.
Ex : Appuyer sur **2** pour 2 pains ou muffins.

4 Appuyer sur **START (+1 min)**.

Remarque :

- More peut être programmé avec réglage de durée en plus ou en moins. Voir page 15.
- Pour réchauffer d'autres aliments ou des aliments en quantités inférieure ou supérieure à celle permise sur le TABLEAU DE MORE, réchauffer en mode manuel.

TABLEAU DE MORE

ALIMENTS	QUANTITÉ	MARCHE À SUIVRE
1 Réchauffer des petits pains/ muffins frais	1 - 8 pièces	Utiliser cette touche pour décongeler petits pains, muffins, biscuits, bagels, etc. il faut compter les grosses pièces comme 2 ou 3 de taille régulière. Disposer sur une assiette; couvrir avec un essuie-tout. Pour des petits pains et des muffins réfrigérés, il peut être nécessaire de doubler la quantité pour que la portion soit à la température appropriée. Par exemple, entrer la quantité 2 pour 1 petit pain réfrigéré.
2 Réchauffer des petits pains/ muffins congelés	1 - 8 pièces	Utiliser cette touche pour décongeler petits pains, muffins, biscuits, bagels, etc. il faut compter les grosses pièces comme 2 ou 3 de taille régulière. Disposer sur une assiette; couvrir avec un essuie-tout.
3 Réchauffer des boissons	0,5 - 2,0 tasses	Ce réglage sert à remettre une boisson chaude refroidie à une température convenable à la consommation. Appuyer sur la touche numéro 1 pour augmenter de 0,5 tasses par pression. Remuer après la cuisson.
4 Eau chaude	1 - 6 tasses	Utiliser ce réglage pour chauffer de l'EAU FROIDE DE ROBINET vers une température juste en dessous du point d'ébullition, pour préparer le café ou le thé instantané. Appuyer sur la touche numéro 1 pour augmenter de 1 tasse par pression. Remuer bien le liquide après la cuisson pour éviter toute «éruption» éventuelle.
5 Faire fondre du beurre	2 c. à soupe 1/2 tasse	Utiliser une tasse à mesurer en pyrex. Couvrir d'une pellicule plastique. Appuyer sur 1 une fois pour 2 cuillerées à soupe. Utiliser une tasse à mesurer en pyrex. Couvrir d'une pellicule plastique. Appuyer sur 1 deux fois pour 1/2 tasse.
6 Faire fondre du chocolat	1 tasse de brisures 1 carré	Utiliser une tasse à mesurer en pyrex. Couvrir d'une pellicule plastique. Appuyer sur 1 une fois pour 1 tasse de brisures. Utiliser une tasse à mesurer en pyrex. Couvrir d'une pellicule plastique. Appuyer sur 1 deux fois pour 1 carré.
7 Ramollir de la crème glacée	1 chopine 1/2 litres	Ne pas couvrir. Appuyer sur 1 une fois pour 1 chopine. Ne pas couvrir. Appuyer sur 1 deux fois pour 1/2 litre.
8 Ramollir du fromage en crème	3 oz. 8 oz.	Ne pas couvrir. Appuyer sur 1 une fois pour 3 oz. Ne pas couvrir. Appuyer sur 1 une fois pour 8 oz.
9 Réchauffer du sirop	1/4 tasse 1/2 tasse	Utiliser une tasse à mesurer en pyrex. Ne pas couvrir. Appuyer sur 1 une fois pour 1/4 tasse. Utiliser une tasse à mesurer en pyrex. Ne pas couvrir. Appuyer sur 1 deux fois pour 1/2 tasse.
10 Réchauffer de la garniture à desserts	1/4 tasse 1/2 tasse	Utiliser une tasse à mesurer en pyrex. Ne pas couvrir. Appuyer sur 1 une fois pour 1/4 tasse. Utiliser une tasse à mesurer en pyrex. Ne pas couvrir. Appuyer sur 1 deux fois pour 1/2 tasse.

Autres Caractéristiques

KEEP WARM (RÉCHAUD)

Keep Warm vous permet de garder les aliments au chaud pendant 30 minutes.

USAGE DIRECT

- Appuyer sur la touche **KEEP WARM**.
- Entrer la durée désirée en appuyant sur les chiffres.
Pour entrer 30 minutes appuyer sur .
- Appuyer sur **START (+1 min)**.

Le four se mettra en marche. L'afficheur indiquera et le compte à rebours. sera affiché pendant le compte à rebours commence.

AVEC CUISSON EN MODE MANUEL

- Entrer le temps de cuisson et le niveau de puissance.
- Appuyer sur la touche **KEEP WARM**.
- Entrer la durée de réchauffage désirée jusqu'à 30 minutes.
- Appuyer sur **START (+1 min)**.

L'opération démarrera. Quand la durée de cuisson est terminée, une longue tonalité résonnera et Keep Warm démarrera. L'afficheur indiquera le compte à rebours sera affiché de manière intermittente pendant le compte à rebours.

Remarque :

- Si vous essayez d'entrer plus de 30 minutes pour Keep Warm, un message d'erreur s'affichera.
- Keep Warm ne peut pas être programmé avec Popcorn, Sensor Reheat, Sensor Cook, Defrost ou More.

CUISSON À SÉQUENCES MULTIPLES

Votre MicroDrawer™ peut être programmé pour 4 séquences automatiques de cuisson, passant d'un réglage de puissance à l'autre automatiquement.

Parfois, les conseils de cuisson suggèrent de commencer à un certain niveau de puissance et de poursuivre à un autre niveau. Votre MicroDrawer™ peut le faire automatiquement.

- Entrer d'abord le temps de cuisson. Puis appuyer sur la touche **POWER LEVEL** pour la cuisson à 100 % ou appuyer de nouveau sur **POWER LEVEL** pour un niveau plus faible.
- Entrer le second temps de cuisson. Appuyer répétitivement sur la touche **POWER LEVEL** jusqu'au niveau de puissance désiré. Vous pouvez faire cette marche à suivre jusqu'à 4 fois..
- Appuyer sur **START (+1 min)**.

Remarque :

- sera affiché si on appuie une fois sur la touche **POWER LEVEL**.
- Si le niveau 100 % doit être utilisé au cours de la dernière séquence, il n'est pas nécessaire d'appuyer sur la touche **POWER LEVEL**.
- Si vous voulez savoir le niveau de puissance, appuyer simplement sur la touche **POWER LEVEL**. Aussi longtemps que votre doigt appuie sur la touche **POWER LEVEL**, le niveau de puissance sera affiché.
- Keep Warm peut être programmé même si 4 séquences de cuisson ont été réglées.

HELP (AIDE)

Chaque réglage de Sensor Reheat, Sensor Cook, Popcorn, Keep Warm et Defrost a un conseil pour la cuisson. Seuls les paramètres de More : Réchauffer des petits pains/muffins, des petits pains/muffins congelés, des boissons et des boissons à l'eau chaude ont un conseil pour la cuisson. Si vous souhaitez vérifier, appuyez sur **SETTINGS** lorsque HELP est allumé dans l'affichage interactif pour ces derniers et d'autres astuces mode manuel.

+1 MIN

+1 min vous permet de cuire pendant une minute à 100 % simplement en appuyant sur la touche **+1 min**. Vous pouvez aussi prolonger la durée de cuisson de multiples fois 1 minute en appuyant répétitivement sur +1 min en mode de cuisson manuelle.

Remarque :

- Pour utiliser +1 min, appuyer sur la touche dans les trois minutes après la cuisson, en fermant la porte ou en appuyant sur la touche STOP/CLEAR.
- On ne peut pas utiliser +1 min avec Sensor settings, More ou Defrost.

RÉGLAGE DE DURÉE EN PLUS OU EN MOINS

Si vous trouvez que vous préférez les réglages de Sensor Reheat, Sensor Cook, Defrost, Popcorn ou More un peu plus forts, appuyer une fois sur la touche **POWER LEVEL** après avoir appuyé sur les touches de votre choix. s'affichera.

Pour des réglages un peu moins forts, appuyer deux fois sur la touche **POWER LEVEL** après avoir appuyé sur les touches de votre choix. s'affichera.

Autres Caractéristiques

VERROUILLAGE DES COMMANDES

Le verrouillage des commandes vise à empêcher l'utilisation du four comme par de jeunes enfants. Le MicroDrawer™ peut être réglé de telle sorte que le tableau de commande est inopérant ou verrouillé.

POUR VERROUILLER

Appuyer sur **PANEL LOCK** pendant 3 secondes. **LOCK ON** s'affichera.

POUR DÉVERROUILLER

Appuyer sur **PANEL LOCK** pendant 3 secondes. **LOCK OFF** s'affichera.

Le Panel Lock est annulé en cas d'interruption de la tension qui alimente le four à micro-ondes. Reprogrammer le Panel Lock quand l'électricité se sera rétablie.

SETTINGS (RÉGLAGES)

Si l'alimentation électrique de votre MicroDrawer™ est coupée, **ENJOY YOUR MICRO-WAVE TOUCH CLEAR AND TOUCH CLOCK** s'affichera et clignotera dès que l'alimentation sera rétablie. Dans un tel cas, l'option **SETTINGS** que vous avez entrée sera effacée. Appuyer simplement sur la touche STOP/CLEAR et remettre à zéro.

SUPPRESSION DU SIGNAL SONORE

À la fin d'une durée de cuisson, un bip résonnera. Si vous désirez que votre appareil n'émette pas de signal sonore, vous pouvez le désactiver.

POUR DÉSACTIVER LE SIGNAL SONORE

- 1 Appuyer sur **SETTINGS**. **TOUCH AGAIN**
- 2 Appuyer à nouveau sur **SETTINGS**. **SOUND OFF ?**
TOUCH START
- 3 Appuyer sur **START (+1 min)**. **SOUND OFF** s'affichera.

POUR RÉACTIVER LE SON

- 1 Appuyer sur **SETTINGS**. **TOUCH AGAIN**
- 2 Appuyer à nouveau sur **SETTINGS**. **SOUND ON ?**
TOUCH START
- 3 Appuyer sur **START (+1 min)**. **SOUND ON** s'affichera.

RAPPEL DE FIN DE CUISSON

À la fin d'une cuisson, le micro-onde signalera toutes les 10 secondes pendant une minute et ensuite toutes les 3 minutes pendant une heure, jusqu'à ce qu'on appuie sur STOP/CLEAR.

POUR DÉSACTIVER LE RAPPEL

- 1 Appuyer trois fois sur **SETTINGS**. **REMIND SIGNAL OFF ?** **TOUCH START** s'affichera.
- 2 Appuyer sur **START (+1 min)**. **REMIND SIGNAL OFF** s'affichera.

POUR RÉACTIVER LE RAPPEL

- 1 Appuyer trois fois sur **SETTINGS**. **REMIND SIGNAL ON ?** **TOUCH START** s'affichera..
- 2 Appuyer sur **START (+1 min)**. **REMIND SIGNAL ON** s'affichera.

AUTO DÉMARRAGE

Si vous voulez programmer le MicroDrawer™ pour commencer à cuire automatiquement à une heure donnée, procéder comme suit.

▲ MISE EN GARDE

Pour maintenir la sécurité alimentaire, ne pas laisser les aliments dans le four pendant plus d'une heure avant ou après la cuisson.

- 1 Appuyer 4 fois sur **SETTINGS**. **AUTO START** **TOUCH START** s'affichera.
- 2 Appuyer sur **START (+1 min)**. **ENTER START TIME**
- 3 Entrer l'heure de démarrage. **4:30 TOUCH CLOCK**
- 4 Appuyer sur **TIMER/CLOCK**. **ENTER COOKING TIME**
- 5 Appuyer sur les chiffres pour entrer la durée de cuisson. **20:00 TOUCH START OR TOUCH POWER LEVEL** Appuyer sur **POWER LEVEL** répétitivement jusqu'au niveau de puissance désiré. **TOUCH START**
- 6 Appuyer sur **START (+1 min)**.

MODE DE DÉMONSTRATION

POUR CHOISIR LE MODE DÉMO

- 1 Appuyer 5 fois sur **SETTINGS**. **DEMO ON ? HOLD** **START 3 SEC** s'affichera.
- 2 Appuyer sur **START (+1 min)** pendant 3 secondes. **DEMO ON** s'affichera.

POUR ANNULER LE MODE DÉMO

- 1 Appuyer 5 fois sur **SETTINGS**. **DEMO OFF ? TOUCH** **START** s'affichera.
- 2 Appuyer sur **START (+1 min)**. **DEMO OFF** s'affichera.

Remarque :

- Le MicroDrawer™ ne chauffe pas en mode démo.
- Le compte à rebours s'affiche rapidement.

Autres Caractéristiques

MODE VEILLE

Le rétro-éclairage de l'affichage s'éteindra automatiquement après un délai de 15 minutes sans que l'appareil ne fonctionne. Les informations resteront à l'affichage, mais celui-ci ne sera pas illuminé. L'affichage ne se mettra pas en mode veille pendant la cuisson ni en mode démo.

Si l'affichage est en veille, il ne faut qu'appliquer une pression sur le tableau de commandes ou ouvrir/fermer la porte pour rallumer le rétro-éclairage. On peut désactiver complètement le mode veille, si l'on préfère.

POUR DÉSACTIVER LE MODE VEILLE

- 1 Appuyer six fois sur la touche **SETTINGS**.

s'affiche.

- 2 Appuyer sur **START (+1 min)**.

s'affiche.

TO TURN SLEEP MODE BACK ON

- 1 Appuyer six fois sur la touche **SETTINGS**.

s'affiche.

- 2 Appuyer sur **START (+1 min)**.

s'affiche.

Nettoyage et Entretien

SURFACE D'ACIER INOX

Toujours essuyer ou frotter dans le sens du grain. Il faut essuyer souvent l'extérieur avec un chiffon doux et humide et le frotter avec un chiffon doux sec pour lui garder son lustre. Toujours essuyer dans le sens du grain. Il existe aussi de nombreux produits conçus spécialement pour nettoyer et faire briller l'extérieur en inox du four. Nous recommandons d'appliquer le nettoyant sur un chiffon doux et de s'en servir ensuite sur l'inox plutôt que de le vaporiser directement dessus. Suivre à la lettre les instructions de l'emballage.

AVANT DU TIROIR

Essuyer les deux surfaces du hublot à l'aide d'un chiffon humide pour enlever les éclaboussures. Il est plus facile de nettoyer les parties métalliques si on les essuie fréquemment avec un chiffon humide. Éviter tout emploi de produits nettoyants vaporisés ou abrasifs car ils peuvent tacher, strier ou ternir la surface de la porte.

TABLEAU DE COMMANDES

Si désiré, les touches peuvent être désactivées avant le nettoyage. Voir les renseignements sur le verrouillage des commandes à la page 17 de ce manuel. Essuyer le tableau de commande avec un chiffon humecté d'eau. Sécher avec un chiffon doux. N'utiliser ni poudre à récurer ni produits chimiques de nettoyage. Refermer la porte et suivre les instructions de la page 17 pour déverrouiller les commandes. Appuyer sur Touch **STOP/CLEAR**.

COUVERCLE DU GUIDE D'ONDES

ATTENTION Tenir propre le couvercle du guide d'ondes pour assurer un bon fonctionnement du four. Essuyer immédiatement et délicatement avec un chiffon humide toute éclaboussure d'aliments sur la surface du couvercle. Une accumulation d'éclaboussures peut surchauffer et causer de la fumée ou même s'enflammer. Ne pas retirer le couvercle du guide d'ondes.

GLISSIÈRES DU MICRODRAWER™

Nettoyer les glissières du tiroir des miettes de nourriture. Les essuyer avec un chiffon doux et sec pour que le tiroir s'ouvre et se ferme en douceur.

INTÉRIEUR

Avant de nettoyer le MicroDrawer™, appuyer sur la touche de Control Lock pour trois secondes pour verrouiller le tableau de commandes et le mécanisme de porte automatique. On peut fixer le tiroir en position ouverte ou fermer. **LOCK ON** s'affichera. Cela évitera que le tiroir ne s'ouvre ni se ferme par accident durant le nettoyage. Une fois le nettoyage fini, appuyer pour 3 secondes sur la touche de Control Lock pour désactiver le verrouillage. **LOCK OFF** s'affichera.

Le nettoyage est facile car les parois intérieures n'absorbent pas de chaleur de telle sorte que les éclaboussures ne cuisent pas. Pour nettoyer les parois intérieures, y compris les surfaces d'étanchéité du tiroir, essuyer avec un chiffon doux humide. **NE PAS UTILISER DE PRODUITS ABRASIFS OU DE TAMPONS À RÉCURER.** Pour les taches tenaces, utiliser du savon doux et nettoyer avec un chiffon doux humide. Ne pas utiliser de nettoyants chimiques pour les fours.

DÉSODORISATION

Il peut arriver qu'une odeur de cuisson persiste dans le tiroir. Pour l'éliminer, mettre dans un récipient pouvant contenir 2 tasses, 1 tasse d'eau, le zeste et le jus d'un citron, et plusieurs clous de girofle entiers. Faire bouillir pendant plusieurs minutes à 100 %. Laisser reposer dans le MicroDrawer™ jusqu'à ce qu'il soit froid. Essuyer l'intérieur avec un chiffon doux.

Avant d'appeler pour une Réparation

Vérifier ce qui suit avant de faire appel à un réparateur. Cela vous évitera une perte de temps et des dépenses inutiles.

PROBLÈME	CAUSE POSSIBLE	SOLUTION
1 Part or all of Une pièce ou tout le MicroDrawer™ ne fonctionne pas.	<ul style="list-style-type: none">• Le cordon du MicroDrawer™ n'est pas complètement branché à la prise.• Coupure de courant.• Le fusible ou le disjoncteur de la maison ne fonctionne pas.• Le MicroDrawer™ est en mode démo.	<ul style="list-style-type: none">• Vérifier que le cordon est bien branché dans la prise.• Vérifier les lumières de la maison pour vous en assurer. Appeler le service d'électricité.• Remplacer le fusible ou réenclencher le disjoncteur.• Voir page 17 comment annuler le mode Démo.
2 Le four à micro-ondes ne chauffe pas les aliments.	<ul style="list-style-type: none">• Pas de courant à l'appareil.• Les commandes du tiroir sont mal réglées.• Le MicroDrawer™ est en mode démo.	<ul style="list-style-type: none">• Voir la SOLUTION pour le PROBLÈME 1.• Vérifier les réglages de commandes.• Voir page 17.
3 La lumière du MicroDrawer™ ne fonctionne pas.	<ul style="list-style-type: none">• L'ampoule est desserrée ou brûlée.	<ul style="list-style-type: none">• Appeler un réparateur.
4 Les touches de commande ne fonctionnent pas.	<ul style="list-style-type: none">• Les commades sont verrouillées.	<ul style="list-style-type: none">• Voir page 17 pour déverrouiller.
5 L'afficheur clignote.	<ul style="list-style-type: none">• Panne de courant.	<ul style="list-style-type: none">• Appuyer sur STOP/CLEAR et remettre l'horloge à l'heure. Si le MicroDrawer™ était en marche, vous devez redémarrer la fonction de cuisson.
6 Vapeur sortant de l'évent	<ul style="list-style-type: none">• Pendant la cuisson aux micro-ondes, de la vapeur peut s'échapper par le côté droit de l'évent.	

DÉCLARATION DE GARANTIE LIMITÉE DU PRODUIT

Quelle est la couverture de cette garantie et à qui s'applique-t-elle?

La garantie limitée offerte par BSH Home Appliances dans cette déclaration de Garantie limitée du produit ne s'applique qu'au four encastré Thermador Four qui vous a été vendu, à vous le premier acheteur utilisateur, à condition que le produit ait été acheté :

- pour votre usage domestique normal (non commercial), et a réellement, en tout temps, été utilisé uniquement à des fins domestiques.
- neuf au détail (pas un démonstrateur, «tel quel», ou un modèle précédemment retourné), et pas pour la revente ni un usage commercial.
- aux États-Unis ou au Canada, et est resté, en tout temps, dans le pays d'achat.

Les garanties énoncées aux présentes s'appliquent uniquement au premier acheteur du produit et ne sont pas transférables. Thermador se réserve le droit de demander une preuve d'achat au moment où une réclamation au titre de la garantie est soumise afin de confirmer que le produit rentre dans le cadre de cette garantie limitée de produits.

Les garanties énoncées aux présentes s'appliquent uniquement au premier acheteur du produit et ne sont pas transférables. Thermador se réserve le droit de demander une preuve d'achat au moment où une réclamation au titre de la garantie est soumise afin de confirmer que le produit rentre dans le cadre de cette garantie limitée de produits.

Quelle est la durée de la garantie?

Thermador garantit que le produit est exempt de vices de matériaux et de fabrication pendant une période de vingt-quatre (24) mois à compter de la date d'achat. La période précédente commence à la date d'achat, et ne doit pas être interrompue, tarifée, prolongée ou suspendue, pour une quelconque raison.

La réparation ou le remplacement sont votre unique recours

Pendant cette période de garantie, Thermador ou un de ses fournisseurs de services autorisés réparera votre produit gratuitement (sous réserve de certaines restrictions énoncées aux présentes), si votre produit s'avère avoir été fabriqué avec un défaut de matériel ou de fabrication. Si les efforts raisonnables pour réparer le produit n'ont pas abouti, Thermador remplacera alors votre produit (des modèles améliorés peuvent vous être offerts, à la seule discrétion de Thermador, moyennant un supplément). Toutes les pièces retirées et les composants doivent devenir la propriété de Thermador à sa seule discrétion. Toutes les pièces remplacées ou réparées doivent endosser l'identité de la pièce d'origine aux fins de cette garantie et cette garantie ne doit pas être prolongée à cause de ces pièces. Les seules obligations et responsabilités de Thermador en vertu des présentes consistent à réparer le produit défectueux uniquement, en utilisant un fournisseur de services autorisé de Thermador pendant les heures ouvrables. Pour des raisons de sécurité et de dommages matériels, Thermador vous recommande fortement de ne pas tenter de réparer le produit vous-même

ou de faire appel à un réparateur non autorisé; Thermador ne sera pas tenu responsable des réparations ou travaux effectués par un technicien non autorisé. Si vous choisissez de faire appel à une personne autre qu'un fournisseur de services autorisé pour travailler sur votre appareil, CETTE GARANTIE SERA AUTOMATIQUEMENT NULLE ET NON AVENUE. Les fournisseurs de services autorisés sont des personnes ou des entreprises qui ont été spécialement formées pour les produits Thermador, et qui possèdent, de l'avis de Thermador, une excellente réputation pour le service à la clientèle et la capacité technique (à noter que ce sont des entités indépendantes et non des agents, partenaires, filiales ou représentants de Thermador). Nonobstant ce qui précède, Thermador n'aura aucune obligation pour le produit, ni n'en sera tenue responsable, s'il est situé dans une zone éloignée (à plus de 160 kilomètres d'un fournisseur de services autorisé), une région ou un environnement raisonnablement inaccessible, dangereux, menaçant, ou à risque; dans un tel cas, si vous le demandez, Thermador payera pour le travail, les pièces et leur expédition au fournisseur de service autorisé le plus proche, mais vous serez pleinement responsable de la durée du transport ou des autres frais particuliers facturés par l'entreprise de service, à supposer qu'elle accepte de faire la réparation.

Produit hors garantie

Thermador n'a aucune obligation, en droit ou autrement, de vous offrir des réductions, y compris des réparations, établies au prorata, ou un remplacement du produit, une fois que cette garantie a expiré.

Exclusions de la garantie

La couverture de la garantie décrite aux présentes exclut tous les vices ou dommages qui ne sont pas la faute directe de Thermador, y compris sans y être limité, un ou plusieurs des éléments suivants :

- L'utilisation du produit à autre chose que son utilisation normale, habituelle et prévue (y compris sans y être limité, toute forme d'utilisation commerciale, l'utilisation ou l'entreposage d'un produit intérieur à l'extérieur, l'utilisation du produit en conjonction avec des aéronefs ou des navires).
- Faute intentionnelle d'une partie, négligence, abus, accident, inattention, mauvaise utilisation, défaut d'entretien, mauvaise installation ou installation négligente, altération, non-respect des instructions de fonctionnement, mauvaise manipulation, service non autorisé (y compris la « réparation » ou l'exploration des pièces internes de l'appareil effectuée par l'utilisateur).
- Réglage, altération ou modification quelconques
- Omettre de se conformer aux codes électriques, de plomberie ou du bâtiment, aux règlements ou lois étatiques, locaux, urbains ou de comté, y compris le défaut d'installer le produit en stricte conformité avec les codes et des règlements locaux d'incendie et du bâtiment.
- Usure normale, déversements de nourriture, de liquides, accumulations de graisse, ou autres substances qui s'accumulent sur, dans ou autour du produit.

- Toutes les forces et tous les facteurs extérieurs, bruts et/ou environnementaux, y compris sans y être limité, la pluie, le vent, le sable, les inondations, les incendies, les glissements de terrain, le gel, l'humidité excessive ou une exposition prolongée à l'humidité, la foudre, les surtensions, les défaillances structurelles entourant l'appareil et les actes de Dieu.

En aucun cas, Thermador n'aura d'obligation ni ne sera tenue responsable pour les dommages aux biens environnants, y compris les armoires, planchers, plafonds et autres structures ou d'objets autour du produit. Sont également exclus de cette garantie les égratignures, les entailles, bosses mineures, et les dommages cosmétiques sur les surfaces externes et les parties exposées; les produits dont les numéros de série ont été modifiés, altérés ou supprimés;

les visites de service pour vous apprendre comment utiliser le produit, ou des visites lorsqu'il n'y a aucun problème avec le produit; la correction de problèmes d'installation (vous êtes seul responsable de la structure et de l'installation du produit [y compris tous les équipements électriques, de plomberie ou autres installations de raccordement], de la fondation et du plancher, et de toute modification, y compris sans y être limité, armoires, murs, planchers, étagères, etc.); et la réinitialisation des disjoncteurs ou des fusibles.

DANS LA MESURE PERMISE PAR LA LOI, LA PRÉSENTE GARANTIE ÉNONCE VOS RECOURS EXCLUSIFS À L'ÉGARD DES PRODUITS, QUE LA RÉCLAMATION PROVIENNE D'UN CONTRAT OU D'UN ACTE DOMMAGEABLE (Y COMPRIS LA RESPONSABILITÉ ABSOLUE OU NÉGLIGENCE) OU AUTREMENT. CETTE GARANTIE TIENT LIEU DE TOUTE AUTRE GARANTIE, EXPRESSE OU IMPLICITE. TOUTE GARANTIE IMPLICITE PAR LA LOI, QUE CE SOIT POUR QUALITÉ MARCHANDE OU D'ADÉQUATION À UN USAGE PARTICULIER OU AUTREMENT, NE SERA VALIDE QUE POUR LA PÉRIODE DURANT LAQUELLE CETTE GARANTIE LIMITÉE EST EN VIGUEUR. EN AUCUN CAS LE FABRICANT NE SERA RESPONSABLE DES DOMMAGES INDIRECTS, SPÉCIAUX, ACCESSOIRES, « PERTE D'ENTREPRISE », OU PUNITIFS, PERTES OU DÉPENSES, Y COMPRIS SANS Y ÊTRE LIMITÉ, LE TEMPS LOIN DU TRAVAIL, LES HÔTELS ET/OU REPAS AU RESTAURANT, LES FRAIS DE RÉNOVATION, AU-DELÀ DE DOMMAGES DIRECTS, QUI SONT DÉFINITIVEMENT CAUSÉS EXCLUSIVEMENT PAR THERMADOR, OU AUTREMENT. CERTAINS ÉTATS NE PERMETTENT PAS L'EXCLUSION OU LA LIMITATION DES DOMMAGES DIRECTS OU INDIRECTS, ET CERTAINS NE PERMETTENT PAS LA LIMITATION DE LA DURÉE D'UNE GARANTIE IMPLICITE, DE SORTE QUE VOUS POURRIEZ NE PAS ÊTRE CONCERNÉS PAR CES LIMITATIONS. CETTE GARANTIE VOUS DONNE DES DROITS SPÉCIFIQUES ET VOUS POUVEZ AUSSI AVOIR D'AUTRES DROITS QUI PEUVENT VARIER D'UN ÉTAT À L'AUTRE.

Aucune tentative d'altérer, de modifier ou d'amender cette garantie n'entrera en vigueur à moins d'être autorisée par écrit par un cadre de BSH.

Assistance de THERMADOR®

Service

Nous sommes conscients que vous avez fait un investissement considérable dans votre cuisine. Nous nous engageons à vous soutenir, vous et votre appareil afin que vous puissiez profiter de nombreuses années d'une cuisine créative.

N'hésitez pas à communiquer avec notre service d'assistance à la clientèle STAR® si vous avez des questions ou dans le cas peu probable où votre appareil THERMADOR® aurait besoin de réparations. Notre équipe est prête à vous aider.

www.thermador.com/support

800-735-4328

Pièces & Accessoires

Pièces, filtres, détartrants, nettoyants d'acier inoxydable et autres peuvent être achetés à la boutique en ligne THERMADOR® ou par téléphone.

www.thermador-eshop.com

Thermador ™
REAL INNOVATIONS FOR REAL COOKS™

BSH Home Appliances Corporation, 1901 Main Street Suite 600, Irvine, CA 92614
1-800-735-4328 • www.thermador.com

© BSH Home Appliances Corporation, 2011

GUÍA DE USO Y CUIDADO

MODELO:

MD24JS

MicroDrawer™ Incorporado

Thermador 
REAL INNOVATIONS FOR REAL COOKS

Tabla de Contenido

ATENCIÓN AL CLIENTE	3	OTRAS CARACTERÍSTICAS	16
PRECAUCIONES PARA EVITAR POSIBLES EXPOSICIONES AL EXCESO DE ENERGÍA DEL MICROONDAS	3	KEEP WARM (CONSERVAR CALIENTE)	16
IMPORTANT SAFETY INSTRUCTIONS	4	COCCIÓN EN SECUENCIAS MÚLTIPLES.....	16
INFORMACIÓN QUE DEBE CONOCER	5	HELP (AYUDA).....	16
SOBRE EL DESEMBALAJE Y LA VERIFICACIÓN DE SU MICRODRAWER™	5	+1 MIN.....	16
INTERFERENCIA DE RADIO O TELEVISIÓN	5	MAYOR O MENOR AJUSTE DE TIEMPO	16
INSTRUCCIONES PARA CONEXIÓN A TIERRA	5	PANEL LOCK (BLOQUEO DEL PANEL).....	16
SOBRE SU HORNO MICRODRAWER™	5	SETTINGS (CONFIGURACIÓN).....	17
SOBRE LA COCCIÓN POR MICROONDAS	5	SUPRESIÓN DE LA SEÑAL AUDIBLE.....	17
ACERCA DE LOS UTENSILIOS Y ENVOLTURAS	6	INICIO AUTOMÁTICO	17
SOBRE SEGURIDAD.....	7	MODO DEMOSTRACIÓN	17
SOBRE LOS NIÑOS Y EL MICROONDAS	7	SLEEP MODE (MODO INACTIVO).....	18
SOBRE LOS ALIMENTOS	8	LIMPIEZA Y CUIDADO	19
NOMBRE DE LAS PARTES	9	ANTES DE SOLICITAR SERVICIO	20
ANTES DE OPERAR	10	DECLARACIÓN DE GARANTÍA LIMITADA DEL PRODUCTO	21
PARA CONFIGURAR EL RELOJ	10	APOYO THERMADOR®	23
TIMER (TEMPORIZADOR).....	10		
STOP/CLEAR (PARAR/BORRAR)	10		
PARA ABRIR O CERRAR EL MICRODRAWER™	10		
COCCIÓN POR MICROONDAS	11		
TIEMPO DE COCCIÓN.....	11		
PARA FIJAR EL NIVEL DE POTENCIA	11		
AJUSTES DEL SENSOR	11		
POPCORN / SENSOR REHEAT (PALOMITAS DE MAÍZ / SENSOR DE RECALENTAMIENTO)	12		
SENSOR COOKING (COCCIÓN POR SENSOR)	12		
DEFROST (DESCONGELAR).....	14		
DESCONGELAMIENTO MANUAL.....	14		
MORE (MÁS).....	15		

Atención al Cliente

Para ayuda con cualquier tipo de asistencia futura relacionada con este aparato, por favor anote el modelo y los números de serie ubicados en la unidad, y cualquier otra información pertinente en los espacios indicados por debajo. Por favor conserve esta información para referencia futura.

Número de modelo _____ Número de serie _____

Fecha de compra _____ / _____ / _____

Distribuidor _____ Teléfono _____

Personal de servicio _____ Teléfono _____

Para obtener el nombre y la dirección del centro de servicio autorizado de Thermador, comuníquese con:

BSH Home Appliances Corporation
1901 Main Street, Suite 600
Irvine, CA 92614

Proporcione la siguiente información al escribir o llamar: Número del modelo, número de serie, fecha de compra, su dirección de correo completa (incluyendo código postal), su número telefónico durante el día (incluyendo código del área) y la descripción del problema.

Sitio Web: www.thermador.com

PRECAUCIONES PARA EVITAR POSIBLES EXPOSICIONES AL EXCESO DE ENERGÍA DEL MICROONDAS

- (a) No trate de operar este horno con la puerta abierta ya que la operación puede provocar una exposición perjudicial a la energía del microondas. No altere o manipule indebidamente los interbloques de seguridad.
- (b) No coloque ningún objeto entre la parte frontal del horno y la puerta, ni deje que se acumulen residuos de limpiadores o suciedad en las superficies del cierre hermético.
- (c) No opere el microondas si está dañado. Es particularmente importante que la puerta del horno cierre apropiadamente y que no hayan daños en: (1) puerta (inclinación), (2) bisagras y pestillos (rotos o flojos), (3) sellos de la puerta y superficies de cierre hermético.
- (d) El horno sólo debe ser ajustado o reparado por el personal de servicio calificado apropiado.

IMPORTANT SAFETY INSTRUCTIONS

LEA Y GUARDE ESTAS INSTRUCCIONES

Al usar artefactos eléctricos deben tomarse precauciones de seguridad básicas, incluyendo las siguientes:

ADVERTENCIA

Para reducir el riesgo de quemaduras, choque eléctrico, incendios, lesiones a personas o exposición al exceso de energía del microondas:

- 1 Leer todas las instrucciones antes de usar el electrodoméstico.
- 2 Leer y seguir las “PRECAUCIONES PARA EVITAR LA POSIBLE EXPOSICIÓN A ENERGÍA DE MICROONDAS EXCESIVA” en la página 3.
- 3 Este aparato debe ser molido apropiadamente. Vea Base Instrucciones en la página 7.
- 4 Instale o coloque este artefacto sólo de acuerdo al Manual de instalación proporcionado.
- 5 Algunos productos tales como huevos con cascarón y recipientes sellados — por ejemplo, recipientes de vidrio cerrados — pueden explotar y no de deben calentarse en este horno microondas.
- 6 Utilice este electrodoméstico sólo para el uso intencional que se describe en este manual. No usar vapores o químicos corrosivos en este electrodoméstico. Este tipo de horno microondas está diseñado específicamente para calentar, cocinar o descongelar alimentos. No está diseñado para uso industrial o de laboratorios.
- 7 Como con cualquier electrodoméstico, es necesaria una estricta supervisión al momento de ser operado por menores de edad.
- 8 No opere este electrodoméstico si tiene un cordón, cable o enchufe dañado. si el electrodoméstico no está funcionando adecuadamente, o si ha sido dañado o dejado caer.
- 9 Este electrodoméstico únicamente debe ser provisto de servicio de mantenimiento por personal de servicio calificado. Comuníquese con el Centro de servicio autorizado de Thermador más cercano para su análisis técnico, reparación o ajuste.
- 10 No cubrir ni bloquear ningún orificio del electrodoméstico.
- 11 No almacenar ni utilizar este electrodoméstico al aire libre. No utilizar este producto cerca del agua — por ejemplo, cerca del fregadero de la cocina, en un sótano húmedo o cerca de una piscina o lugares similares.
- 12 No sumerja cuerda ni tapón en el agua.
- 13 Mantener alejado el cable de superficies calientes
- 14 No monte o se siente en el artefacto.
- 15 Asegúrese que los dedos u otros objetos o materiales no se encuentran alrededor de la abertura del artefacto cuando esté se encuentre cerrado.
- 16 No coloque los dedos o ropa alrededor de las guías del cajón al momento de abrir o cerrar el artefacto. Éstos podrían quedar atrapados en las guías al cerrar el artefacto.
- 17 Asegúrese que los alimentos y recipientes no sobrepasen el tamaño del cajón antes de cerrarlo. Verifique la altura de las paredes laterales del cajón.
- 18 Cuando limpie las superficies de sellado del artefacto que se juntan al cerrar el cajón, aplique con una esponja o paño suave sólo jabón o detergente suave no abrasivo. Vea las instrucciones para limpiar en la página 31.
- 19 Para reducir el riesgo de incendio en la cavidad del artefacto:
 - a No cocine demasiado los alimentos. Esté atento cuando se coloquen papeles, plástico o cualquier material combustible dentro del artefacto para facilitar la cocción.
 - b Retirar los alambres de amarre de las bolsas plásticas o papel antes de colocar la bolsa en el horno microondas.
 - c Si los materiales en el interior del horno microondas se encienden, mantener cerrada la puerta del horno microondas, apagar el horno microondas y desconectar el cable de suministro de energía o cortar la energía desde el panel de fusibles o cortacircuitos.
 - d No use el artefacto para almacenar objetos. No deje productos de papel, utensilios de cocina o alimentos en el artefacto cuando no lo use.
- 20 Líquidos, tales como agua, café o té, son propensos a sobrecalentarse más allá del punto de ebullición sin aparecer que lo están. No siempre será visible un burbujeo o ebullición al retirar el recipiente del horno microondas. **ESTO PUEDE DAR COMO RESULTADO QUE LÍQUIDOS MUY CALIENTES EBULLAN REPENTINAMENTE AL INSERTAR UNA CUCHARA U OTRO UTENSILIO DENTRO DEL LÍQUIDO.**

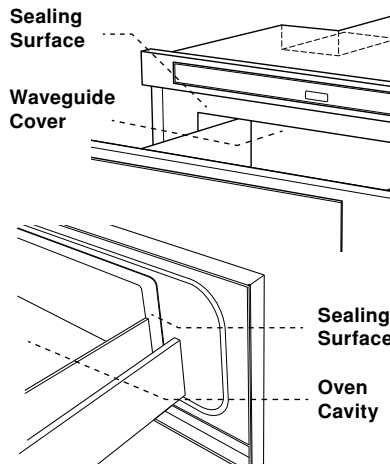
Para reducir el riesgo de lesiones personales:

 - a No sobrecalentar el líquido.
 - b Revolver el líquido antes y durante el proceso de calentamiento.
 - c No utilizar recipientes de lados rectos con cuellos angostos. Utilizar recipientes de boca ancha.
 - d Después de calentar, deje reposar el recipiente dentro del horno microondas por lo menos 20 segundos antes de removerlo.
 - e Tener cuidado extremo al momento de introducir una cuchara u otro utensilio dentro del recipiente.
- 21 Si la luz del artefacto no funciona, consulte al **PERSONAL DE SERVICIO AUTORIZADO DE THERMADOR.**

Información que debe conocer

SOBRE EL DESEMBALAJE Y LA VERIFICACIÓN DE SU MICRODRAWER™

1 Retire los materiales de empaque que están dentro de la cavidad del Horno MicroDrawer™. NO RETIRE LA CUBIERTA DE LA GUÍA DE ONDA, que se encuentra en la parte superior del Horno MicroDrawer™.



2 Si hay una etiqueta adhesiva, retírela. Revise que el cajón no tenga daños, como mal alineamiento o inclinación, sellos del cajón y superficies de sellado dañados, guías del cajón rotas o flojas y abolladuras en la cavidad o en la parte frontal del cajón. Si encuentra algún daño, no opere el Horno MicroDrawer™ y comuníquese con su distribuidor o PERSONAL DE SERVICIO AUTORIZADO DE THERMADOR.

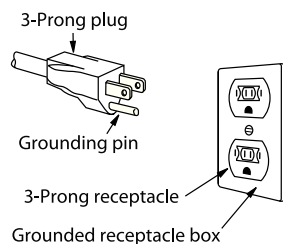
INTERFERENCIA DE RADIO O TELEVISIÓN

Si hay interferencia causada por el Horno MicroDrawer™, en su radio o TV, revise que el horno tenga un circuito eléctrico distinto, aleje la radio o TV del horno microondas lo más que pueda o revise la posición y señal de la antena de recepción.

INSTRUCCIONES PARA CONEXIÓN A TIERRA

• Este aparato se debe poner a tierra. Este horno está equipado con un cable que tiene un alambre y un enchufe con toma a tierra. Éste se debe conectar en un tomacorriente de pared instalado y conectado a tierra apropiadamente de acuerdo con el Código Eléctrico Nacional y los códigos y reglamentos locales. En caso que se produzca un cortocircuito eléctrico, la conexión a tierra reduce el riesgo de descarga eléctrica proporcionando una vía de escape para la corriente eléctrica.

Permanent and Correct Installation



• **⚠ ADVERTENCIA** – El uso inapropiado del enchufe con toma a tierra puede causar una descarga eléctrica. No use un cable de extensión. Si el cable de alimentación es demasiado corto, contrate a un electricista o técnico calificado para que instale un tomacorriente cerca del artefacto.

• Si tiene alguna pregunta sobre las instrucciones eléctricas o de conexión a tierra, consulte a un electricista calificado o al encargado de brindar el servicio.

SOBRE SU HORNO MICRODRAWER™

SIEMPRE coloque alimentos dentro del Horno MicroDrawer™ durante su operación para que absorban la energía del microondas.

El orificio de ventilación debajo del Horno MicroDrawer™ no debe ser bloqueado. Durante la cocción, el vapor debe salir del lado derecho del orificio de ventilación.

Al usar el Horno MicroDrawer™ con niveles de potencia por debajo del 100%, usted podría escuchar que el magnetrón se enciende y apaga. Es normal que la parte exterior del Horno MicroDrawer™ esté caliente al tacto cuando cocina o recalienta.

La condensación es una parte normal de la cocción con microondas. La humedad ambiental y la humedad en la comida influirán en la cantidad de humedad que se condense en el Horno MicroDrawer™. Generalmente, los alimentos cubiertos no producirán tanta condensación como los no cubiertos.

El uso del Horno MicroDrawer™ se limita únicamente a la preparación de los alimentos. No debe usarse para secar ropa o periódicos.

Su Horno MicroDrawer™ tiene una capacidad de 950 vatios haciendo uso del Procedimiento de prueba IEC. Al seguir instrucciones de recetas o de productos envasados, verifique los alimentos uno o dos minutos antes del tiempo mínimo y aumente tiempo según corresponda.

Al abrir o cerrar el Horno MicroDrawer™ rápidamente, los alimentos pueden derramarse en el interior del microondas. Para realizar la limpieza, consulte la sección Limpieza y cuidado en la página 17.

SOBRE LA COCCIÓN POR MICROONDAS

- Distribuya los alimentos con cuidado. Coloque las áreas más gruesas hacia la parte exterior del plato.
- Verifique el tiempo de cocción. Cocine durante el período de tiempo más corto indicado y aumente como sea necesario. Los alimentos que se cocinan demasiado pueden quemarse o encenderse.
- Cubra los alimentos durante su cocción. Consulte la receta o el libro de cocina para obtener sugerencias: Toallas de papel, papel encerado, película plástica para microondas o una tapa. Las cubiertas evitan derrames y permiten que los alimentos se cocinen de manera uniforme.
- Cubra las áreas delgadas de la carne o carne de ave con piezas pequeñas y planas de papel de aluminio para evitar que se cocinen demasiado antes de que las áreas más gruesas se cocinen por completo.

Información que debe conocer

- Revuelva los alimentos desde afuera hacia adentro del plato una o dos veces durante la cocción, si es posible.
- Voltee los alimentos una vez durante la cocción en microondas para acelerar la cocción de alimentos como pollo y hamburguesas. Los alimentos grandes como asados deben voltearse al menos una vez.
- Reacomode los alimentos como albóndigas a la mitad de la cocción desde la parte superior a la inferior y desde el centro del plato hacia el exterior.
- Deje un tiempo de espera. Retire los alimentos del Horno MicroDrawer™ y revuélvalos, si es posible. Cubra durante el tiempo de espera, lo cual permite que los alimentos se terminen de cocinar sin recocerlos.
- Verifique la cocción. Verifique si hay señales que indiquen que se ha alcanzado la temperatura de cocción.

Las señales de cocción completa incluyen:

- Todo el alimento emana vapor, no sólo en los bordes.
- Temperatura muy caliente de la base central del plato al tacto.
- Fácil movimiento de las uniones de los muslos del ave.
- La carne y la carne de ave no presentan un color rosáceo.
- El pescado está opaco y se desmenuza fácilmente con un tenedor.

ACERCA DE LOS UTENSILIOS Y ENVOLTURAS

No es necesario comprar utensilios nuevos. Usted puede usar la mayoría de artículos de su cocina en su nuevo Horno MicroDrawer™. Asegúrese de que los utensilios no toquen las paredes internas durante la cocción.

Use estos utensilios para una cocción y un recalentamiento seguros en el microondas:

- vitrocerámica (Pyroceram®), como Corningware®.
- Vidrio resistente al calor (Pyrex®)
- plásticos resistentes al microondas
- platos de papel
- cerámica, cerámica de gres y porcelana
- fuentes (sin exceder el tiempo de precalentamiento recomendado. Siga las instrucciones del fabricante.)

Estos artículos pueden ser usados para un corto tiempo de recalentamiento de alimentos con poca grasa o azúcar :

- madera, paja, mimbre

NO UTILICE

- sartenes y utensilios para hornear de metal
- platos con borde metálico vidrio no resistente al calor

- plásticos que no resistan las microondas (recipiente de margarina)
- productos de papel reciclado
- bolsas de papel marrón
- bolsas para conservar alimentos
- sujetadores de metal

Si desea verificar si un plato es seguro para uso en el microondas, coloque el plato vacío en el horno y hágalo funcionar durante 30 segundos en HIGH. Si el plato se calienta demasiado no debe ser usado.

Las siguientes envolturas son ideales:

- Las toallas de papeles son ideales para envolver los alimentos al recalentarlos y absorber la grasa al cocinar tocino.
- El papel encerado puede ser usado para cocinar y recalentar.
- La película plástica que está especialmente diseñada para uso en microondas puede usarse para la cocción y recalentamiento. NO deje que la película plástica toque los alimentos. Haga agujeros para que el vapor pueda salir.
- Las tapas que pueden usarse en el microondas son una buena opción ya que aíslan el calor de los alimentos para acelerar la cocción.
- Las bolsas para cocción en hornos son apropiadas para piezas grandes de carne o alimentos que necesitan ablandarse. NO use sujetadores de alambre. Recuerde perforar la bolsa para que pueda salir el vapor.

Cómo usar papel aluminio en el Horno MicroDrawer™:

- Pedazos planos pequeños de papel aluminio colocados ligeramente sobre los alimentos pueden ser útiles para proteger áreas que se estén descongelando o cocinando demasiado rápido.
- El papel aluminio no debe estar a menos de una pulgada de cualquier superficie del Horno MicroDrawer™.

ACCESORIOS Existen muchos accesorios disponibles para microondas. Revise cuidadosamente antes de comprarlos para que satisfagan sus necesidades. Un termómetro resistente a las microondas le ayudará a determinar la cocción correcta y asegurará que sus alimentos se han cocido a temperaturas seguras Thermador no es responsable de ningún daño al Horno MicroDrawer™ causado por el uso de los accesorios.

Información que debe conocer

SOBRE SEGURIDAD

- Verifique que la cocción de los alimentos se realice de acuerdo a las temperaturas recomendadas del Departamento de Agricultura de los EE.UU.

145°F	-	Pescado.
160°F	-	Cerdo, carne molida /carnero/cordero, platos hechos con huevos
165°F	-	Para sobras, comida refrigerada lista para recalentar y platos preparados y comida "lista" para llevar. Pavo/pollo/pato enteros, en pedazos o molido

Para verificar la cocción, introduzca un termómetro para carne en un área gruesa o densa lejos de la grasa y el hueso. NUNCA deje el termómetro en los alimentos durante la cocción, a menos que sea aprobado para uso en horno microondas.

- SIEMPRE use una agarradera para prevenir quemaduras al manipular utensilios que están en contacto con los alimentos calientes. El calor de los alimentos puede transferirse a través de los utensilios causando quemaduras en la piel.
- Evite las quemaduras causadas por el vapor dirigiéndolo lejos de su rostro y manos. Levante lentamente el borde más alejado de la cubierta de un plato y abra con cuidado las bolsas de palomitas de maíz y las bolsas especiales para cocinar en horno apartándolas de su rostro.
- Permanezca cerca del horno mientras esté en uso y verifique con frecuencia el progreso de la cocción para que los alimentos no se cocinen demasiado.
- NUNCA use la cavidad para guardar libros de cocina u otros artículos.
- Seleccione, almacene y manipule los alimentos con cuidado para conservar su alta calidad y minimizar la propagación de bacterias.
- Conserve limpia la cubierta de la guía de onda. Los residuos de alimentos pueden producir arcos eléctricos o incendios.

SOBRE LOS NIÑOS Y EL MICROONDAS

Los niños menores de 7 años deben usar el Horno MicroDrawer™ bajo la supervisión cercana de un adulto. En el caso de los niños entre 7 y 12 años, la

persona que los supervisa debe estar en la misma habitación. El niño debe alcanzar el Horno MicroDrawer™ de manera cómoda; en caso contrario, debe usar un banco firme.

No se debe permitir nunca que nadie se apoye o se cuelgue del Horno MicroDrawer™.

Los niños deben conocer todas las precauciones de seguridad: usar agarraderas, retirar las cubiertas con cuidado, prestar mucha atención a los paquetes de alimentos crujientes, ya que podrían estar muy calientes.

No asuma que un niño puede cocinar de todo sólo porque aprendió a cocinar un alimento.

Los niños deben aprender que el Horno MicroDrawer™ no es un juguete. Vea la página 15 para consultar la función de Bloqueo de control.

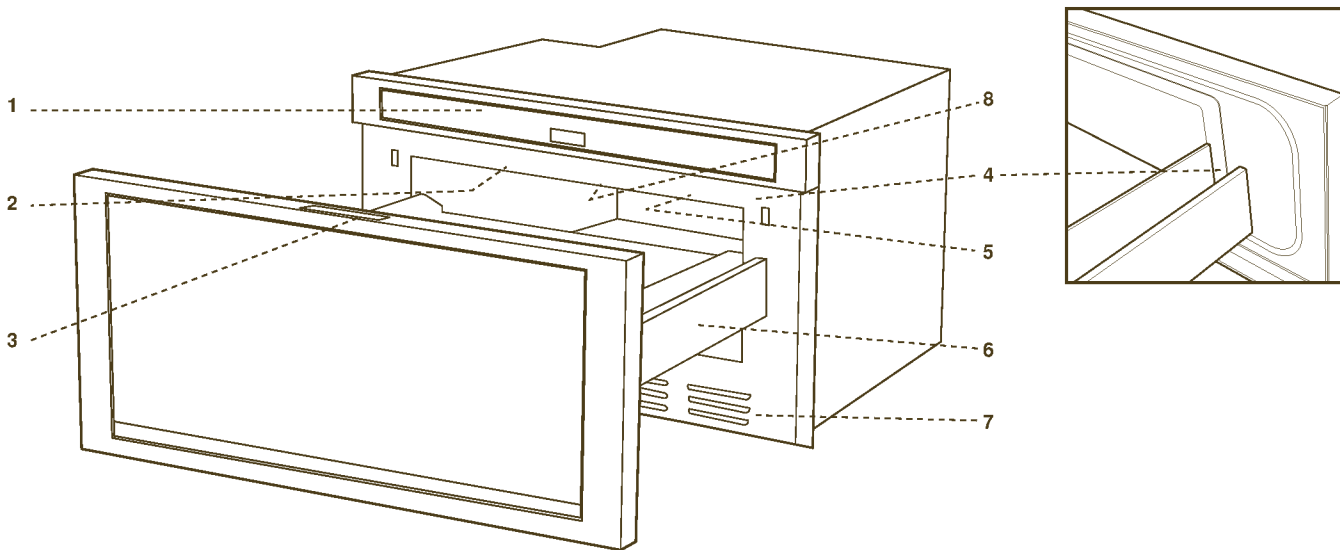
Información que debe conocer

SOBRE LOS ALIMENTOS

ALIMENTO	LO QUE DEBE HACER	LO QUE NO DEBE HACER
Huevos, salchichas, frutos secos, semillas, frutas y vegetales	<ul style="list-style-type: none">• Perfore las yemas del huevo antes de cocinarlo para evitar una “explosión”.• Haga pequeños agujeros en la piel de las papas, manzanas, zapallos, hot dogs y salchichas para liberar el vapor.	<ul style="list-style-type: none">• Cocinar los huevos con cáscara.• Recalentar los huevos enteros.• Deshidratar nueces o semillas con cáscara.
Palomitas de maíz	<ul style="list-style-type: none">• Use palomitas de maíz empacadas en una bolsa especial para horno microondas.• Escuche mientras las palomitas revientan para saber si hay una demora de 1 o 2 segundos o use una almohadilla especial para POPCORN.	<ul style="list-style-type: none">• Cocinar palomitas de maíz en bolsas de papel común o en tazones de vidrio.• Exceder el tiempo máximo que indica el paquete de las palomitas de maíz.
Alimentos para bebés	<ul style="list-style-type: none">• Transfiera los alimentos del bebé a un plato pequeño y caliéntelos con cuidado, revolviendo con frecuencia. Verifique la temperatura antes de servir.• Coloque las tetinas en las botellas después de calentarlas y sacúdalas bien. Verifique la temperatura usted mismo antes de alimentar al bebé.	<ul style="list-style-type: none">• Calentar botellas desechables.• Calentar las botellas con las tetinas puestas.• Calentar los alimentos del bebé en sus frascos originales.
General	<ul style="list-style-type: none">• Corte los alimentos horneados con relleno después de calentarlos para liberar el vapor y prevenir las quemaduras.• Revuelva bien los líquidos antes, durante y después de calentar para evitar “erupciones”.• Use un tazón profundo al cocinar líquidos o cereales para evitar que rebosen.• Los alimentos no deben sobrepasar el tamaño del cajón para microondas. Verifique la altura de las paredes laterales del cajón.	<ul style="list-style-type: none">• Calentar o cocinar en frascos de vidrio cerrados o en recipientes herméticos.• Preparar conservas o mermeladas en el microondas ya que las bacterias dañinas podrían no ser destruidas.• Freír en aceite.• Secar madera, calabazas, hierbas o papeles húmedos.

Nombre de las partes

MICROWDRAWER™



- 1 Panel de control
- 2 Cubierta de la guía de onda NO LA RETIRE
- 3 Etiqueta de menú
- 4 Superficies de sellado del cajón
- 5 Iluminación del cajón
- 6 Guías del Horno MicroDrawer™
- 7 Orificio de ventilación
- 8 Placa de identificación: Abra el Horno MicroDrawer™ por completo. La etiqueta se encuentra ligeramente más allá de la pared posterior de la cavidad del microondas y con dirección hacia arriba desde la superficie plana.

HOJA DE INFORMACIONES



El número cerca de la ilustración del panel de control indica las páginas donde puede encontrar descripciones de las características e información de uso.

ETIQUETA DE MENÚ

SENSOR COOK		DEFROST	MORE	
1 Fresh Vegetables: Quick	6 Sweet Potatoes	1 Ground Meat	1 Reheat Fresh Rolls / Muffins	6 Melt Chocolate
2 Fresh Vegetables: Longer	7 Ground Meat	2 Steaks/Chops	2 Reheat Frozen Rolls / Muffins	7 Soften Ice Cream
3 Frozen Vegetables	8 Fish/Seafood	3 Boneless Poultry	3 Reheat Beverage	8 Soften Cream Cheese
4 Frozen Entrees	9 White Rice	4 Bone-in Poultry	4 Hot Water	9 Warm Syrup
5 Baked Potatoes	10 Brown Rice	5 Roast	5 Melt Butter	10 Warm Dessert Topping
		6 Casserole or Soup		

TLAB-B062MRR0

Antes de operar

Antes de operar su nuevo Horno MicroDrawer™, asegúrese de haber leído y entendido completamente esta Guía de uso y cuidado.

- Antes de usar el MicroDrawer™, siga estos pasos:

1 Conecte el Horno MicroDrawer™. Aparecerá el mensaje

ENJOY YOUR MICRO- WAVE TOUCH CLEAR
AND TOUCH CLOCK .

2 Presione el botón **STOP/CLEAR**. : aparecerá.

3 Programe el reloj.

PARA CONFIGURAR EL RELOJ

- 1 Presione **TIMER/CLOCK** y el botón del número **2**.
- 2 Presione los botones de números para ingresar la hora correcta del día y presione nuevamente el botón **TIMER/CLOCK**.

Este es un reloj de 12 horas. Si intenta ingresar una hora incorrecta en el reloj, la pantalla mostrará el mensaje **ERROR** will appear in the display. Presione el botón **STOP/CLEAR** y restablezca el reloj.

- Si se interrumpe, el suministro de energía eléctrica del Horno MicroDrawer™ el mensaje destellará intermitentemente en pantalla mostrando **ENJOY YOUR MICRO- WAVE TOUCH CLEAR AND TOUCH CLOCK** luego de restablecer la energía. Si esto ocurre durante la cocción, se borrará el programa. También se borrará la hora del día. Sólo presione el botón **STOP/CLEAR** y restablezca el reloj para ingresar la hora correcta del día.

Nota:

- El Horno MicroDrawer™ puede programarse con el cajón abierto excepto para **START (+1 min)**

TIMER (TEMPORIZADOR)

- 1 Presione el botón **TIMER/CLOCK** y el número **1**.
- 2 Ingrese el tiempo.
- 3 Presione nuevamente el botón **TIMER/CLOCK**.

Para cancelar el temporizador, presione **STOP/CLEAR**.

STOP/CLEAR (PARAR/BORRAR)

Presione el botón **STOP/CLEAR** para:

- Borrar si comete un error durante la programación.
- Cancelar el temporizador.
- Detener el horno temporalmente durante la cocción.
- Reingresar la hora del día en la pantalla.
- Cancelar un programa durante la cocción, presionando dos veces.

PARA ABRIR O CERRAR EL MICRODRAWER™

Siempre presione el botón **OPEN** o **CLOSE** en el panel de control para abrir o cerrar el Horno MicroDrawer™.

No presione o tire del manualmente del Horno MicroDrawer™, excepto en caso de emergencia, como una falla eléctrica. Si es necesario presione o jale lentamente.

Cocción por microondas

TIEMPO DE COCCIÓN

El Horno MicroDrawer™ puede ser programado para 99 minutos 99 segundos (99.99). Siempre ingrese los segundos después de los minutos, aun si ambos son 0.

- Suponga que desea cocinar por 5 minutos al 100%.

1 Ingrese el tiempo de cocción .

2 Para cocinar a una potencia al 100% (Alta), presione el botón **START (+1 min)**.

PARA FIJAR EL NIVEL DE POTENCIA

Existen once niveles de potencia predeterminados.

Usar los niveles de potencia más bajos aumenta el tiempo de cocción, lo que es recomendable para alimentos como queso, leche y la cocción lenta y prolongada de carnes. Consulte el libro de recetas o las recetas para recomendaciones específicas.

- Suponga que desea descongelar durante 5 minutos al 30%.

1 Ingrese el tiempo de descongelamiento .

2 Presione **POWER LEVEL** 8 veces.

3 Presione **START (+1 min)**.

PRESIONE EL BOTÓN POWER LEVEL EL NÚMERO DE VECES NECESARIO PARA ALCANZAR LA POTENCIA DESEADA	PORCENTAJE APROXIMADO DE POTENCIA	PALABRAS COMUNES PARA LOS NIVELES DE POTENCIA
POWER LEVEL x 1	100%	Alto
POWER LEVEL x 2	90%	
POWER LEVEL x 3	80%	
POWER LEVEL x 4	70%	Medio-alto
POWER LEVEL x 5	60%	
POWER LEVEL x 6	50%	Medio
POWER LEVEL x 7	40%	
POWER LEVEL x 8	30%	Medio bajo/ descongelar
POWER LEVEL x 9	20%	
POWER LEVEL x 10	10%	Bajo
POWER LEVEL x 11	0%	

AJUSTES DEL SENSOR

El sensor de Thermador es un dispositivo semiconductor que detecta el vapor (humedad) emitido por los alimentos mientras se calientan. El sensor ajusta los tiempos de cocción y los niveles de potencia para diversos alimentos y cantidades.

USO DE LOS AJUSTES DEL SENSOR:

- 1 Después de conectar el Horno MicroDrawer™, espere 2 minutos antes de usar los ajustes del sensor.
- 2 Asegúrese de que el exterior del recipiente de cocción y el interior del Horno MicroDrawer™ estén secos. Remueva cualquier rastro de humedad con un paño seco o toalla de papel.
- 3 El sensor funciona con alimentos a una temperatura de almacenamiento normal. Por ejemplo, las palomitas de maíz pueden estar a temperatura ambiente.
- 4 Cualquier selección de sensor puede ser programada con mayor o menor ajuste de tiempo. Vea la página xx.
- 5 Si la cantidad de alimentos es mayor o menor a la que indica la tabla, debe ser cocinada siguiendo las pautas de cualquier libro de cocina para microondas.
- 6 Durante la primera parte de la cocción por sensor, el nombre de los alimentos aparecerá en la pantalla. No abra la puerta del Horno MicroDrawer™ ni presione el botón STOP/CLEAR durante esta parte del ciclo. La medición del vapor será interrumpida. Si esto sucede, en la pantalla aparecerá un mensaje de error. Para continuar la cocción, presione el botón STOP/CLEAR y cocine manualmente.

Cuando el sensor detecte el vapor de los alimentos, aparecerá en la pantalla el tiempo de cocción/recalentamiento restante. Puede abrir el Horno MicroDrawer™ cuando aparezca en la pantalla el tiempo restante. En este momento, puede revolver o sazonar los alimentos, como desee.
- 7 Si el sensor no detecta el vapor apropiadamente al cocinar palomitas de maíz, el horno se apagará y aparecerá en la pantalla la hora del día. Si el sensor no detecta el vapor apropiadamente al cocinar otros alimentos, el mensaje aparecerá en la pantalla y el horno microondas se apagará.
- 8 Revise la temperatura de los alimentos después de la cocción. De ser necesario un tiempo adicional, continúe la cocción manualmente.
- 9 Cada alimento tiene una sugerencia de cocción. Presione el botón SETTINGS cuando se encienda el indicador HELP en la pantalla.

Cocción por microondas

ENVOLTURA DE ALIMENTOS:

Algunos alimentos se cocinan mejor cuando están cubiertos. Use la envoltura recomendada en la tabla de alimentos. Usted puede consultar los consejos presionando el panel de SETTINGS. Vea la página 16.

- 1 Tapa de la cacerola.
- 2 Película plástica: Use la película plástica recomendada para cocción en microondas. Envuelva los platos de forma suelta; deje un espacio de casi 1/2 pulgada sin cubrir para permitir la salida de vapor. La película plástica no debe tocar los alimentos.
- 3 Papel encerado: Cubra el plato completamente; doble el exceso de la envoltura debajo del plato para asegurar. Si el plato es más ancho que el papel, sobreponga por lo menos una pulgada de dos pedazos para cubrir.

Tenga cuidado al retirar cualquier envoltura para permitir la salida de vapor lejos de usted.

POPCORN / SENSOR REHEAT (PALOMITAS DE MAÍZ / SENSOR DE RECALENTAMIENTO)

Usted tiene la opción de preparar palomitas de maíz y recalentar muchos alimentos y no necesita calcular el tiempo de cocción o nivel de potencia.

Presione el botón **SENSOR REHEAT** o **POPCORN** y **START (+1 min)**.

Cuando el sensor detecte el vapor de los alimentos, aparecerá en la pantalla el tiempo de cocción/recalentamiento restante.

Nota:

- El ajuste Popcorn tiene 2 opciones. Siga las instrucciones en la pantalla para elegir la opción que desee.

TABLA POPCORN / SENSOR REHEAT

ALIMENTO	CANTIDAD	PROCEDIMIENTO
POPCORN	Sólo un paquete a la vez	Use palomitas de maíz envasadas especialmente para uso en microondas. Pruebe con varias marcas para elegir la que prefiera. No intente cocinar los granos que no reventaron completamente.
	2.85 - 3.5 onzas (Normal / Ligero)	Presione el botón POPCORN una vez.
	1.2 - 1.75 onzas (Pequeño / Bocadito)	Presione el botón POPCORN dos veces.
SENSOR REHEAT	4 - 36 onzas	Coloque en un plato o cacerola ligeramente más grande que la cantidad que va a recalentar. Aplane, si es posible. Recubra con una tapa, película plástica o papel encerado. Use envolturas como películas plásticas o tapas para grandes cantidades de alimentos con mayor densidad como estofados. Después de recalentar, revuelva bien, si es posible. Recubra y deje que permanezca de 2 a 3 minutos. Los alimentos deben estar muy calientes. Si no es así, continúe el recalentamiento con una potencia y tiempo variables.

SENSOR COOKING (COCCIÓN POR SENSOR)

- 1 Presione el botón **SENSOR COOK** una vez.
- 2 Vea la Etiqueta de menú. Seleccione el alimento deseado presionando el botón de número. Ej: Presione para papas al horno.
- 3 Presione el botón **START (+1 min)**.

Nota:

- Para calentar o cocinar otros alimentos o alimentos en cantidades mayores o menores a las permitidas en la TABLA SENSOR COOK, hágalo manualmente.

Cocción por microondas

TABLA SENSOR COOK

ALIMENTO	CANTIDAD	PROCEDIMIENTO															
1 Vegetales frescos: suaves		Lave y coloque en una cacerola. No agregue agua si acaba de lavar los vegetales. Recubra con la tapa para vegetales tiernos. Use película plástica para vegetales tiernos y crocantes. Después de la cocción, revuelva si es posible. Deje que los alimentos reposen cubiertos de 2 a 5 minutos.															
Brócoli	.25 - 2.0 libras																
Coles de Bruselas	.25 - 2.0 libras																
Repollo	.25 - 2.0 libras																
Coliflor (flores pequeñas)	.25 - 2.0 libras																
Coliflor (entera)	1 medianas																
Espinaca	.25 - 1.0 libras																
Calabacín	.25 - 2.0 libras																
Manzanas al horno	2 - 4 medianas																
2 Vegetales frescos: duros		Coloque en una cacerola. Agregue 1-4 cucharadas de agua. Recubra con la tapa para vegetales tiernos. Use película plástica para vegetales tiernos. Después de la cocción, revuelva si es posible. Deje que los alimentos reposen cubiertos de 2 a 5 minutos.															
Zanahorias en tajadas	.25 - 1.5 libras																
Maíz en mazorca	2 - 4																
Frijol verde	.25 - 1.5 libras																
Calabaza:																	
picada	.25 - 1.5 libras																
en mitades	1 - 2																
3 Vegetales congelados	.25 - 1.25 libras	No agregue agua. Cubra con una tapa o película plástica. Después de la cocción, revuelva y déjelos reposar cubiertos durante 3 minutos.															
4 Platos de entrada congelados	6 - 17 onzas	Use este botón para congelar convenientemente los alimentos. Obtendrá resultados satisfactorios para la mayoría de marcas. Si desea puede probar las diversas marcas y elegir la que prefiera. Retire la envoltura externa del paquete y siga las instrucciones del mismo para cubrirlo. Después de la cocción, deje reposar cubierto de 1 a 3 minutos.															
5 Papas al horno	1 - 6 medianas	Haga pequeños agujeros. Colóquelas sobre el Horno MicroDrawer™ forrado con papel toalla. Después de la cocción, retire del microondas, envuelva en papel aluminio y deje reposar de 5 a 10 minutos.															
6 Batatas dulces	1 - 6 medianas																
7 Carne molida	.25 - 2.0 libras	Use este ajuste para cocinar carne de res o de pavo picada como hamburguesas o en cacerolas para ser agregados a otros ingredientes. Coloque las hamburguesas en una rejilla para microondas y recubra con papel encerado. Coloque la carne molida en una cacerola y cúbrala con papel encerado o una película plástica. Cuando el microondas se detenga, voltee las hamburguesas o revuelva la carne en la cacerola para dividir las piezas grandes. Cubra nuevamente y presione START (+1 min) . Luego de la cocción, deje reposar cubierto de 2 a 3 minutos.															
8 Pescado/mariscos	.25 - 2.0 libras	Colóquelo en forma de anillo en un plato de vidrio hondo (enrolle el filete ocultando los bordes). Cubra con una película plástica con agujeros de ventilación. Después de la cocción, déjelo reposar cubierto durante 3 minutos.															
9 Arroz blanco	.5 - 2.0 tazas	Coloque el arroz en una cacerola honda y agregue el doble de cantidad de agua. Cubra con una tapa o película plástica. Después de la cocción, revuelva, cubra y deje reposar de 3 a 5 minutos o hasta que absorba todo el líquido.															
10 Arroz integral	.5 - 2.0 tazas																
		<table> <thead> <tr> <th>Arroz</th> <th>Aqua</th> <th>Tamaño de la cacerola</th> </tr> </thead> <tbody> <tr> <td>.5 taza.....</td> <td>1 taza.....</td> <td>1.5 cuartos</td> </tr> <tr> <td>1 taza.....</td> <td>2 tazas.....</td> <td>2 cuartos</td> </tr> <tr> <td>1.5 tazas.....</td> <td>3 tazas.....</td> <td>2.5 o 3 cuartos</td> </tr> <tr> <td>2 tazas.....</td> <td>4 tazas.....</td> <td>3 cuartos o más</td> </tr> </tbody> </table>	Arroz	Aqua	Tamaño de la cacerola	.5 taza.....	1 taza.....	1.5 cuartos	1 taza.....	2 tazas.....	2 cuartos	1.5 tazas.....	3 tazas.....	2.5 o 3 cuartos	2 tazas.....	4 tazas.....	3 cuartos o más
Arroz	Aqua	Tamaño de la cacerola															
.5 taza.....	1 taza.....	1.5 cuartos															
1 taza.....	2 tazas.....	2 cuartos															
1.5 tazas.....	3 tazas.....	2.5 o 3 cuartos															
2 tazas.....	4 tazas.....	3 cuartos o más															

Cocción por microondas

DEFROST (DESCONGELAR)

Use esta función para descongelar los alimentos mostrados en la TABLA DEFROST abajo.

1 Presione el botón **DEFROST**.

SEE LABEL SELECT FOOD NUMBER

2 Vea la Etiqueta de menú. Seleccione el alimento deseado presionando el botón de número.

Ej: Presione **2** para Bistec/chuletas. STEAKS CHOPS

ENTER WEIGHT

3 Ingrese el peso presionando los botones de número.

1.0 Lb

4 Presione el botón **START (+1 min)**.

El horno se detendrá para que pueda revisar el alimento.

5 Después de la primera etapa, abra el Horno MicroDrawer™. Dé vuelta al bistec y cubra las porciones calientes. Cierre el Horno MicroDrawer™. Presione el botón **START (+1 min)**.

6 Después de la segunda etapa, abra el Horno MicroDrawer™. Cubra todas las partes calientes. Cierre el Horno MicroDrawer™. Presione el botón **START (+1 min)**.

7 Al terminar el ciclo de descongelamiento, cubra y deje reposar como se indica en la tabla de abajo.

Nota:

- La función Defrost puede ser programada con ajuste de mayor o menor tiempo. Vea la página 15.
- Para descongelar otros alimentos o una cantidad de alimentos por encima o debajo de los pesos permitidos en la TABLA DEFROST vea DESCONGELAMIENTO MANUAL de abajo.
- Revise los alimentos a la señal del horno. Después de la etapa final, todavía pueden quedar partes pequeñas con hielo. Deje reposar para continuar el descongelamiento. No descongele hasta que se derritan todos los cristales de hielo.
- Cubrir los alimentos evita la cocción antes de que el centro del alimento esté descongelado. Use pequeñas tiras de papel aluminio para cubrir los bordes y las secciones más delgadas del alimento.

TABLA DEFROST

ALIMENTO	CANTIDAD	PROCEDIMIENTO
1 Carne molida	.5 - 2.0 libras	Retire las partes congeladas después de cada señal audible. Cubra y deje reposar de 5 a 10 minutos.
2 Bistec/chuletas	.5 - 3.0 libras	Después de cada señal audible, reacomode y si hubiera alguna porción tibia o descongelada, protéjala con piezas pequeñas y planas de papel aluminio. Retira las porciones de carne o pescado que estén casi descongeladas. Cubra y deje reposar de 10 a 20 minutos.
3 Carne de ave deshuesada	.5 - 2.0 libras	Después de cada señal audible, reacomode o retire si hay porciones tibias o descongeladas. Cubra y deje reposar de 10 a 20 minutos.
4 Carne de ave con hueso	.5 - 3.0 libras	Después de cada señal audible, reacomode las piezas o retire las porciones que se encuentren calientes o descongeladas. Cubra y deje reposar de 10 a 20 minutos.
5 Asado	2.0 - 4.0 libras	Inicie el descongelamiento colocando el lado con grasa hacia abajo. Después de cada etapa, voltee el asado y cubra las porciones calientes con papel de aluminio. Cubra y deje reposar por 30 a 60 minutos.
6 Cazuela, Sopa	2 - 6 tazas 1 - 6 tazas	Después de cada señal audible, desmenuce y retire cualquier parte descongelada. Al final, revuelva bien y deje reposar cubierto de 5 a 10 minutos.

DESCONGELAMIENTO MANUAL

Si el alimento que quiere descongelar no aparece en la TABLA DEFROST o si está por encima o debajo de los límites en la columna de CANTIDAD, deberá descongelar manualmente.

Usted puede descongelar cualquier alimento congelado, crudo o precocido usando el Nivel de potencia al 30%. Siga exactamente el procedimiento del paso 3 en Para fijar el nivel de potencia en la página 11. Calcule el tiempo de descongelamiento y presione ocho veces el botón POWER LEVEL para una potencia del 30%.

Para alimentos crudos o precocidos congelados la regla

general indica 4 minutos por libra. Por ejemplo, descongele durante 4 minutos una libra de salsa para espaguetis congelada.

Siempre detenga el horno continuamente para retirar o separar las porciones que esté descongelando. Si al final del tiempo de descongelamiento calculado los alimentos no se han descongelado, programe el horno en incrementos de 1 minuto a un nivel de potencia del 30% hasta que se descongelen totalmente.

Cuando use recipientes de plástico del congelador, descongele sólo lo suficiente para retirar el alimento del congelador y colocar el alimento en un plato para microondas.

Cocción por microondas

MORE (MÁS)

More - calcula automáticamente y de manera correcta el tiempo de cocción y el nivel de potencia del microondas para los alimentos que se muestran en la siguiente tabla.

- 1 Presione el botón **MORE** una vez.

SEE LABEL SELECT FOOD NUMBER

- 2 Vea la Etiqueta de menú. Seleccione el alimento deseado presionando el botón de número.
Ej: Presione **2** para rosquillas o panecillos congelados.

- 3 Presione el botón de número para seleccionar la cantidad. Ej: Presione **2** para 2 rosquillas o panecillos.

- 4 Presione el botón **START (+1 min)**.

Nota:

- La función More puede ser programada con ajuste de mayor o menor tiempo. Vea la página 15.
- Para la cocción de otros alimentos o una cantidad de alimentos por encima o debajo de la cantidad permitida en la TABLA MORE, hágalo manualmente.

TABLA MORE

ALIMENTO	CANTIDAD	PROCEDIMIENTO
1 Recaliente rosquillas/ panecillos frescos	1 - 8 unidades	Use este botón para calentar rosquillas, panecillos, bizcochos, roscas, etc. Las porciones grandes deben considerarse como 2 ó 3 de tamaño normal. Colóquelos en un plato y cubra con toalla de papel. Para rosquillas o panecillos refrigerados, puede ser necesario duplicar la cantidad ingresada para asegurar que la temperatura para servir sea adecuada. Por ejemplo, ingrese una cantidad de 2 para un panecillo refrigerado.
2 Recaliente rosquillas/panecillos congelados	1 - 8 unidades	Use este botón para calentar rosquillas, panecillos, bizcochos, roscas congeladas, etc. Las porciones grandes deben considerarse como 2 ó 3 de tamaño normal. Colóquelos en un plato y cubra con toalla de papel.
3 Recalentamiento de Bebidas	.5 - 2.0 tazas	Este ajuste es adecuado para calentar una bebida fría a una mejor temperatura para beber. Presione el botón número 1 para un aumento de 1/2 taza por toque. Revuelva después de calentar.
4 Agua caliente	1 - 6 tazas	Use este ajuste para calentar AGUA FRÍA DEL GRIFO a una temperatura un tanto debajo del punto de ebullición para hacer café o té instantáneo. Presione el botón número 1 para aumentar una taza por cada vez que lo presione. Revuelva bien los líquidos antes y después de calentar para evitar "erupciones".
5 Derrita mantequilla	2 cucharadas .5 taza	Use una taza medidora de Pyrex. Cubra con una película plástica. Toque 1 una vez para 2 cucharadas. Use una taza medidora de Pyrex. Cubra con una película plástica. Toque 1 dos veces para 1/2 tasa.
6 Derrita chocolate	1 de hojuelas 1 barra	Use una taza medidora de Pyrex. Cubra con una película plástica. Toque 1 una vez para 1 taza de hojuelas. Use una taza medidora de Pyrex. Cubra con una película plástica. Toque 1 dos veces para 1 barra.
7 Suavizar helado	1 pinta 1/2 galón	No cubrir. Toque 1 una vez para 1 pinta. No cubrir. Toque 1 dos veces para 1/2 galón.
8 Suavizar queso crema	3 onzas 8 onzas	No cubrir. Toque 1 una vez para 3 onzas. No cubrir. Toque 1 una vez para 8 onzas.
9 Jarabe tibio	1/4 taza 1/2 taza	Use una taza medidora de Pyrex. No cubrir. Toque 1 una vez para 1/4 de taza. Use una taza medidora de Pyrex. No cubrir. Toque 1 dos veces para 1/2 taza.
10 Calentar glaseado para postres	1/4 taza 1/2 taza	Use una taza medidora de Pyrex. No cubrir. Toque 1 una vez para 1/4 de taza. Use una taza medidora de Pyrex. No cubrir. Toque 1 dos veces para 1/2 taza.

Otras características

KEEP WARM (CONSERVAR CALIENTE)

Con Keep Warm usted puede mantener los alimentos calientes hasta 30 minutos.

USO DIRECTO

- 1 Presione el botón **KEEP WARM**.
- 2 Ingrese el tiempo deseado presionando los botones de números. Para ingresar 30 minutos, presione .
- 3 Presione el botón **START (+1 min)**.

El horno empezará a funcionar. La pantalla mostrará en conteo regresivo. El mensaje destellará intermitentemente durante el conteo regresivo.

CON COCCIÓN MANUAL

- 1 Ingrese el tiempo de cocción y el nivel de potencia deseados.
- 2 Presione el botón **KEEP WARM**.
- 3 Ingrese el tiempo de conservación deseado de hasta 30 minutos.
- 4 Presione el botón **START (+1 min)**.

El horno empezará a funcionar. Al completar el tiempo de cocción, se escuchará un tono largo y se iniciará la función Keep Warm. En la pantalla aparecerá el conteo regresivo. El mensaje destellará intermitentemente durante el conteo regresivo.

Nota:

- Al tratar de ingresar más de 30 minutos para la función Keep Warm, en la pantalla aparecerá un mensaje de error.
- La función Keep Warm no puede ser programada con las funciones Popcorn, Sensor Reheat, Sensor Cook, Defrost o More.

COCCIÓN EN SECUENCIAS MÚLTIPLES

Su Horno MicroDrawer™ puede ser programado para 4 secuencias de cocción automática, cambiando automáticamente de un ajuste de nivel de potencia a otro.

A veces, las instrucciones de cocción le indican empezar en un nivel de potencia y luego cambiar a un nivel de potencia diferente. Su Horno MicroDrawer™ puede hacerlo automáticamente.

- 1 Primero ingrese el tiempo de cocción. Luego presione el botón **POWER LEVEL** una vez para cocción al 100% o repita presionando el mismo para un nivel menor de potencia.
- 2 Ingrese el segundo tiempo de cocción. Repita presionando el botón **POWER LEVEL** hasta obtener el nivel deseado. Usted puede realizar este proceso hasta 4 veces.

- 3 Presione el botón **START (+1 min)**.

Nota:

- Si presionó el botón **POWER LEVEL** una vez, en la pantalla aparecerá el mensaje .
- Si selecciona 100% como secuencia final, no es necesario presionar el botón **POWER LEVEL**.
- Si desea saber el nivel de potencia durante la cocción, presione simplemente el botón **POWER LEVEL**. Siempre que presione el botón **POWER LEVEL**, el nivel de potencia aparecerá en pantalla.
- La función Keep Warm puede ser programada aún si se han ajustado las 4 secuencias de cocción.

HELP (AYUDA)

Each setting of Sensor Reheat, Sensor Cook, Popcorn, Keep Warm and Defrost has a cooking hint. Only More settings: Fresh rolls/muffins, Frozen rolls/muffins, Beverage reheat and Beverage hot water have a cooking hint. If you wish to check, touch **SETTINGS** whenever HELP is lighted in the Interactive Display for these and other manual operation hints.

+1 MIN

La función **+1 min** le permite cocinar por un minuto al 100% con sólo presionar el botón **+1 min**. También puede extender el tiempo de cocción en múltiplos de 1 minuto presionando repetidamente el botón **+1 min** durante la cocción manual.

Nota:

- Para usar la función +1 min, presione el botón dentro de los 3 minutos posteriores a la cocción, cerrando la puerta o presionando el botón **STOP/CLEAR**.
- La función +1 min no puede ser usada con las funciones More o Defrost.

MAYOR O MENOR AJUSTE DE TIEMPO

Si prefiere que alguna de las funciones Sensor Reheat, Sensor Cook, Defrost, Popcorn o More sea ligeramente mayor, presione una vez el botón **POWER LEVEL** luego de presionar los botones de su elección. La pantalla mostrará .

Si desea que esté ligeramente menos cocido, toque el botón **POWER LEVEL** dos veces después de tocar su selección. La pantalla mostrará .

PANEL LOCK (BLOQUEO DEL PANEL)

Control Lock evita que el microondas en cajón sea operado accidentalmente por niños pequeños, por ejemplo. El Horno MicroDrawer™ puede ajustarse para que el panel de control se desactive o bloquee.

Otras características

PARA BLOQUEAR

Presione el botón **PANEL LOCK** durante 3 segundos. En la pantalla aparecerá **LOCK ON**.

PARA DESBLOQUEAR

Presione el botón **PANEL LOCK** durante 3 segundos. En la pantalla aparecerá **LOCK OFF**.

El Panel Lock es cancelado cuando el suministro de energía eléctrica de su horno se interrumpe. Ajuste el panel nuevamente cuando la energía eléctrica se restaure al horno.

SETTINGS (CONFIGURACIÓN)

Si se interrumpe, el suministro de energía eléctrica del cajón con horno microondas el mensaje destellará intermitentemente en pantalla mostrando **ENJOY YOUR MICRO-WAVE TOUCH CLEAR AND TOUCH CLOCK** luego de restablecer la energía. Si esto ocurre, se cancelará la opción **SETTINGS**. Presione el botón **STOP/CLEAR** y restablezca.

SUPRESIÓN DE LA SEÑAL AUDIBLE

Al finalizar el tiempo de cocción, se escuchará un sonido. Si desea suprimir la señal audible del electrodoméstico, puede desactivar las señales audibles.

PARA DESACTIVAR EL SONIDO

- 1 Presione el botón **SETTINGS**. **TOUCH AGAIN**
- 2 Presione nuevamente el botón **SETTINGS**. **SOUND OFF ? TOUCH START**
- 3 Presione el botón **START (+1 min)**. En la pantalla aparecerá el mensaje **SOUND OFF**.

PARA RESTAURAR EL SONIDO

- 1 Presione el botón **SETTINGS**. **TOUCH AGAIN**
- 2 Presione nuevamente el botón **SETTINGS**. **SOUND ON ? TOUCH START**
- 3 Presione el botón **START (+1 min)**. En la pantalla aparecerá el mensaje **SOUND ON**.

RECORDATORIO DE FINALIZACIÓN DE COCCIÓN

Al finalizar el tiempo de cocción, el microondas emitirá una señal cada 10 segundos durante el primer minuto y luego cada 3 minutos hasta que se presione el botón **STOP/CLEAR**, hasta un máximo de una hora.

PARA DESACTIVAR EL RECORDATORIO

- 1 Presione tres veces el botón **SETTINGS**. En la pantalla aparecerá el mensaje **REMIND SIGNAL OFF ? TOUCH START**.
- 2 Presione el botón **START (+1 min)**. En la pantalla aparecerá el mensaje **REMIND SIGNAL OFF**.

PARA ACTIVAR NUEVAMENTE LA SEÑAL DE RECORDATORIO

- 1 Presione tres veces el botón **SETTINGS**. En la pantalla aparecerá el mensaje **REMIND SIGNAL ON ? TOUCH START**.
- 2 Presione el botón **START (+1 min)**. En la pantalla aparecerá el mensaje **REMIND SIGNAL ON**.

INICIO AUTOMÁTICO

Si desea programar el Horno MicroDrawer™ para que inicie la cocción automáticamente en una determinada hora del día, siga este procedimiento.

⚠ PRECAUCIÓN

Para mantener la seguridad, no deje los alimentos en el horno durante más de una hora antes o después de la cocción.

- 1 Presione 4 veces el botón **SETTINGS**. En la pantalla aparecerá el mensaje **AUTO START TOUCH START**.
- 2 Presione el botón **START (+1 min)**. **ENTER START TIME**
- 3 Ingrese la hora de inicio. **4:30 TOUCH CLOCK**
- 4 Presione el botón **TIMER/CLOCK**. **ENTER COOKING TIME**
- 5 Presione los botones de número para ingresar tiempo de cocción. **20.00 TOUCH START OR TOUCH POWER LEVEL** Presione el botón **POWER LEVEL** en repetidas veces hasta alcanzar el nivel de potencia deseado. **TOUCH START**
- 6 Presione el botón **START (+1 min)**.

MODO DEMOSTRACIÓN

PARA SELECCIONAR MODO DE DEMOSTRACIÓN

- 1 Presione cinco veces el botón **SETTINGS**. En la pantalla aparecerá el mensaje **DEMO ON ? HOLD START 3 SEC**.
- 2 Presione el botón **START (+1 min)** durante 3 segundos. En la pantalla aparecerá el mensaje **DEMO ON**.

PARA CANCELAR MODO DE DEMOSTRACIÓN

- 1 Presione cinco veces el botón **SETTINGS**. En la pantalla aparecerá el mensaje **DEMO OFF ? TOUCH START**.
- 2 Presione el botón **START (+1 min)**. En la pantalla aparecerá el mensaje **DEMO OFF**.

Nota:

- La función Recalentar del Horno MicroDrawer™ no funciona en Modo demostración.
- El conteo regresivo de la pantalla ocurre rápidamente.

Otras características

SLEEP MODE (MODO INACTIVO)

La retroiluminación de la pantalla se apagará automáticamente después de 15 minutos, si la unidad no ha estado en funcionamiento. La información que aparece en la pantalla se mantendrá, pero la pantalla no permanecerá iluminada. La pantalla no entrará en Sleep Mode (modo inactivo) durante la cocción o si el Demo Mode (Modo de demostración) esté activo.

Si la pantalla está "inactiva", sólo es necesario tocar el panel de control o abrir/cerrar la puerta para prender la luz de fondo. Sleep Mode (modo inactivo) puede ser desactivado, si lo desea.

PARA DESACTIVAR SLEEP MODE (MODO INACTIVO)

- 1 Presione seis veces el botón **SETTINGS**. En la pantalla aparecerá el mensaje

SLEEP	MODE	OFF ?
-------	------	-------

.
- 2 Presione el botón **START (+1 min)**. En la pantalla aparecerá el mensaje

SLEEP	MODE	OFF
-------	------	-----

.

PARA RE-ACTIVAR SLEEP MODE (MODO INACTIVO)

- 1 Presione seis veces el botón **SETTINGS**. En la pantalla aparecerá el mensaje

SLEEP	MODE	ON ?
-------	------	------

.
- 2 Presione el botón **START (+1 min)**. En la pantalla aparecerá el mensaje

SLEEP	MODE	ON
-------	------	----

.

Limpieza y cuidado

SUPERFICIE DE ACERO INOXIDABLE

Siempre limpie o frote en la dirección del grano. La parte externa debe ser limpiada con frecuencia con un paño húmedo y se debe lustrar con un paño suave seco para mantener su belleza. Hay también una variedad de productos diseñados especialmente para limpiar y dar brillo al acabado exterior en acero del horno. Recomendamos que aplique el limpiador en un paño suave y luego lo pase por la parte externa del horno en lugar de aplicarlo directamente. Siga las instrucciones del paquete cuidadosamente.

PARTE FRONTAL DEL CAJÓN

Limpie cualquier salpicadura o derrame de la ventana por ambos lados con un paño húmedo. Las partes de metal son más fáciles de mantener si se limpian frecuentemente con un paño húmedo. Evite el uso de limpiadores con atomizadores o ásperos, ya que pueden manchar, vetear u opacar la superficie de la puerta.

PANEL DE CONTROL TÁCTIL

Si desea, puede desactivar los botones antes de realizar la limpieza. Vea la información de Bloqueo de control en la página 17 de este manual. Limpie el panel con un paño humedecido ligeramente sólo con agua. Seque con un paño suave. No restriegue ni use ningún tipo de limpiador químico. Cierre la puerta y siga las instrucciones de la página 17 para apagar el Bloqueo de control. Presione el botón **STOP/CLEAR**.

PARTE INTERNA

Antes de limpiar el MicroDrawer™, toque y mantenga presionado el botón Panel Lock (Bloqueo del panel) durante 3 segundos para bloquear el panel de control y el mecanismo de accionamiento automática de la puerta. La gaveta puede ser bloqueada en cualquiera de las posiciones de apertura y cierre. En la pantalla aparecerá el mensaje **LOCK ON**. Esto evitará que la gaveta se abra o se cierre accidentalmente durante la limpieza.

Después de la limpieza, toque y mantenga presionado el botón Panel Lock (Bloqueo del panel) 3 segundos para apagar el bloqueo. En la pantalla aparecerá el mensaje **LOCK OFF**.

La limpieza es simple debido a que el calor se genera en las superficies internas; por lo tanto, no hay residuos ni derrames quemados. Para limpiar las superficies internas, incluyendo las superficies de sellado del cajón, limpie con un paño suave húmedo. **NO USE LIMPIADORES ABRASIVOS O ÁSPEROS O ESPONJILLAS DE FREGAR.** Para suciedad más difícil

de eliminar, use jabón suave; limpie con un paño suave húmedo. No use ningún tipo de limpiador químico para hornos.

GUÍAS DEL HORNO MICRODRAWER™

Retire los restos de alimentos de las guías del Horno MicroDrawer™. Limpie con un paño suave seco para eliminar restos que puedan obstaculizar al momento de abrir o cerrar el Horno the MicroDrawer™.

CUBIERTA DE LA GUÍA DE ONDA

ATENCIÓN La cubierta de la guía de onda que se encuentra en la parte superior interna del Horno MicroDrawer™ está hecha de mica por lo que requiere de un cuidado especial. Conserve limpia la cubierta de la guía de onda para asegurar un buen rendimiento del microondas. Limpie cuidadosamente con un paño suave húmedo los restos de comida en la superficie de la cubierta inmediatamente después de que hayan ocurrido las salpicaduras. Las salpicaduras acumuladas pueden provocar sobrecalentamiento y ocasionar humo o posiblemente incendiarse. No retire la cubierta de la guía de onda.

ELIMINACIÓN DE OLORES

Ocasionalmente, el olor de la cocción puede permanecer en el Horno MicroDrawer™. Para eliminarlo, mezcle 1 taza de agua, el jugo de un limón y su cáscara rallada y varios clavos enteros en una taza de medida de vidrio con capacidad para dos tazas. Hierva por varios minutos utilizando la potencia al 100%. Deje reposar en el Horno MicroDrawer™ hasta que se enfríe. Limpie el interior con un paño suave.

Antes de solicitar servicio

Revise la siguiente información antes de solicitar servicio. Esto puede ayudarle a ahorrar tiempo y dinero.

PROBLEMA	POSIBLE CAUSA	SOLUCIÓN
1 Un componente o todo el Horno MicroDrawer™ no funcionan.	<ul style="list-style-type: none">• El cable de alimentación del Horno MicroDrawer™ no está totalmente conectado al tomacorriente eléctrico.• Corte de energía eléctrica.• La caja de fusibles/el interruptor de circuito no funciona.• El Horno MicroDrawer™ se encuentra en Modo demostración.	<ul style="list-style-type: none">• Asegúrese de que el cable de alimentación está conectado al tomacorriente.• Verifique que las luces de su hogar funcionen. Solicite servicio a la compañía de electricidad de su localidad.• Reemplace la caja de fusibles o restablezca el interruptor de circuito.• Vea la página 17 para cancelar el Modo demostración.
2 El Horno MicroDrawer™ no recalienta los alimentos.	<ul style="list-style-type: none">• El electrodoméstico no enciende.• Los controles del Horno MicroDrawer™ no están correctamente ajustados.• El Horno MicroDrawer™ se encuentra en Modo demostración.	<ul style="list-style-type: none">• Vea la SOLUCIÓN para el PROBLEMA 1.• Verifique si los controles están correctamente ajustados.• Vea la página 17.
3 La luz del MicroDrawer™ no funciona.	<ul style="list-style-type: none">• La bombilla no está bien enroscada o está quemada.	<ul style="list-style-type: none">• Solicite servicio.
4 Los controles táctiles no funcionan.	<ul style="list-style-type: none">• El Bloque de control está encendido.	<ul style="list-style-type: none">• Vea la página 17 para desbloquear.
5 La pantalla se enciende y apaga.	<ul style="list-style-type: none">• Falla en el suministro eléctrico.	<ul style="list-style-type: none">• Presione el botón STOP/CLEAR y restablezca el reloj. Si el Horno MicroDrawer™ está en uso, debe restablecer la función cocción.
6 Las ranuras de ventilación emiten vapor.	<ul style="list-style-type: none">• Durante la cocción, el vapor debe salir del lado derecho del orificio de ventilación.	

DECLARACIÓN DE GARANTÍA LIMITADA DEL PRODUCTO

Lo que esta garantía cubre y a que se aplica

La garantía limitada de BSH Home Appliances en esta declaración de garantía del producto sólo se aplica al Thermador Built-in Oven vendido a usted, el primer comprador, siempre que el producto fue adquirido:

- Para utilizar uso en su hogar (no comercial) y de hecho en todo momento sólo se haya utilizado para fines domésticos normales.
- Nuevo al tiempo de venta (no como una oferta de muestrario, "caja abierta", o un modelo anteriormente devuelto), y no para la reventa, o para uso comercial.
- Dentro de los Estados Unidos o Canadá, y en todo momento ha permanecido en el país de la compra original.

Las garantías estipuladas en la presente sólo se aplicaran al primer comprador del producto y no son transferibles. Thermador se reserva el derecho de solicitar prueba de compra en el momento que cualquier reclamación de garantía es presentada para confirmar que el producto se encuadra dentro del ámbito de aplicación de la garantía del producto.

Por favor asegúrese de mandar de vuelta la tarjeta de registro; aunque no sea necesario para efectuar la cobertura de la garantía, es la mejor manera para que Thermador se comuniquen con usted en el caso hipotético de un aviso sobre seguridad o retirada del producto.

Cuánto tiempo dura la garantía

Thermador garantiza que el producto está libre de materiales defectuosos y de defectos de fabricación durante un período de veinticuatro (24) meses, empezando a partir de la fecha de compra. La línea del tiempo comienza a correr a partir de la fecha de la compra, y no será interrumpida, cobrada, extendida, o suspendida por cualquier motivo.

Reparar o reemplazar como su recurso exclusivo

Durante este período de la garantía, Thermador o uno de sus proveedores de servicios autorizados reparará su producto sin costo alguno para usted (sujeto a ciertas limitaciones aquí expuestas) si su producto demuestra que ha sido fabricado con un defecto de material o de fabricación. Si intentos razonables para reparar el producto se han realizado sin éxito, Thermador reemplazará su producto (modelos actualizados pueden estar disponibles para usted a la discreción única de Thermador, por un cargo adicional). Todas las piezas y componentes eliminados pasarán a ser propiedad de Thermador por su opción. Todas las partes substituidas o reparadas deberán asumir la identidad de la pieza original para fines de la presente garantía y esta garantía no será extendida con respecto a estas partes. La única obligación y responsabilidad de Thermador a continuación es de reparar el producto defectuoso del fabricante solamente, utilizando un proveedor autorizado de Thermador durante horas de oficina normales. Para la seguridad y por preocupaciones a daños a la propiedad, Thermador recomienda encarecidamente que usted no intente reparar el producto usted mismo, o usar un servicio no autorizado, Thermador no tendrá responsabilidad alguna por las repa-

raciones o trabajos efectuados por servicios de terceros no autorizados. Si elige un servicio que no sea un proveedor de servicio autorizado para reparar su producto, ESTA GARANTÍA PASARÁ A SER AUTOMÁTICAMENTE NULA Y SIN VALOR. Los proveedores de servicios autorizados son las personas o empresas que se han especializado en productos Thermador, y que posean, en la opinión, de Thermador una reputación superior de servicio al cliente y capacidad técnica (observe que son entidades independientes y no son agentes, socios, afiliados o representantes de Thermador). No obstante lo anterior, Thermador no incurrirá en responsabilidad alguna, o tiene la responsabilidad del producto si este está ubicado en una zona remota (a más de 100 millas de distancia de un proveedor de servicio autorizado) o si está en un lugar razonablemente inaccesible, o en un local o ambiente peligroso, amenazador o traicionero; en cualquier caso, si usted lo solicita, Thermador aún pagará la mano de obra y las partes tal cual mandará las partes al proveedor de servicios autorizado más cercano, pero aún así usted sería completamente responsable y encargado por cualquier tiempo de viaje u otros cargos especiales por la empresa de servicios, suponiendo que se comprometen a hacer la llamada de servicio.

Garantía vencida del producto

Thermador no está obligado, por ley o por otros motivos, a proporcionarle cualquier tipo de concesión, incluyendo reparaciones, prorrato o reemplazo del producto, una vez que esta garantía haya expirado.

Exclusiones de la garantía

La cobertura de la garantía aquí descrita excluye todos los defectos que no son la culpa directa de Thermador, incluyendo, sin limitación, uno o más de los siguientes:

- El uso del producto en cualquier cosa distinta de la normal, de costumbre y modo deseado (incluyendo, sin limitación, cualquier forma de uso comercial, uso o almacenamiento de un producto para el uso interior al aire libre, el uso del producto en conjunción con aeronaves o en embarcaciones acuáticas).
- Conducta mal intencionada de cualquier persona, negligencia, abuso, accidentes, abandono, mal uso, falta de mantenimiento, uso indebido o negligente de instalación, manipulación, incumplimiento de las instrucciones de operación, malos manejos, servicio técnico no autorizado (incluyendo componiendo uno mismo o exploración del funcionamiento interno del aparato).
- Ajuste, alteración o modificación de cualquier tipo.
- La falta de cumplimiento de cualquier código, reglamentos o leyes, aplicables, locales, estatales de ciudad o condado de construcción, eléctricas, hidráulicas y/o la falta de instalar el producto en estricta conformidad con códigos locales de incendio y reglamentos de construcción.
- Perjuicio del desgaste normal, de alimentos vertidos, líquidos, acumulaciones de grasa u otras sustancias que se acumulan sobre en o alrededor del producto.
- Cualquier fuerzas y factores elementales y/o ambientales

externos, incluyendo sin limitación, lluvia, viento, arena, inundaciones, fuegos, resbaladeros de barro, temperaturas congeladas, humedad excesiva o exposición prolongada a la humedad, relámpagos, subidas de tensión, fracasos estructurales que rodean el aparato, y actos de Dios.

En ningún caso Thermador tendrá ninguna responsabilidad ni algún encargo por los daños causados alrededor de la propiedad, incluyendo muebles, suelos, techos y otras estructuras u objetos alrededor del producto. Asimismo, quedan excluidas de esta garantía arañazos, pequeñas abolladuras, y daños cosméticos en las superficies externas y partes expuestas; los productos donde los números de serie hayan sido alterado, borrados, o eliminados; servicio de visitas para enseñar a usar el producto, o visitas donde no se encuentra nada malo con el producto; corrección de problemas de instalación (usted es el único responsable por cualquier estructura y configuración del producto, incluyendo todo el equipo eléctrico, plomería u otras instalaciones de conexión, por una fundación/base adecuada y para cualquier alteración incluyendo, sin limitación muebles, paredes, pisos, estanterías, etc.); y el restablecimiento de los disyuntores o los fusibles.

EN LA MEDIDA PERMITIDA POR LA LEY, ESTA GARANTÍA ESTABLECE SUS RECURSOS EXCLUSIVOS CON RESPECTO AL PRODUCTO, SI LA RECLAMACIÓN SE MANIFIESTA A LO CONTRACTUAL O EXTRACONTRACTUAL (INCLUYENDO RESPONSABILIDAD Estricta O NEGLIGENCIA) O DE LO CONTRARIO. ESTA GARANTÍA TOMA EL LUGAR DE TODAS LAS OTRAS GARANTIAS EXPRESAS O IMPLÍCITAS. CUALQUIER GARANTÍA IMPLÍCITA POR LA LEY, YA SEA PARA EL MANEJO DEL COMERCIANTE O PARA UN MOTIVO PARTICULAR U OTRA COSA, SERA SÓLO PARA EL PERIODO EXPRESAMENTE EFECTIVO QUE ESTA GARANTÍA LIMITADA CUBRE. EN NINGÚN CASO EL FABRICANTE SERÁ RESPONSABLE POR "PÉRDIDA DE NEGOCIOS" INCIDENTALES, ESPECIALES, INDIRECTAS, Y/O DAÑOS, PÉRDIDAS O COSTOS, INCLUYENDO SIN LÍMITE DE TIEMPO FUERA DEL TRABAJO, HOTELES Y/O COMIDAS DE RESTAURANTE, GASTOS DE REMODELACIÓN EN EXCESO DE DAÑOS DIRECTOS CAUSADOS EXCLUSIVAMENTE POR THERMADOR, O OTRA COSA. ALGUNOS ESTADOS NO PERMITEN LA EXCLUSIÓN O LÍMITE DE INCIDENTE O LOS DAÑOS CONSEQUENTES, Y ALGUNOS ESTADOS NO PERMITEN LIMITAR LA DURACIÓN DE UNA GARANTÍA IMPLÍCITA, POR TANTO, LAS LIMITACIONES INDICADAS NO PODRÁN APLICARSE A USTED. ESTA GARANTIA LE OTORGA DERECHOS LEGALES Y USTED TAMBIÉN PUEDE TENER OTROS DERECHOS QUE VARÍAN DE ESTADO A ESTADO

Ningún intento de alterar, modificar o enmendar esta garantía será aceptada a menos que sea autorizada por escrito por un funcionario de BSH.

Apoyo THERMADOR®

Servicio

Nos damos cuenta de que usted ha hecho una inversión considerable en su cocina. Estamos dedicados a respaldar a usted y su aparato para que usted disfrute de muchos años de cocina creativa.

Por favor no dude en ponerse en contacto con nuestro Departamento de Atención al Cliente STAR® si usted tiene cualquier preguntas o en el caso improbable de que su aparato THERMADOR® necesite servicio. Nuestro equipo de servicio está listo para ayudarle.

www.thermador.com/support

800-735-4328

Partes y accesorios

Partes, filtros, descalcificador, limpiadores de acero inoxidable y más pueden comprarse en la tienda en línea eSHOP THERMADOR® o por teléfono.

www.thermador-eshop.com



BSH Home Appliances Corporation, 1901 Main Street Suite 600, Irvine, CA 92614
1-800-735-4328 • www.thermador.com

© BSH Home Appliances Corporation, 2011

TINSLB027MRR0