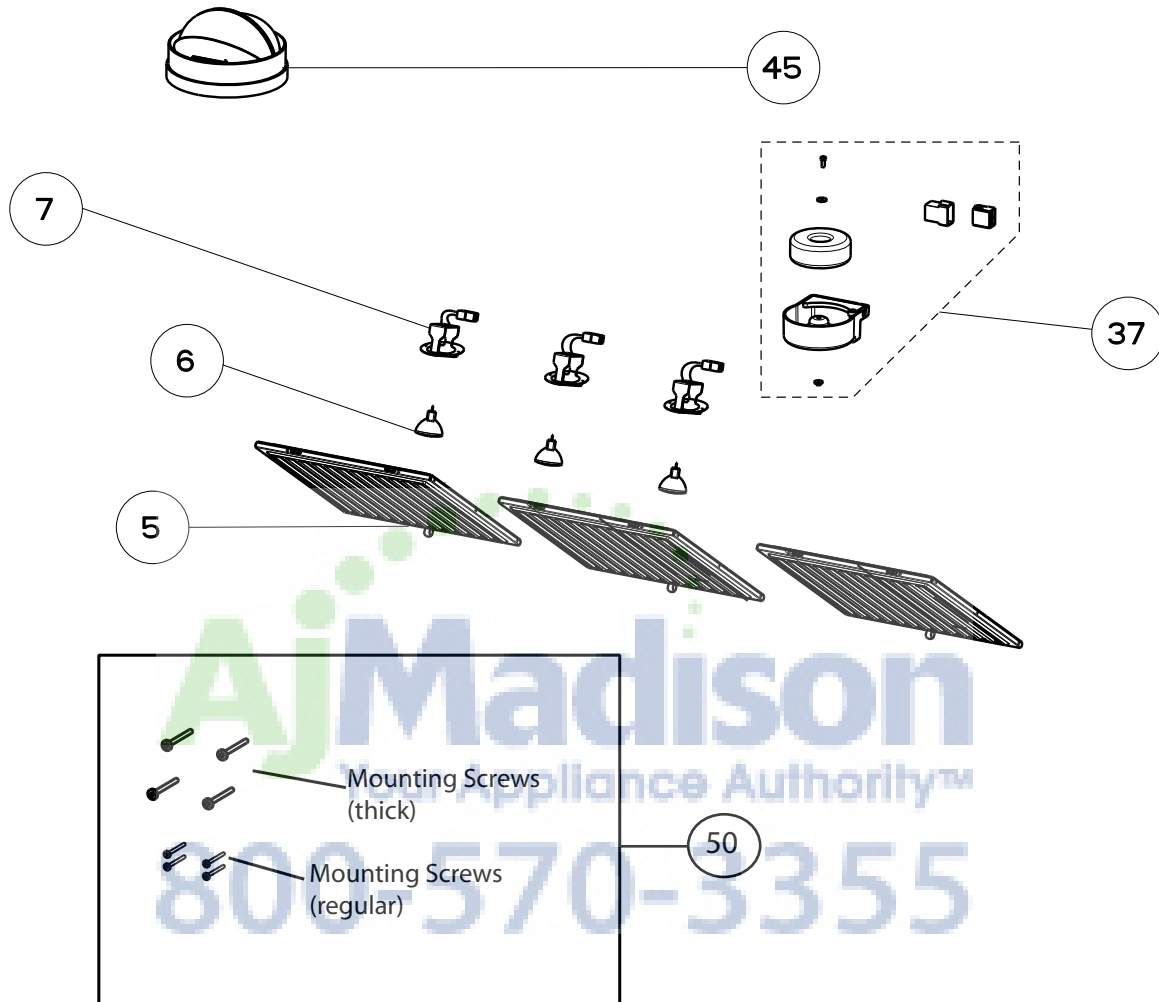


# MAGNUM

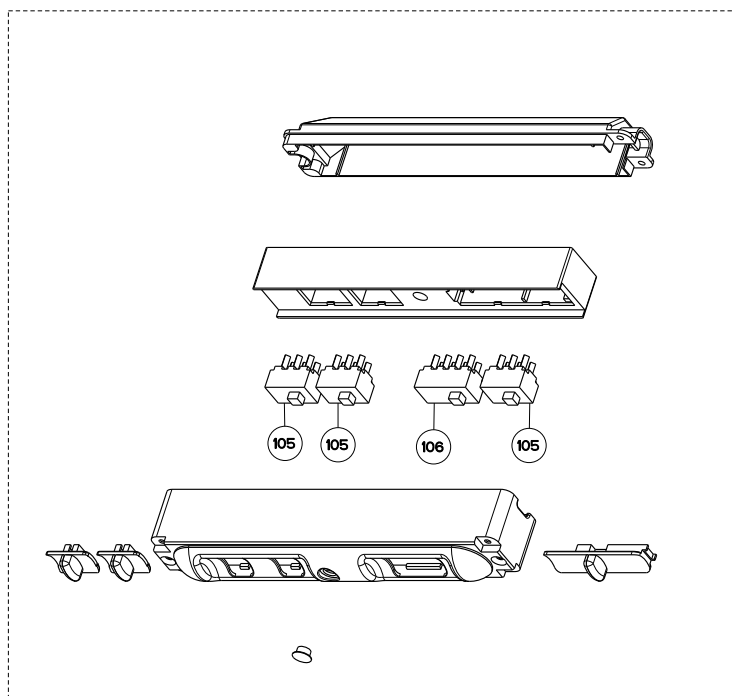
## body components



|     | Model Number              | 630003930    | 630003638    | 630003639    |                     |
|-----|---------------------------|--------------|--------------|--------------|---------------------|
| Key | Description               | 24 Stainless | 30 Stainless | 36 Stainless | Qty Req.            |
| 5   | Grease filter             | 133.0018.482 | 133.0018.482 | 133.0018.482 | 24"=2, 30"=2, 36"=3 |
| 7   | Halogen Lamp              | 133.0046.418 | 133.0046.418 | 133.0046.418 | 24"=2, 30,36"= 3    |
| 8   | Lamp holder               | 133.0065.409 | 133.0065.409 | 133.0065.409 | 24"=2, 30"=3, 36"=3 |
| 37  | Transformer kit           | 133.0053.047 | 133.0053.047 | 133.0053.047 | 1                   |
| 45  | Damper                    | 133.0055.994 | 133.0055.994 | 133.0055.994 | 1                   |
| 50  | Mounting Kit Undercounter | 133.0084.482 | 133.0084.482 | 133.0084.482 | 1                   |

# MAGNUM

## switch & motor components



|     | Model Number               | 630003930    | 630003638    | 630003639    |          |
|-----|----------------------------|--------------|--------------|--------------|----------|
| Key | Description                | 24 Stainless | 30 Stainless | 36 Stainless | Qty Req. |
| 101 | Switchboard kit            | 133.0172.187 | 133.0172.187 | 133.0172.187 | 1        |
| 105 | On / Off switch            | 133.0054.536 | 133.0054.536 | 133.0054.536 | 2        |
| 106 | Motor speed switch         | 133.0054.538 | 133.0054.538 | 133.0054.538 | 1        |
| 303 | Capacitor                  | 133.0060.648 | 133.0060.648 | 133.0060.648 | 1        |
| 303 | Capacitor (S - W Serial #) | 133.0056.000 | 133.0056.000 | 133.0056.000 | 1        |
| 399 | Motor group                | 133.0055.998 | 133.0055.998 | 133.0055.998 | 1        |