

Maestrale Pro

a professional performer

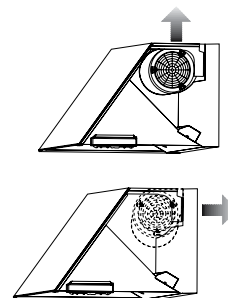
Professional Collection

- wall canopy rangehood
- professional styling
- Two chimney options
- 600 cfm Pro motor for 30, 36, 42"
- 1200 cfm Pro motor for 48"
- 3 halogen lights for 30", 36", 42"
- 4 halogen lights for 48"
- 3 speed slide control
- stainless steel baffle filters
- 2 (30"), 3 (36,42"), 4 (48") (filters)
- top or direct rear venting
- 6" round duct for 30" & 36"
- 2 - 6" round ducts for 48"



FABER

The new Maestrale range hood from Faber is a professional hood with a sense of style. With top or direct rear venting and multiple chimney options makes the Maestrale the most versatile and easy to install Pro hood on the market.



Size/Color/Model

30 Stainless	MAES30SS
36 Stainless	MAES36SS
42 Stainless	MAES42SS
48 Stainless	MAES48SS

Madison
Your Appliance Authority™
800-570-3355

a
c
c
e
s
s
o
r
i
e
s

Telescopic Chimney Cover
24" wide, extends to accommodate 8 - 9 foot ceilings

24 Stainless	TELEMAES
--------------	----------



Full Width Duct Cover
12" high, extends full width of the hood

30 Stainless	FULL30
36 Stainless	FULL36
42 Stainless	FULL42
48 Stainless	FULL48



Duct Transition Kit
For 48" model only, transitions two 6" openings to one 10" round opening

Galvanized Steel	TRNSPRO
------------------	---------

Replacement Charcoal Filters

For recirculating installations, high quality, heavy duty filters ensure the removal of smoke and odors from the kitchen.

FILTER1



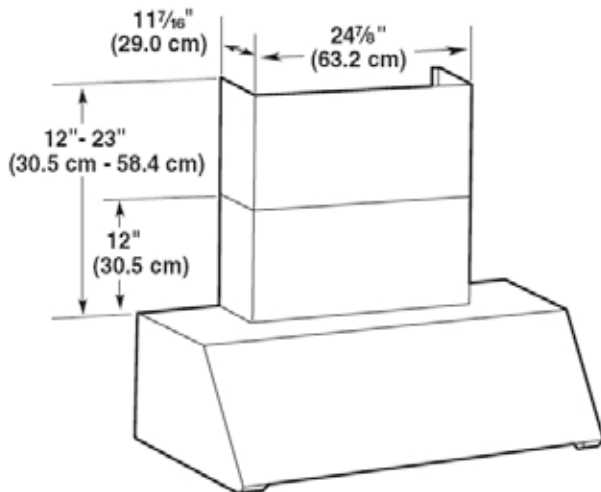
CFM Reducer Kit

For use in make up air environments where an under 300 cfm hood is required. This kit reduces the ducting to 5" round and reduces the cfm to under 300. **NOT FOR USE WITH 48" size hood**

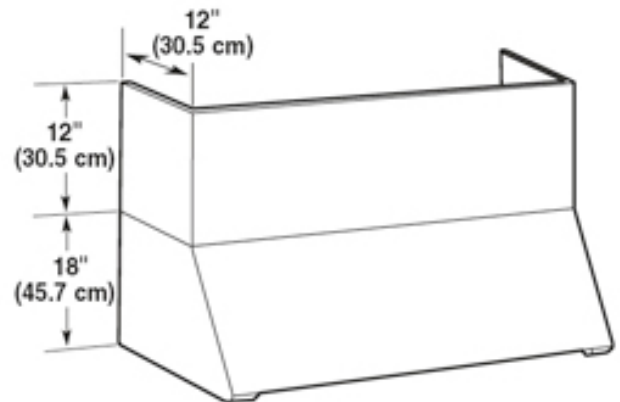
CFMRED



Dimensional Diagrams



WITH TELESCOPIC CHIMNEY KIT



WITH FULL WIDTH DUCT COVER

Pre-Planning Your Ductwork - Important: Consult the installation instructions before you begin installing this rangehood.

The Maestrle can be vented to the top or directly out the back. Make your ductrun as straight and short as possible. The ductrun should not exceed 35 equivalent feet if ducted with 6" round duct or 55 equivalent feet if ducted with 10" round ductwork (for 48" model only). Count 45° angles as 3 feet, 90° elbows as 5 feet, and 90° flat elbows as 12 feet.

For best results, use no more than three 90° elbows. Make sure that there is a minimum of 24" of straight duct between elbows if more than one is used. Do not install two elbows together. If you must elbow right away, do it as far away from the hood's exhaust opening as possible.

