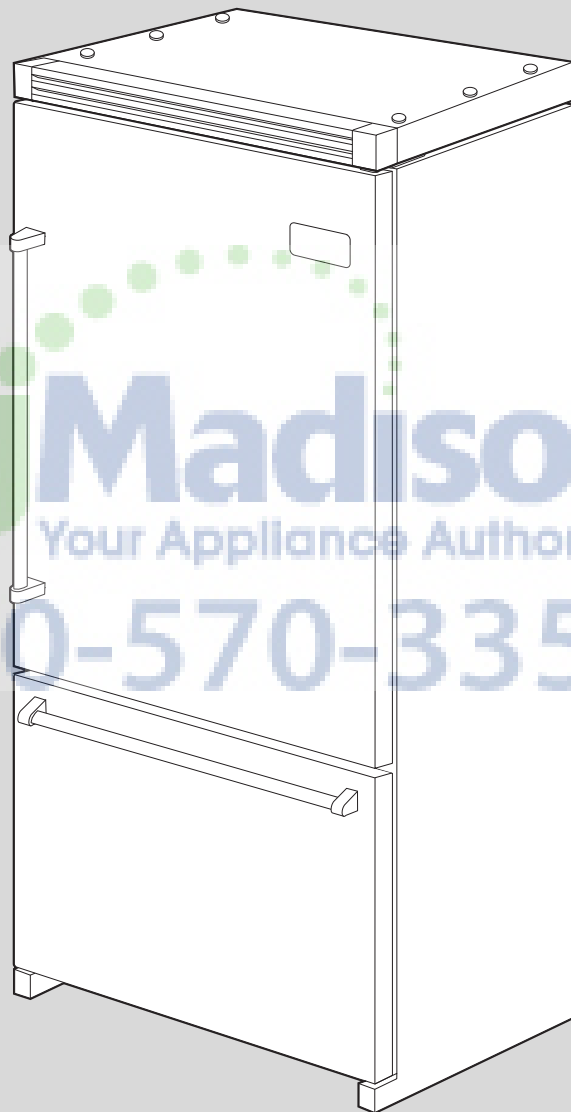


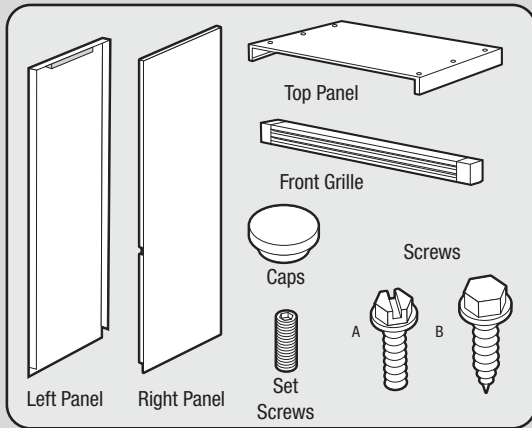
Viking Installation Guide



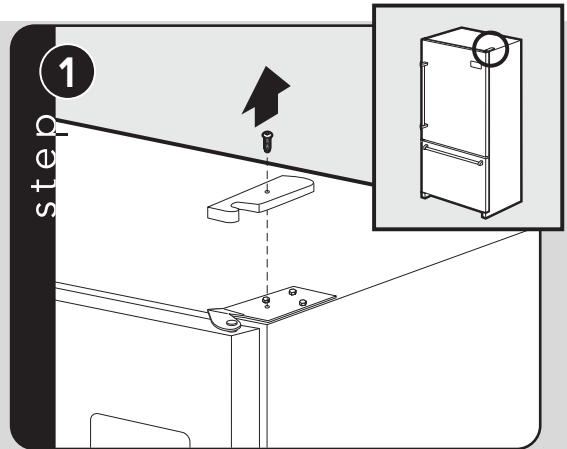
Aj Madison
Your Appliance Authority™
800-570-3355

Free-Standing Side Panel,
Top Panel and Grille Installation

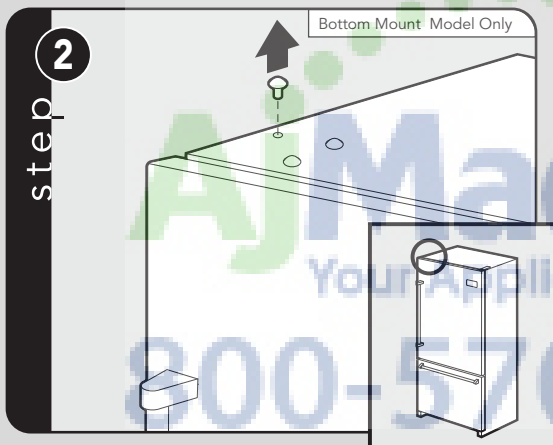
Installation



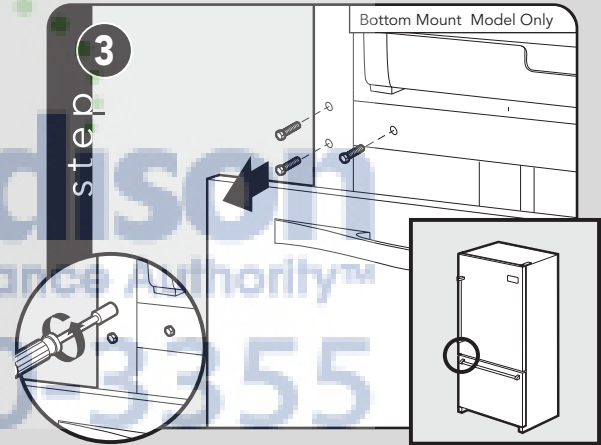
Required Components



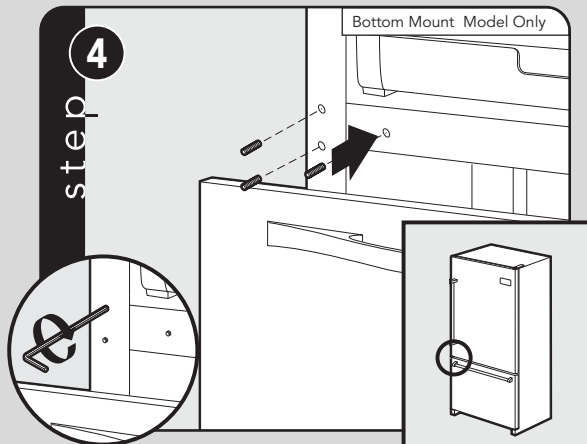
Remove and discard screw and hinge cover.
(Repeat if two hinges are used.)



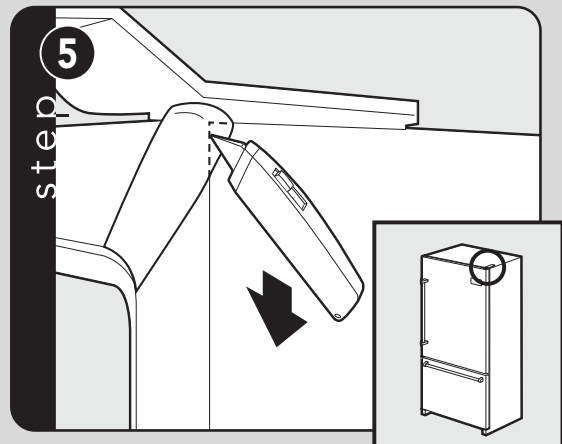
Remove and discard plug button from hole on non-hinge side.



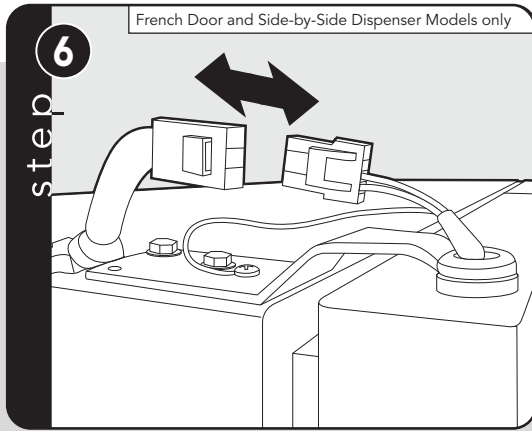
Remove three screws from mullion area opposite the center hinge.



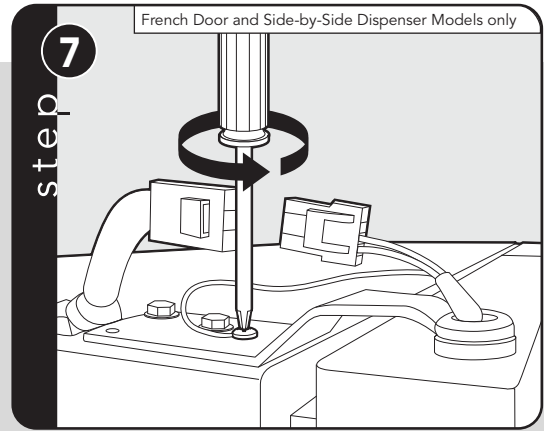
Install set screws from bag into holes from previous step.



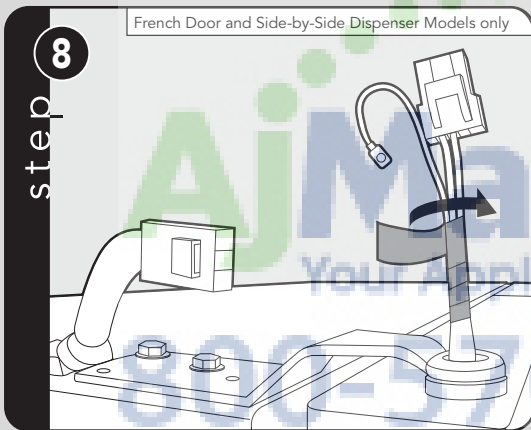
Remove edge of corner cover.



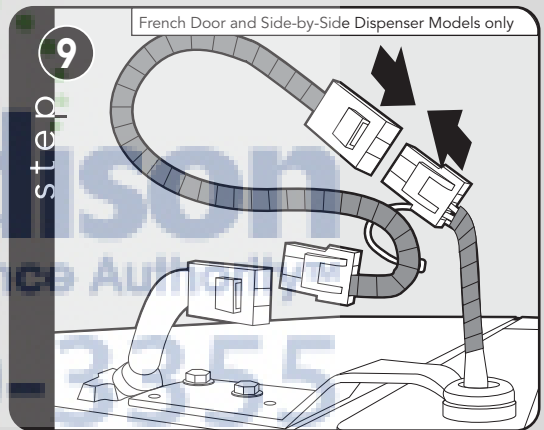
Unplug harnesses on door.



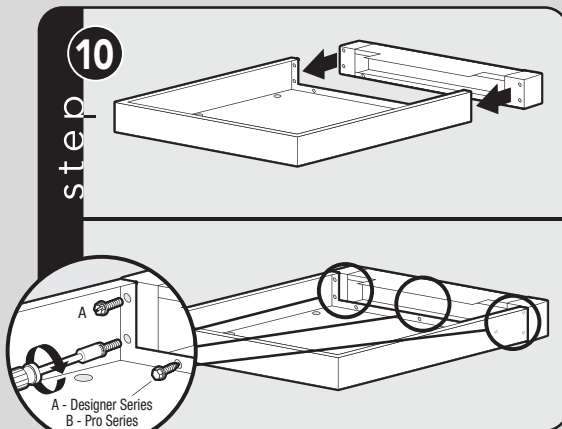
Remove ground screw from hinge on door. Hold for replacement.



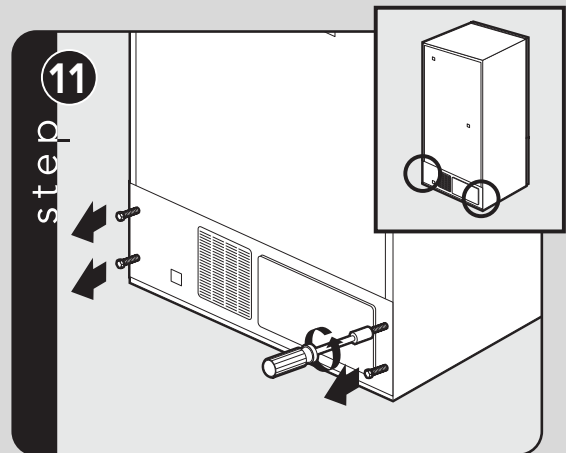
Apply electrical tape to harnesses and ground wire coming from door.



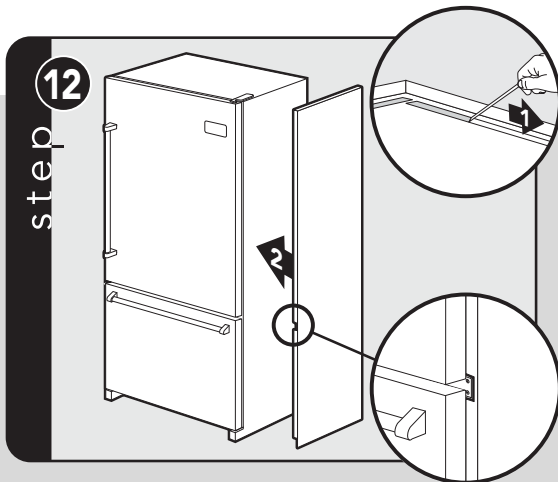
Plug in proper harness kit to the harness extension coming from the door.



With top panel and grille upside down, position grille assembly in front of top panel. Secure top panel to grille assembly via four outer holes and three inner holes.

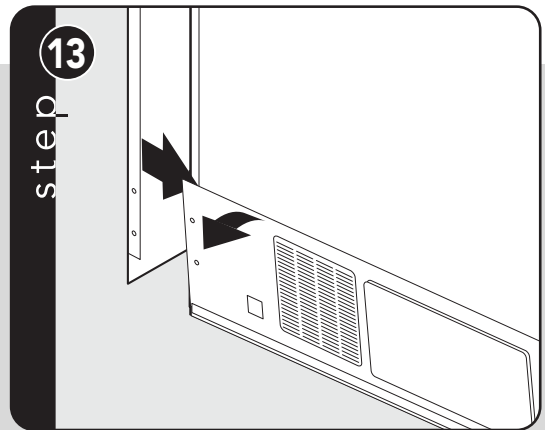


Remove screws on lower back machine cover. Hold for replacement.



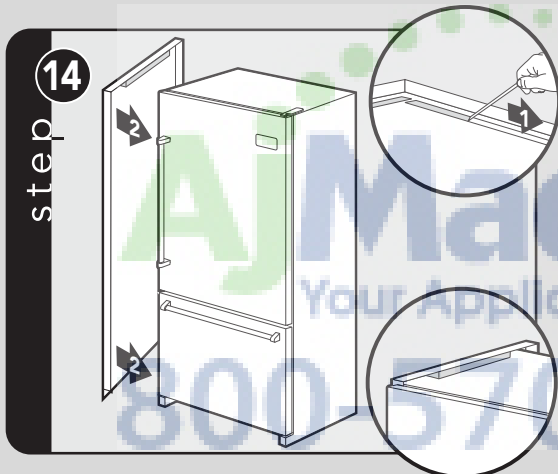
step 12

Remove adhesive backing from the side panel. Fit the side panel to the front of the unit first. With a center hinge, the side panel will have a cutout.



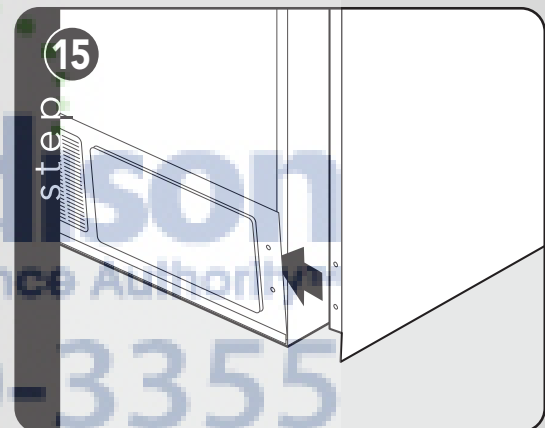
step 13

Pull the machine cover off and slip back of side panel between refrigerator cabinet and machine cover. Install machine cover screws back into refrigerator cabinet. NOTE: The holes on the side panel are clearance holes.



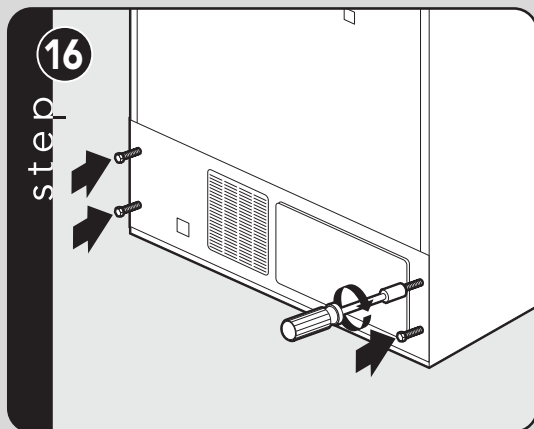
step 14

Remove adhesive backing from other side panel. Fit the side panel to the front of the unit first. Spacer on top of side panel needs to sit on top of refrigerator cabinet.



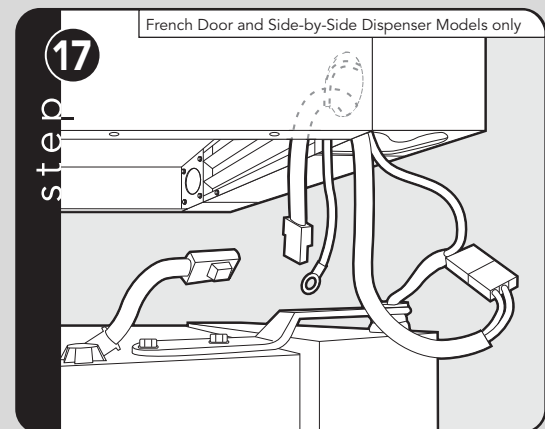
step 15

Pull the machine cover and slip back of side panel between refrigerator cabinet and machine cover. Install machine cover screws back into refrigerator cabinet. NOTE: The holes on the side panel are clearance holes.



step 16

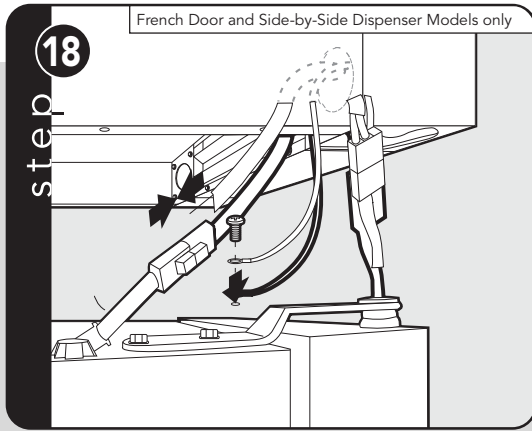
Install machine cover screws back into refrigerator cabinet. NOTE: The holes on the side panel are clearance holes.



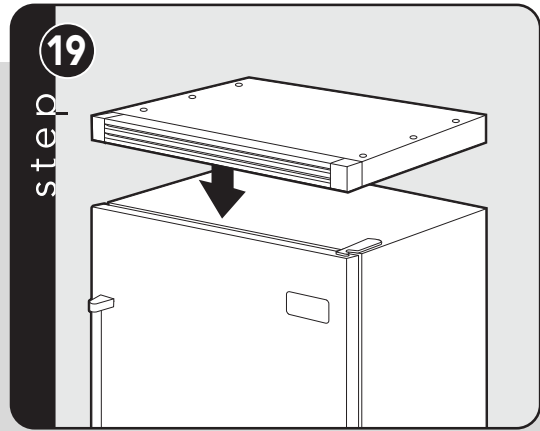
step 17

French Door and Side-by-Side Dispenser Models only

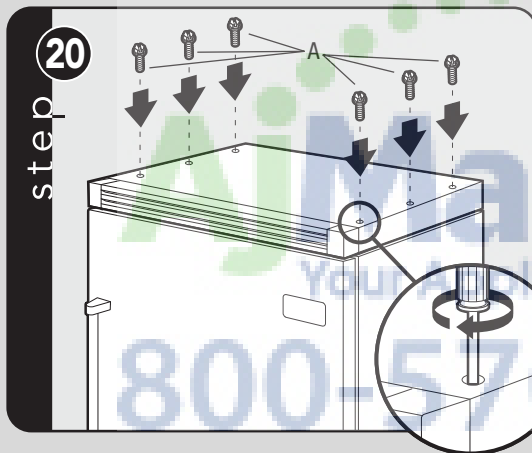
Feed wire harness and ground wire through the bottom of the endcap and out through the hole in the rear of the grille.



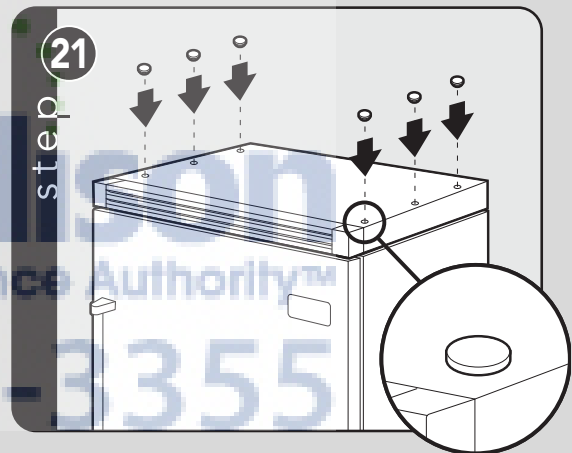
Connect wire harness to wire harness extension in cabinet. Connect ground screw. Secure wire harness to top of the cabinet with a piece of tape.



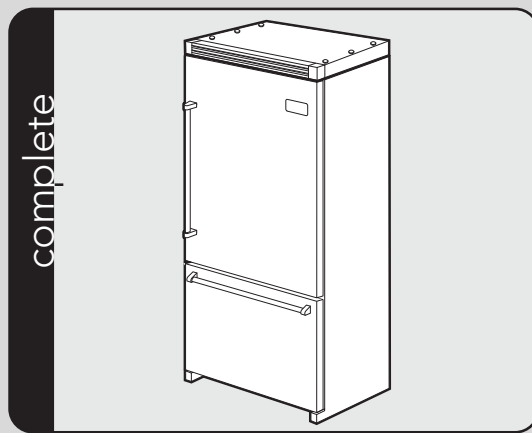
Align top panel and grille assembly to front door and position top panel and grille on top of unit.



Insert screws through holes of top panel into side panel.



Insert cap covers into holes.









Viking Range Corporation

111 Front Street

Greenwood, Mississippi 38930 USA

(662) 455-1200

For product information,

call 1-888-VIKING1 (845-4641)

or visit the Viking Web site at

vikingrange.com