

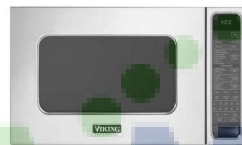


## Standard Features & Accessories

### Both ovens include

- Capacity—1.5 cu. ft. interior cavity
  - 16-1/8"W. x 9-5/8"H. x 16-1/8"D.
  - 15-3/8" diameter turntable
- Commercial-type styling and design
- Instant sensor settings for cooking, reheating, and popping popcorn
- Four convection settings use high-speed fan that circulates air past the heat source and around the food; allows multiple-rack baking
  - ConvecBroil
  - ConvecRoast
  - ConvecBake
  - Manual convection
- Low Mix Bake and High Mix Roast settings offer use of convection heat to seal and brown outside of foods while using microwave energy to ensure the interior is cooked
- Add-A-Minute allows you to add a minute of extra cooking time with the touch of one button
- Child Lock safety feature locks the control panel to prevent unwanted operation
- Cookbook included
- Interior light
- Suitable for placement on counter-top, or installed as a built-in using a trim kit. (Trim kits sold separately—see **Installation Notes & Accessories** for part numbers.)

## Model Options



VMOC206  
Professional Custom  
Convection Microwave Oven



VMOC206\*  
w/Trim Kit

### FINISH DETAILS FOR PROFESSIONAL MODEL

- Stainless Steel (SS), Black (BK), White (WH), Metallic Silver (MS), Graphite Gray (GG), Stone Gray (SG), Taupe (TP), Biscuit (BT), Cotton White (CW), Oyster Gray (OG), Golden Mist (GM), Lemonade (LE), Sage (SA), Mint Julep (MJ), Sea Glass (SE), Iridescent Blue (IB), Viking Blue (VB), Pumpkin (PM), Racing Red (RR), Apple Red (AR), Burgundy (BU), Plum (PL), Chocolate (CH), and Cobalt Blue (CB).

\*Shown with trim kit. See **Installation Notes & Accessories** for details.

### ORDERING INSTRUCTIONS

First specify model number, and then color code (VMOC206SS).




**Professional Custom Convection Microwave Oven**

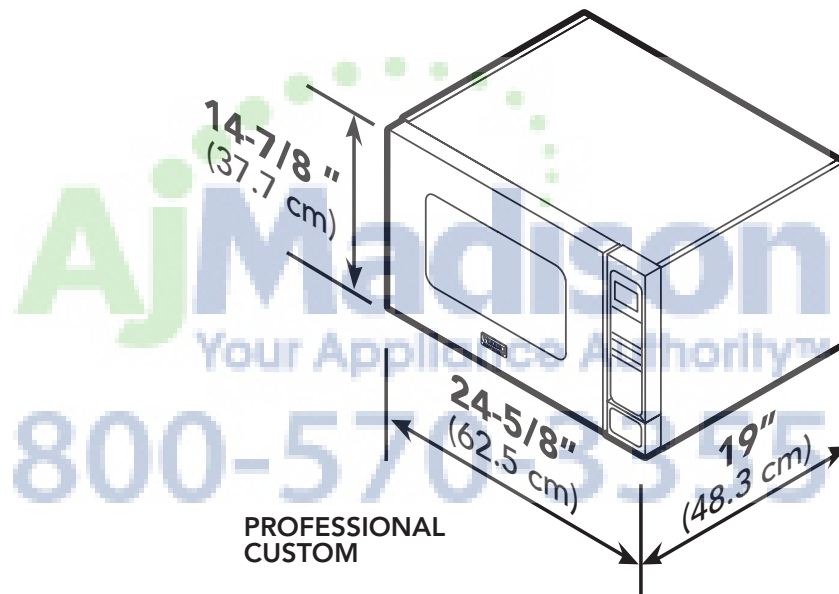
★ Please see **Installation Notes and Accessories** for important information, including trim kits.

**Dimensions & Specifications**
**PRODUCT DIMENSIONS**


**VMOC206**  
Professional Custom  
Convection Microwave Oven



**VMOC206**  
w/Trim Kit



All models	
Overall width	<b>24-5/8" (62.5 cm)</b>
Overall height (from bottom)	<b>14-7/8" (37.7 cm)</b>
Overall depth (from rear)	<b>19" (48.3 cm)</b>
Interior (each oven)	
Width	<b>16-1/8" (40.9 cm)</b>
Height	<b>9-5/8" (24.4 cm)</b>
Depth	<b>16-1/8" (40.9 cm)</b>
Approx. ship weight	<b>60 lbs. (27.2 kg)</b>


**Professional Custom Convection Microwave Oven**
**UTILITY REQUIREMENTS**

**GAS**

- Not applicable


**ELECTRICAL**

- 3.5-foot power cord included
- 120 VAC/60 Hz
- Maximum amp usage—  
13 (1.55 kW)


**PLUMBING**

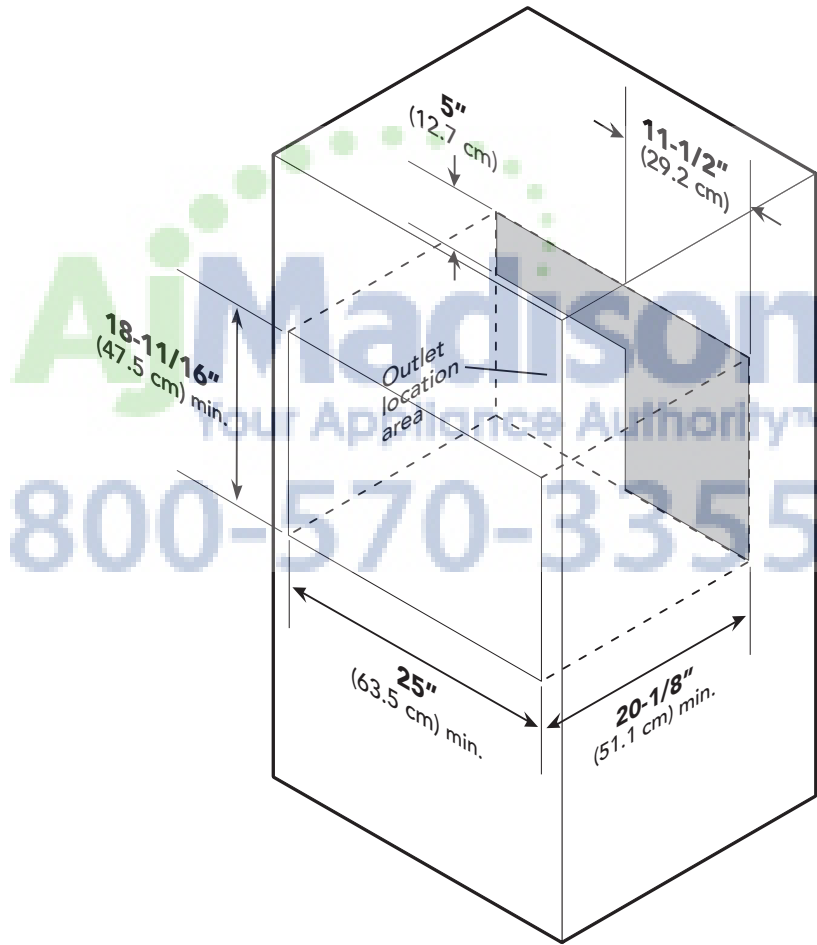
- Not applicable

**Installation Requirements**
**ACCESS REQUIREMENTS**


**VMOC206**  
Professional Custom  
Convection Microwave Oven



**VMOC206**  
w/Trim Kit



AjMadison  
Your Appliance Authority™  
800-570-3355

All Models	
Cutout width	<b>25" (63.5 cm) min.</b>
Cutout height	<b>18-11/16" (47.5 cm) min.</b>
Cutout depth	<b>20-1/8" (51.1 cm) min.</b>



## ✦ Installation Notes & Accessories

### Built-In Trim Kits

- Stainless Steel (SS)
- Designed to match with corresponding ovens and warming drawers
- Trim gives finished look to ovens installed as built-in units
- Kit includes frame assemblies, exhaust duct assembly, and metal fasteners

Model	Description	Approx. ship wt. lbs. (kg)
VMTK277	26-1/2"W./19-13/16"H. Professional microwave trim	14 (6.5)
VMTK307	29-1/2"W./19-13/16"H. Professional microwave trim	15 (6.9)
VMTK367	35-1/4"W./19-13/16"H. Professional microwave trim	16 (7.2)



### Compliance Information



### WARRANTY INFORMATION\*

- Three-year full warranty—complete product (Professional Series)
- One-year full warranty—complete product (Designer Series)
- Five-year limited warranty—magnetron tube (Professional and Designer)
- Ninety-day limited warranty—cosmetic parts such as glass, painted, and decorative items (Professional and Designer)

\*For complete warranty see *Use & Care Guide*. Warranty valid on Viking products shipped within the United States and Canada.

